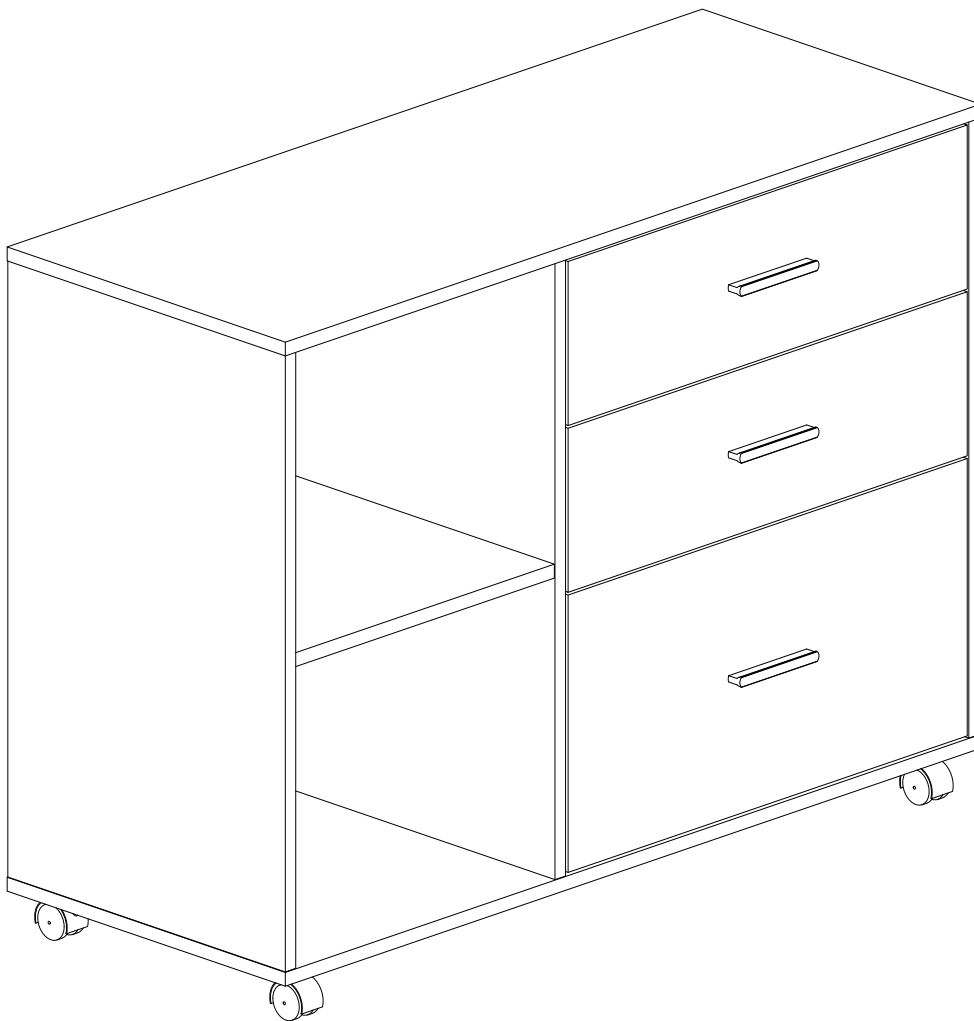


Assembly Instructions

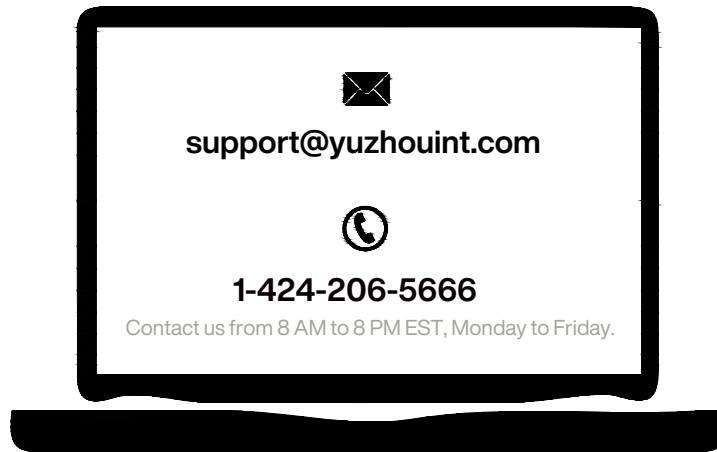


File Cabinet

Model No.
HOGA-F2383-B

Contact Us

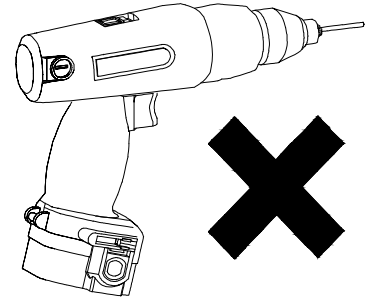
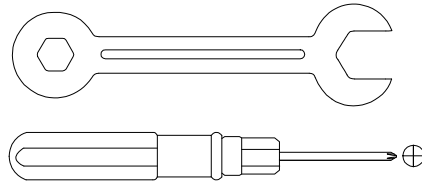
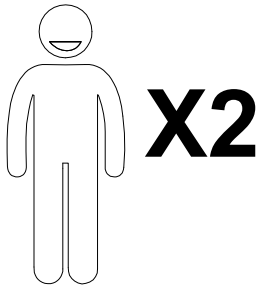
We're here to help you.



Your satisfaction is our top priority. If you encounter any issues with this product, such as missing or damaged parts, we're here to help. Please retain the original packaging and take photos of the packaging and the product, then contact us as soon as possible.

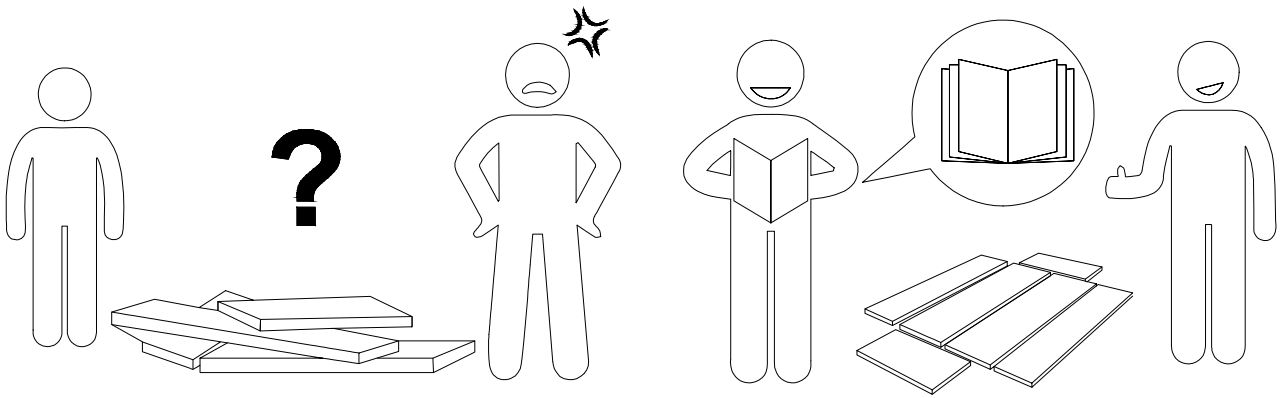
Warm Tips

1. Carefully read these instructions and keep them for future reference.
2. Check the parts list and confirm everything's there before starting assembly.
3. When assembling, put all parts on a soft, smooth surface like a carpet to avoid scratches.
4. Don't fully tighten screws until all parts are confirmed in place to avoid misalignment.



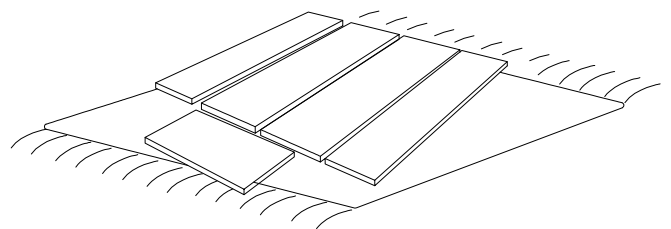
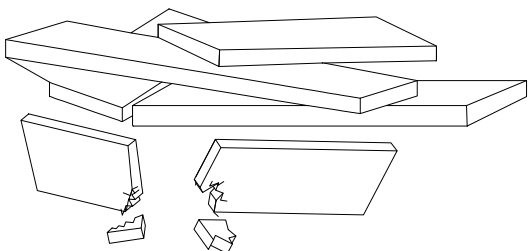
We recommend using hand tools for assembly.

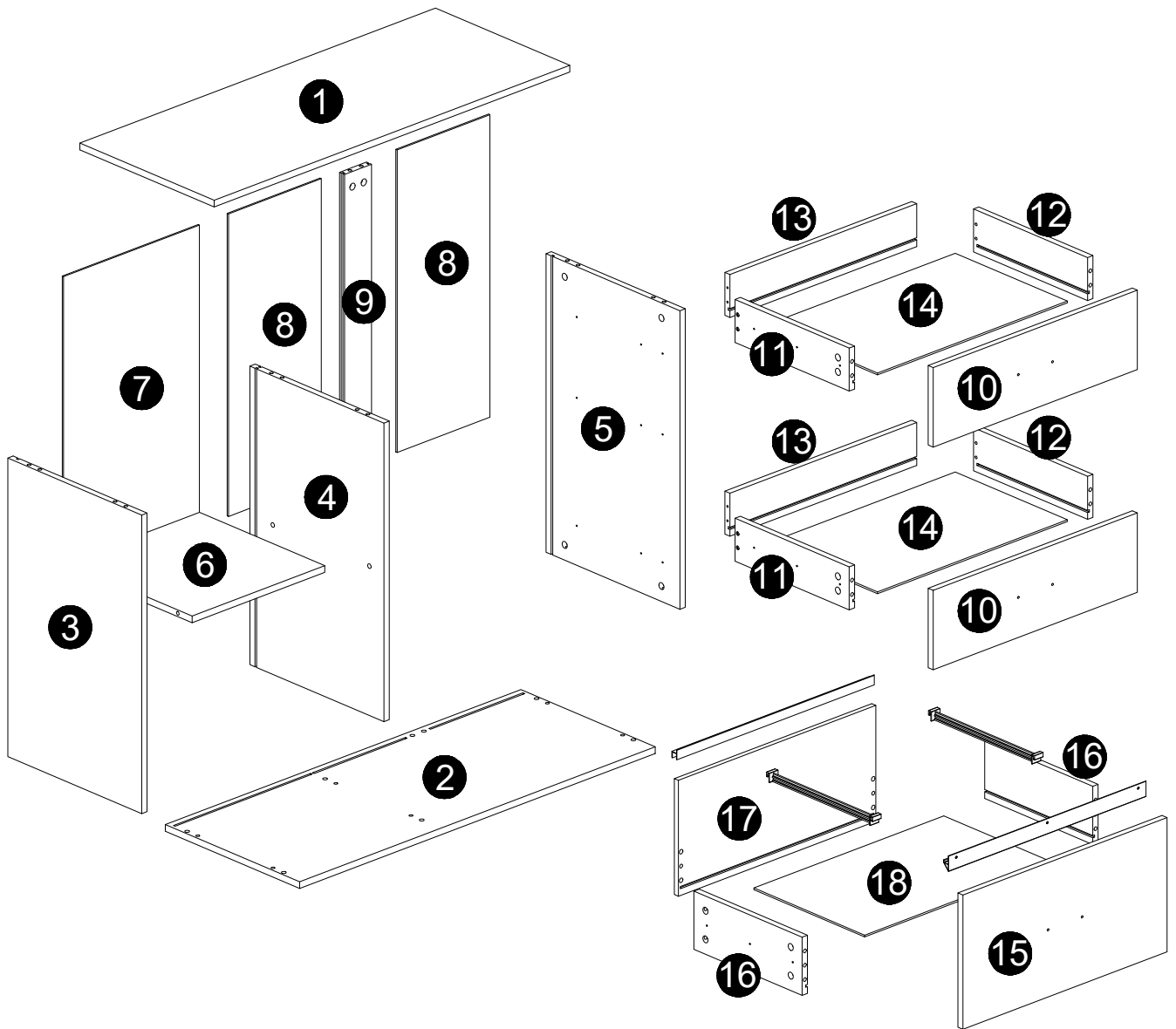
If an electric screwdriver is used, reduce power and torque to avoid damage to the product.



AVOID SCRATCHES

In order to avoid scratching, this furniture should be assembled on a soft surface, such as a rug.

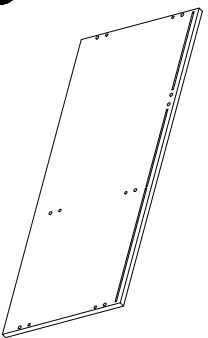
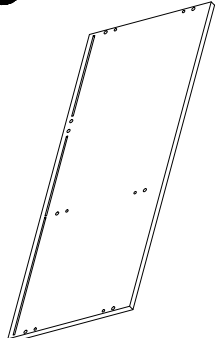
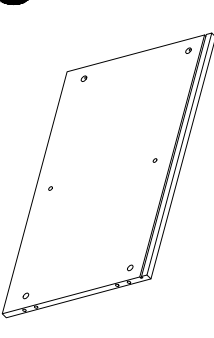
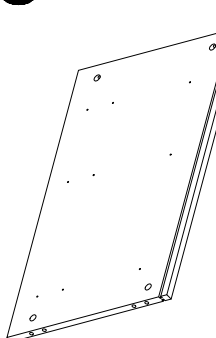
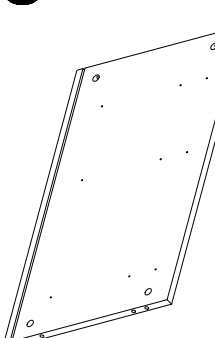
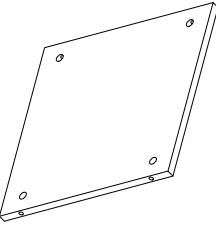
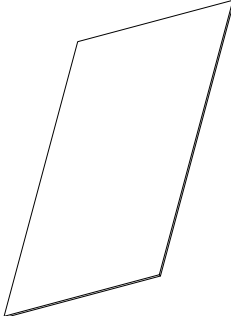
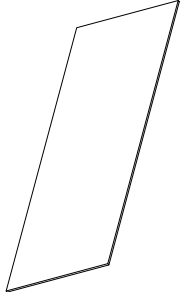
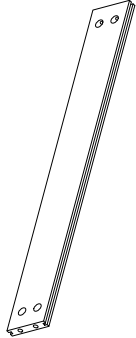
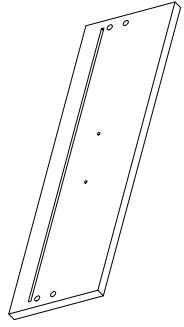
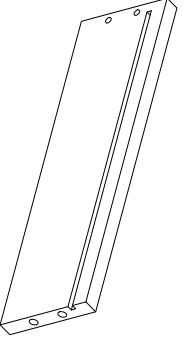
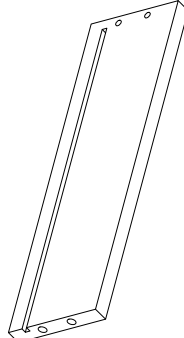
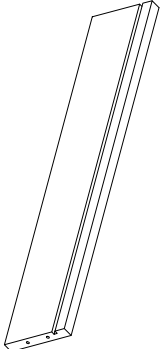
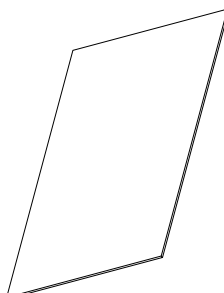
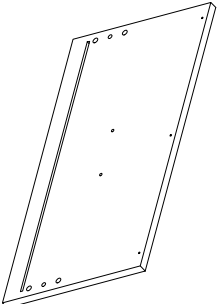
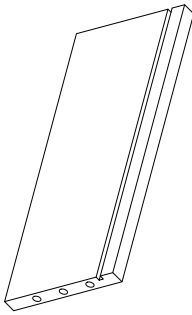
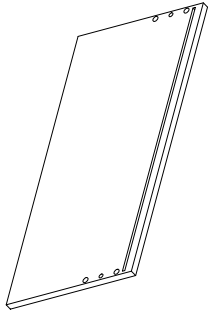
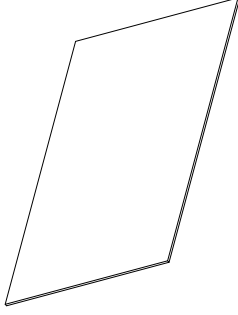




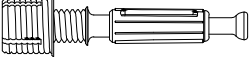
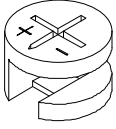

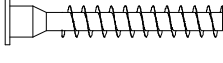
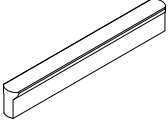
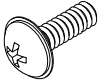
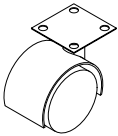
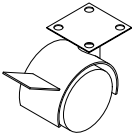
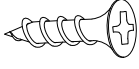
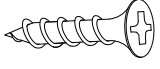
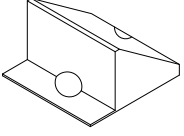


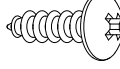

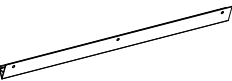

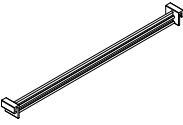
⚠ Caution

Make sure all parts are included. Most board parts are labeled or stamped on the raw edge. Contact us for a free replacement if you encounter any damaged or missing parts.

Parts List

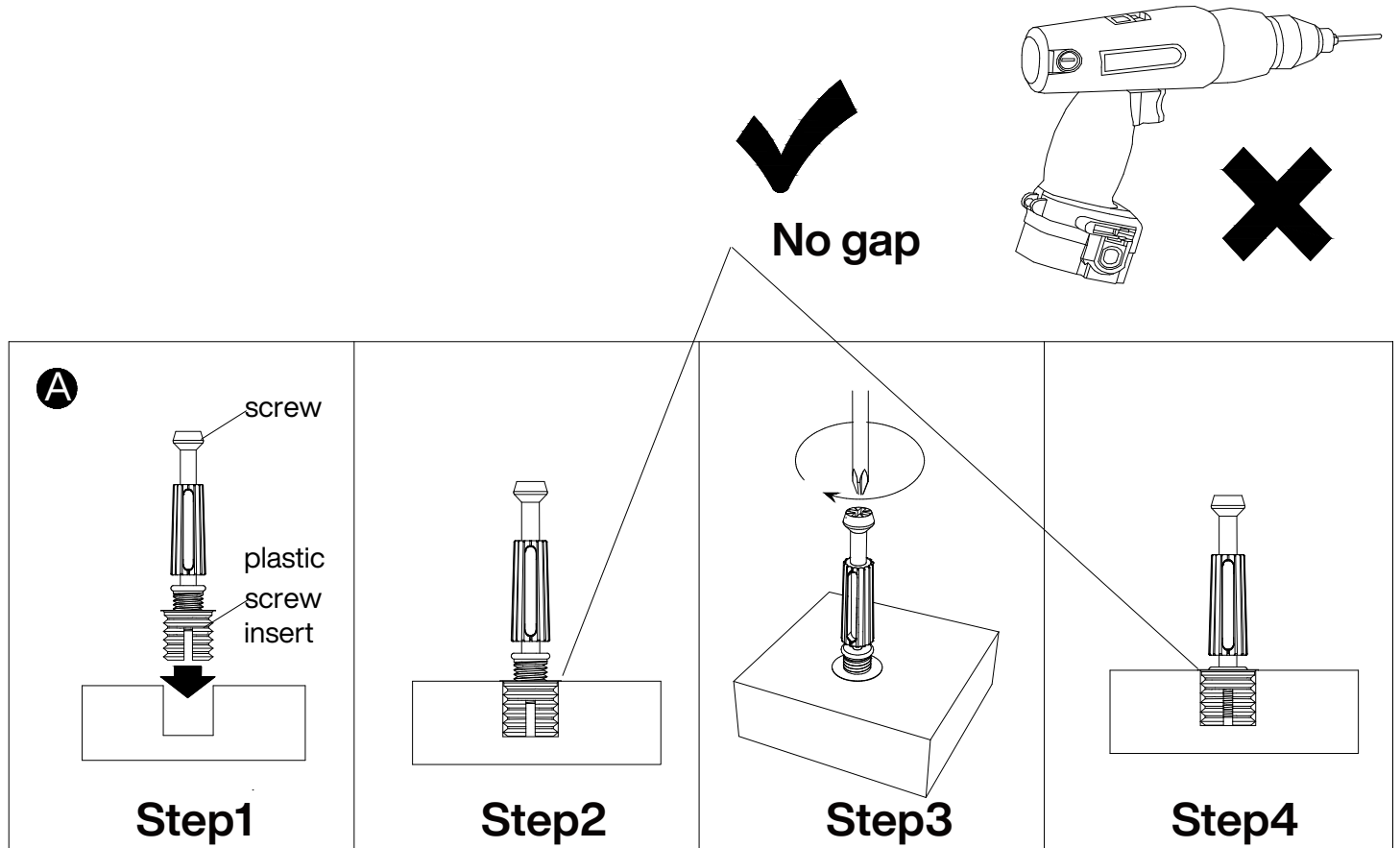
1  1 pc	2  1 pc	3  1 pc	4  1 pc	5  1 pc
6  1 pc	7  1 pc	8  2 pcs	9  1 pc	10  2 pcs
11  2 pcs	12  2 pcs	13  2 pcs	14  2 pcs	15  1 pc
16  2 pcs	17  1 pc	18  1 pc		

Hardware List

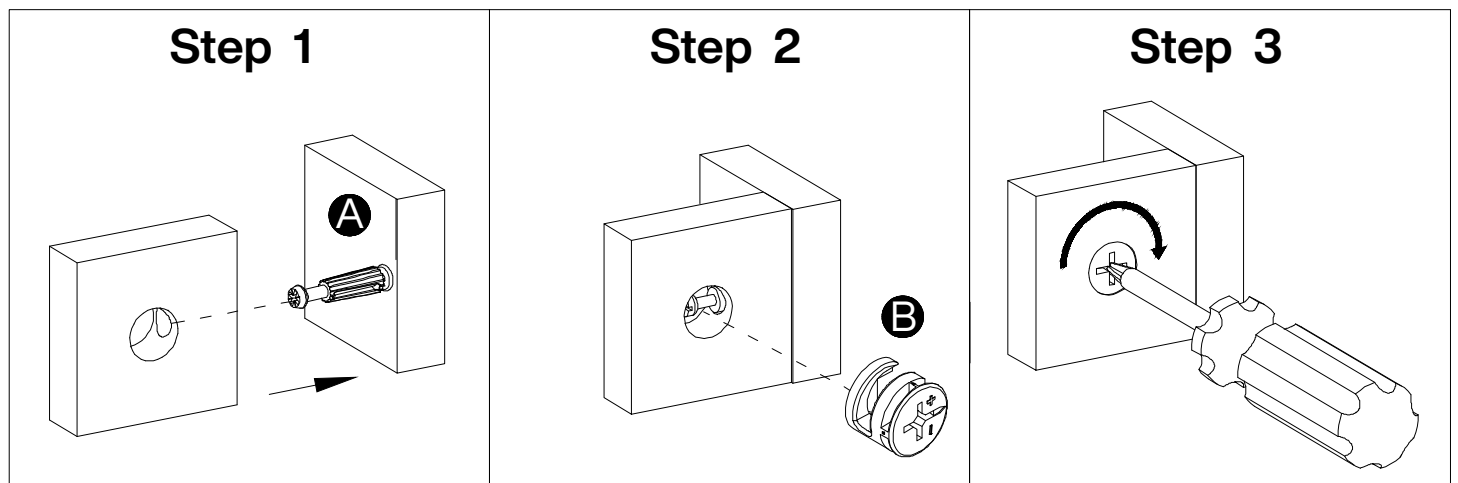
A	B	C	D	E
 Ø6x40mm 36 pcs	 Ø15x12mm 36 pcs	 Ø7.8x30mm 16 pcs	 Ø5x40mm 8 pcs	 114x11x17mm 3 pcs
F	G	H	I	J
 M4x18mm 6 pcs	 H53mm 3 pcs	 H53mm 2 pcs	 Ø3.5x14mm 56 pcs	 Ø3x18mm 12 pcs
K	L	M	N	O
 17x16x10.5mm 12 pcs	 Ø21mm 8 pcs	 M3 1 pc	 Ø4x12mm 6 pcs	 340mm 3 sets
P	Q	R		
 555mm 1 pc	 555mm 1 pc	 317mm 2 pcs		

Installation of Cams and Pins

Step 1-2: Align the plastic part with the mounting hole and press it in. If you can't press it in, loosen the screw counter clockwise or completely remove the screw from the plastic part and try again.
Step 3-4: After pressing the plastic part into place, use a screwdriver to tighten the screw clockwise.



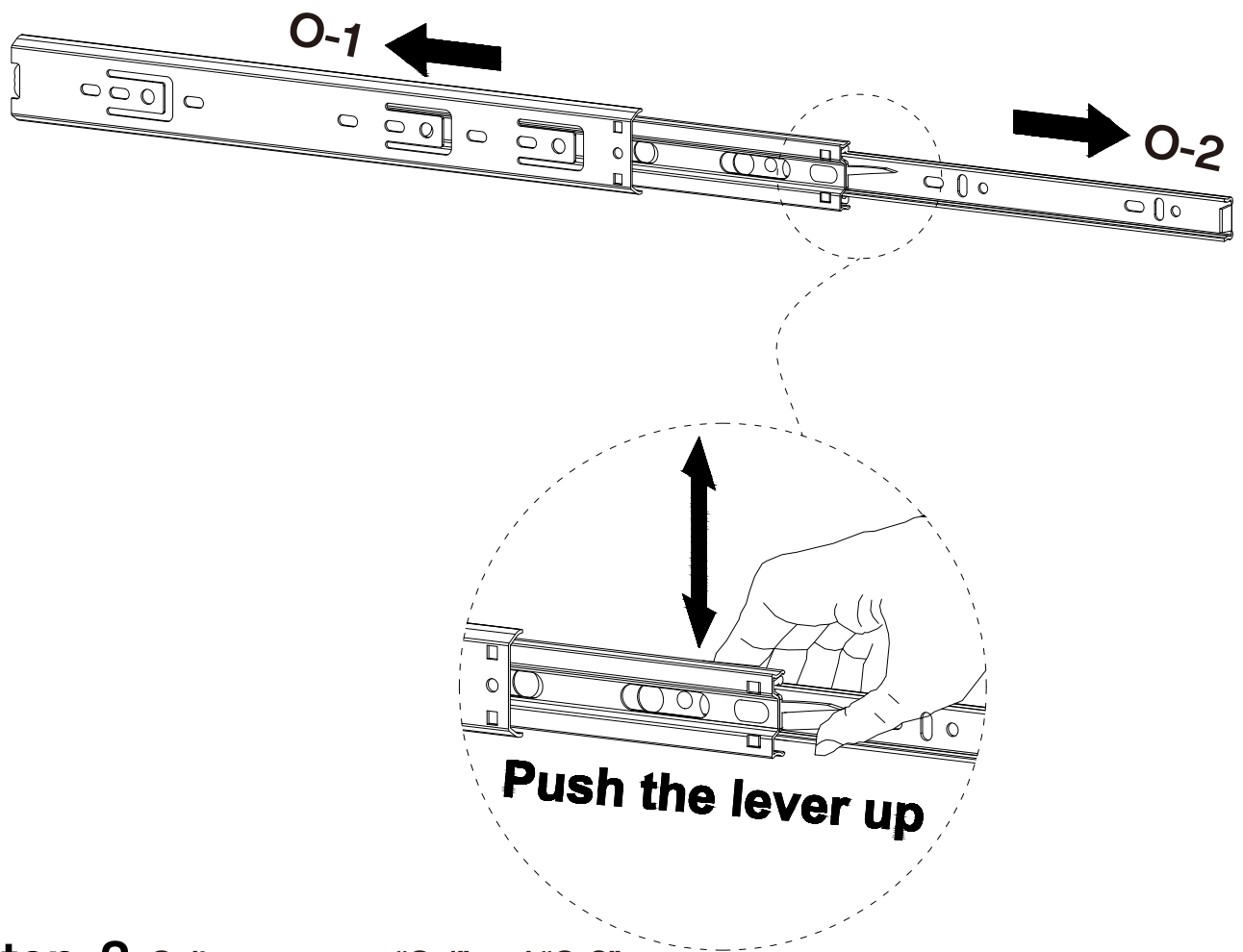
Screw the pin into the hole. Set the cams correctly by aligning the head of the cams with the lock pins. Lock the cam by turning the cam head with a screwdriver until it is tightened. Please do not use an electric screwdriver to assemble the unit.



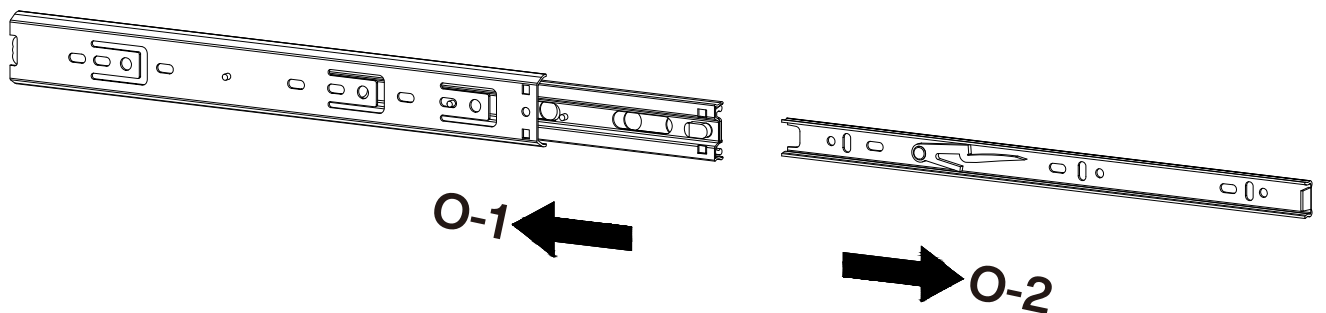
Please split component "O" into "O-1" and "O-2" before assembling the slide and then proceed to the next step of assembly

Step 1

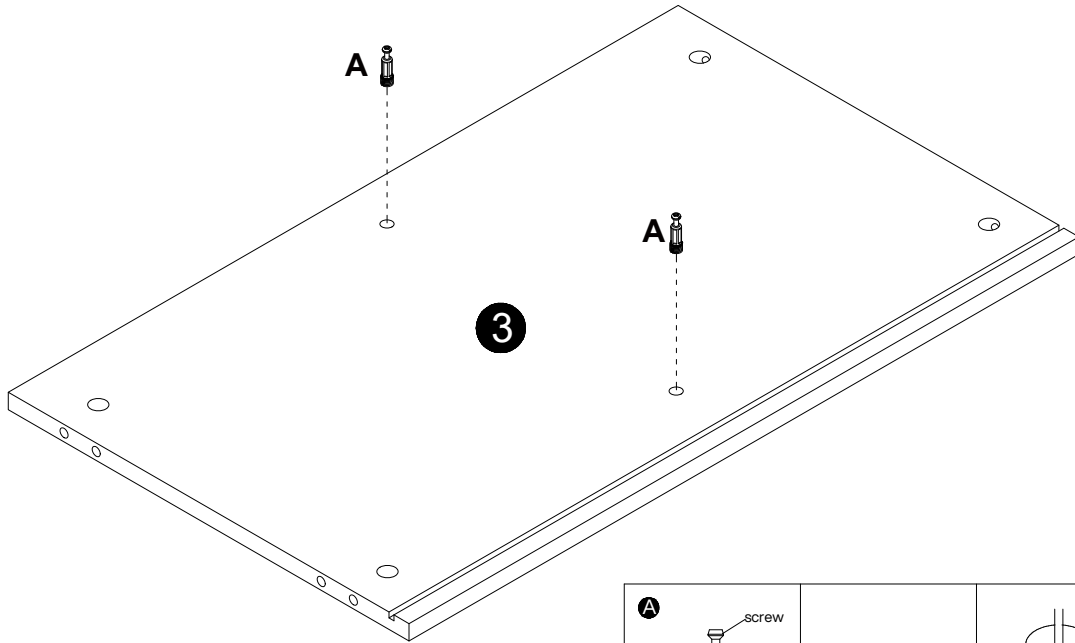
Pull apart component "O" to each side, and then gently push up the lever of component "O-2"




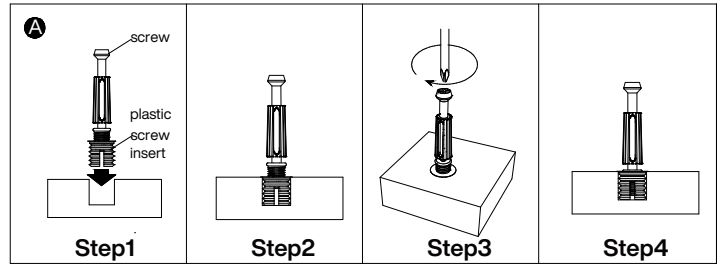
Step 2 Split component "O-1" and "O-2"



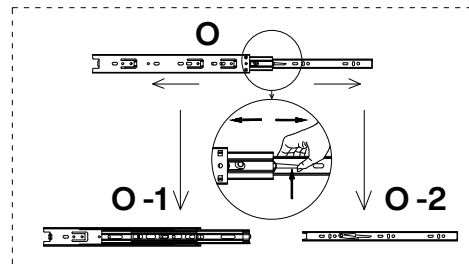
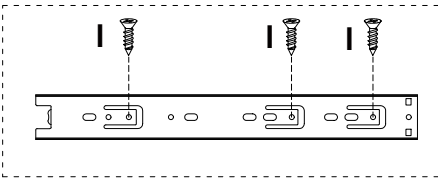
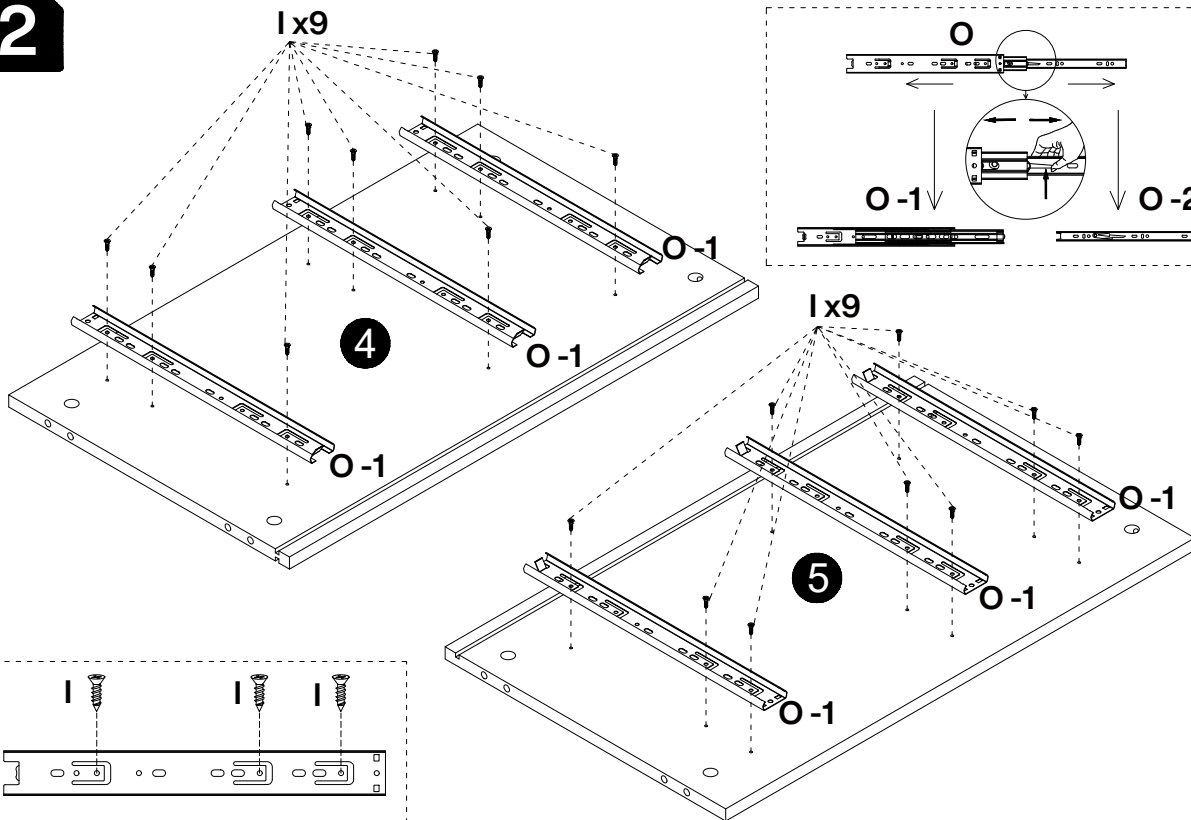
1





A

Ø6x40mm
2 pcs

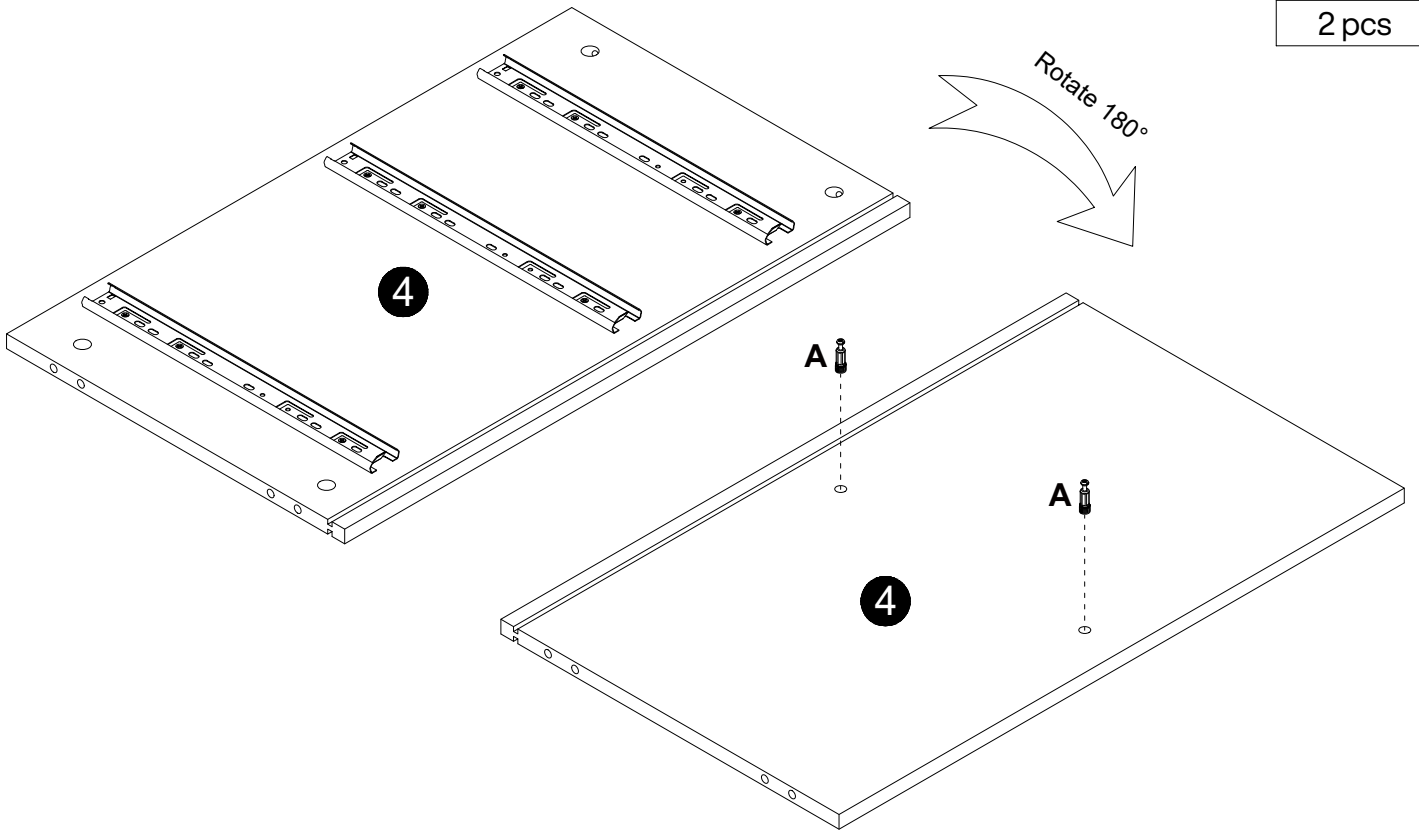


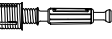
2



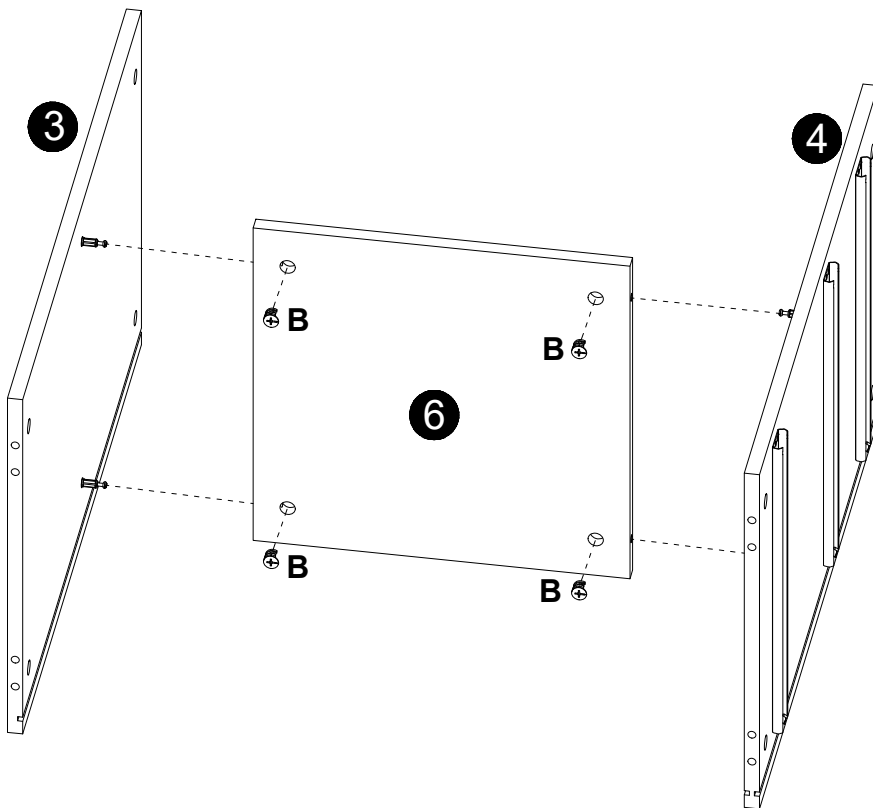
I

Ø3.5x14mm
18 pcs
O-1

340mm
6 pcs


3

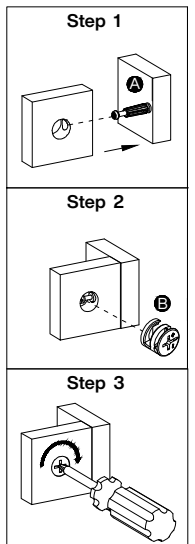


A

Ø6x40mm
2 pcs

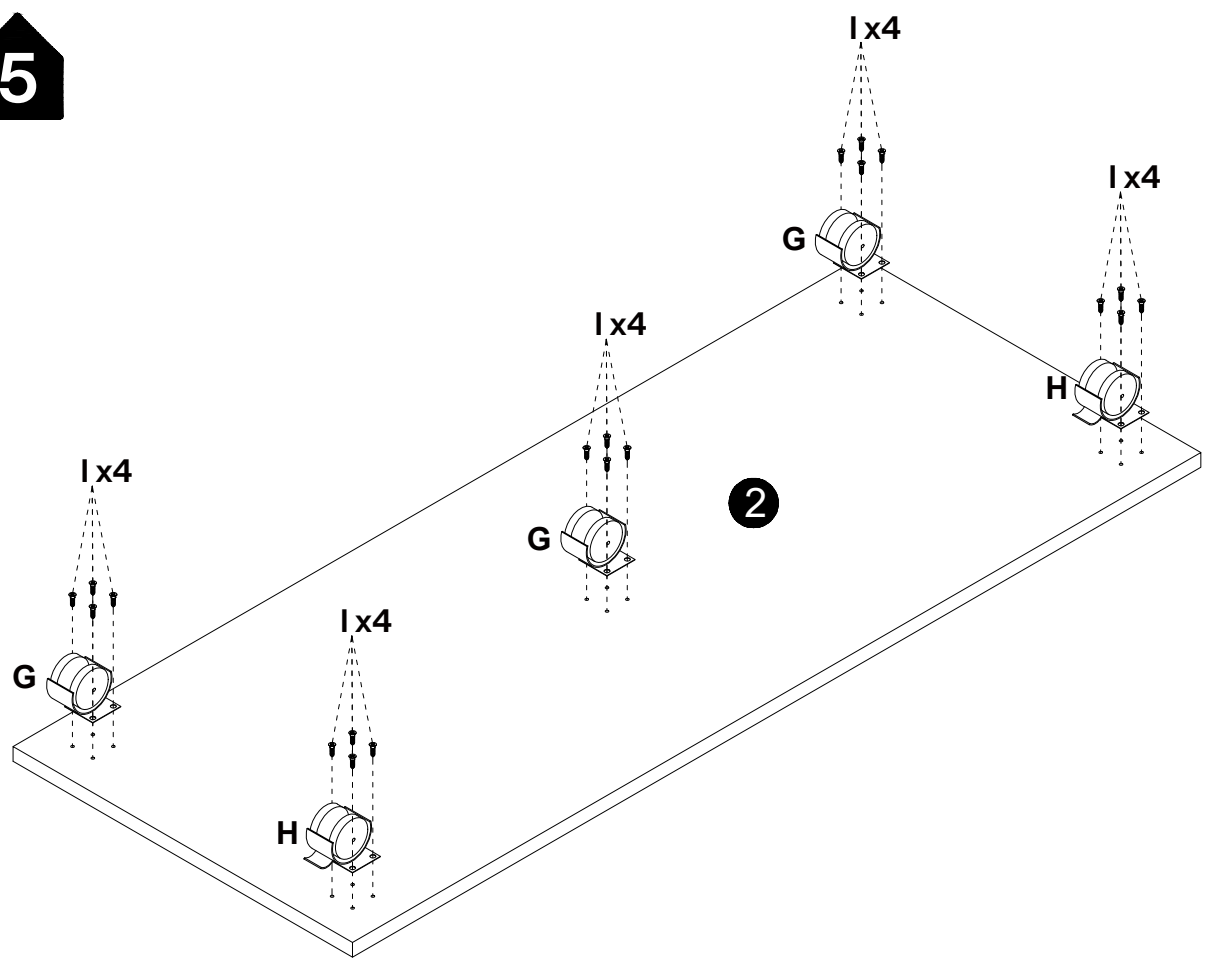
4


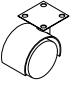
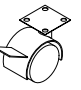


B

Ø15x12mm
4 pcs

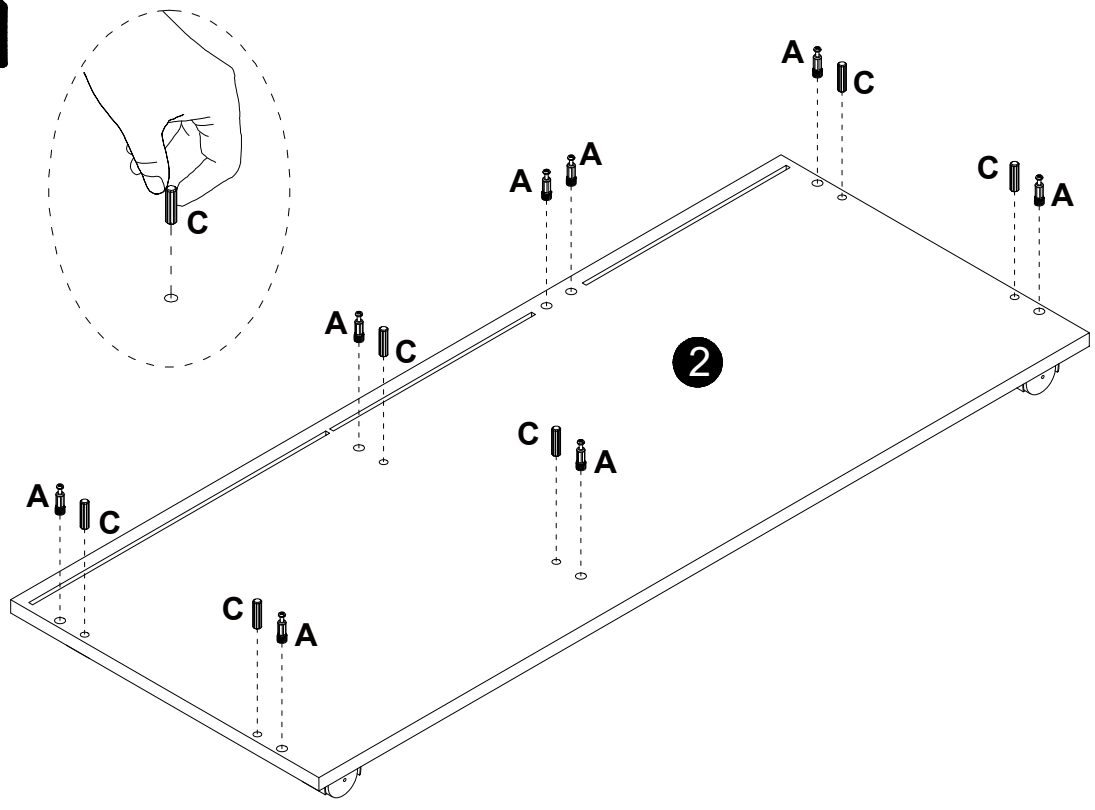




5



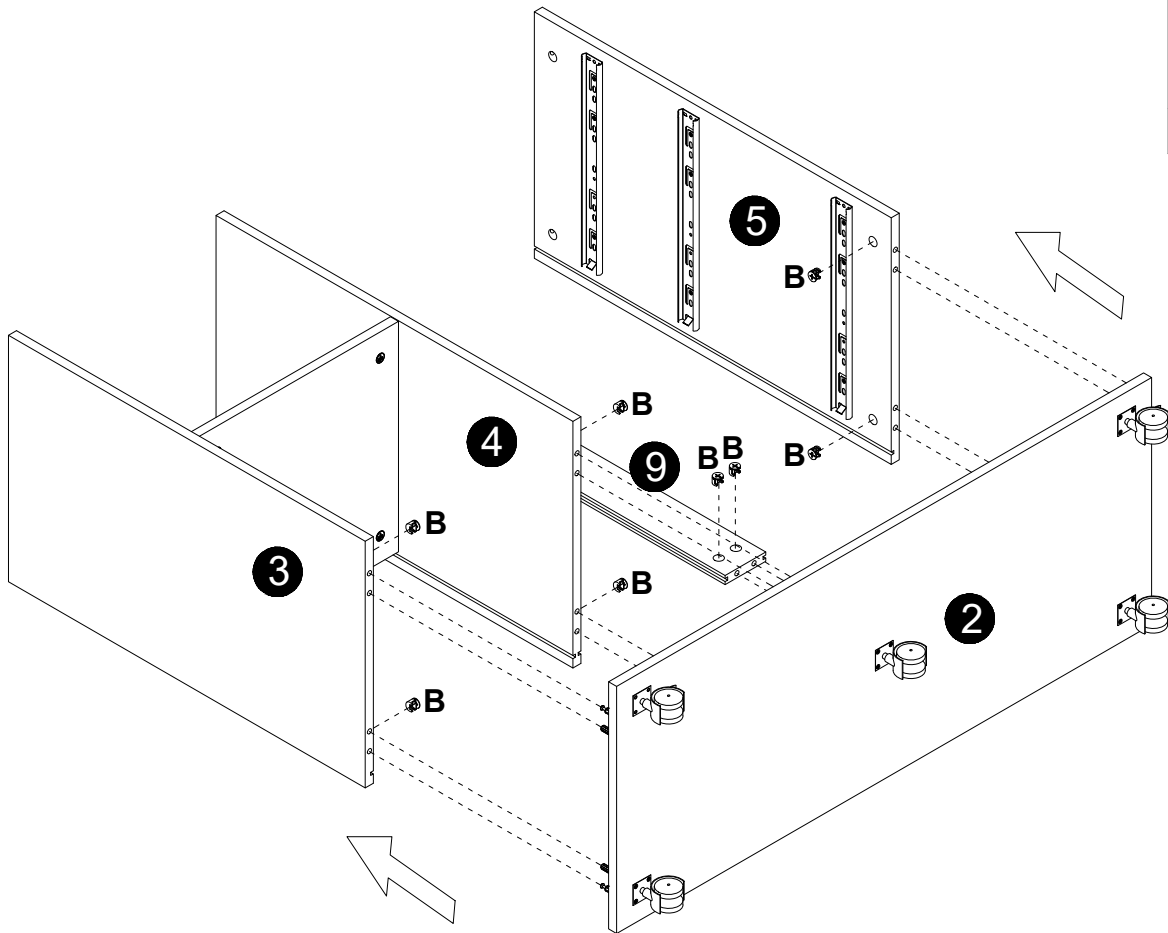
I

Ø3.5x14mm
20 pcs
G

H53mm
3 pcs
H

H53mm
2 pcs


6



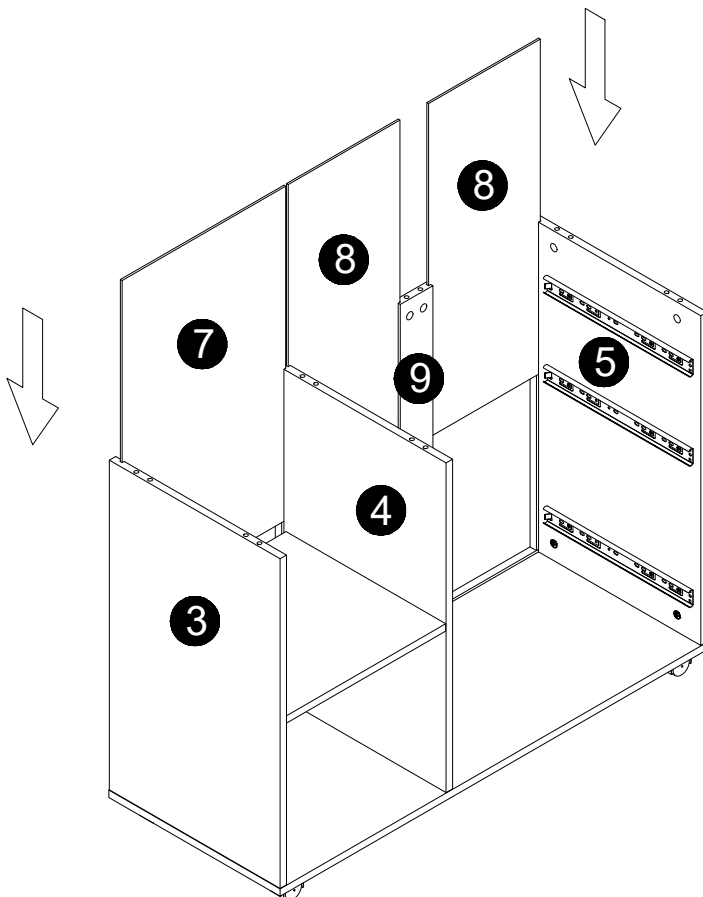
A

Ø6x40mm
8 pcs
C

Ø7.5x30mm
6 pcs

7

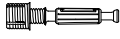
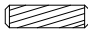


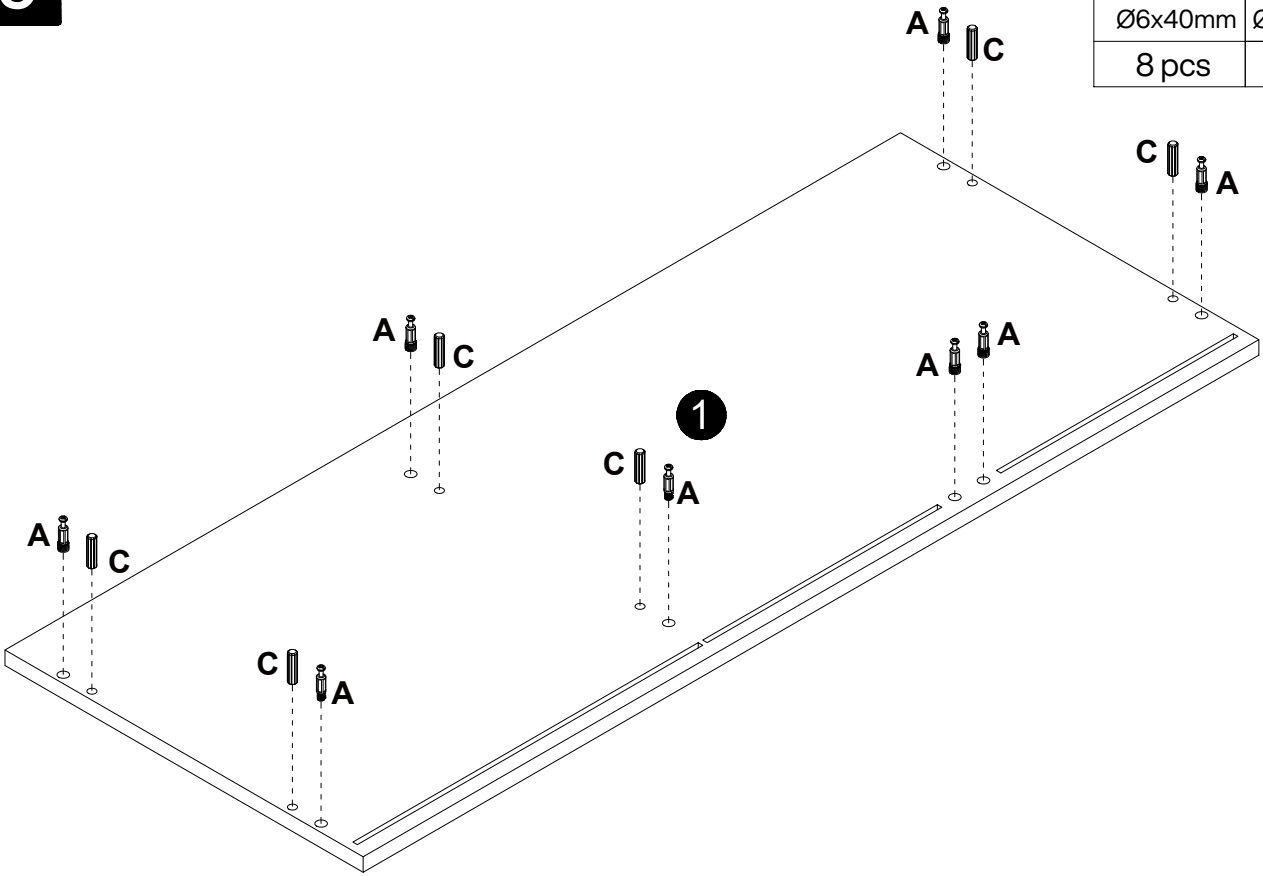
B

Ø15x12mm
8 pcs

8




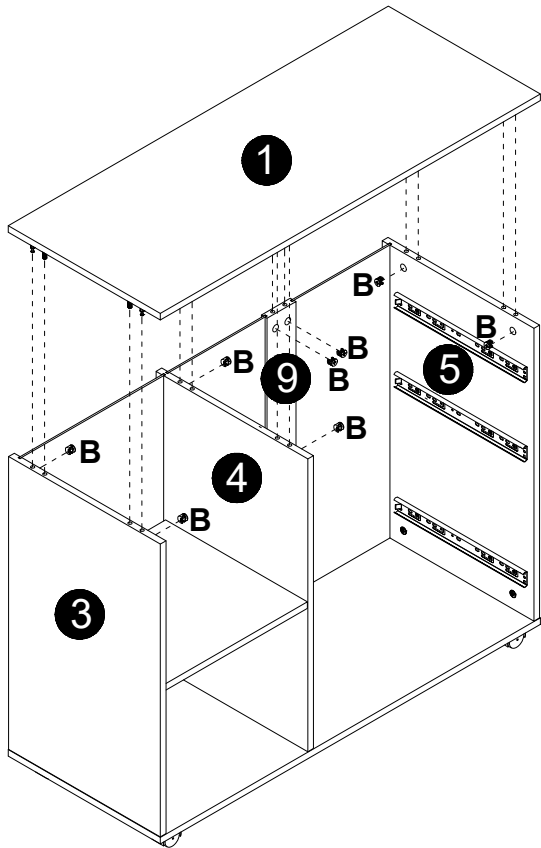
9

A	C
	
Ø6x40mm	Ø7.5x30mm
8 pcs	6 pcs

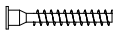



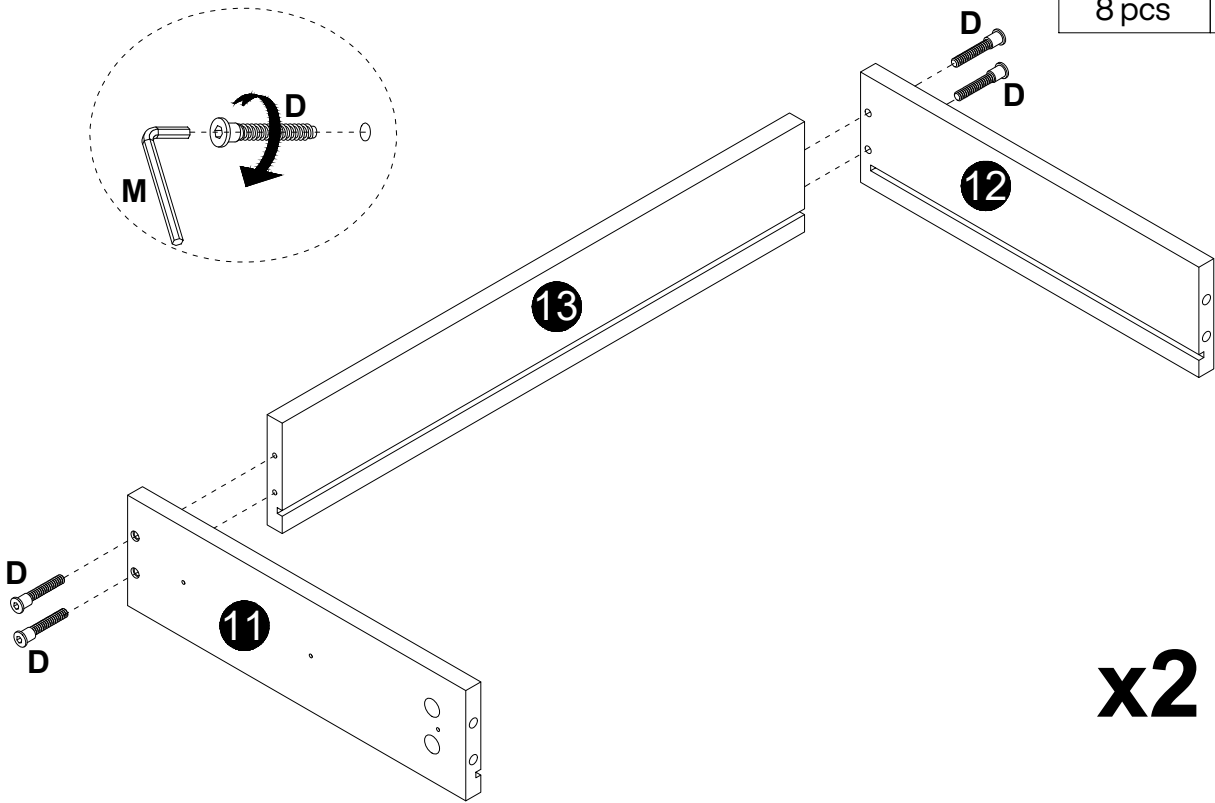
10

B

Ø15x12mm
8 pcs

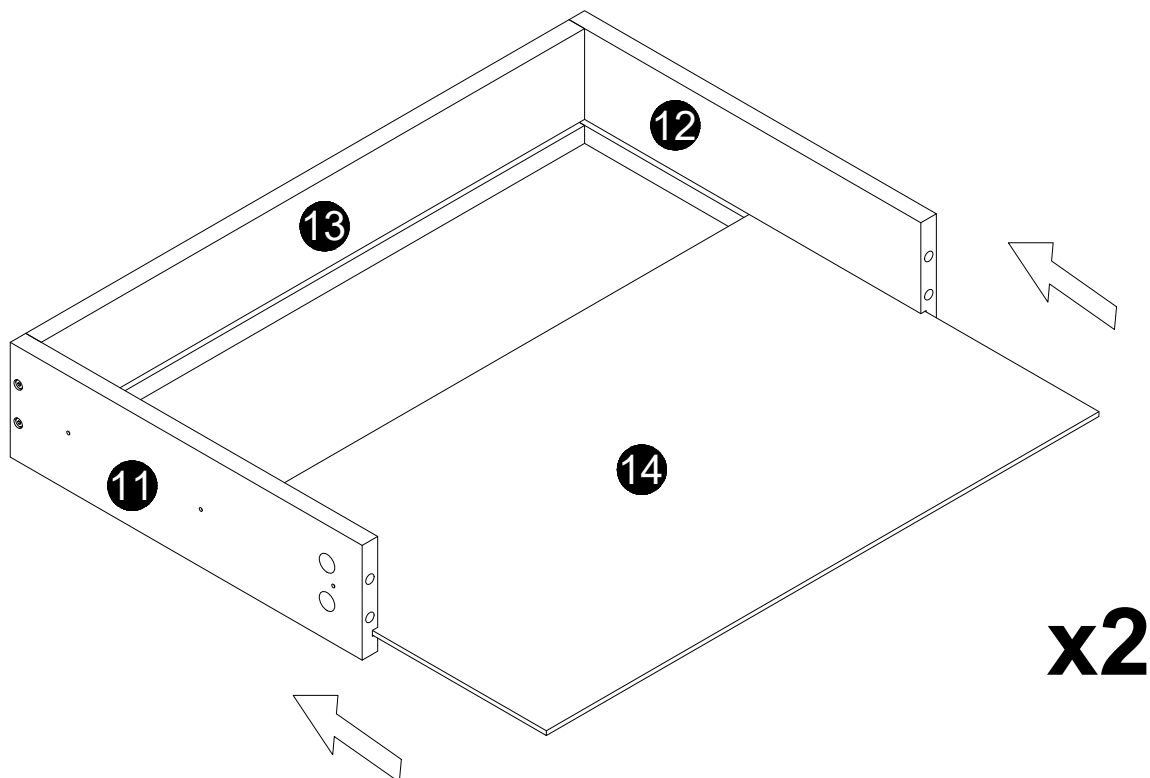


11

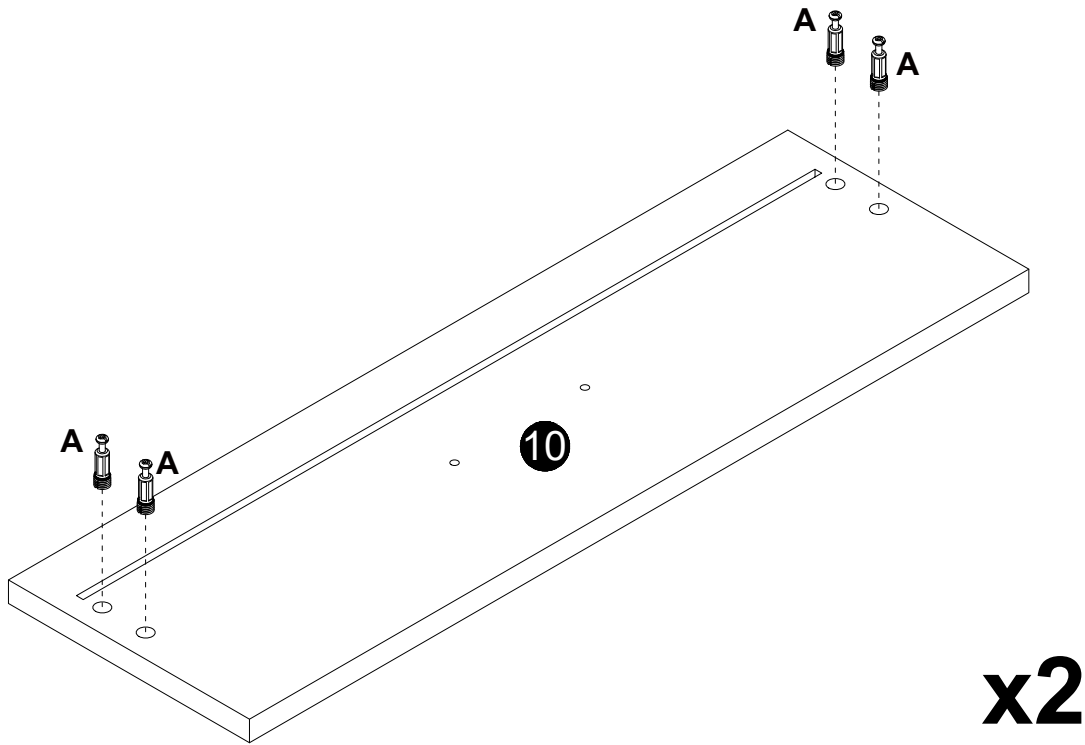
D	M
	
Ø5x40mm	M3
8 pcs	1 pc




12

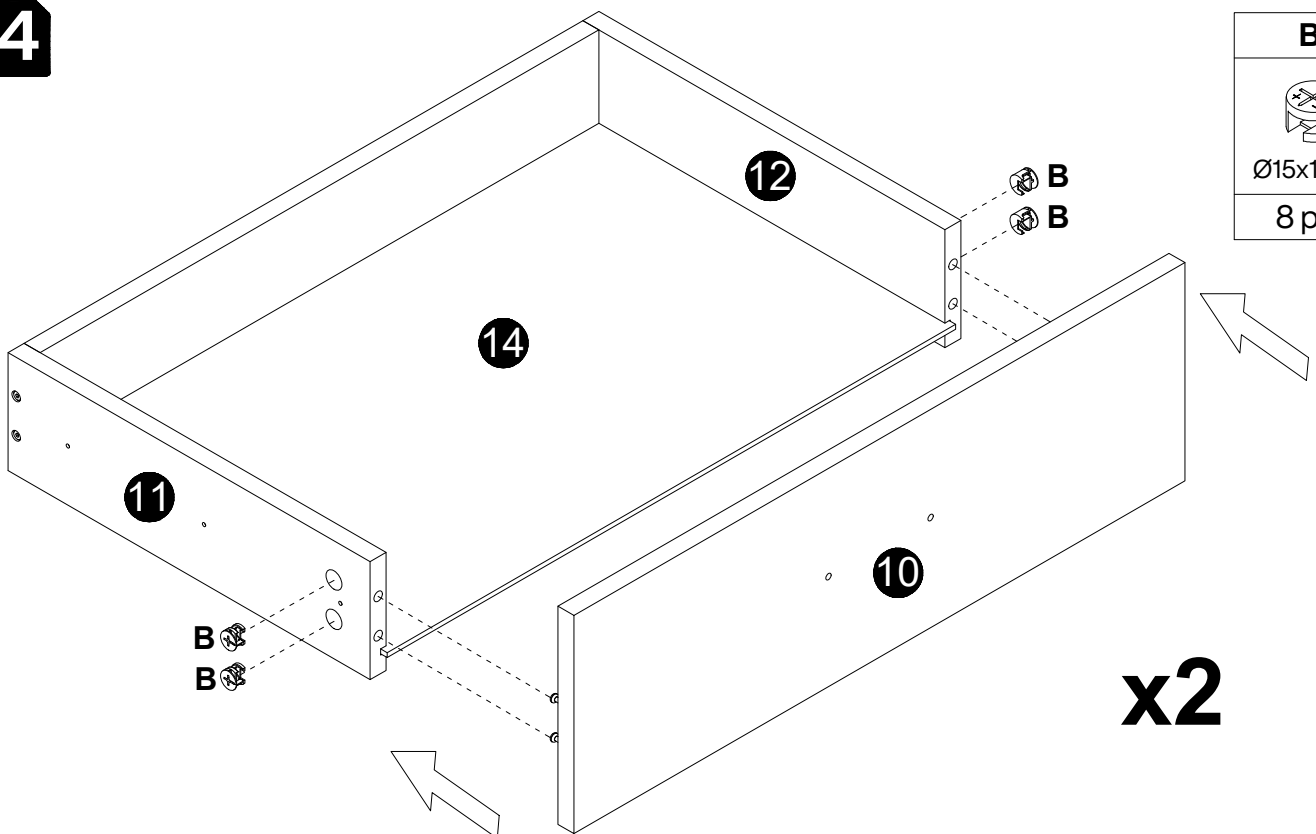



13



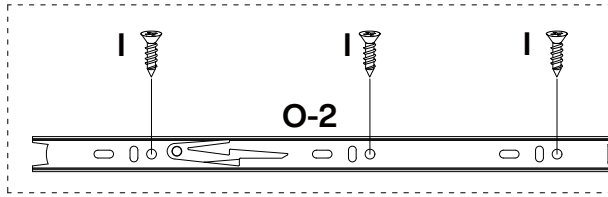
A

Ø6x40mm
8 pcs



14

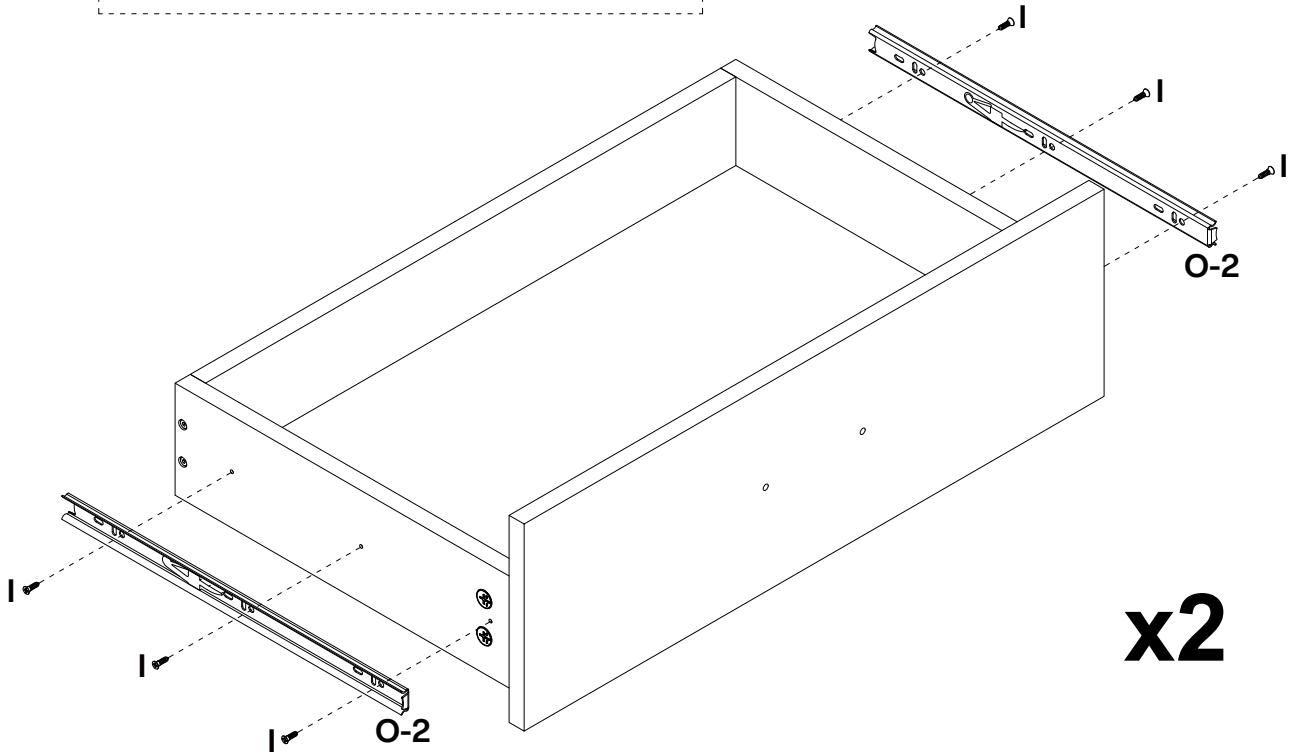


B

Ø15x12mm
8 pcs

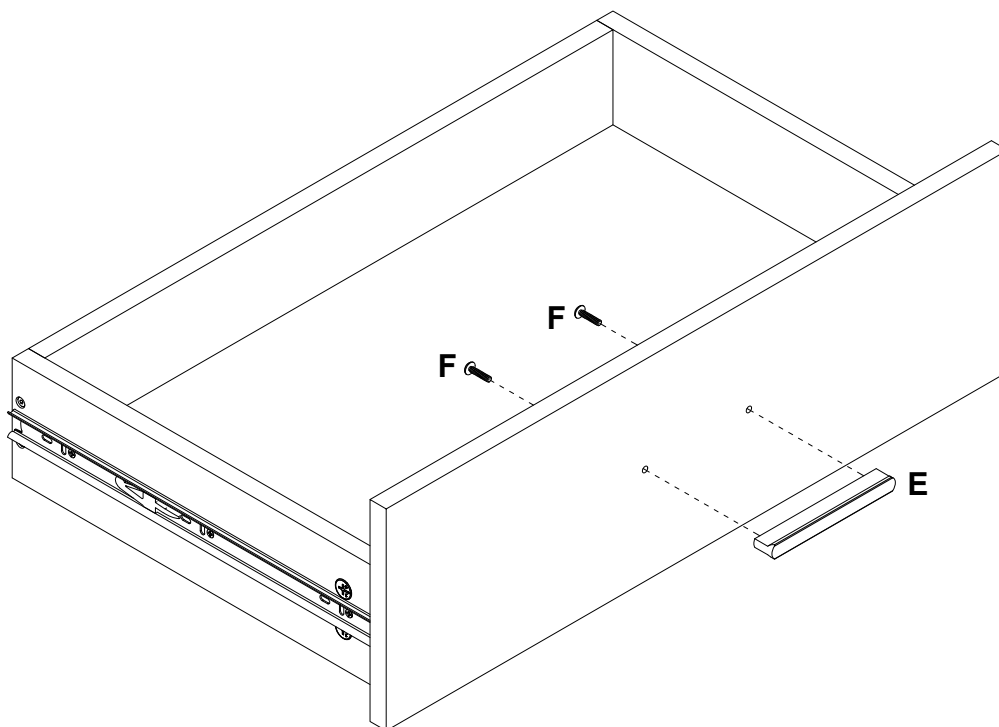
15

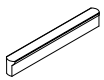



I	O-2
	
Ø3.5x14mm	340mm
12 pcs	4 pcs

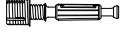



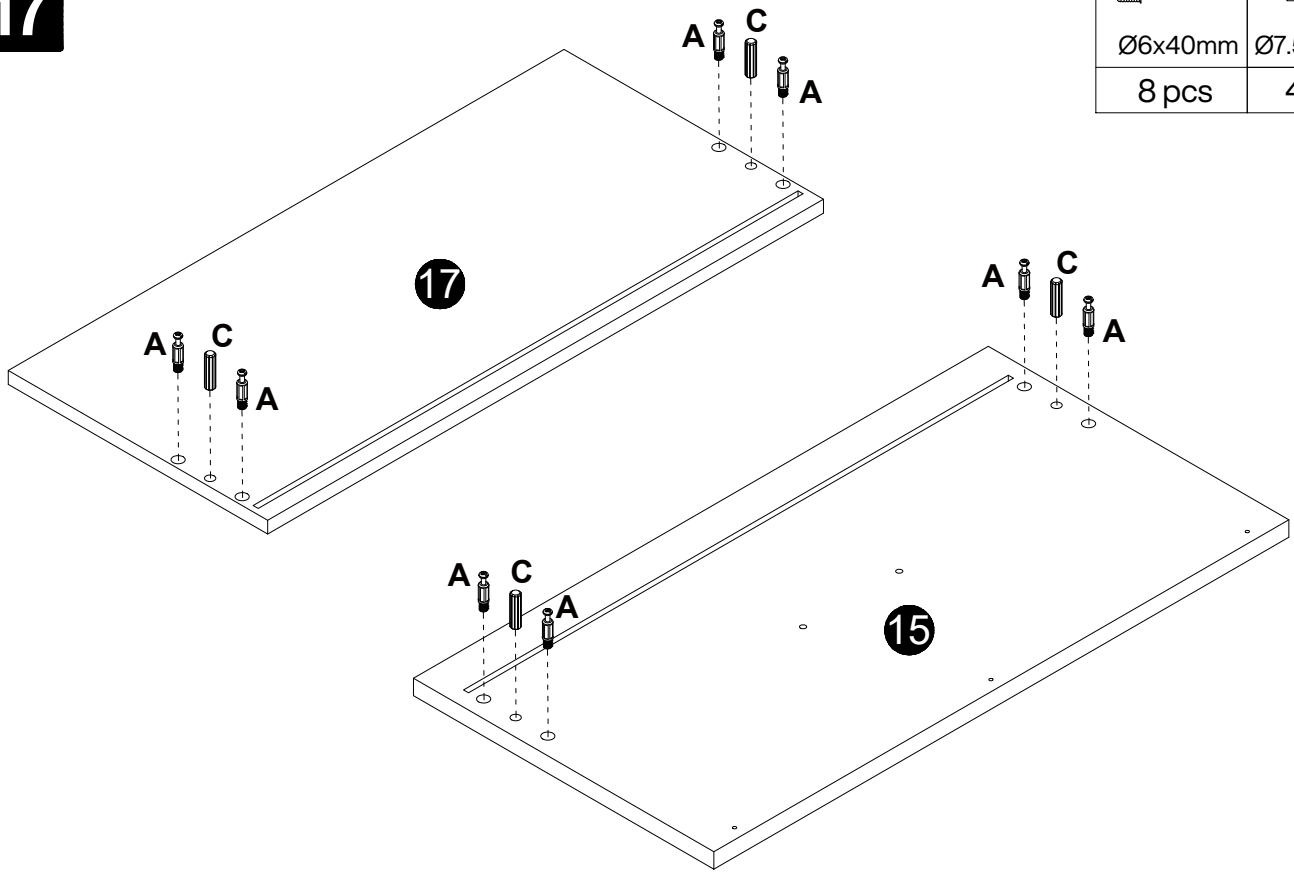
16




E	F
	
114x11x17mm	M4x18mm
2 pc	4 pcs

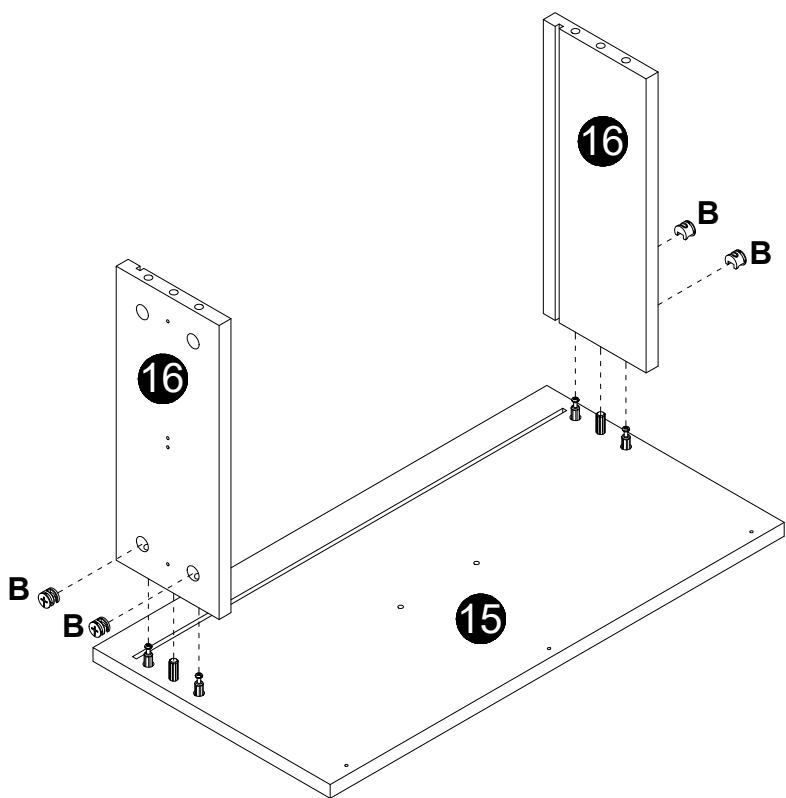
17

A	C
	
Ø6x40mm	Ø7.5x30mm
8 pcs	4 pcs




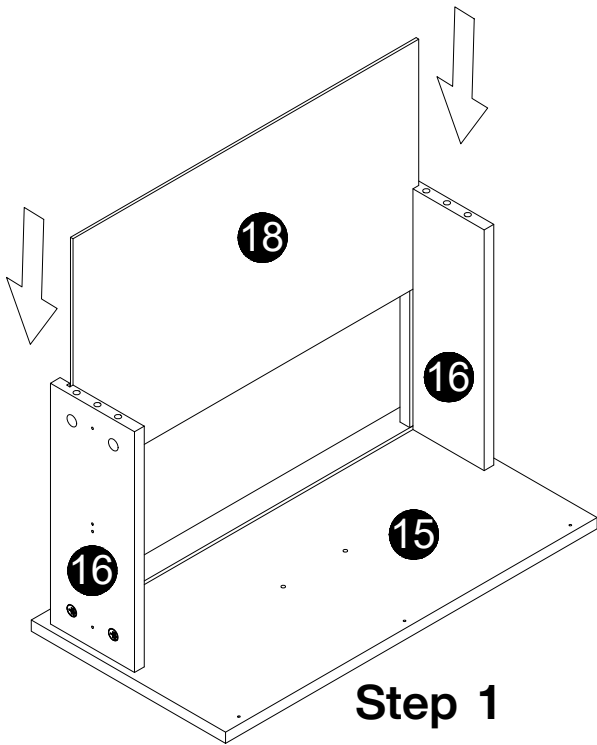
18

B

Ø15x12mm
4 pcs

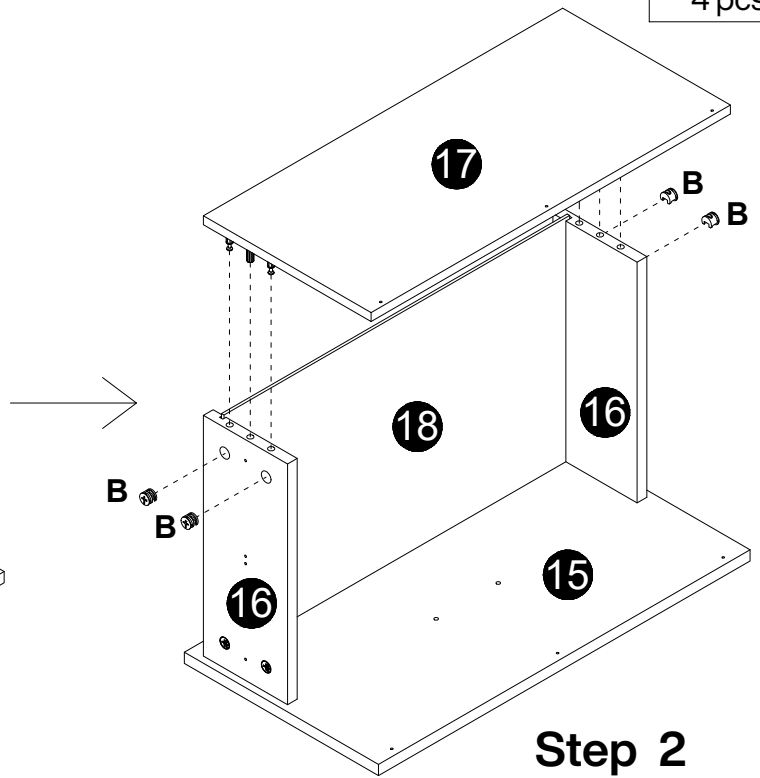


19

B

Ø15x12mm
4 pcs

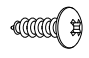



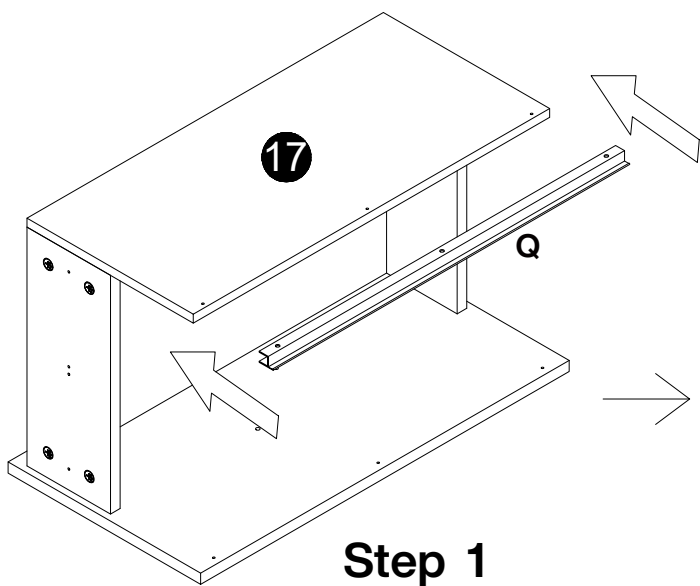
Step 1



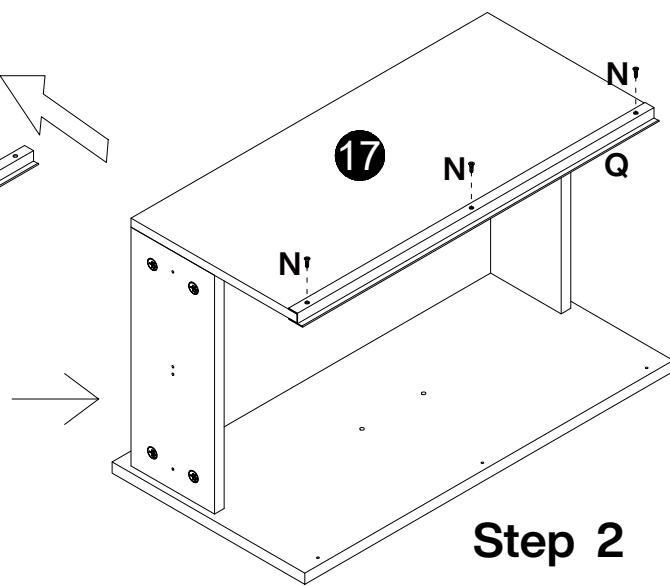
Step 2

20

N

Ø4x12mm
3 pcs
Q

555mm
1pc

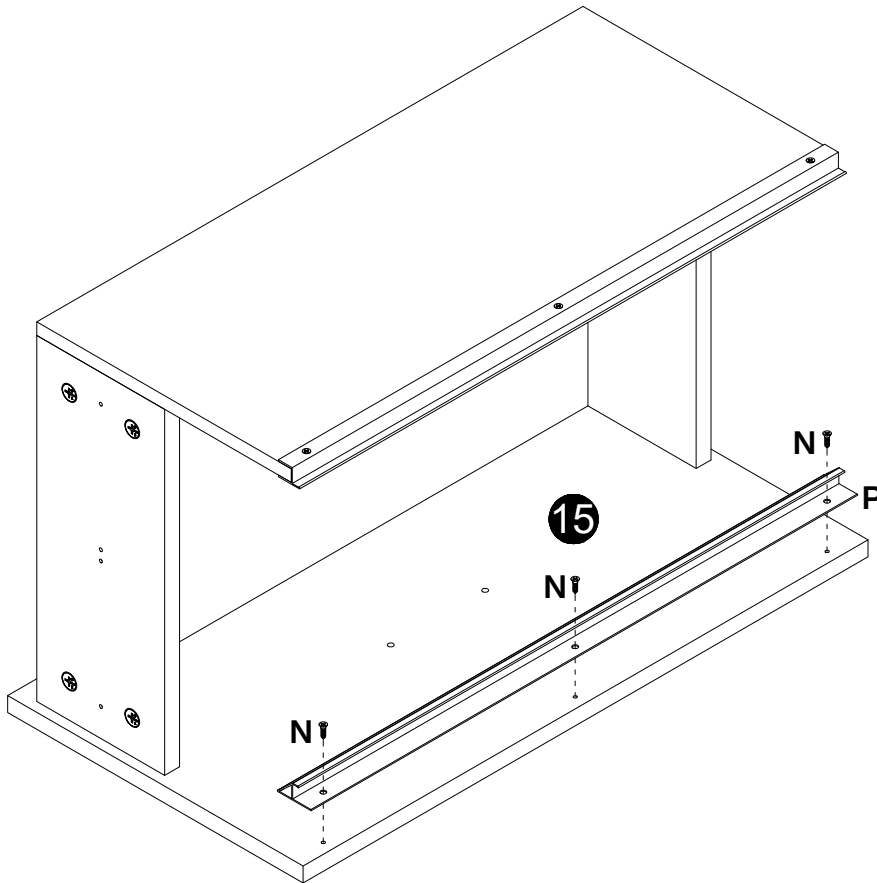



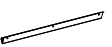
Step 1



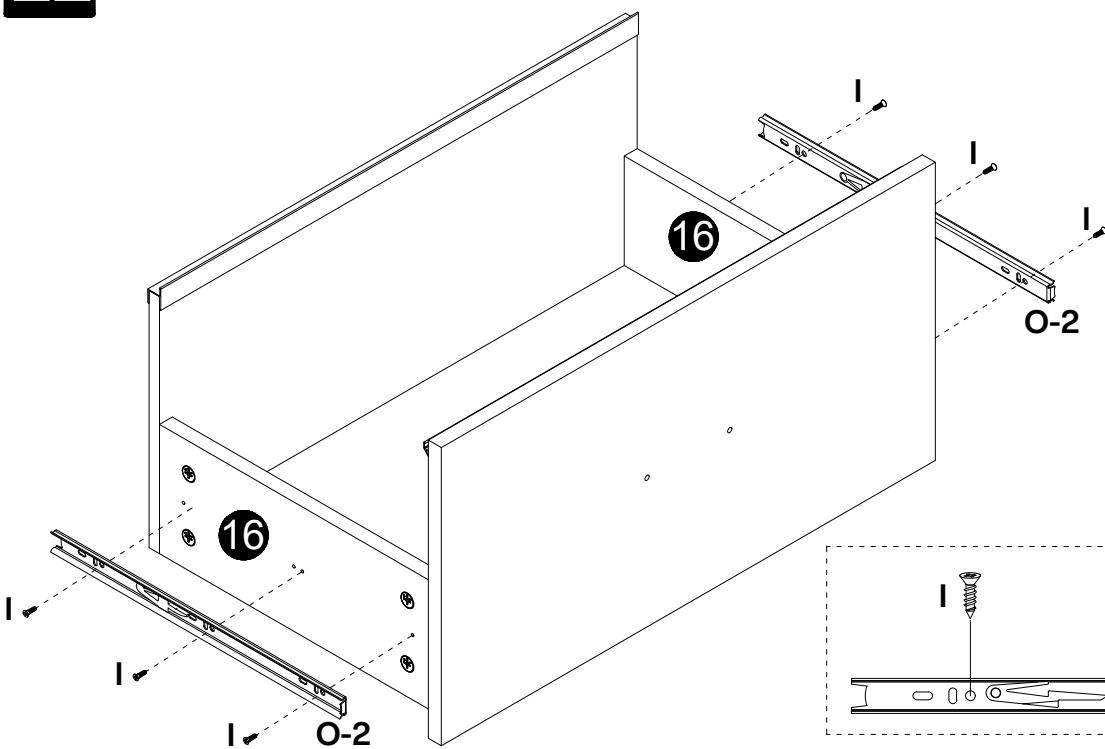
Step 2

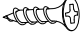

21






N
 Ø4x12mm
3 pcs
P
 555mm
1 pc

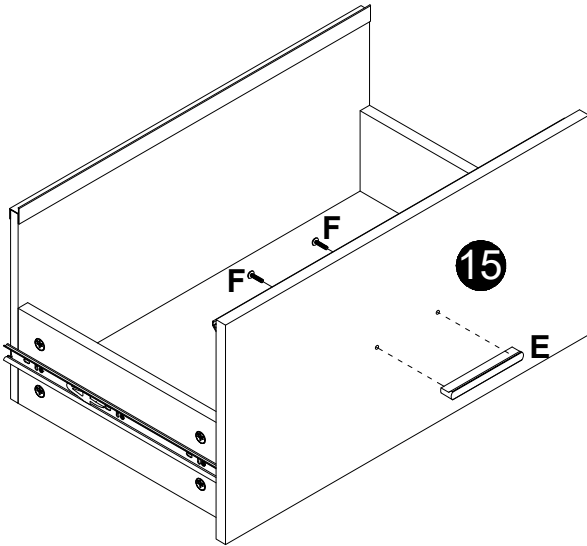
22



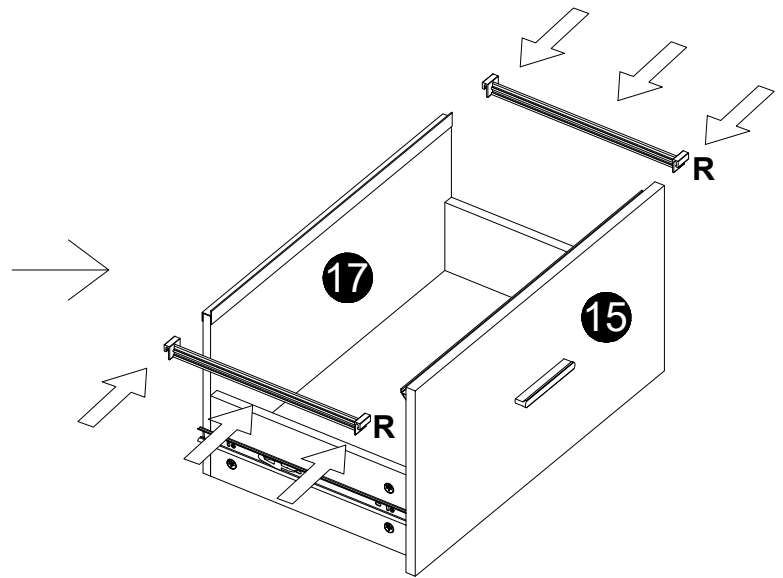
I	O-2
 Ø3.5x14mm	 340mm
6 pcs	2 pcs

23

E	F	R
		
114x11x17mm	M4x18mm	317mm
1 pc	2 pcs	2 pcs

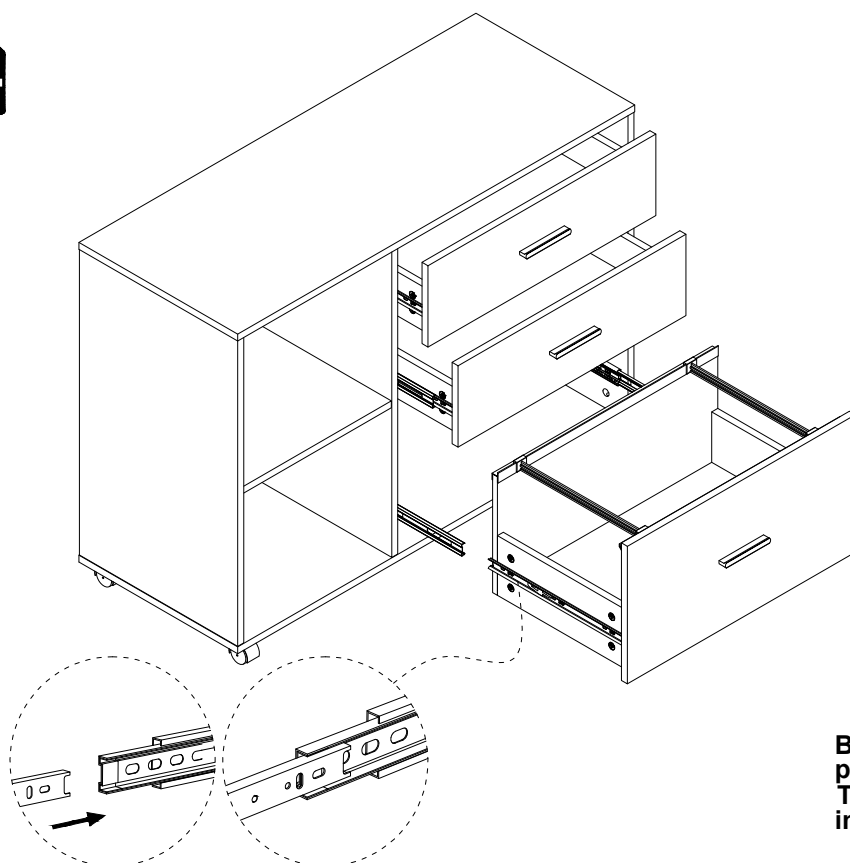


Step 1

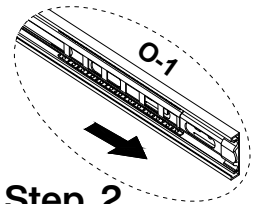


Step 2

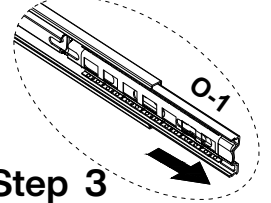
24



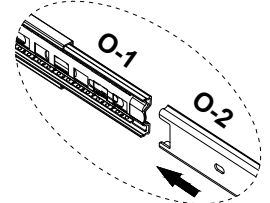
Step 1



Step 2

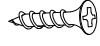
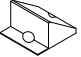


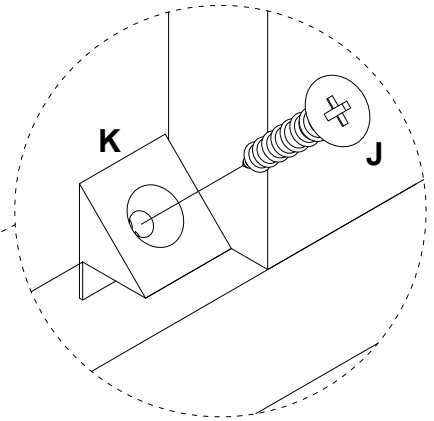
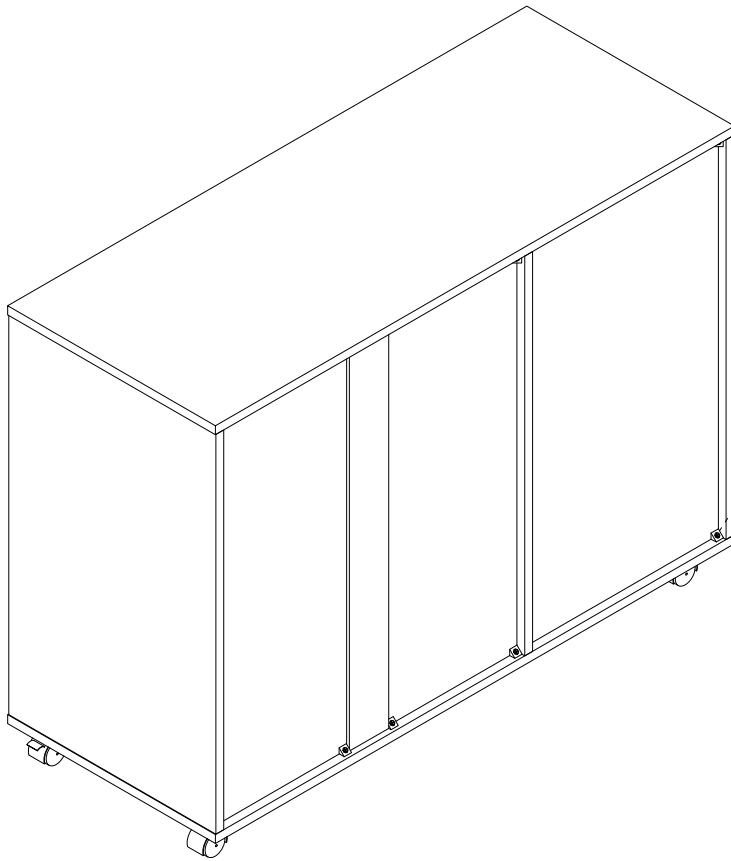
Step 3



Before installation, slide the inner iron pieces of #O-1 to the outermost side. Then align it with #O-2 and gently push it inward to complete the slide installation.


25

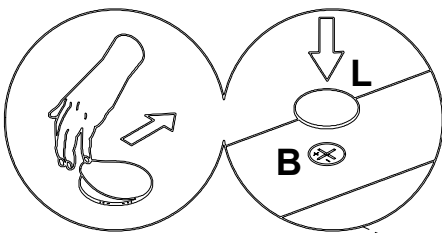
J	K
 M4x18mm	 317mm
12 pcs	12 pcs



Back Plate Buckle

26

L
 Ø21mm
8 pcs



Thank you for your support!

