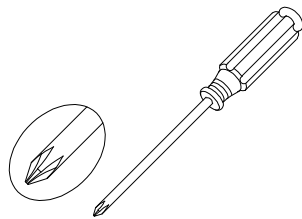


INSTRUCTION MANUAL

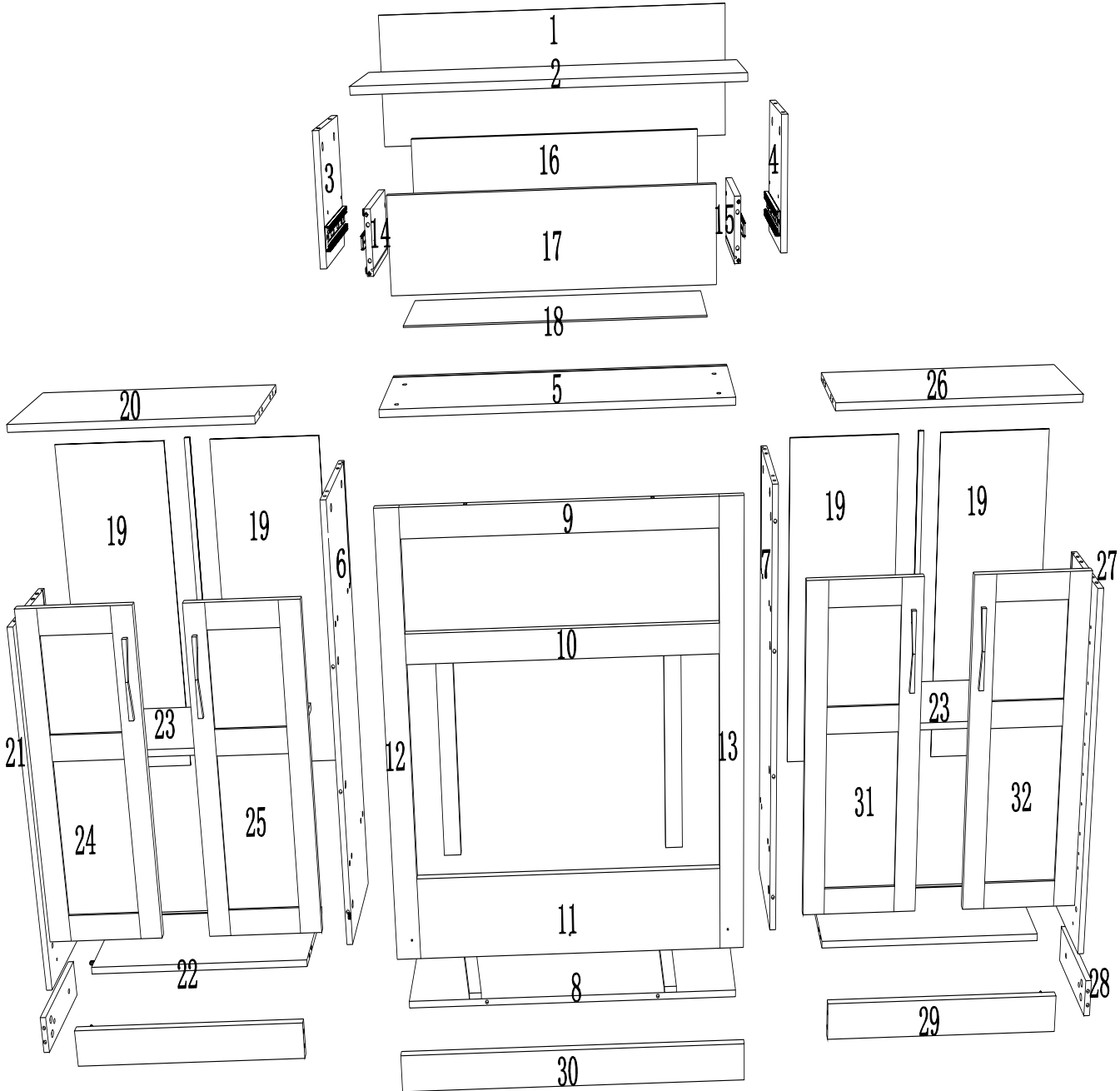


GENERAL ASSEMBLY GUIDELINES



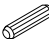


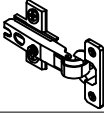
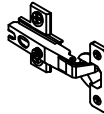
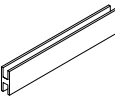

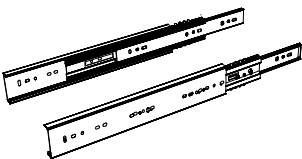



- I. Ensure that all parts and hardware are available before beginning assembly.
- II. Follow each step carefully to ensure the proper assembly of this product.
- III. Two people are recommended for ease in the assembly of this product.
- IV. A Phillips head screwdriver is required for the assembly of this product.



PARTS LIST

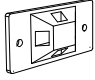
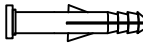
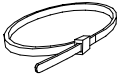
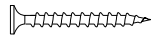



ACCESSORIES LIST

PART	IMAGE		DESCRIPTION	QTY
A			CAM LOCK	62 PCS
B			CAM LOCK	62 PCS
C		Ø8*40	WOOD DOWEL	38 PCS
D		Ø6*25	BOLT	11 PCS
E			SHIM	11 PCS
F			FULL COVER HINGE	4 PCS
G			HALF COVER HINGE	4 PCS
H			H-STRIP	2 PCS
I		Ø4*12	SCREW	64 PCS
J			TRACK	1 PCS
K			HANDLE	4 PCS
L		Ø4*20	SCREW	8 PCS
M			LAMINATED NAIL	10 PCS

*The hardware quantities listed above are required for proper assembly,
Some extra hardware may also have been included.*

ANTI-TIP KIT

PART	IMAGE		DESCRIPTION	QTY
AA			MOUNTING BRACKET	2 PCS
AB			Anchor	2 PCS
AC			Nylon strap	1 PCS
AD	+ 	Ø4*15	Flat head screw	2 PCS
AE	+ 	Ø4*30	Flat head screw	2 PCS

*The hardware quantities listed above are required for proper assembly,
Some extra hardware may also have been included.*

STEP 1

J

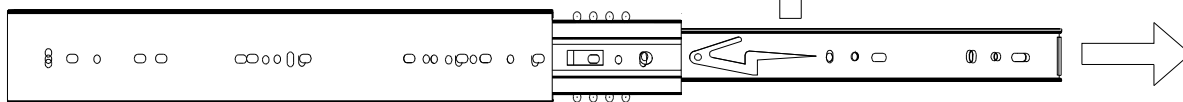


J

Move upwards

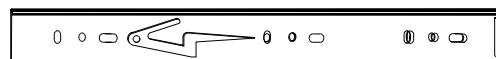
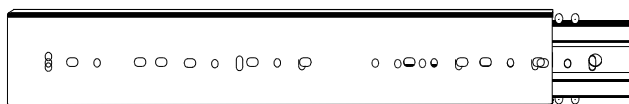


Simultaneously pull out




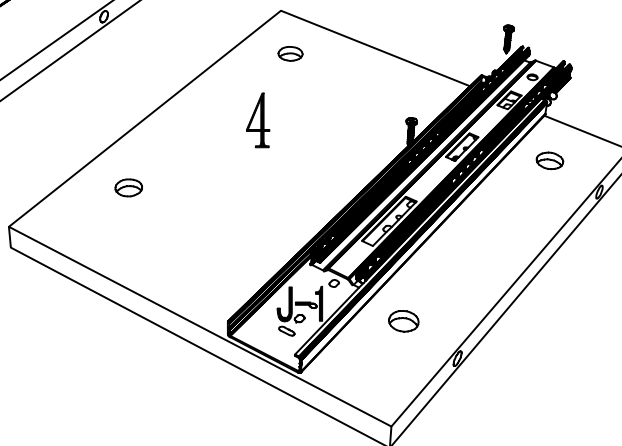
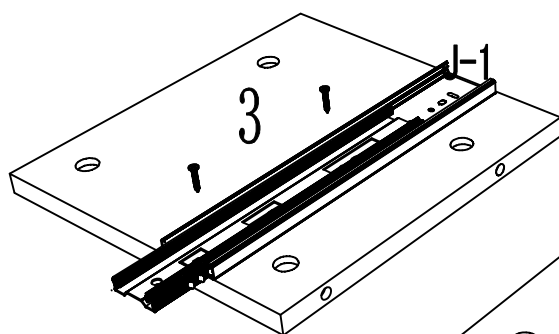
J-1

J-2

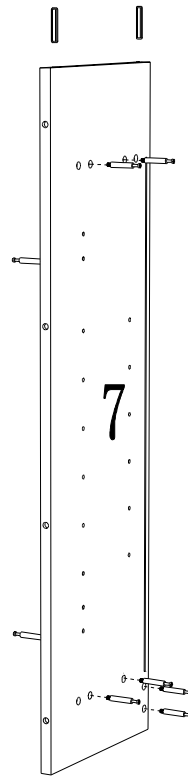
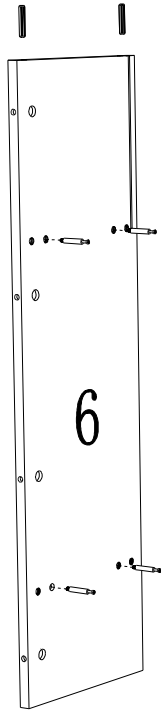


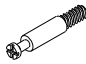
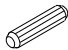
STEP 2

I  *4

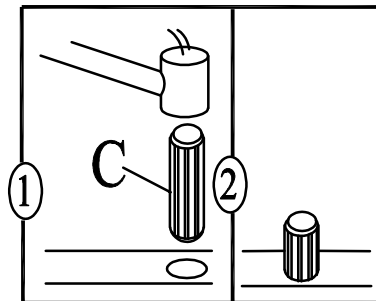


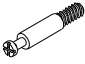
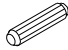
STEP 3

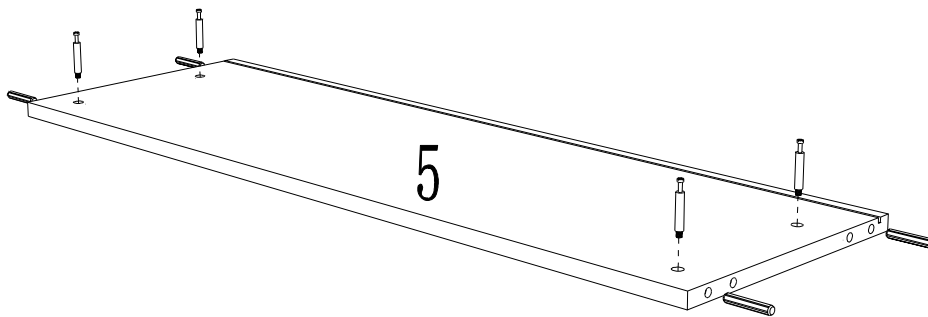


- A  ×20
- C  ×4

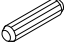
STEP 4

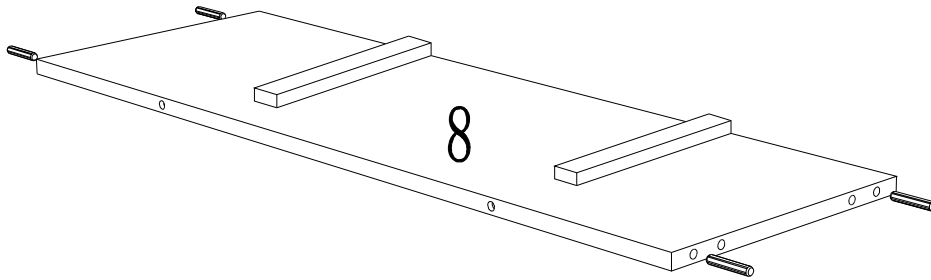


- A  ×4
- C  ×4




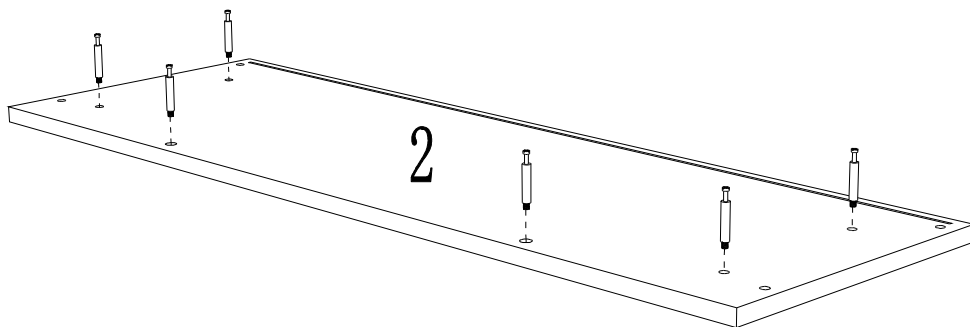
STEP 5

C  ×4



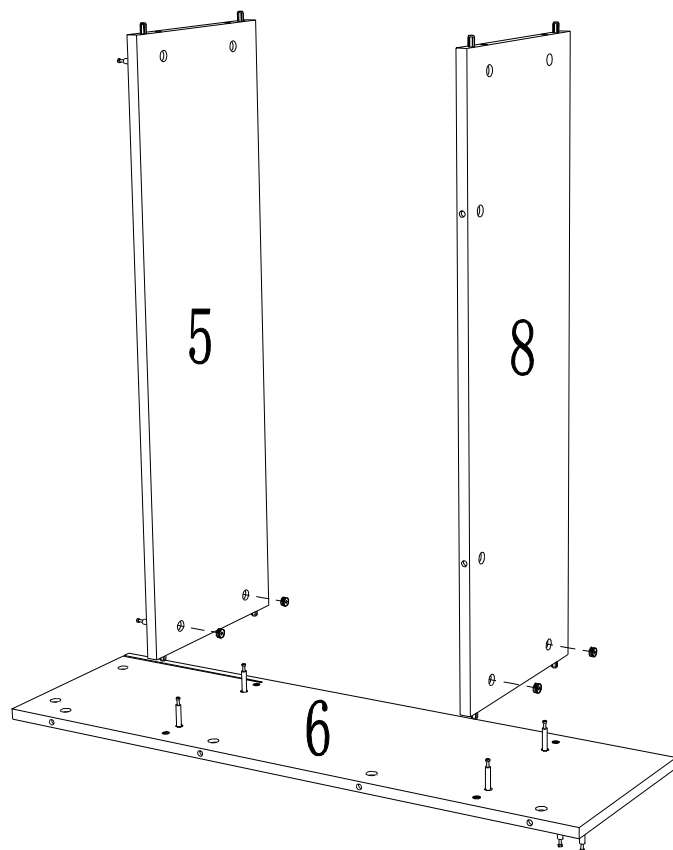
STEP 6

A  ×6



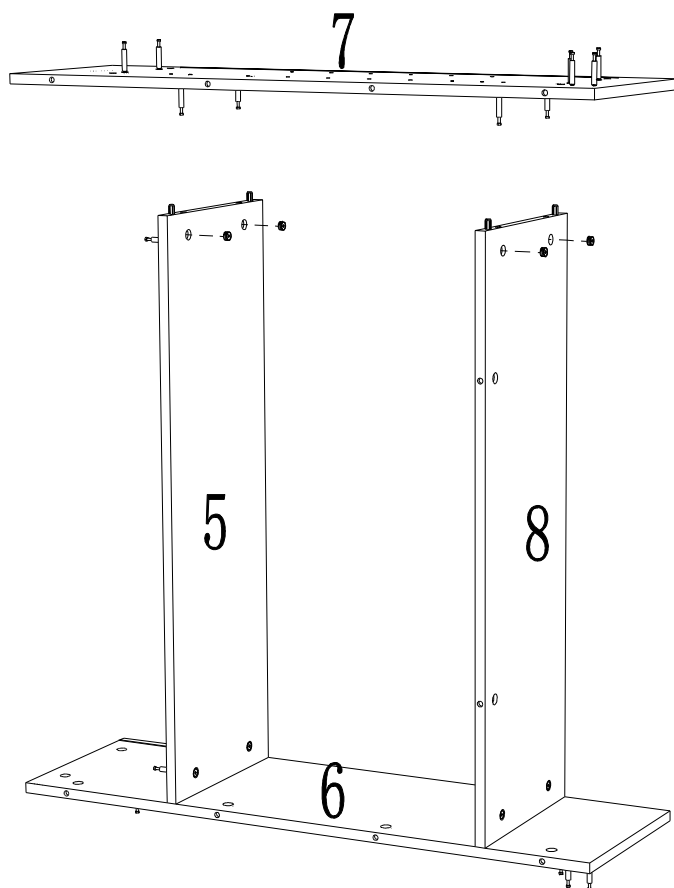
STEP 7

B  4

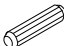


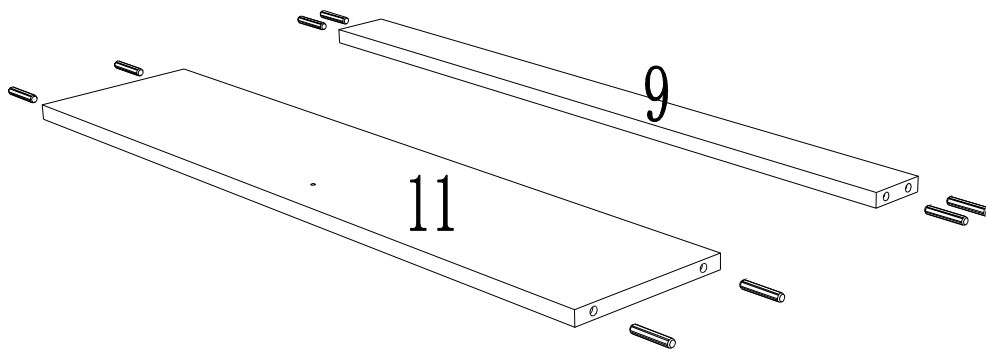
STEP 8

B  4

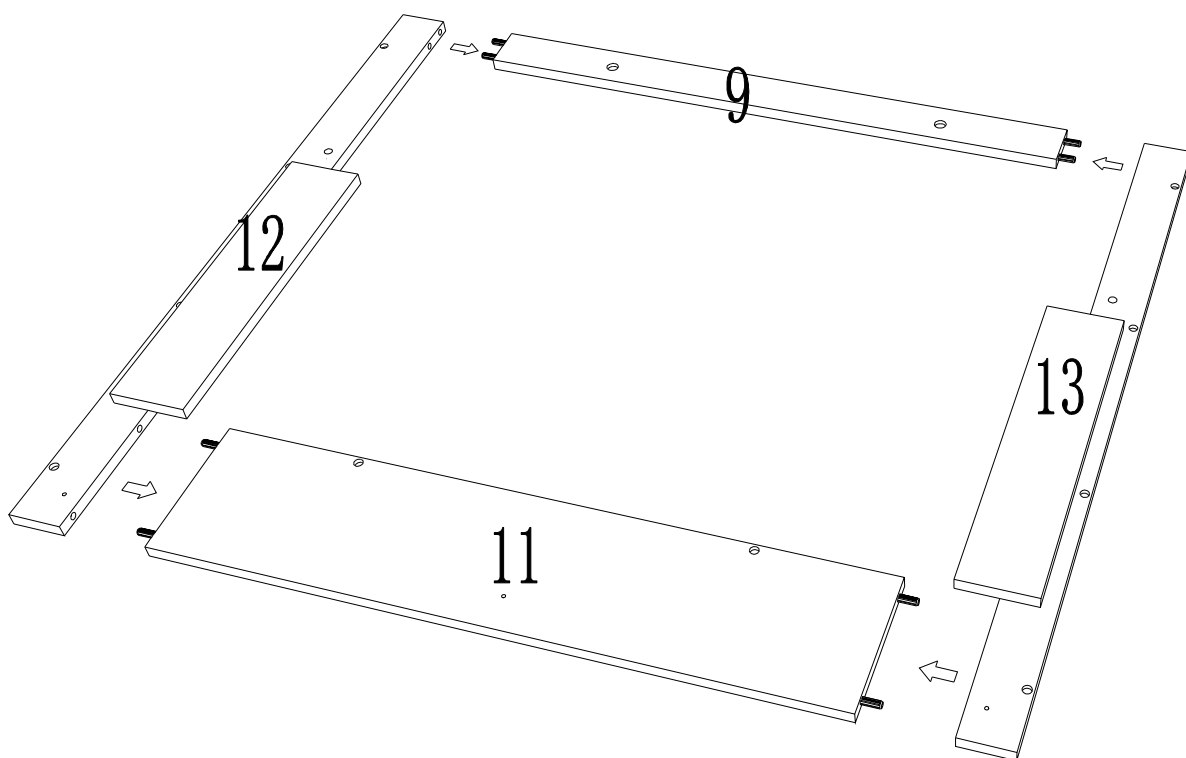


STEP 9


C  x12

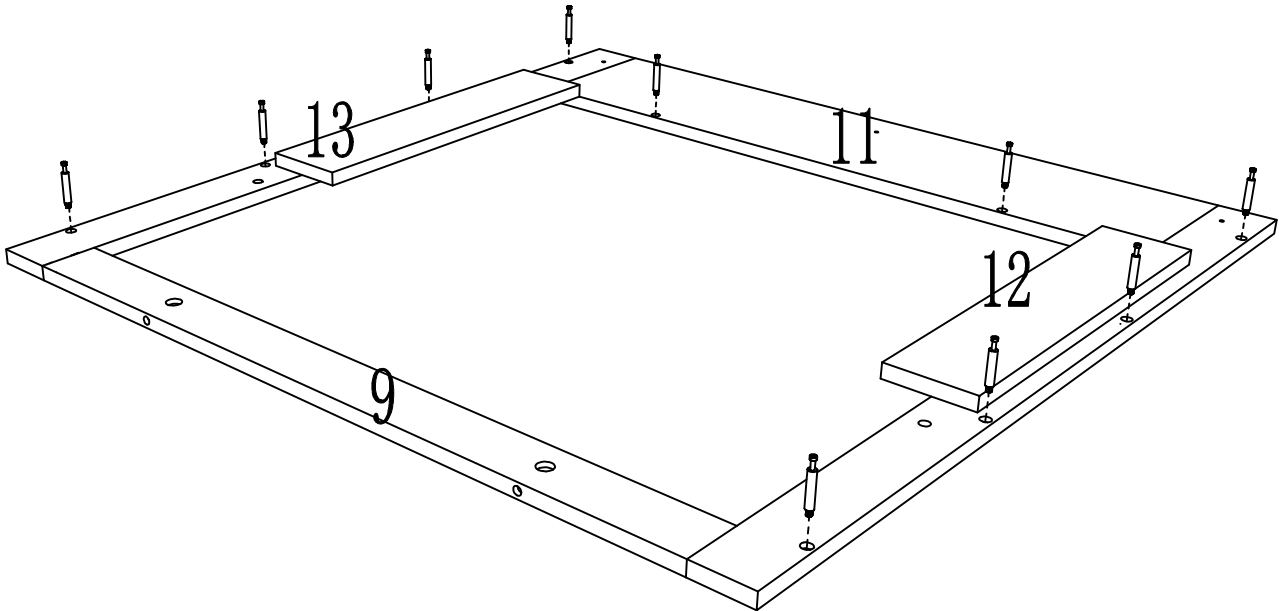


STEP 10





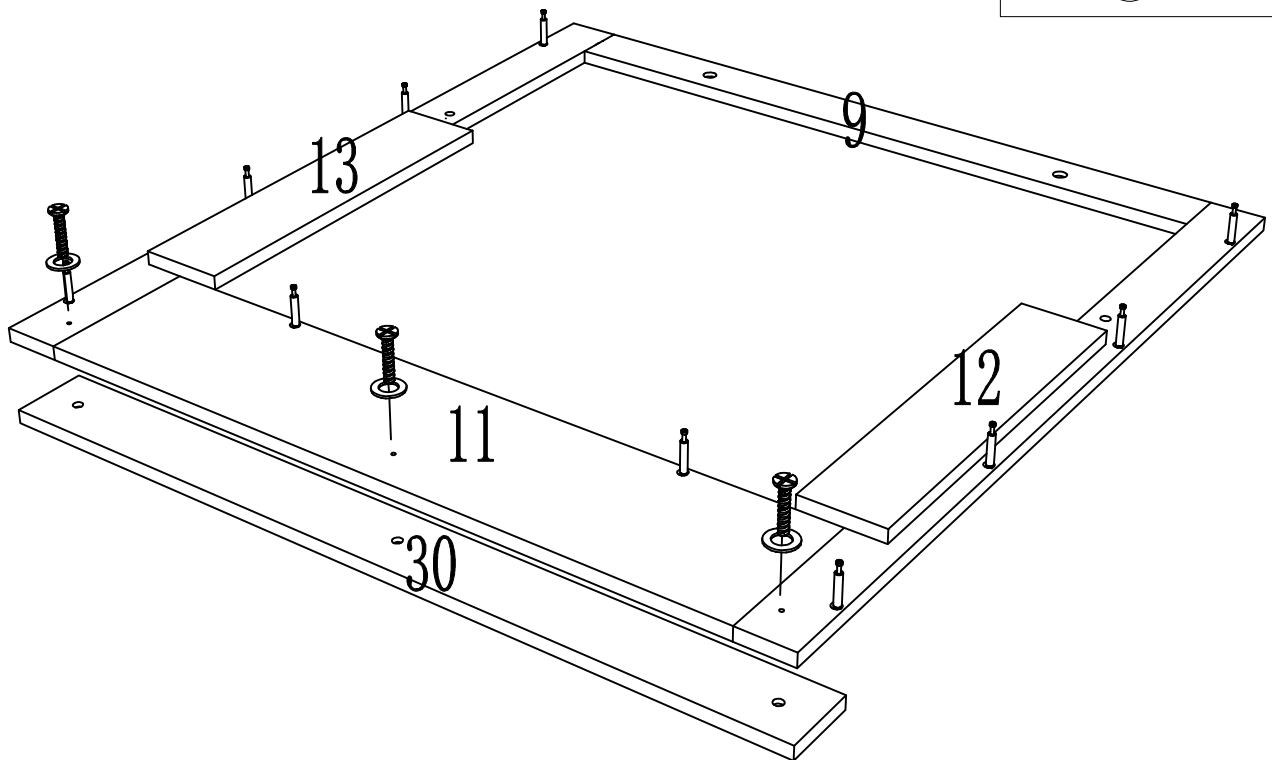
STEP 11

A  ×10



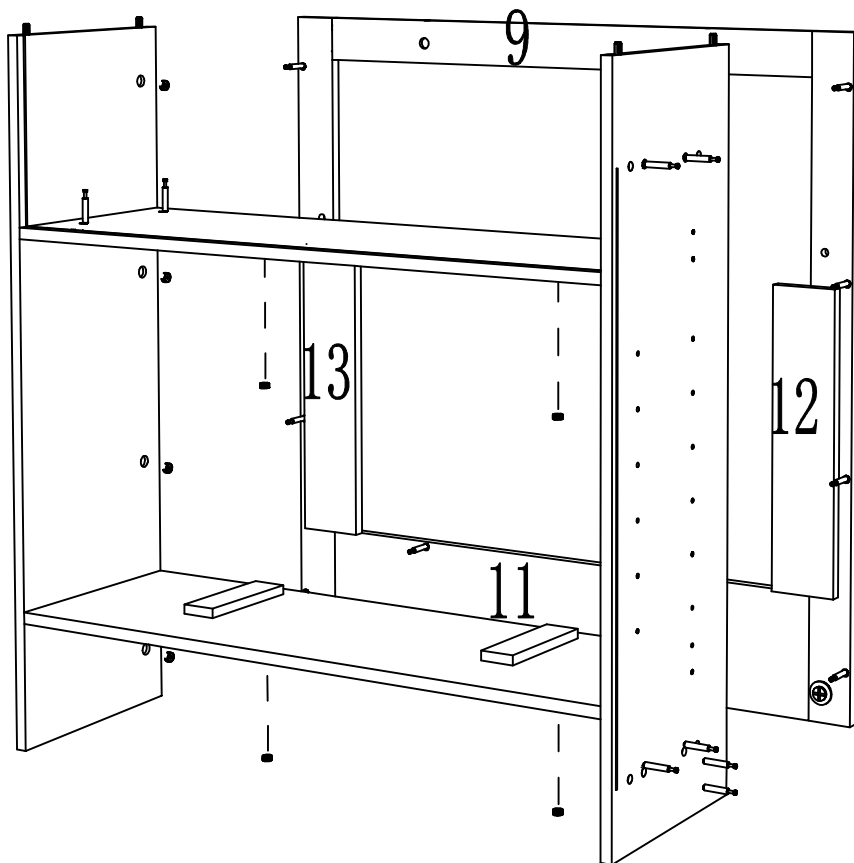
STEP 12

D  ×3
E  ×3



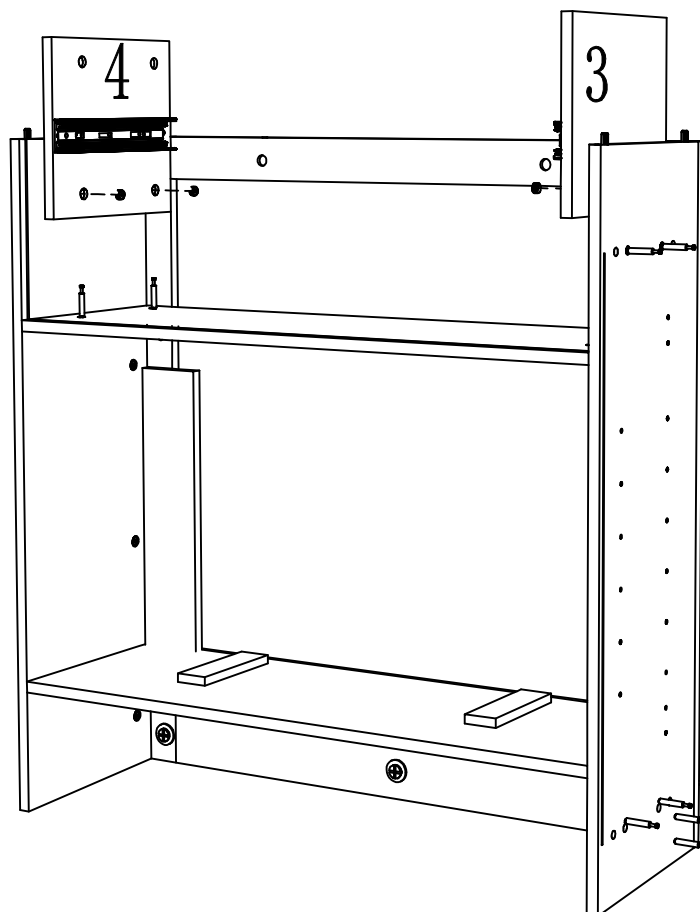
STEP 13

B  ×10

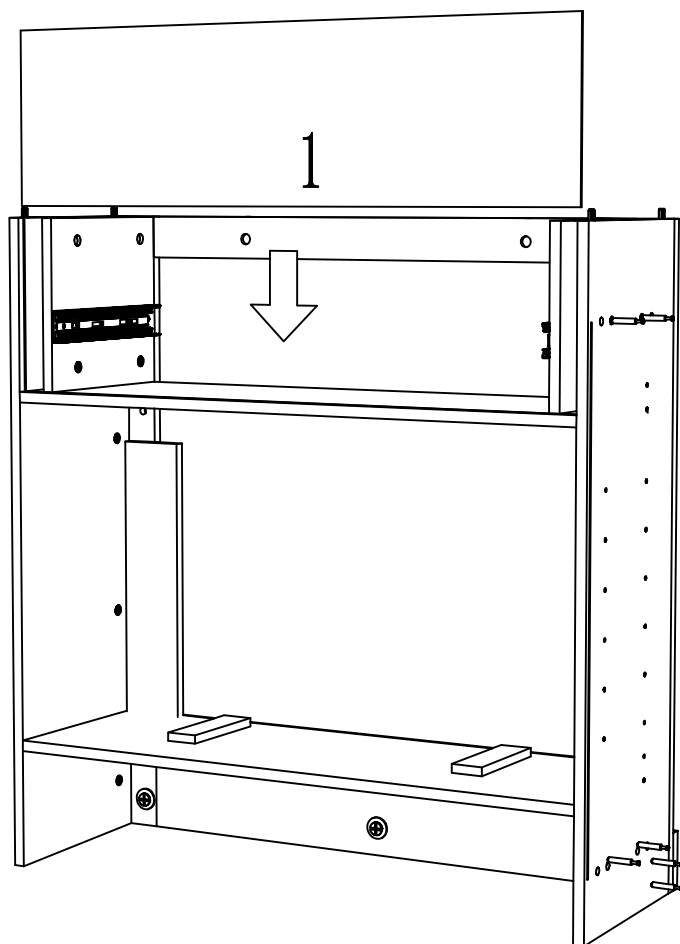


STEP 14

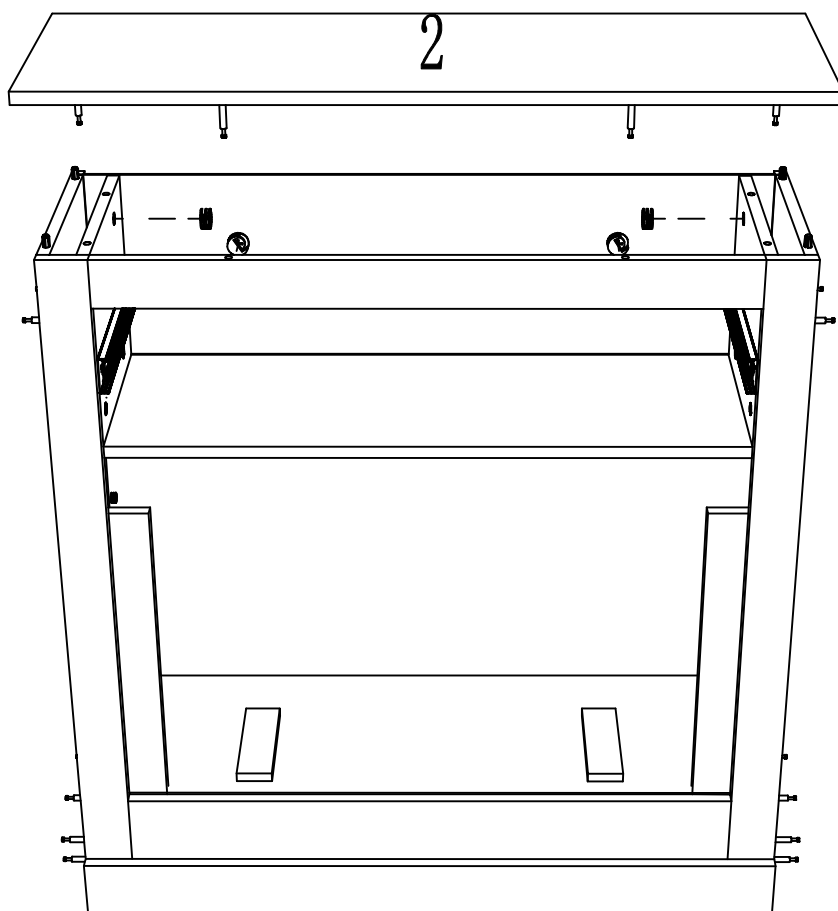
B  ×4



STEP 15


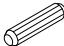


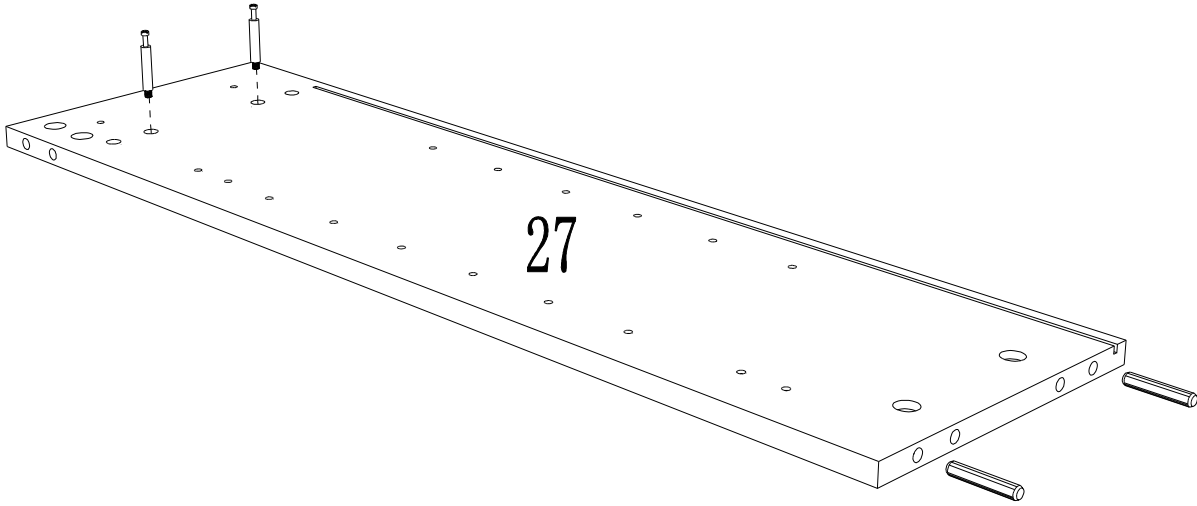
STEP 16




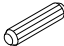
B  ×6

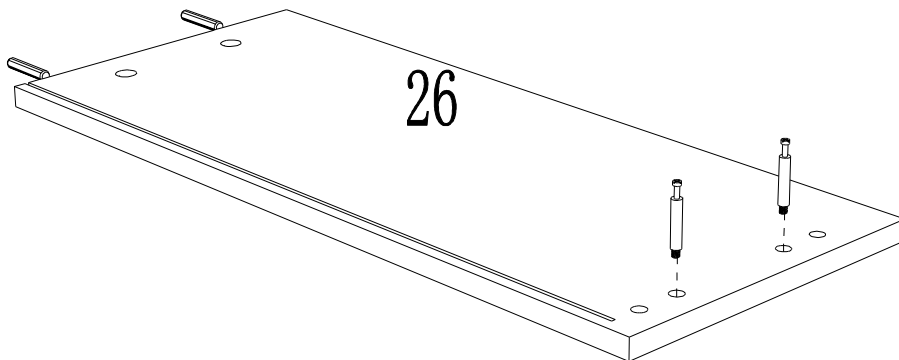
STEP 17

- A  ×2
- C  ×2

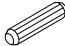


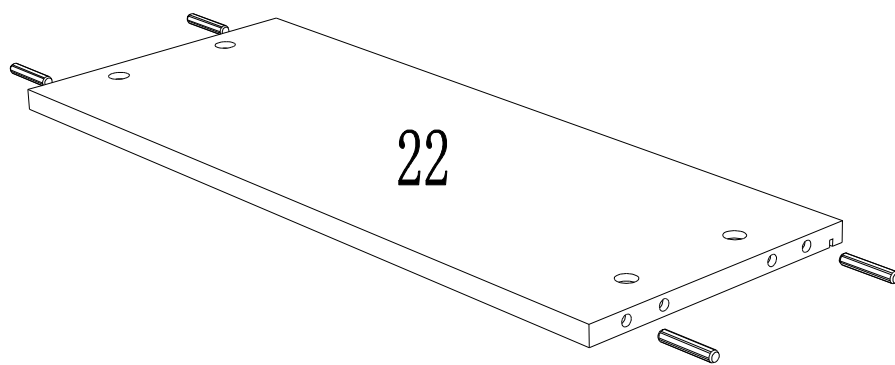
STEP 18

- A  ×2
- C  ×2



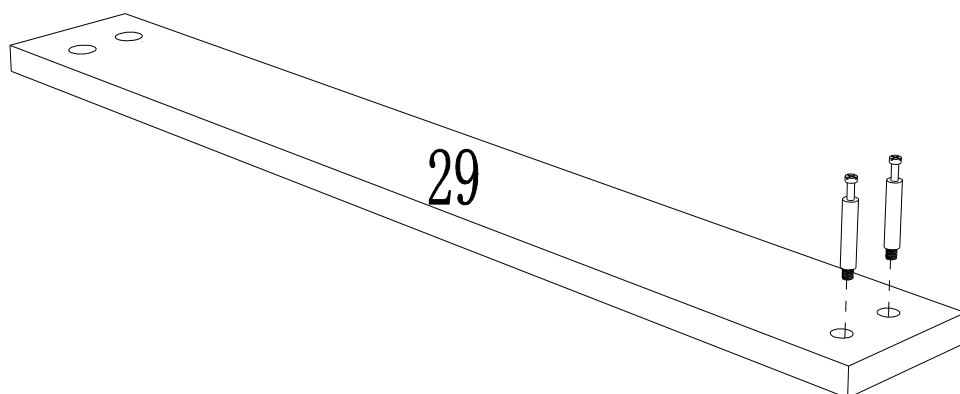
STEP 19

C  ×2


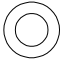


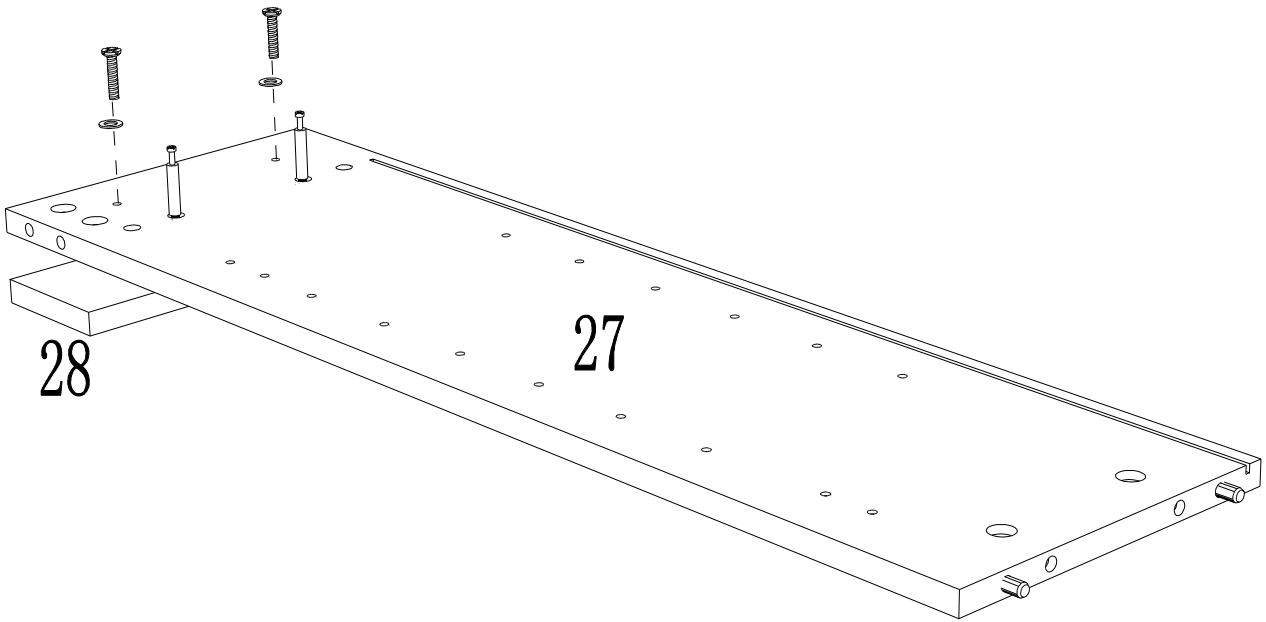
STEP 20

A  ×2



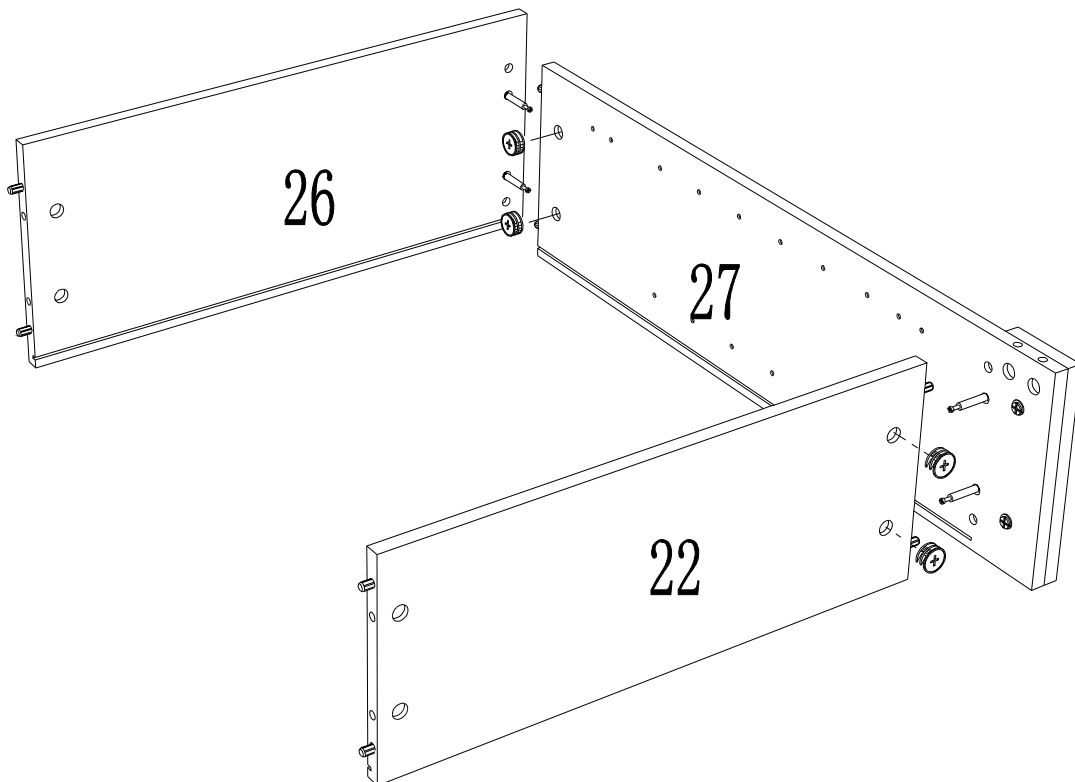
STEP 21

- D  ×2
- E  ×2



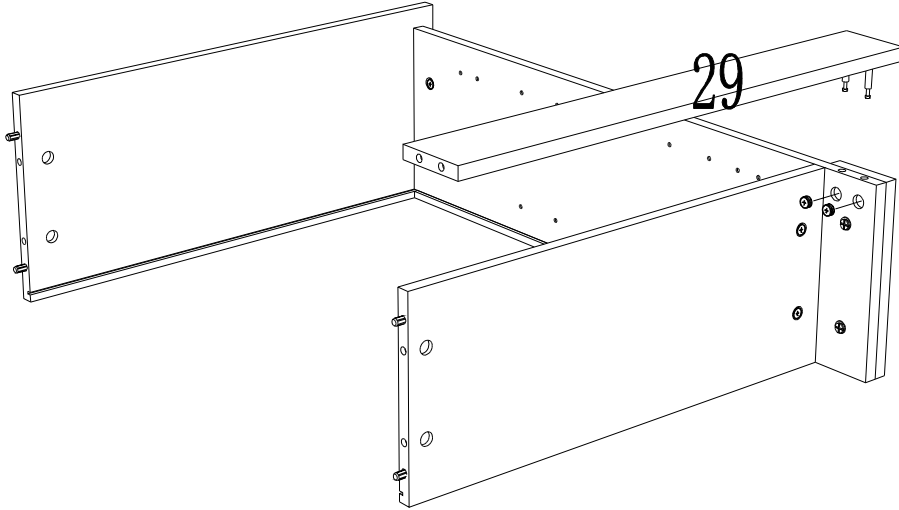
STEP 22

- B  ×4

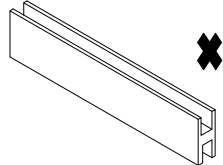


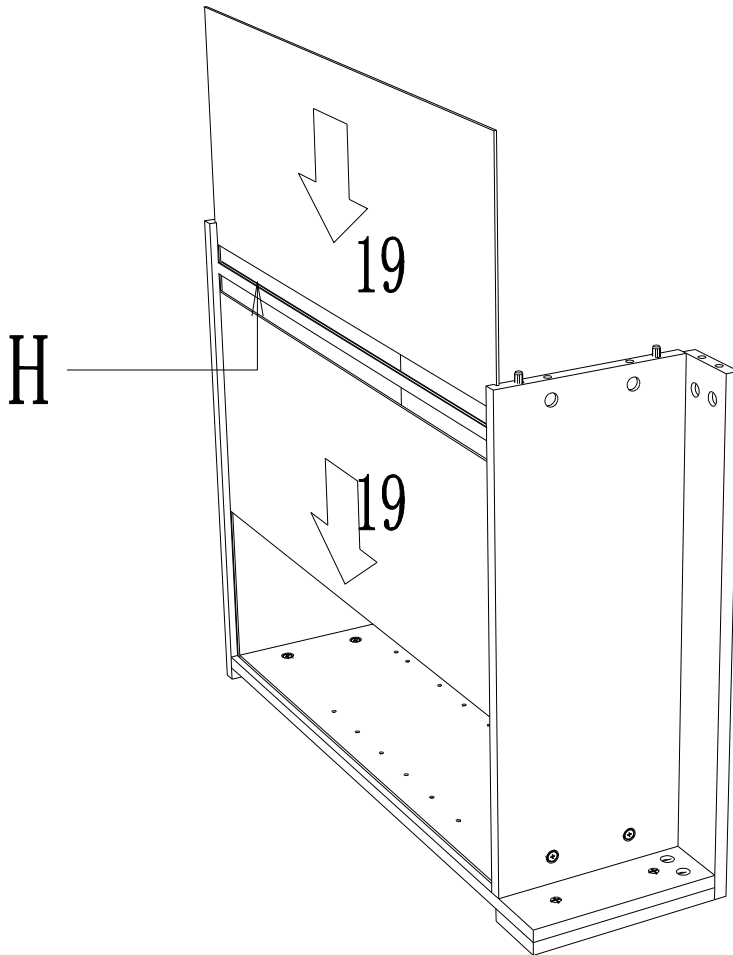
STEP 23

B  ×2


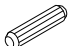


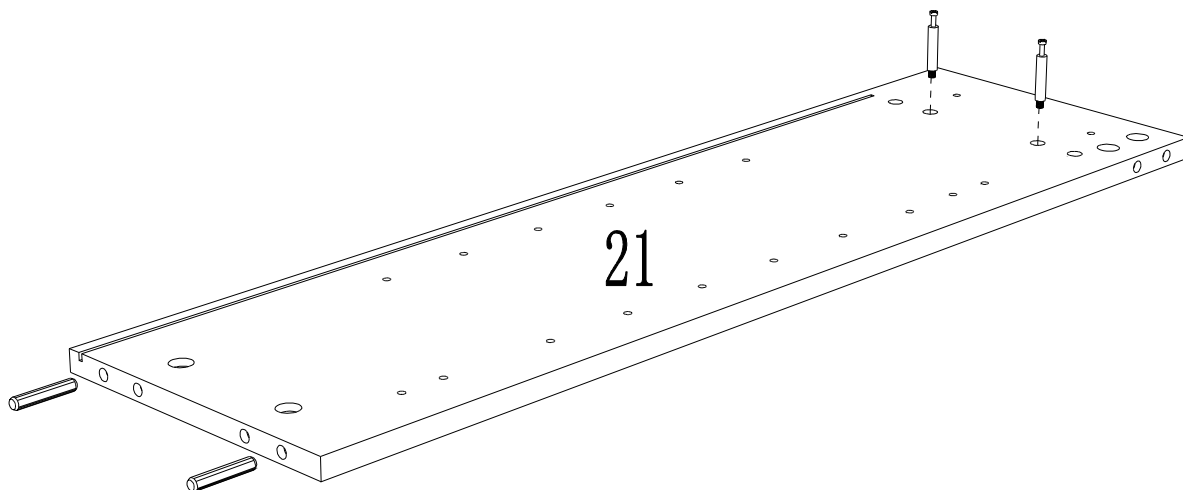
STEP 24

H  ×1


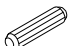


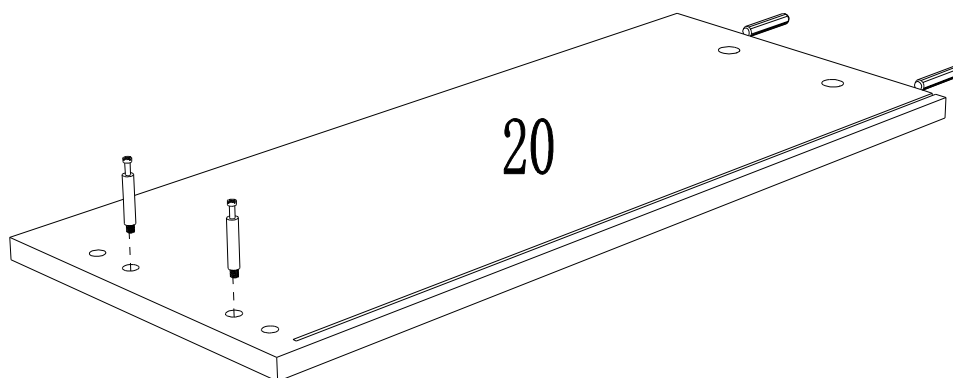
STEP 25

- A  ×2
- C  ×2

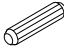


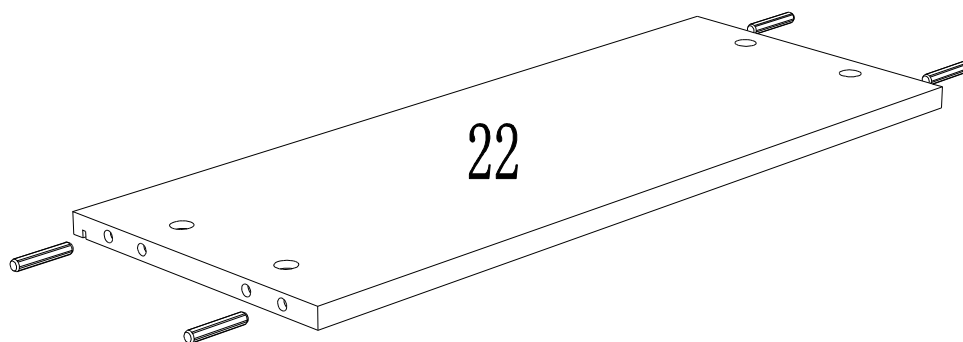
STEP 26

- A  ×2
- C  ×2



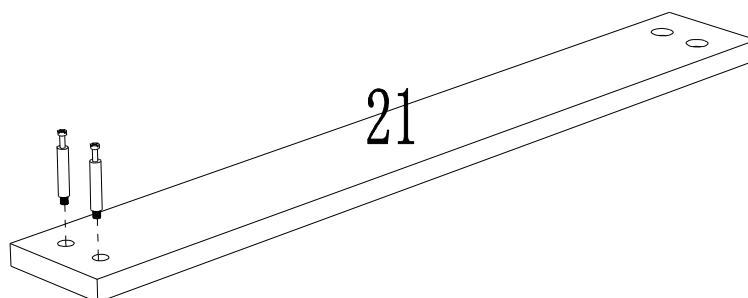
STEP 27

C  x2





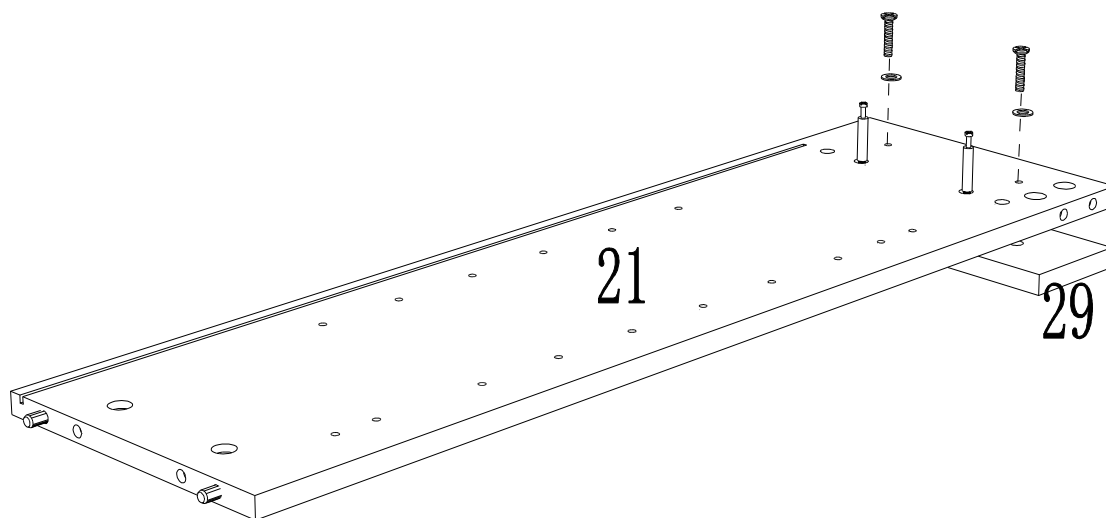
STEP 28

A  x2



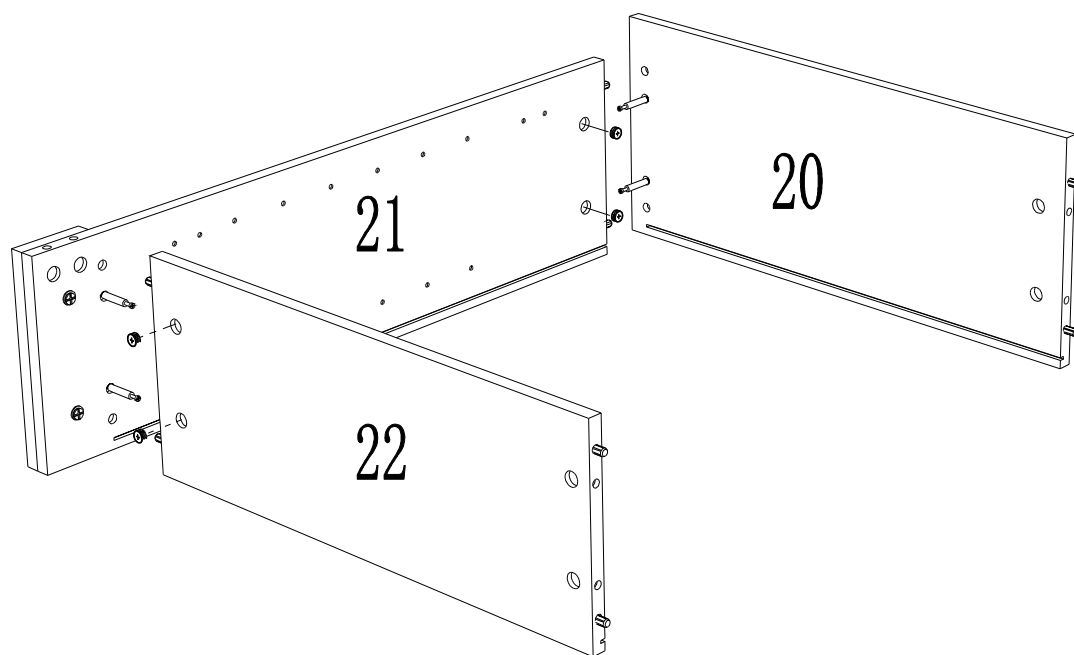
STEP 29

- D  ×2
- E  ×2



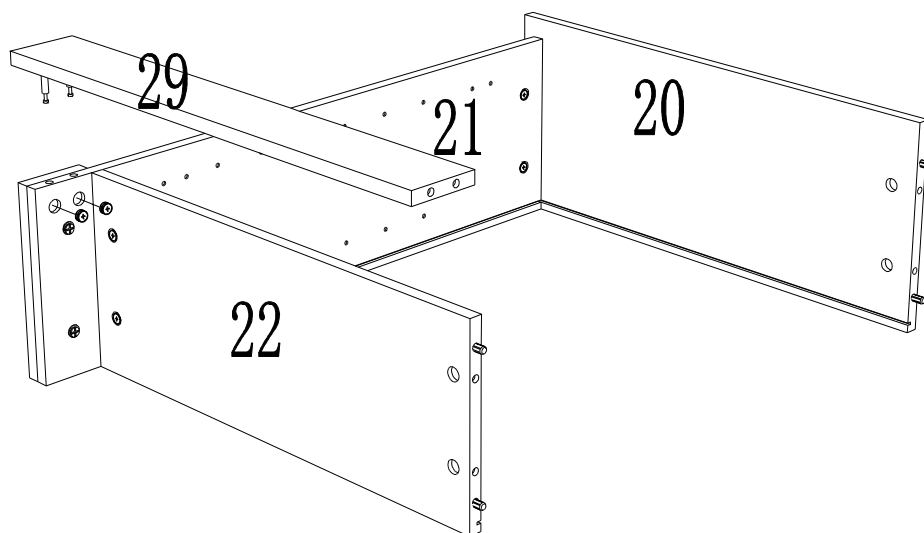
STEP 30

- B  ×4

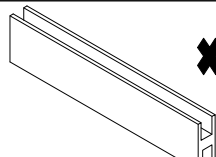


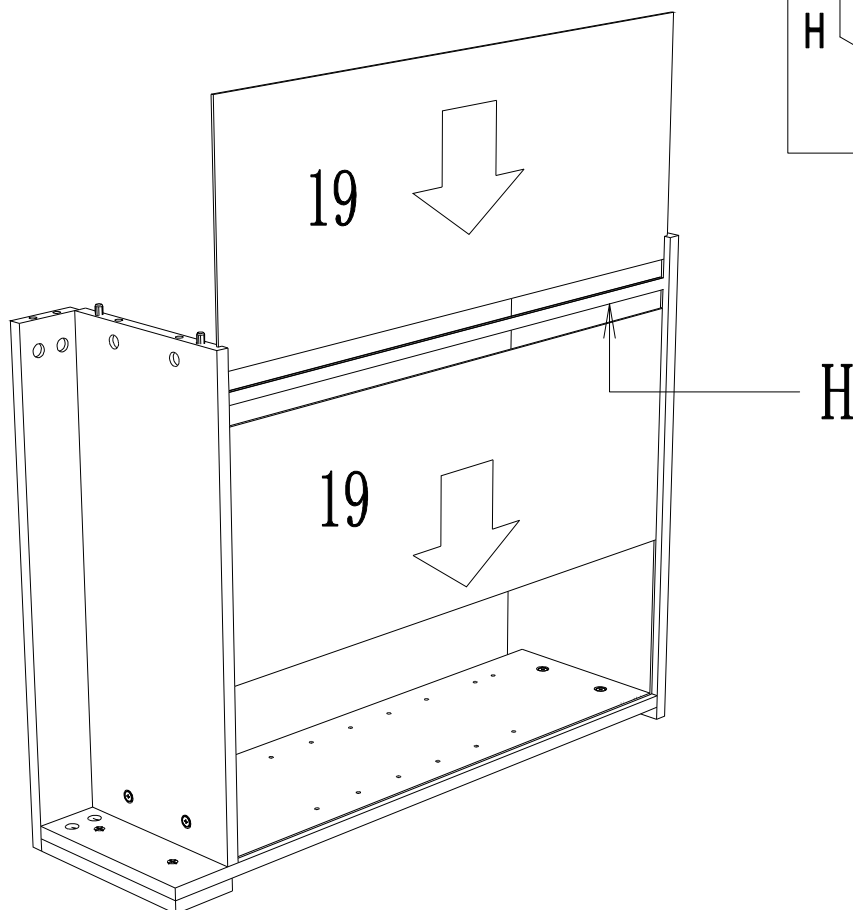
STEP 31

B  ×2



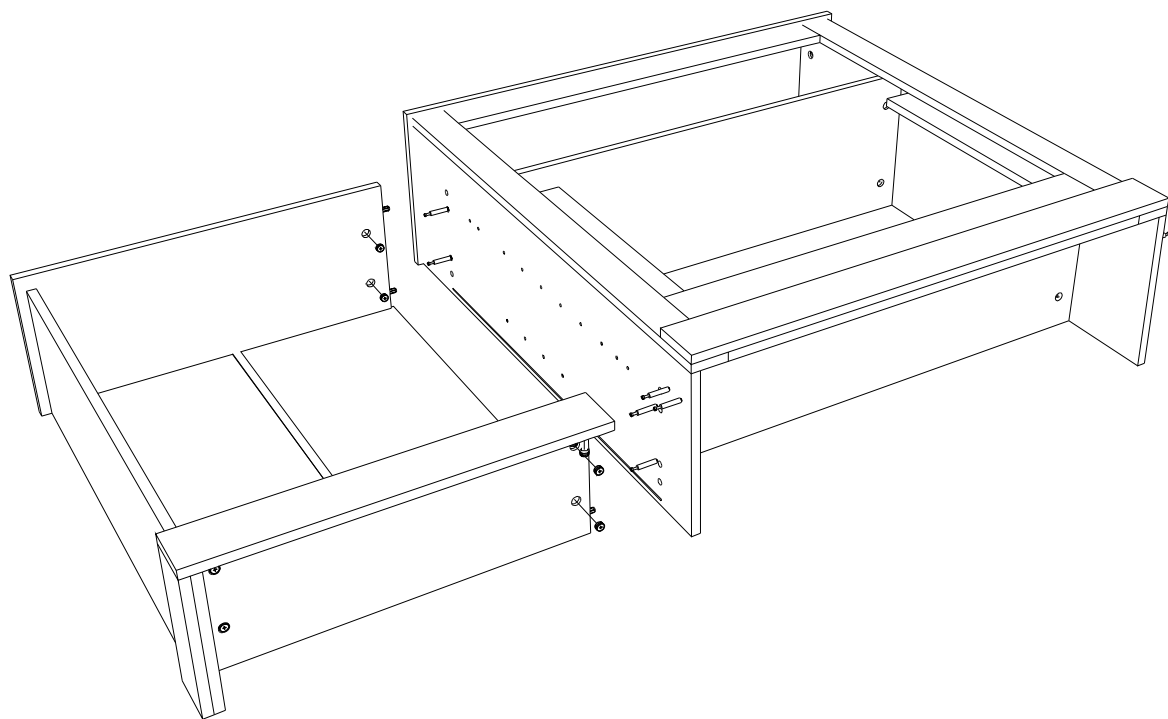
STEP 32

H  ×1



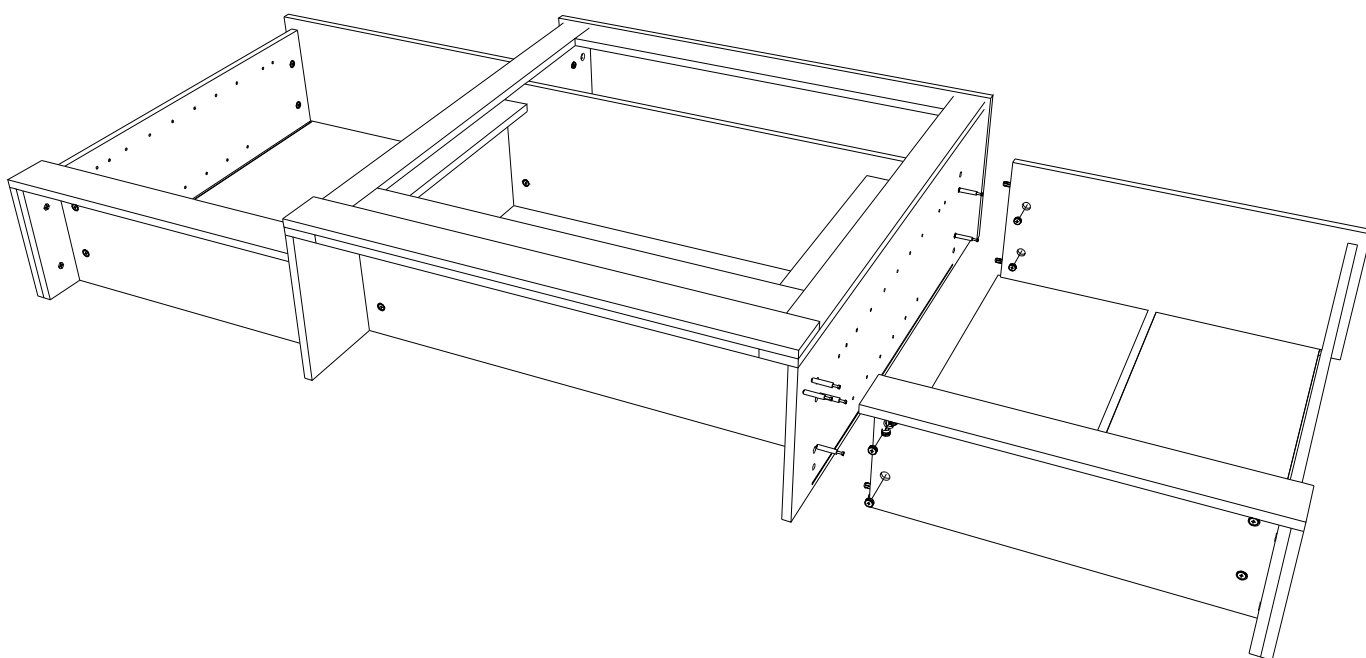
STEP 33

B  6

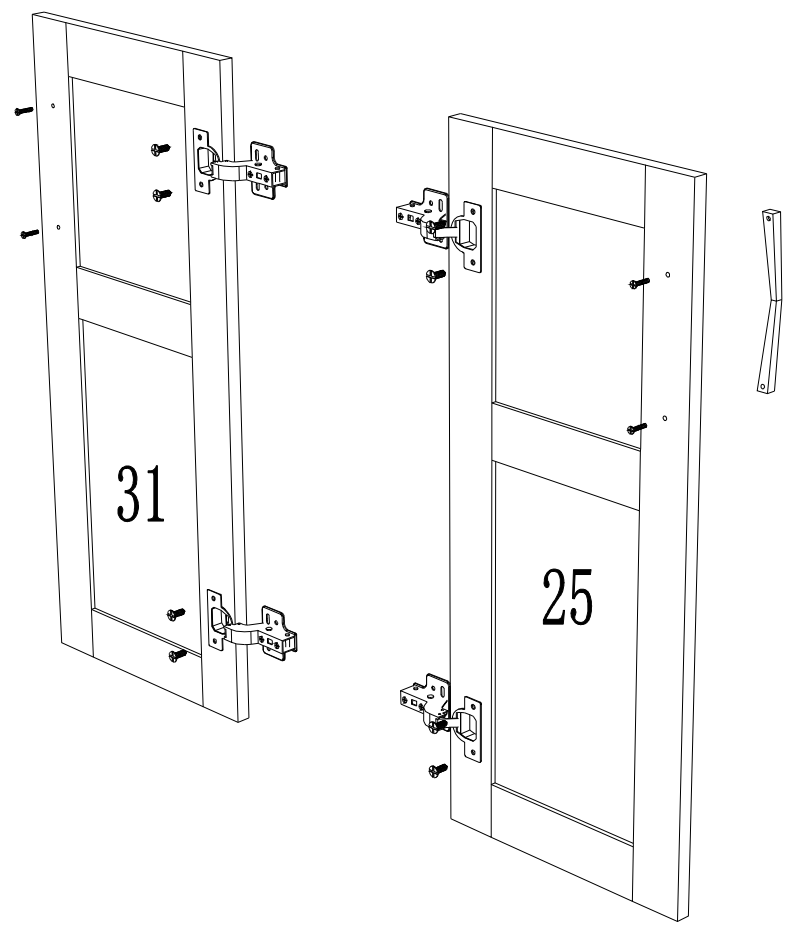


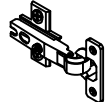



STEP 34

B  6

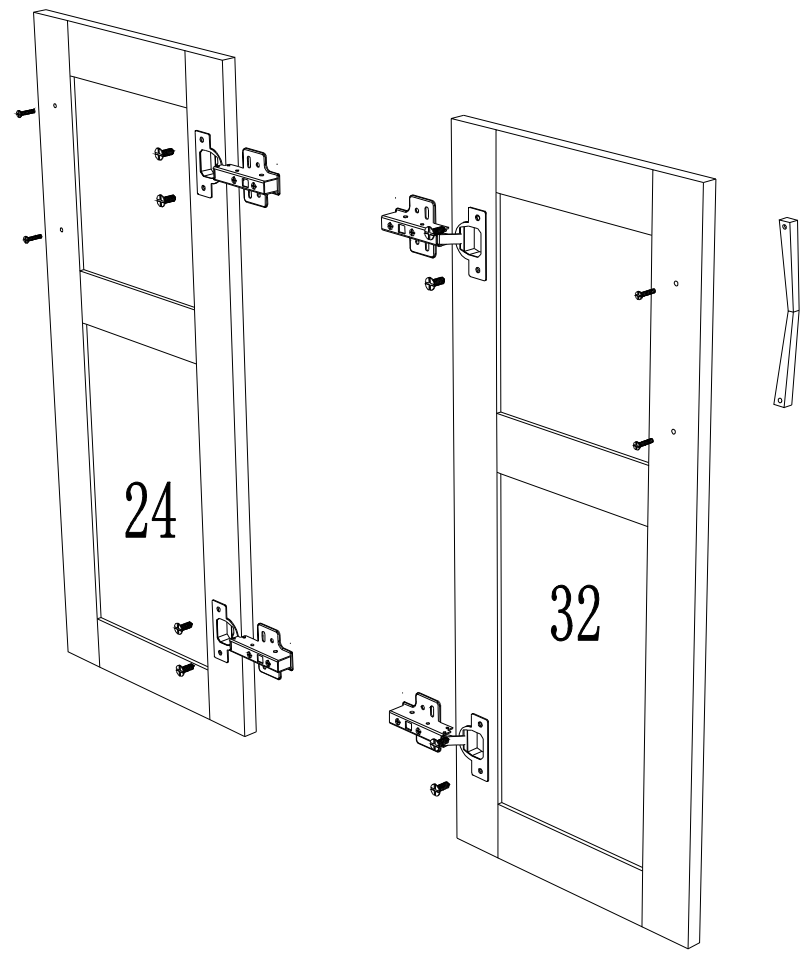


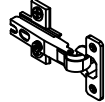
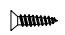


STEP 35



- F  ×4
- I  ×4
- L  ×4
- K  ×2

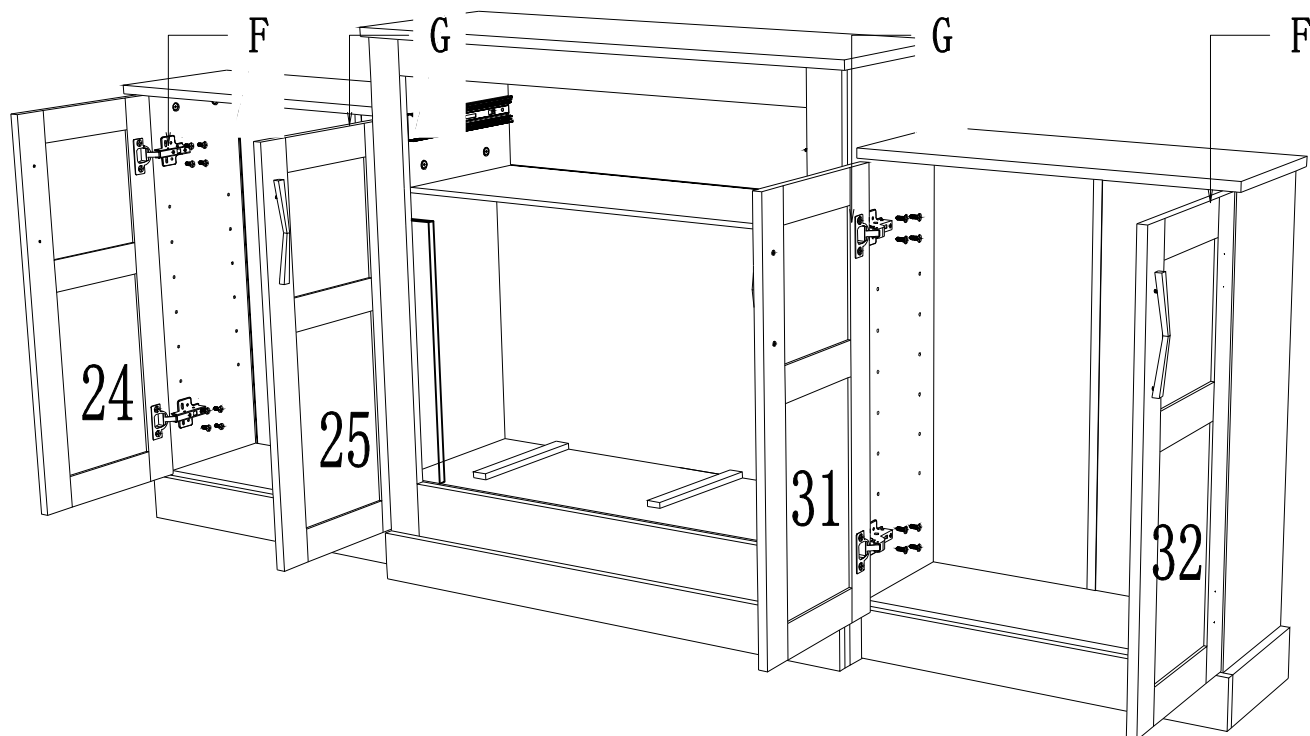
STEP 36



- G  ×4
- I  ×4
- L  ×4
- K  ×2

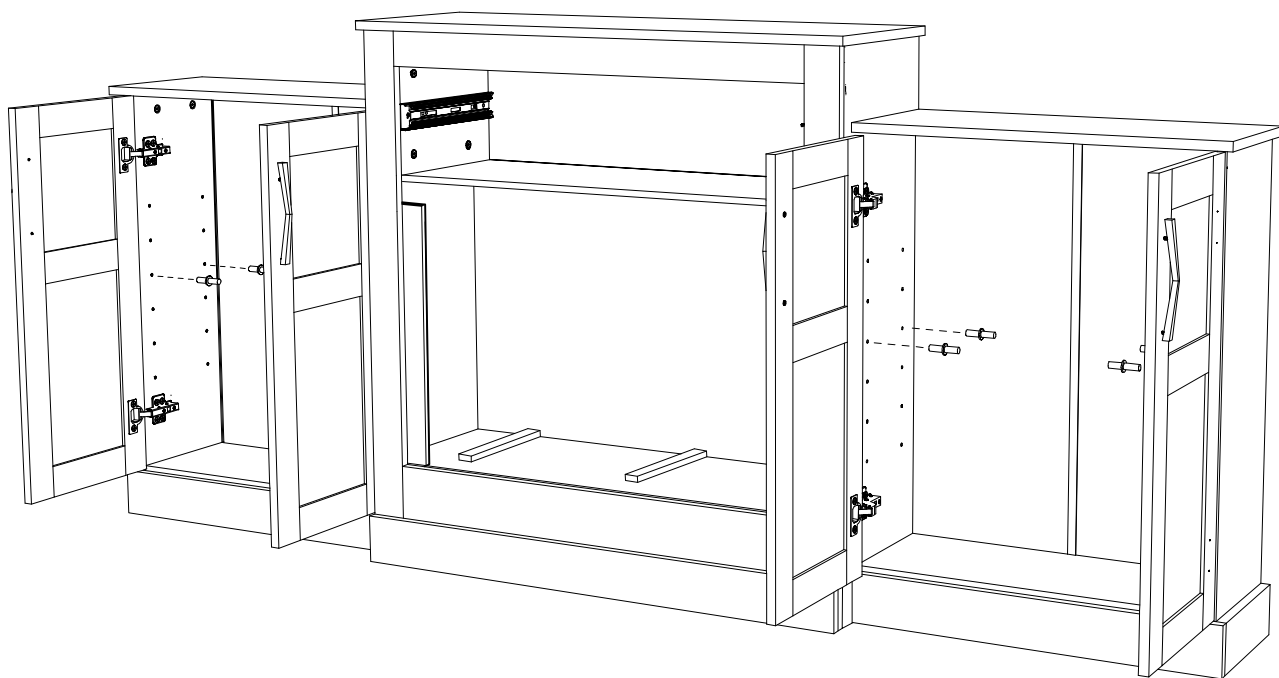
STEP 37

I  *32

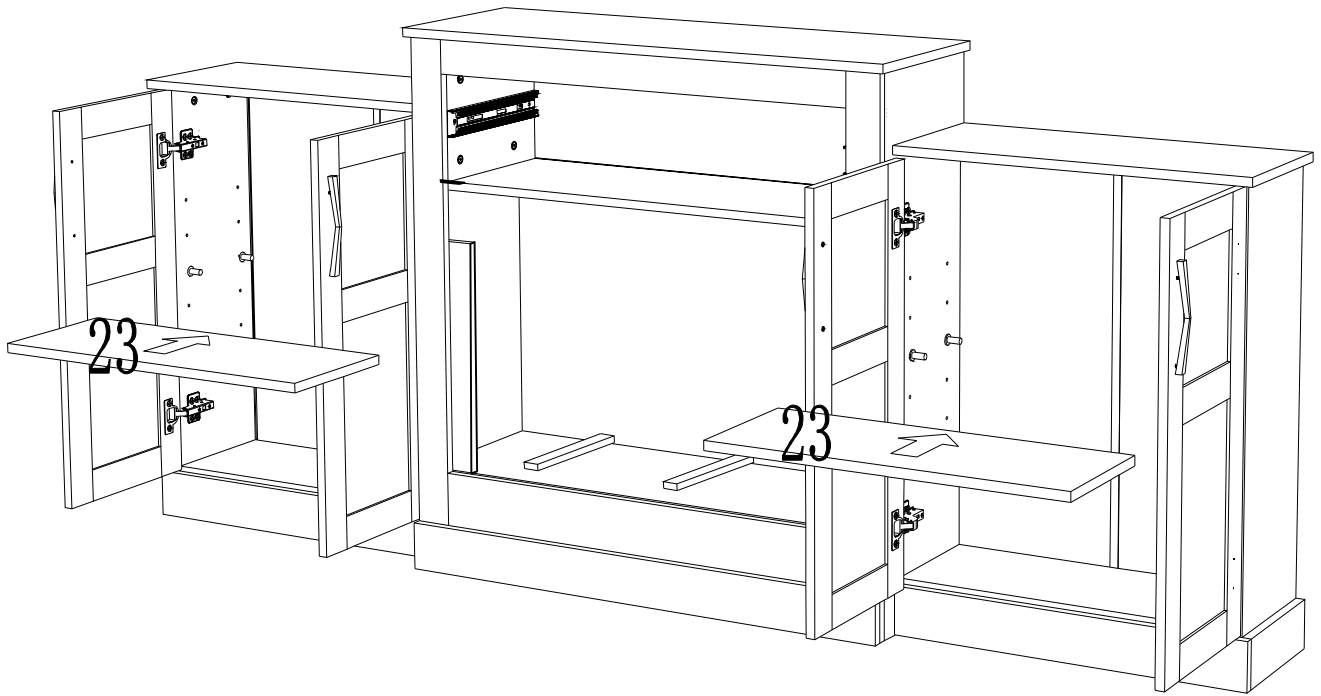


STEP 38

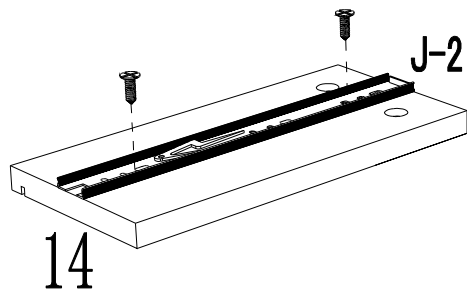
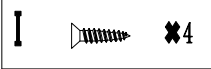
M  *8



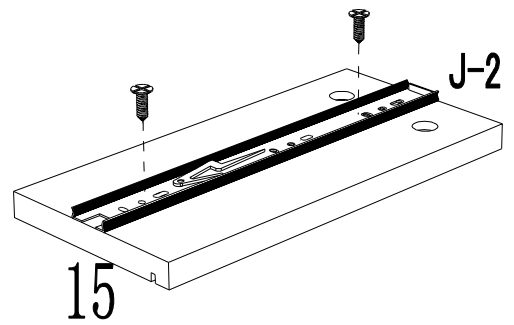
STEP 39



STEP 40




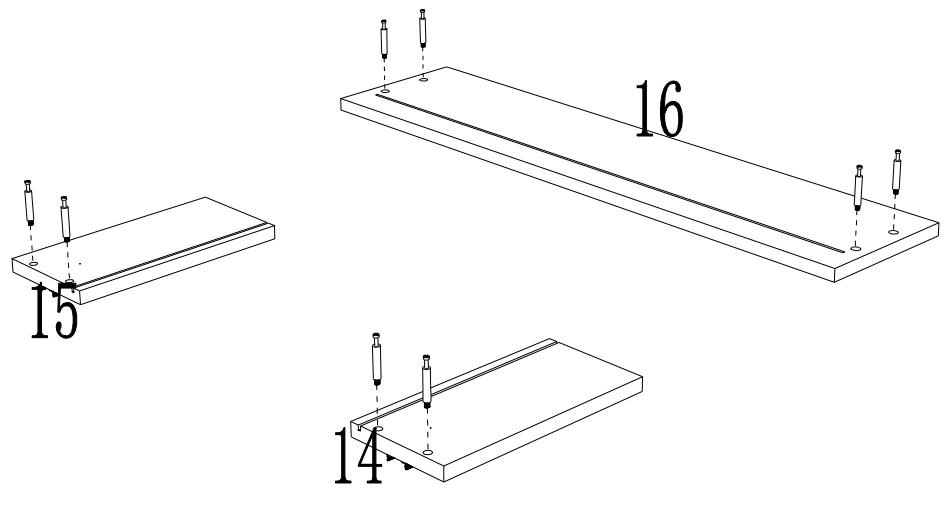
14



15

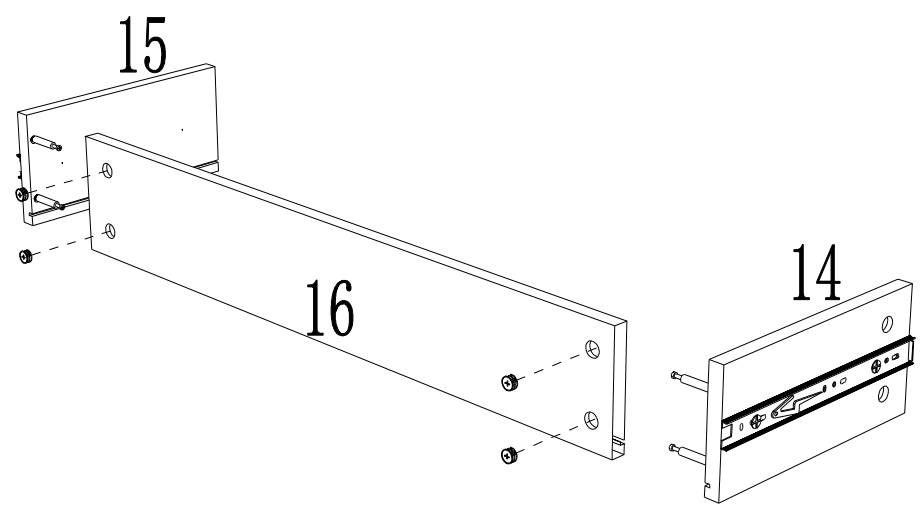
STEP 41

A  ×8

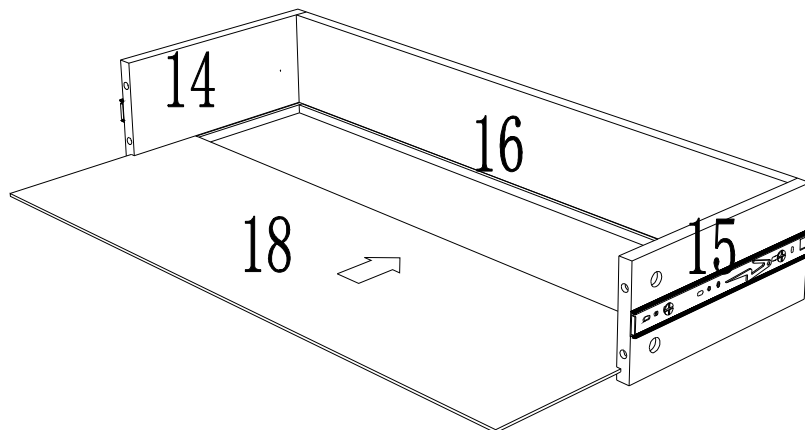


STEP 42

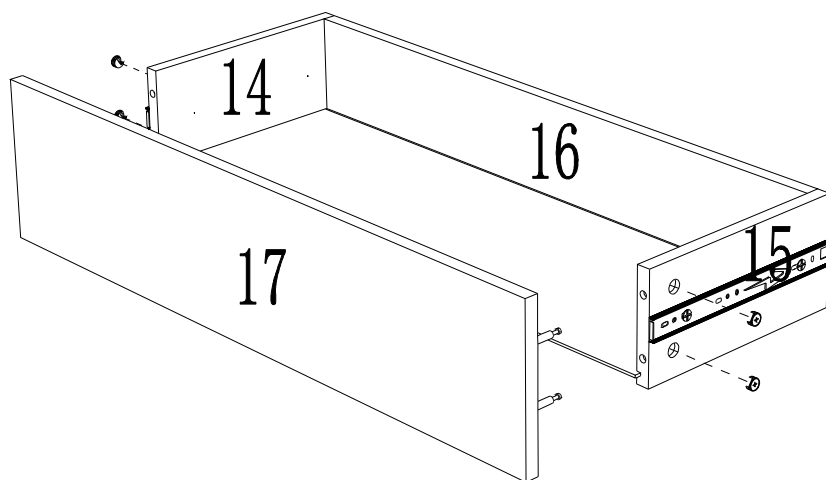
B  ×4



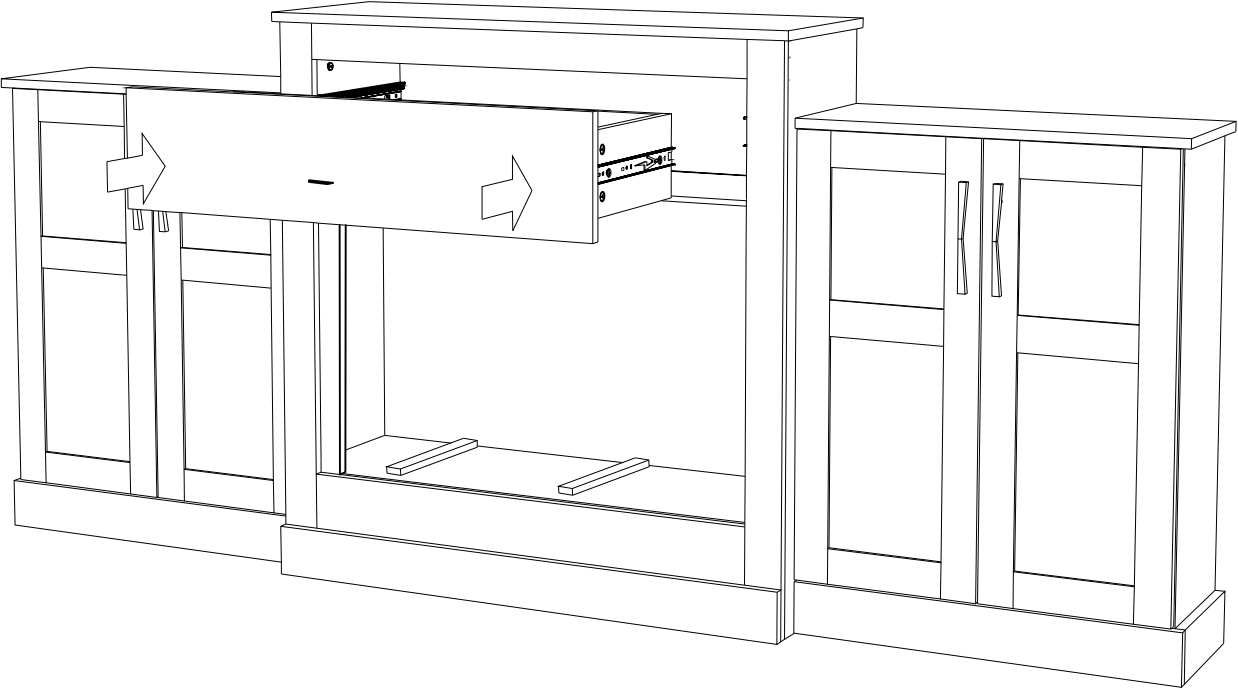
STEP 43



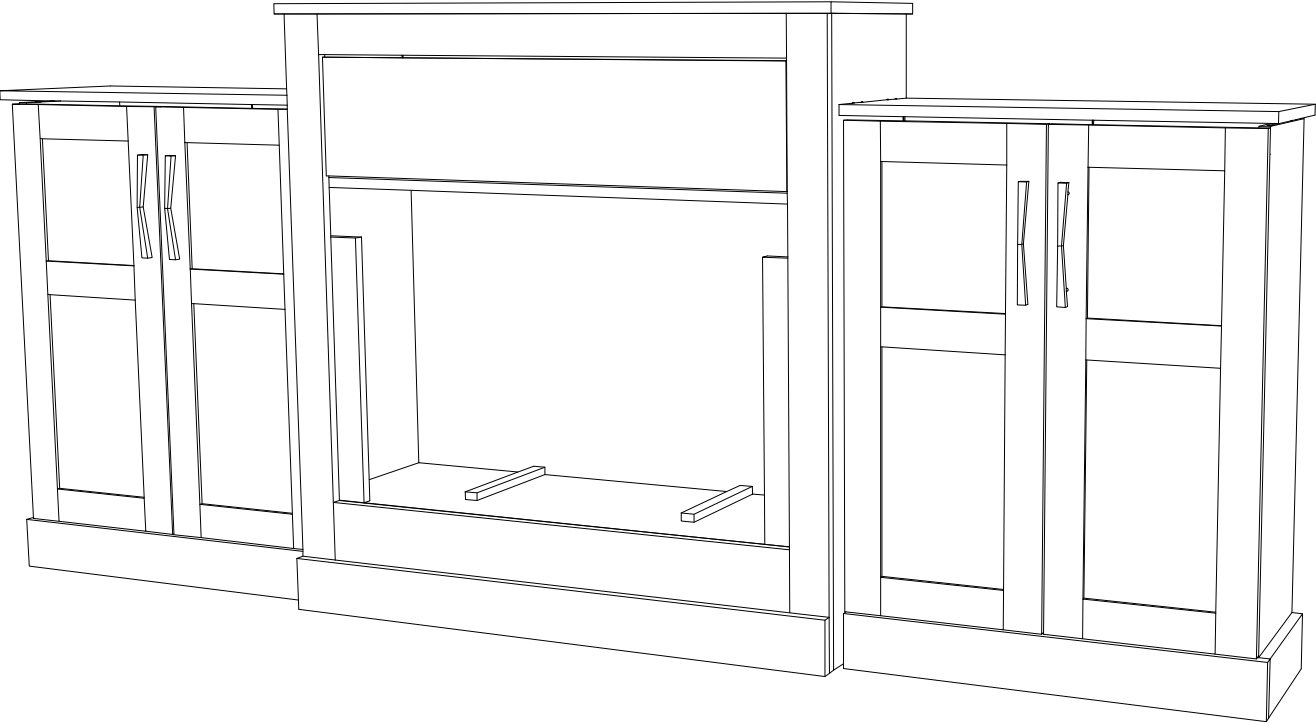
STEP 44



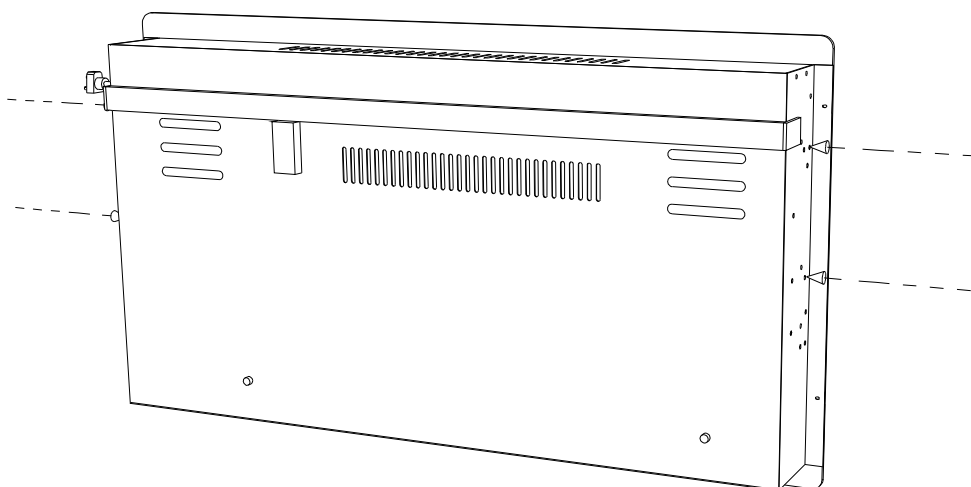
STEP 45



STEP 46

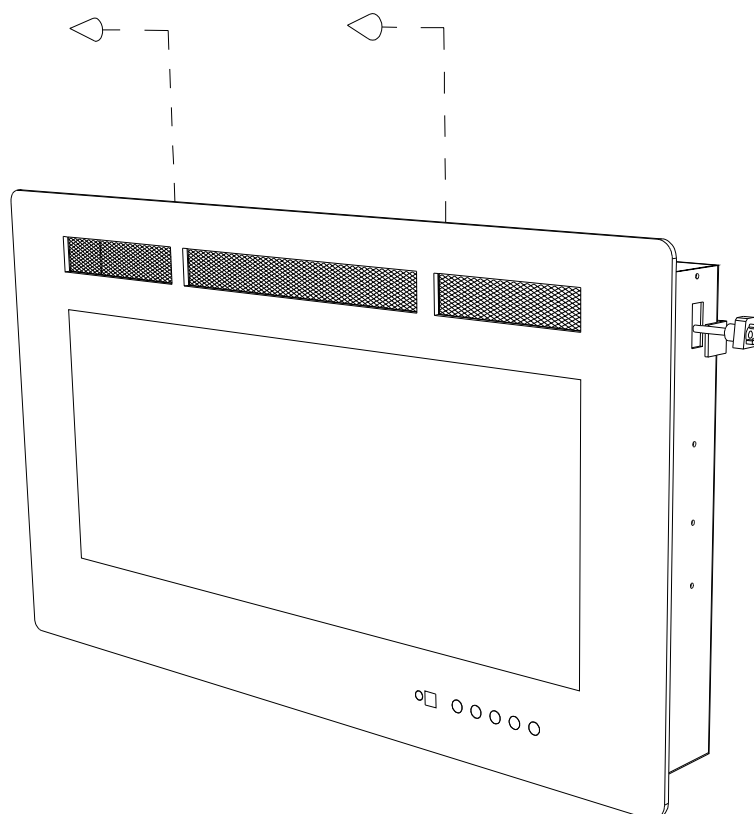


STEP 47



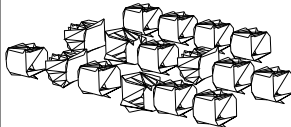
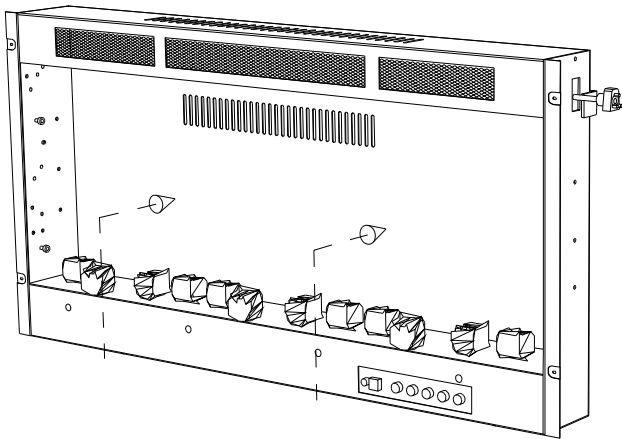
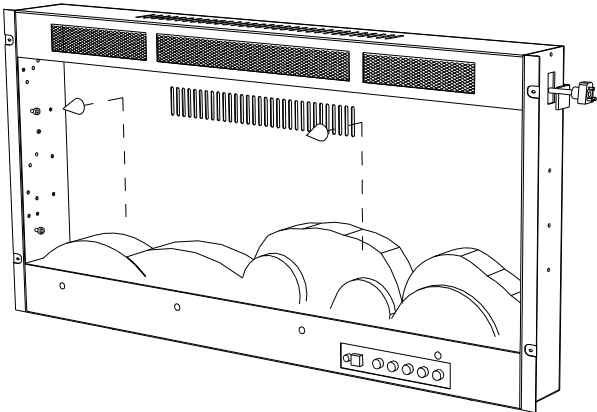
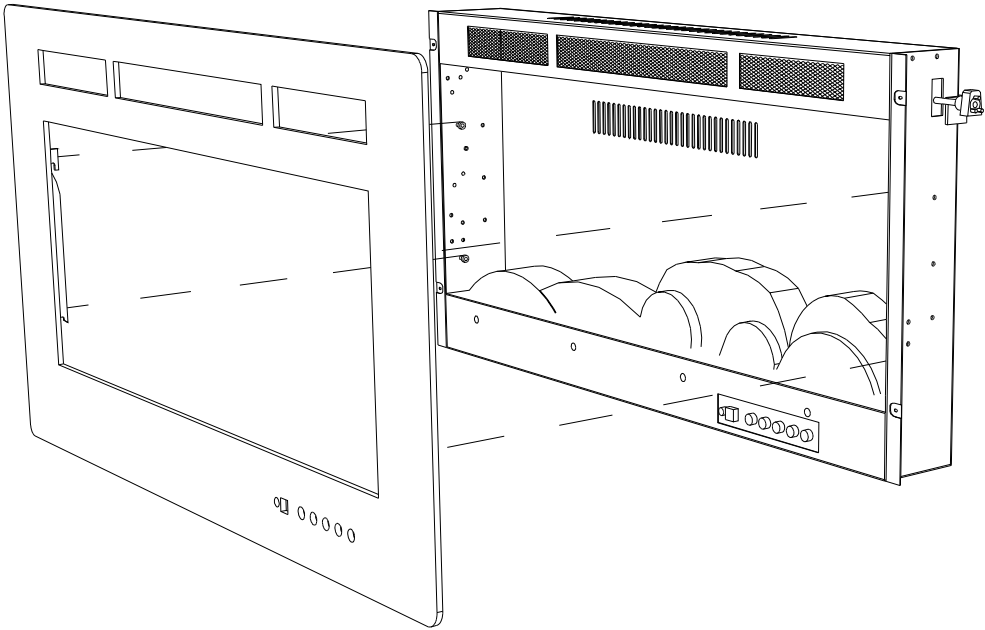
Take off the two screws in both sides of the fireplace

STEP 48



Take off the face of fireplace

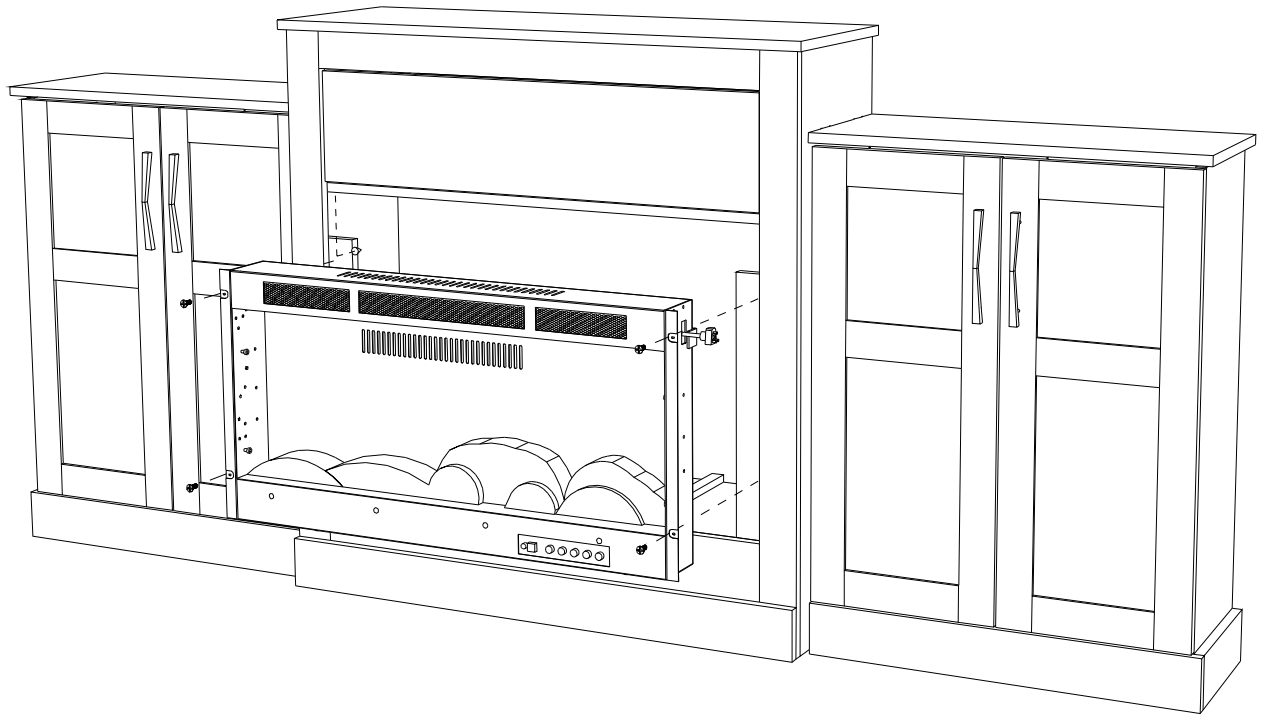
STEP 49



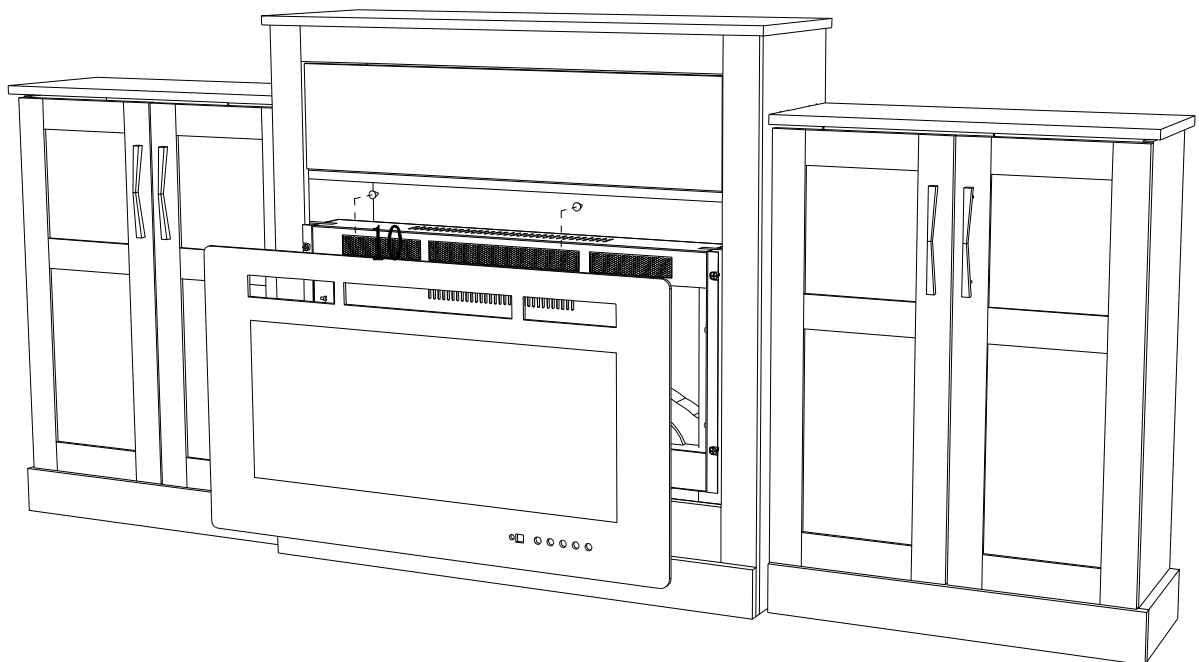
STEP 50

I  4


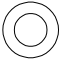
SELF-TAP SCREW LOCK TO PANEL DIRECTLY

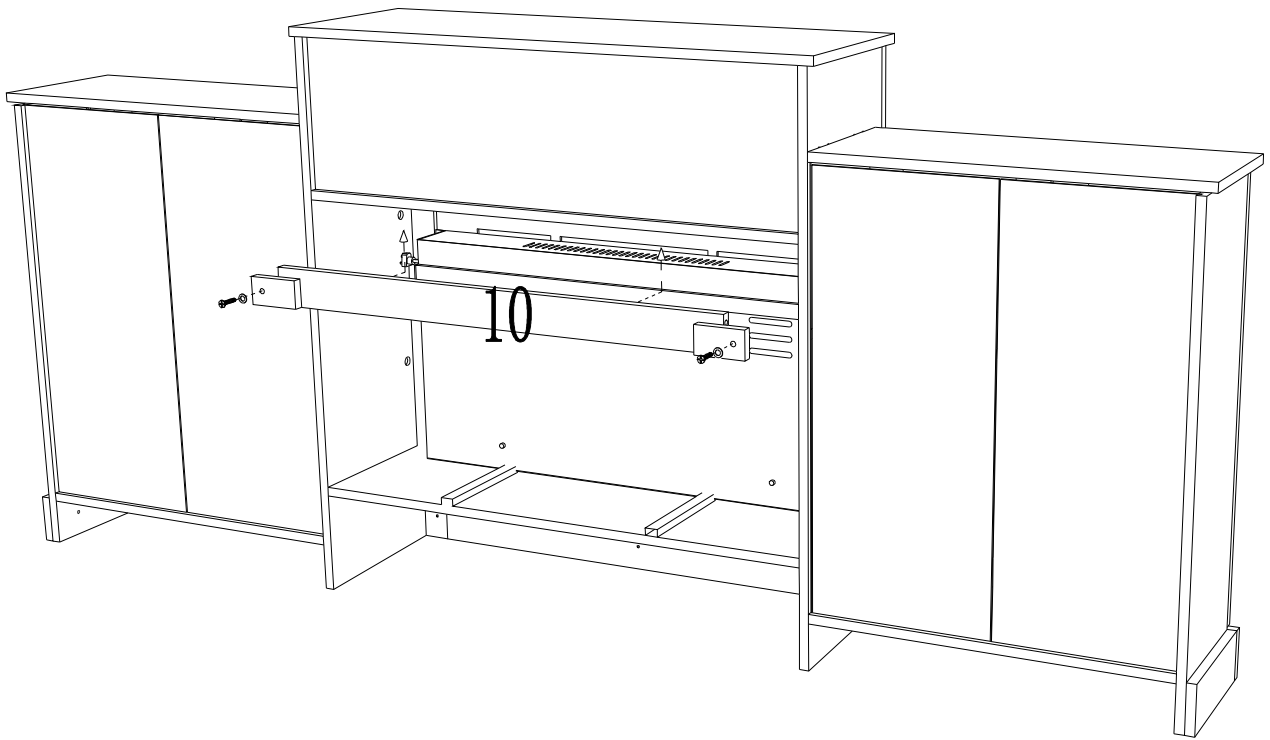


STEP 51

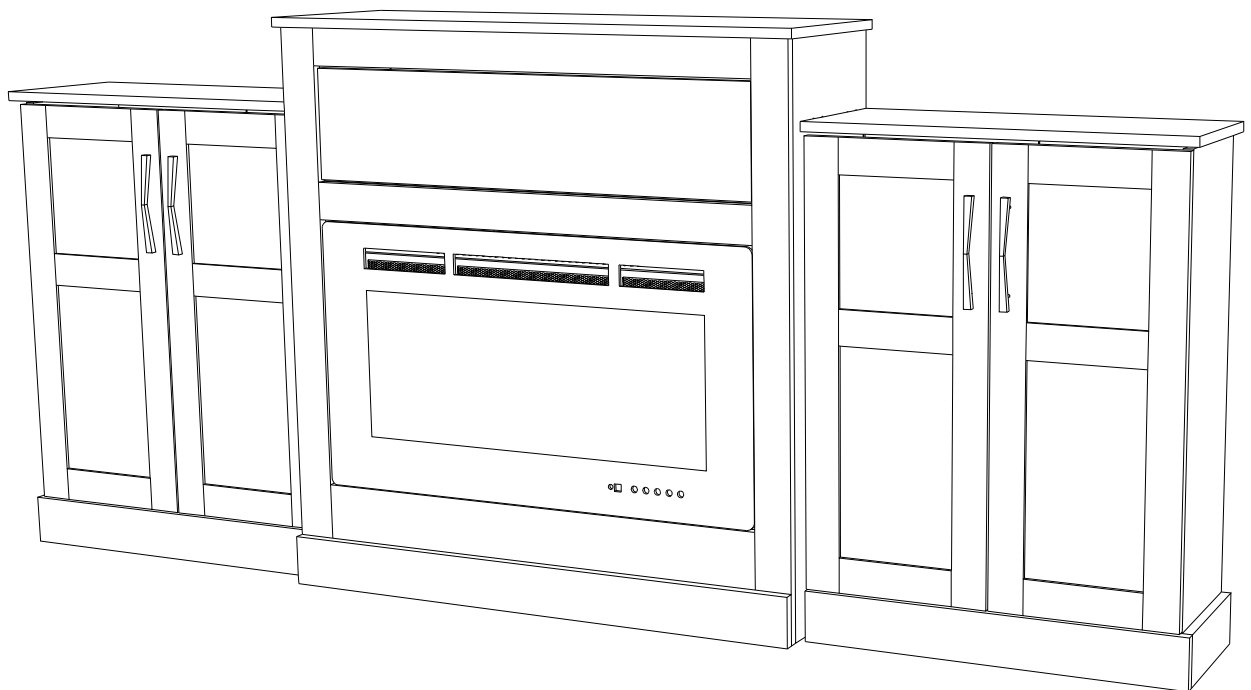


STEP 52

- | | | |
|---|---|----|
| D |  | ×2 |
| E |  | ×2 |

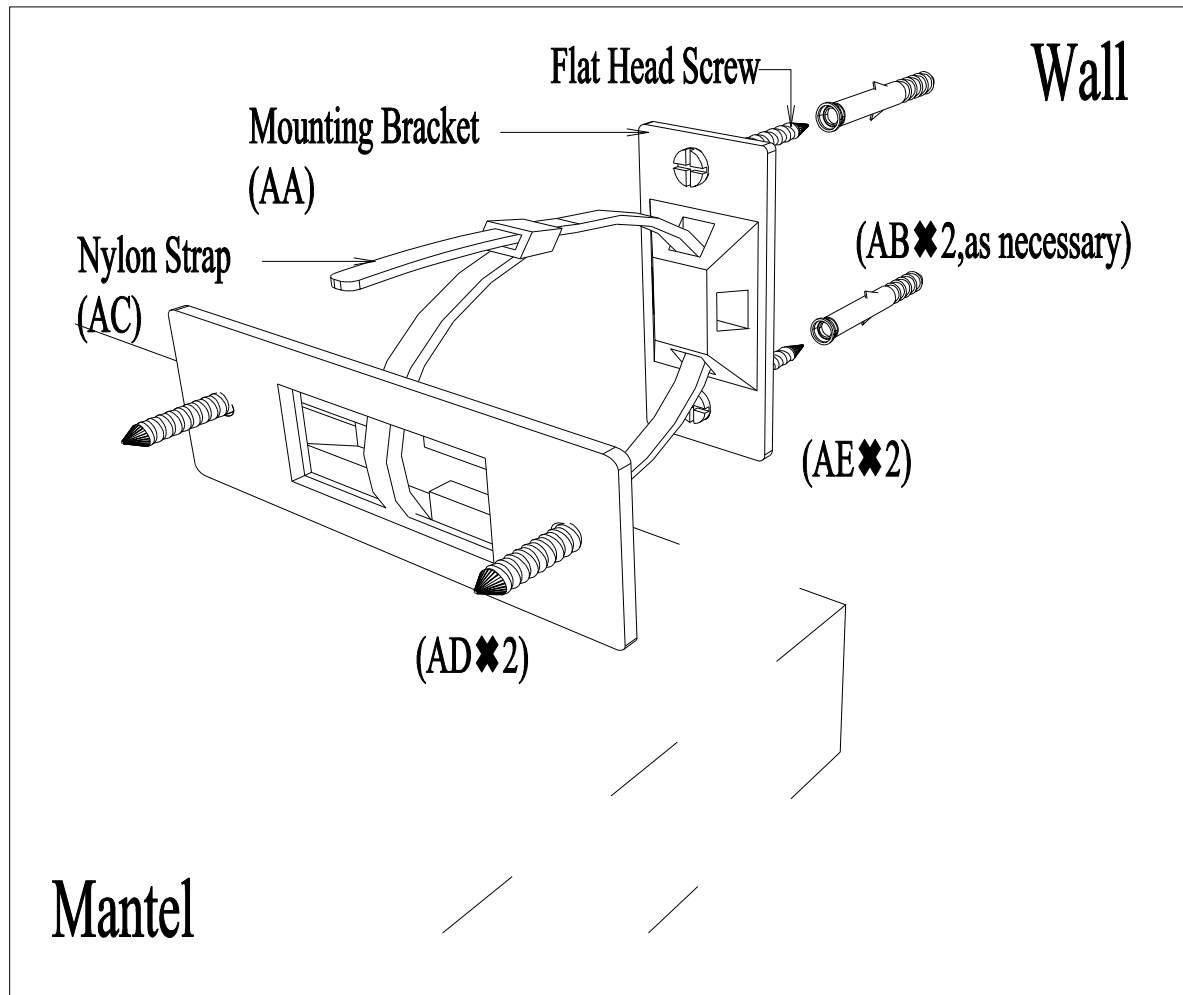


STEP 53



Assembly

Anchoring the media console



Care and maintenance



Do not use abrasive or chemical cleaners. Discolouring or damage to finish may result.
Clean media console with a non-abrasive cloth. Clean as often as necessary.

NOTE:

Excessive sun exposure may cause discolouring or fading of media console finish.