

LINARI

HEXANOVA 60 SMART CEILING FAN

Owner's Manual



PLEASE READ AND SAVE THESE INSTRUCTIONS FOR FUTURE USE.

Model #: HEX-60-*****

Net Weight: 12.57 lbs (5.7kg)

Page 1



© 2025 LINARI LLC | LINARIFANS.COM
V1/2025

Register your ceiling fan at www.linarifans.com

Please register your Linari ceiling fan immediately after purchase. Registration is an essential first step that enables us to serve you better and faster.

All Linari ceiling fans are backed by our Limited Lifetime Warranty. Detailed warranty information can be found at the back of this manual and on our website.

Attach your sales receipt to this manual and fill in the information below for your records:

Date of Purchase: _____ MPO # : _____

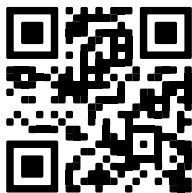
Retailer Name + Location: _____

Table of Contents

Pg. 4.....	Important Safety Warnings and Instructions
Pg. 5.....	Installation Requirements
Pg. 6.....	Required Tools + Package Contents
Pg. 7-10.....	Fan Installation
Pg. 11.....	Electrical Connections
Pg. 12.....	Fan Installation Continued
Pg. 13.....	SMART by Bond
Pg. 14.....	Remote Control Set Up and Pairing Process
Pg. 15.....	Operation
Pg. 16.....	Care and Maintenance and Energy Guide
Pg. 17.....	Troubleshooting
Pg. 18.....	Limited Lifetime Warranty

Activating your New Smart Fan - downloading the Bond Home App

- Using your smart device, navigate to the application store (Apple App store or Google Play). Download the free **Bond Home App**, and create an account.
- Ensure the Fan and receiver are receiving power from the house supply using the remote control to turn the fan and light on and off.
- Open the Bond Home App on your smart device and follow step-by-step instructions included in the app to add your fan.
- Enjoy fan features & functionality that you can only get from activating the fan through the app.



Important Safety Warnings and Instructions

PLEASE READ CAREFULLY BEFORE BEGINNING THE INSTALLATION PROCESS. SAVE THIS DOCUMENT FOR FUTURE REFERENCE.

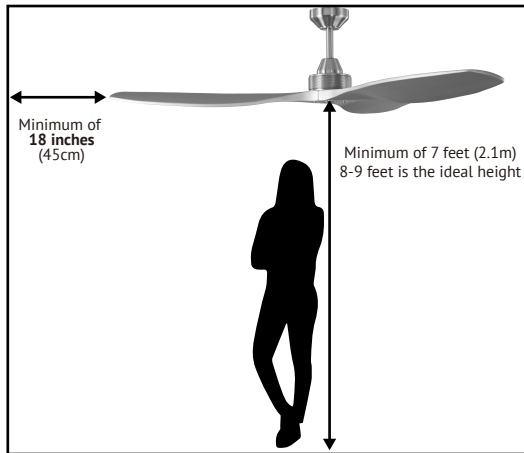
IMPORTANT: Installation work and electrical wiring should be made or approved by a licensed electrician or qualified person(s). All wiring must be in accordance with Local and National codes (ANSI/NFPA 70). If you have any doubts about installing your outlet box, mounting system, or ceiling fan, please secure the services of a qualified electrician.

- 1) Use this unit only in the manner intended by the manufacturer and review all information and diagrams carefully before beginning installation. Be mindful of all cautions and warnings throughout.
- 2) **WARNING:** To avoid risk of electric shock, be sure electricity is turned off at the main circuit breaker or fuse box and remains off during ceiling fan installation, light kit installation, fan servicing, and cleaning.
- 3) Ensure your installation site has enough clearance. Blades should be at least 7 feet from the floor and able to rotate without obstruction. See diagram on pg. 5.
- 4) **WARNING:** To reduce risk of fire, electric shock, or other personal injury, mount your ceiling fan to an outlet box marked acceptable for fan support of 35lbs (15.9kg) and use the mounting screws provided with the outlet box. See diagram on pg. 5.
- 5) **CAUTION:** When cutting or drilling into a wall or ceiling, be careful not to damage electrical wiring or other hidden utilities.
- 6) **WARNING:** After making the wire connections, the wires should be spread apart with the grounded conductor and the equipment-grounding conductor on one side of the outlet box and ungrounded conductor on the other side of the outlet box. The splices, after being made, should be turned upward and pushed carefully up into the outlet box.
- 7) **CAUTION:** For compliance with local codes and regulations, if installing the secondary support safety cable in the U.S., DO NOT remove knockouts in the outlet box. Mount the secondary support cable through the reserved nail/screw hole on the outlet box to the building structure (or the ceiling joist). Attach the mounting bracket using only the hardware supplied with the outlet box.
- 8) **WARNING:** To reduce risk of personal injury, do not bend the blades during installation, balancing, or cleaning.
- 9) **WARNING:** Do NOT insert any object(s) between the blades when they are rotating.
- 10) **WARNING:** TO REDUCE THE RISK OF ELECTRIC SHOCK, THIS FAN MUST BE INSTALLED WITH A GENERAL USE ISOLATING WALL CONTROL/SWITCH.
- 11) **WARNING:** To reduce the risk of fire or electric shock, do not use this fan with any other solid state fan speed control device, or variable speed control. Do not use an incandescent light dimmer.
 - If this unit is to be installed over a tub or shower, it must be marked as appropriate for the application.
 - Never place a switch where it can be reached from a tub or shower.
- 12) **WARNING:** This product is designed to use only those parts supplied with this product and/or accessories designated specifically for use with this product. Using parts and/or accessories not designated for use with this product could result in personal injury or property damage.
- 13) **CAUTION:** Do not ingest battery – CHEMICAL BURN HAZARD. Keep batteries away from children.
 - If the battery cover on the back of the remote control is damaged, missing, or in any way not secure, stop use and keep away from children.
 - If you think batteries might have been swallowed or placed inside any part of the body, seek immediate medical attention.
- 14) **CAUTION:** The light source is designed for this specific application and can overheat if serviced by untrained personnel. If any servicing is required, the product should be returned to an authorized service facility for examination or repair.
- 15) **WARNING:** If unusual oscillating movement is observed, immediately stop using the ceiling fan and contact the manufacturer, its service agent or a suitably qualified person.
- 16) All screws must be checked and re-tightened where necessary before installation.
- 17) **NOTE:** This fan is suitable for use in **dry** and **damp** locations.

These important safety warnings and cautions are not meant to cover all possible scenarios that may occur. Please always use common sense and caution when installing and operating your new ceiling fan.

Installation Requirements:

Fan Location:



Mounting:

Figure 1:

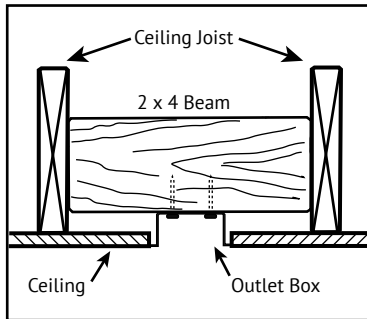
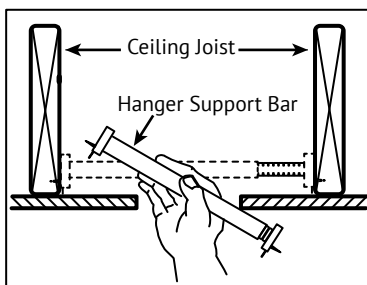


Figure 2:



1. Ensure the location you choose to install your fan has enough clearance, ideally in the center of the room.
 - **IMPORTANT:** Confirm a clearance of 7 feet, at minimum, from the floor to the blades. If the ceiling height allows, install 8-9 feet above the floor for optimal airflow.
 - **IMPORTANT:** The fan blades should spin without obstruction and have a clearance of at least 18 inches (45cm) from the tip of the blade to the nearest wall.
2. A grounded electrical supply of 120 volts AC, 60Hz, 15 amp circuit is required to install your new ceiling fan.

WARNING: To avoid possible electrical shock, be sure electricity is turned off at the main fuse box before installation. Turning off the wall switch is not sufficient.


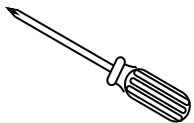
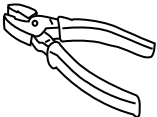




3. Due to its weight and motion, your ceiling fan requires a UL listed outlet box marked acceptable for fan support.
Most standard outlet boxes used to support light fixtures in the home are not acceptable to support ceiling fans.
 - **Reminder:** Disconnect the power at the main breaker or fuse box.
 - Locate the ceiling joist where your fan is to be mounted. If not already present, mount a UL listed outlet box "**acceptable for fan support**" following the instructions provided with your outlet box. **See Figure 1.**

WARNING: This outlet box and its support must be able to support a minimum of 35 pounds (15.9kg). The outlet box should be secured directly to the building structure.

- To hang your ceiling fan where there is an existing light fixture but no ceiling joist, you may need an installation hanger support bar. **See Figure 2.**
- This ceiling fan is suitable for flat ceilings or sloped ceilings of up to **20 degrees**.
- A longer downrod may be necessary for high ceilings.

Before moving on to installation, confirm that structural and electrical requirements have been met.
When in doubt, consult a qualified electrician.

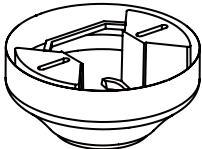

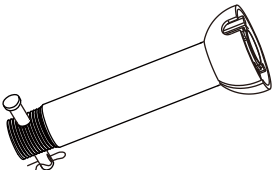

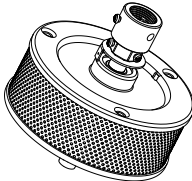
Required Tools:

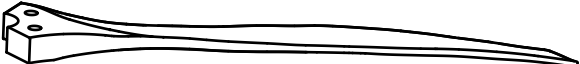
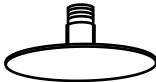
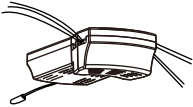
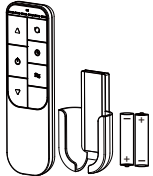
						
Hex Wrench (Provided)	Phillips Screwdriver	Wrench or Pliers	Wire Cutter	Electrical Tape	Safety Goggles	Step Ladder




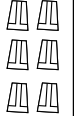


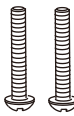



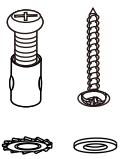

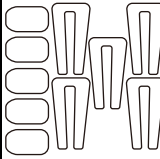
Package Contents:

IMPORANT: Do not discard the box. If warranty replacement or repair is ever necessary, the fan should be returned in the original packaging.

Remove each item from the box carefully. Examine all parts. You should have the following:

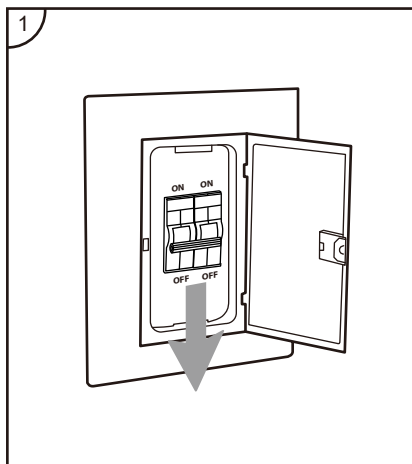
				
Canopy & Hanger Bracket	Canopy Cover	Downrod & Hanger Ball Set	Coupler Cover	Motor Assembly

			
Blade 3 Pieces	Bottom Cap	Receiver "RCV-HEX-60"	Remote Control "REM101"

												
Wood Screws 2 Pieces	Flat Washers 2 Pieces	Lock Washers 2 Pieces	Wire Nuts 6 Pieces	Wire Nuts for Earth 1 Piece	Additional Canopy Screw 1 Piece	Outlet Box Screws 2 Pieces	Spring Washers 2 Pieces	Blade Screws 7 Pieces	Blade Countersinks 7 Pieces	Clamp, Wood Screw, Lock Washer, Flat Washer 1 Set	Safety Cable 1 Piece	Balance Kit: Balance Clips Balance Weights 5 Pieces Each

WARNING: Do not install or use the fan if any part is damaged or missing. This product is designed to use only those parts supplied with this product or any accessories specifically designed for use with this product. Substitution of parts or accessories not designated for use with this product could result in personal injury or property damage. Contact your retail store for missing or damaged parts.

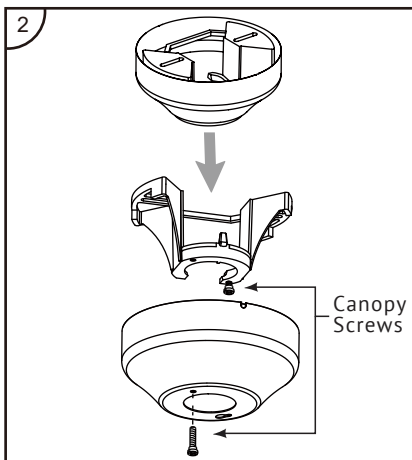
Fan Installation:



Step 1: Before you begin installing your ceiling fan, locate your home's main circuit breaker box and switch the power off. **Turning off a wall switch is not sufficient.**

Reminder: A grounded electrical supply of 120 volts AC, 60Hz, 15 amp circuit is required to install your new ceiling fan.

WARNING: To avoid risk of electric shock, be sure electricity is turned off and remains off during fan installation. All wiring must be in accordance with Local and National codes. If you are unfamiliar with installing electrical wiring and products, please enlist the services of a qualified electrician.

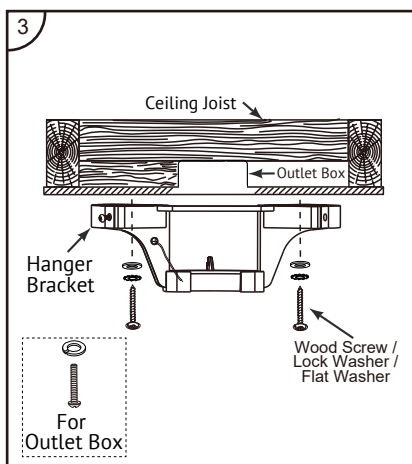


Step 2: Separate the hanger bracket from the canopy by removing 1 of the 2 screws on the circular hole and loosening the other screw.

Save the removed screw for use in later installation.

Reminder: Your ceiling fan requires a UL listed outlet box marked acceptable for fan support of 35lbs (15.9kg).

Review support requirements on Page 5 if you have not already done so before moving on.

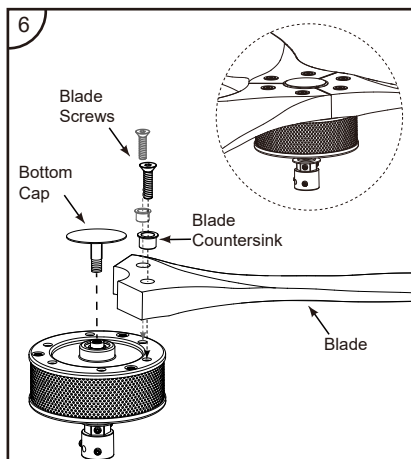
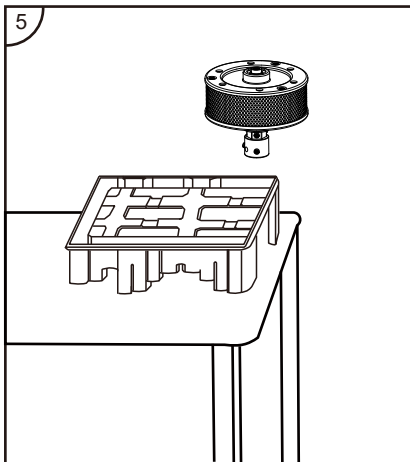
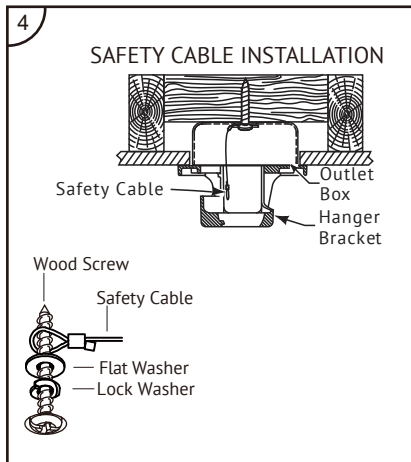


Step 3: Secure the hanger bracket to the outlet box using the screws included with your outlet box.

- Remove the two outlet box screws.
- Align the holes of the hanger bracket with the holes of the outlet box.
- Secure the hanger bracket to the outlet box using the two outlet box screws and two spring washers.

Use the wood screws, lock washers and flat washers to secure the hanger bracket if your ceiling does not come with outlet box screw holes.

Fan Installation:



Step 4: The safety cable must be installed securely into the house structure (wood ceiling joist is preferred) using the 3" wood screw, flat washer, and the lock washer provided.

- This is **required** for:
 - All ceiling fans installed in Canada.
 - Ceiling fans installed in a location open to the elements.
 - All ceiling fan and light kit combinations over 35lbs.
- **NOTE:** DO NOT REMOVE knockouts in the outlet box.

Step 5: Place the motor assembly on a stable, flat surface for blade installation.

You may use the molded paper pulp from the box to support it.

Step 6: Place the blade countersinks into the screw holes on the blade. Align the holes in the blade with the holes on the motor assembly, as shown in the illustration. Using the provided screws, attach one blade to the motor assembly.

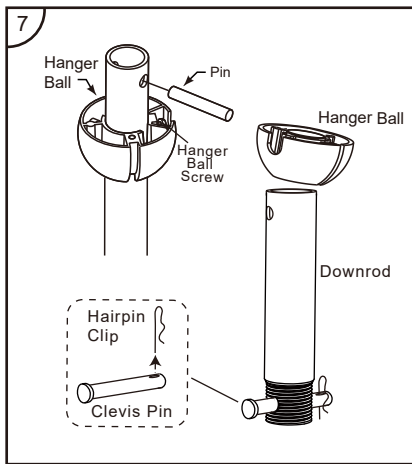
DO NOT TIGHTEN THE BLADE SCREWS.

Repeat this process for the remaining two blades. Adjust the blade positions so the seams between blades are even, then securely tighten all blade screws.

Install the bottom cap onto the motor's center shaft.

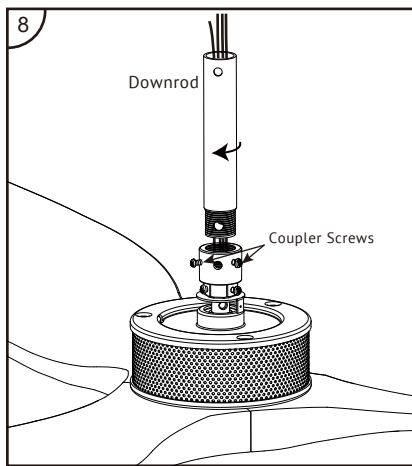
CAUTION: Failure to securely tighten the blade screws may cause the blades to fall, resulting in possible injury or damage.

Fan Installation:



Step 7: Remove the hangar ball from the downrod by loosening the screw on the hangar ball. Remove the pin and set to the side.

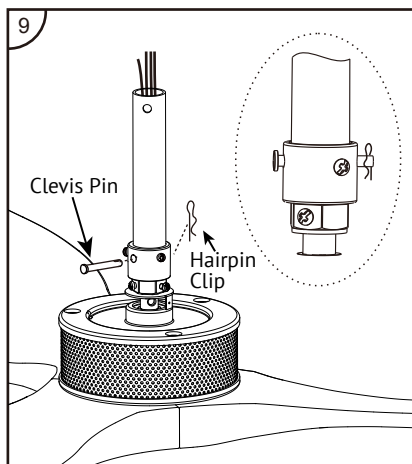
Remove the preassembled clevis pin and hairpin clip from the downrod and retain them for later installation.



Step 8: Partially loosen the coupler screws on the coupler at the top of the motor assembly.

Thread the wires and the safety cable through the downrod and insert the downrod into the coupler. Align the hole on the coupler with the hole on the downrod.

TIP: Apply a small piece of electrical tape to the ends of the electrical wires to keep them together when threading them through the downrod.

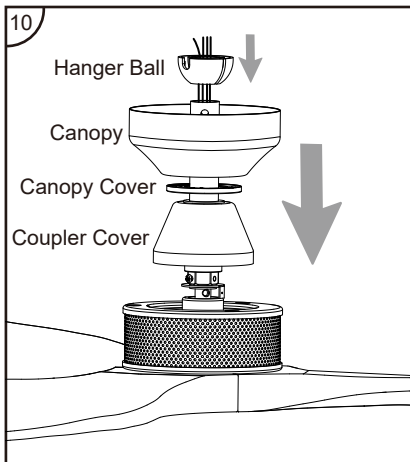


Step 9: Insert the clevis pin through the hole in the coupler and place the hairpin clip back into position.

Tighten the coupler screws.

CAUTION: Failure to properly install the clevis pin and hairpin clip could result in the fan loosening and falling.

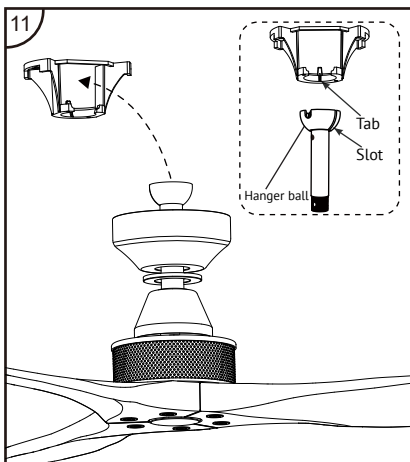
Fan Installation:



Step 10: Place the coupler cover, the canopy cover, and the canopy through the downrod in this order.

Reinstall the hanger ball back onto the downrod. Make sure the hanger ball pin and screw are **securely installed**.

CAUTION: Failure to install the hanger ball correctly may cause the fan to drop.

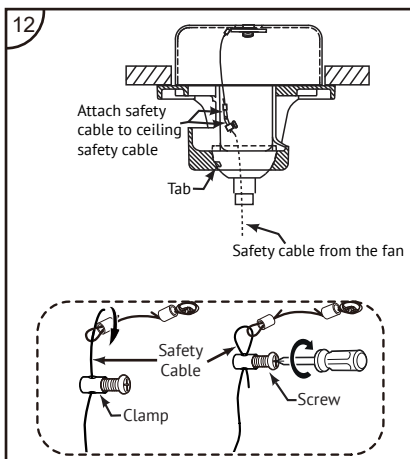


Step 11: Carefully lift the fan and hang it on the hanger bracket.

Spin the downrod to make sure the slot on the hanger ball sits correctly and aligns with the tab on the hanger bracket.

TIP: Get help from another person while hanging the fan. Have them hold the stepladder in place and help lift the fan up to you once you are in position on the ladder.

WARNING: Failure to align the slot on the hanger ball with the tab on the hanger bracket may cause the fan to drop.



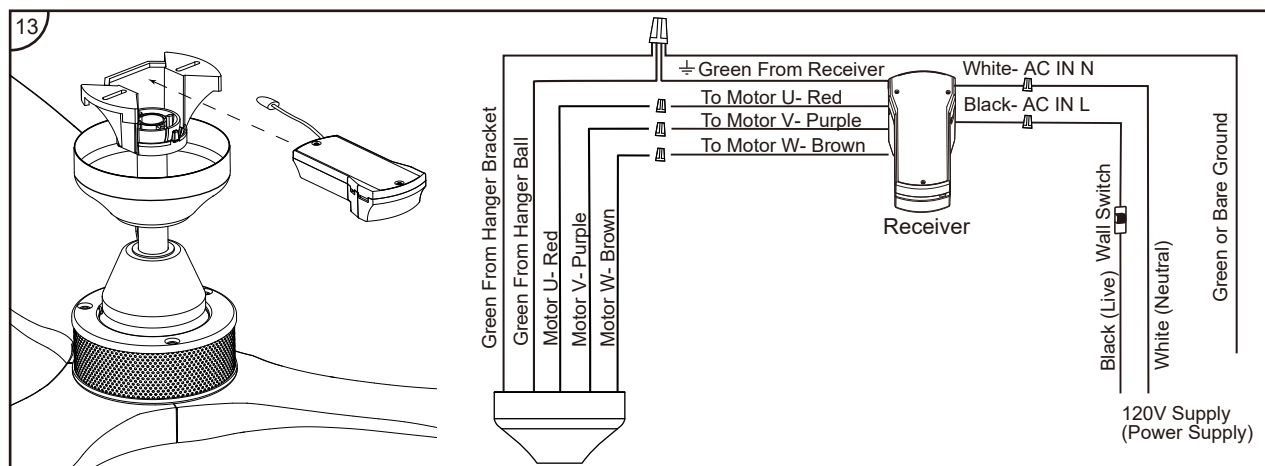
Step 12: Attach the fan's safety cable to the ceiling support safety cable installed into the building structure.

Thread the safety cable from the fan through the clamp and through the hoop of the ceiling support safety cable.

Circle the safety cable back and thread it through the clamp again.

Tighten the screw on the clamp.

Electrical Connections:



IMPORTANT: MAKE SURE THE POWER IS TURNED OFF FROM YOUR HOME'S MAIN CIRCUIT BREAKER OR FUSE BOX. IF YOU FEEL THAT YOU DO NOT HAVE ENOUGH ELECTRICAL WIRING KNOWLEDGE OR EXPERIENCE, PLEASE CONSULT A LICENSED ELECTRICIAN.

Before you begin: The wires are longer (85 inches/215 cm) to allow for use of a longer downrod in rooms with high ceilings. You will need to cut off any excess wires approximately 7 inches (18cm) from the top of the downrod before wiring your ceiling fan.

Step 13: Insert the receiver into the receiver slot on the hanger bracket.

Make wiring connections using the wire connectors provided.

- RED from the fan to RED from the receiver marked Motor U
- PURPLE from the fan to PURPLE from the receiver marked Motor V
- BROWN from the fan to BROWN from the receiver marked Motor W
- White (Neutral) from house to White from receiver marked AC IN N
- Black (Live) from house to Black from receiver marked AC IN L.
- Connect all green grounded wires to the grounded wire from the house. Use the larger wire connector.

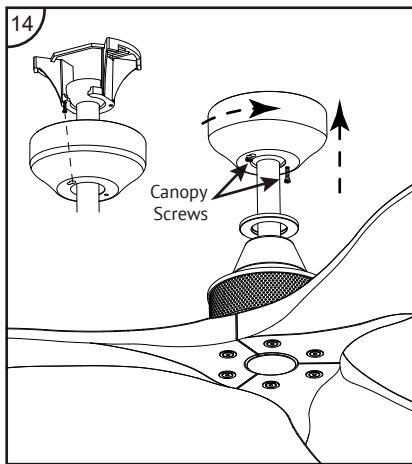
WARNING: Make sure all connections are tight and that no filaments are outside of the wire connectors.

CAUTION: After making the wire connections, the wires should be spread apart with the grounded conductor and the equipment-grounding conductor on one side of the outlet box and the ungrounded conductor on the other side of the outlet box. The splices after being made should be turned upward and pushed carefully up into the outlet box.

WARNING: To avoid possible fire or electric shock, make sure that the electrical wires are all completely inside the canopy.

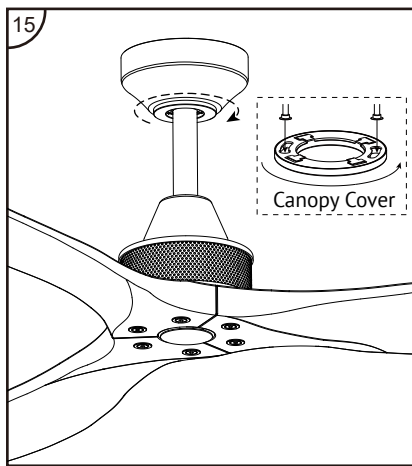
WARNING: TO REDUCE THE RISK OF ELECTRIC SHOCK, THIS FAN MUST BE INSTALLED WITH A GENERAL USE ISOLATING WALL CONTROL/SWITCH.

Fan Installation Continued:

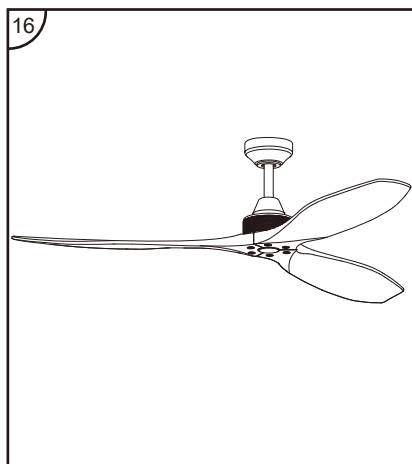


Step 14: Raise the canopy to the hanger bracket, aligning the loosened canopy screws in the hanger bracket with the slotted holes in the canopy.

Twist the canopy clockwise to lock and reinstall the canopy screws which were removed in Step 2. Tighten all screws securely.



Step 15: Install the canopy cover by aligning the key holes with the canopy screws. Twist the canopy cover clockwise to secure it to the canopy.



Step 16: Installation complete.

Setup Smart By BOND:



1. Download the Bond Home App.
2. Open the BOND application.
3. If you already have a BOND account, simply log in and continue to the next step. If you do not have a BOND account press “Create account” and enter your name, email, and a password.
4. Select “+” to add a device.
5. Select Smart By Bond.
6. Select this smart ceiling fan
7. Once the BOND application connects to the fan, select CONTINUE to proceed.
8. Test the fan functions.
 - You have the option to disable the light function if your fan does not have a light.
9. Select YES, IT WORKS.
10. Specific information about your fan
 1. Select Location and choose from one of the predefined entries or add your own by selecting OTHER. When finished select Save.
 2. Select Device Name and enter the name for your device. When finished select OK to save.
 - Please note that this name will be used for integrations so a simple easy to remember name is best.
11. Select Continue.
12. Select the WiFi network you would like to connect the SBB to.
13. Enter the WiFi password and select OK.
14. If there is an issue with the connection, wrong password entered. You will receive an error message. Please select OK, I've Got it.
 1. Start the set up process again by choosing +.
 2. You will start at step 8 to confirm the application controls the fan.
15. Once the connection is made, please select DONE.
16. If the SBB fan is not displayed in the BOND application, please swipe down to refresh.

For assistance at any time during this process go to the help section of the app: tap on **Settings**, then on **Help Center**, and either **open a ticket** or select **Live Chat** in the app

Remote Control Set Up:

Your DC brushless motor is equipped with an automatically learned type remote control. The remote control included in the box comes **pre-paired** to your ceiling fan. You may use it immediately after installing the batteries.

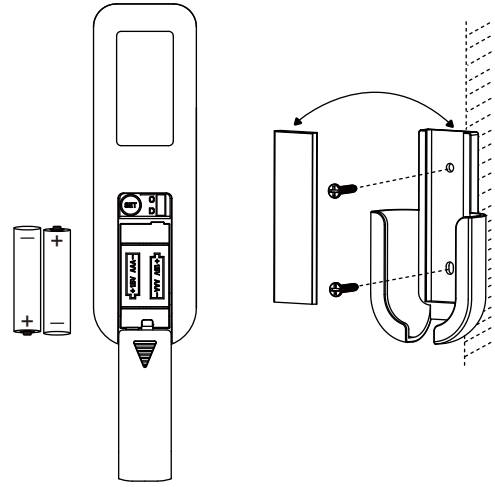
Remove the battery cover to insert batteries. Make sure the battery cover is secure before using the remote control

NOTE: This remote control uses 2 AAA batteries. Store the remote control away from excess heat or humidity. If not using for long periods of time, remove the batteries to prevent damage to the remote control.

WARNING: Chemical Burn Hazard. Keep batteries away from children.

Install the remote control wall mount cradle with the 2 screws provided. Move the small rectangular plate covering the holes in the wall mount cradle to install.

THIS DEVICE COMPLIES WITH PART 15 OF THE FCC RULES OF OPERATION AND IS SUBJECT TO THE FOLLOWING TWO CONDITIONS:
(1) THIS DEVICE MAY NOT CAUSE HARMFUL INTERFERENCES AND
(2) THIS DEVICE MUST ACCEPT ANY INTERFERENCE RECEIVED, INCLUDING INTERFERENCE THAT MAY CAUSE UNDESIRE OPERATION.



Pairing Process:

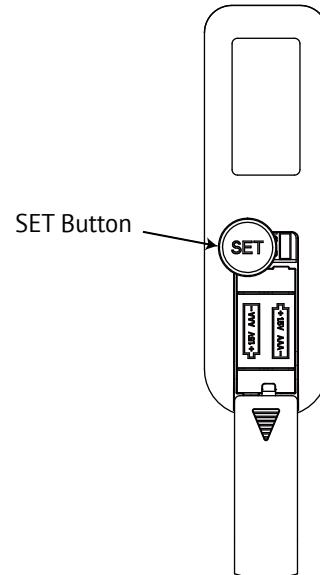
If you purchased an additional remote control or need to re-pair your current remote, you may follow the below steps to pair a remote control with your fan:

- 1) Turn off the power to the ceiling fan for at least 30 seconds.
- 2) Turn the power back on to the fan, wait for 5 seconds, then press and hold the "SET" button located above the batteries.
- 3) When the fan receives the "SET" signal, the fan will:
 - a. Spin for about 10 seconds
 - b. Light will blink, if applicable
- 4) Once paired, the fan will beep once.
- 5) Every fan can pair up to 2 remote controls.







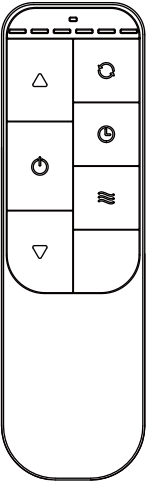
You have 1 minute to complete the pairing process after turning the power back on. If 1 minute passes and the remote has not been paired, please start again beginning with Step 1.

Alternatively, you can pair a remote to your ceiling fan using the Bond Home App.

NOTE: If you are installing/pairing more than one ceiling fan in an area, you must disconnect the power to all fans except the fan currently being paired. Additionally, it is not possible to separately operate ceiling fans installed in the same area of remote control signal reach if they share the same power supply.



Operation:

     	<p>Press this button to change the fan speed from low to high</p> <p>Press this button to stop the fan</p> <p>Press this button to change the fan speed from high to low</p> <p>Press this button to change fan direction, (forward/reverse) Note: This function only works when the fan is spinning. See Summer/Winter Mode instructions below.</p> <p>Press this button to set a timer to turn off the fan. (Press 1x = 1 hour, Press 2x = 2 hours, Press 3x = 3 hours, Press 4x = 4 hours, Press 5x = 6 hours, Press 6x = 8 hours)</p> <p>Press to turn on the natural breeze mode. <i>Note: With this function, your fan will alternate between various speeds to mimic the feel of a true natural breeze.</i></p>	 <p>LED Indicator</p> <p>Speed Up</p> <p>Fan Off</p> <p>Speed Down</p> <p>Forward/Reverse</p> <p>Timer</p> <p>Natural Breeze</p> <p>NOTE: Changes to speed and timer selections are reflected on the LED indicator at the top of your remote control.</p>
--	--	--

Note: Your ceiling fan will maintain the last setting if turned off by a wall switch. If your fan automatically operates after installation and turning on the power, it is because your fan has still memorized the previous setting at the factory.

Note: Your ceiling fan is equipped with an energy saving DC motor. When your ceiling fan is turned on or you are operating the forward/reverse function, it will take a moment for the magnets in your DC motor to align before performing the function. This will appear as a slight shutter back and forth and is completely normal.

Lock Protection: The DC motor has a built-in safety feature against blade or motor obstruction during operation. If something obstructs the fan blades or motor, the motor will try 5 times to continue normal operation and then stop operation after about 30 seconds of interruption. Please remove obstacles and reset by turning the fan off, waiting 5 seconds, and turning it back on.

Over Load Protection: Your ceiling fan will immediately stop if the receiver detects an abnormal increase in motor power consumption.

Summer / Winter Modes:



Use the forward/reverse button to change the fan direction. *This function only works when the fan is spinning.*

SUMMER MODE / FORWARD:

This creates a **downward** airflow, which has a cooling effect on those in the room. You can set your air conditioner at a warmer temperature without affecting your comfort.

WINTER MODE / REVERSE:

The fan will spin in a clockwise direction. This creates an **upward** airflow, and the gentle updraft produced will force warm air near the ceiling down into your space. You can comfortably adjust your heating unit to a cooler setting and benefit from energy and cost savings.

Note: Turn your ceiling fan off if the room is unoccupied to conserve energy and save money.

Care and Maintenance:

To clean/dust the fan blades, use a dry or slightly damp lint-free dust cloth or duster to avoid scratching or damage to the blade finish. **Do not use any chemical cleaning products.**

Due to the fan's natural movement, it may be periodically necessary to re-tighten the blade screws or support connections to prevent wobble or sounds during operation. This is especially true in climates with broad temperature and humidity ranges.

Energy Guide Information:

ENERGYGUIDE

**Estimated
Yearly Energy Cost**

\$6

\$3 | | | \$34

Cost Range of Similar Models (19" – 84")

- Based on 12 cents per kWh and 6.4 hours use per day
- **Your cost depends on rates and use**
- Energy Use: 22 Watts

Airflow

4,403

Cubic Feet Per Minute

- The higher the airflow, the more air the fan will move
- Airflow Efficiency: 200 Cubic Feet Per Minute Per Watt

All estimates based on typical use, excluding lights ftc.gov/energy

Fan Speed	Airflow(CFM)	Power(W)	Efficiency(CFM/W)
Low	2,039	3.59	567.97
High	6,489	30.80	210.68

Troubleshooting:

CAUTION: Before performing any of these checks, switch the power off at the main fuse box or circuit breaker when instructed.

PROBLEM:

SOLUTIONS:

- | | |
|-------------------------------|---|
| 1) Fan will not start | <ol style="list-style-type: none">1) Check to make sure the wall switch is turned on.2) Check the main and branch circuit fuses and breakers.3) Turn the power off. Check that all wire connections are correct and secure in the canopy.4) Check the batteries in your remote control.5) Check to make sure your remote control is in range of the fan (30 feet/9.1m).6) Confirm your remote control is paired to your ceiling fan. Follow the Pairing Process steps. |
| 2) Fan wobbles | <ol style="list-style-type: none">1) Check that all blades are aligned properly and firmly secured to the motor assembly.2) Make sure that the hanger bracket is tightened securely to the outlet box and that the outlet box is mounted firmly to the ceiling joist.3) Check that the hanger ball screw and coupler screws are all snug, and make sure the slot on the hanger ball sits correctly and aligns with the tab on the hanger bracket.4) Use the balance kit to balance the blades.5) Remove two blades, switch their positions, and reinstall them. After switching, you may need to use the balance kit again to re-balance the blades.
<i>NOTE: The blade sets are weight matched when packaged together. Do not mix blades between sets.</i> |
| 3) Fan is noisy | <p>NOTE: Allow a day or two "break-in" period for any new fan. When looking for the source of any noise, listen carefully from all sides and try to isolate the exact location.</p> <ol style="list-style-type: none">1) Check to make sure all screws are snug, but not overtightened.2) Make sure that the hanger bracket is tightened securely to the outlet box and that the outlet box is mounted firmly to the ceiling joist.3) Examine all other hardware and fittings (canopy, light shade, light kit, etc.) and make sure everything is installed correctly and securely.4) Turn the power off. Check to make sure all wire nut connectors in the canopy are not rattling against each other or against the interior wall of the canopy. |
| 4) Fan is not moving much air | <ol style="list-style-type: none">1) Check that the fan is running in the summer mode / forward direction.2) The fan may be too close to the ceiling. Consider installing a longer downrod (not included) for optimal air flow. The ideal placement for your ceiling fan is 8 to 9 feet from the floor.3) Check there are no obstructions near the fan and blades are at least 18 inches from the walls.4) The fan may be too small for the size of the room. |

*For troubleshooting assistance, please contact your authorized Linari dealer or reach out to us at support@linarifans.com
For any questions or assistance with the smart features on your ceiling fan, please submit a help ticket or select Live Chat on your Bond Home app.*

Limited Lifetime Warranty:

At Linari, we stand behind the quality and craftsmanship of our ceiling fans. We are committed to ensuring that every fan meets the highest standards, which is why all Linari ceiling fans are backed by our limited lifetime warranty.

Product Registration:

Please register your Linari ceiling fan immediately after purchase on our website. Registration is an essential first step that enables us to serve you better and faster, especially if you ever need to make a warranty claim. It allows us to verify your ownership and purchase details quickly. PLEASE KEEP YOUR RECEIPT OR OTHER PROOF OF PURCHASE.

What is the Warranty Period?

Energy Star® certified ceiling fans are warranted against failure for a period of 3 years from installation.

The following items are warranted for the specified periods:

- **Motor:** Lifetime
- **Integrated LED Components:** 5 years
- **LED Bulbs:** 3 years
- **Remote Control / Receiver:** 3 years

What is COVERED:

This warranty covers any defects in materials and workmanship, under normal use and maintenance, that adversely affect the ability of the fan to operate properly when the product is installed and operated correctly according to Linari's written installation instructions.

Who does this warranty apply to:

This limited lifetime warranty is extended to the original purchaser of the ceiling fan, who can produce proof of purchase from an authorized Linari dealership. This warranty is not transferable.

What is NOT COVERED (Exclusions):

- 1) Labor costs for installation, removal, or reinstallation.
- 2) Damage that occurs during shipping.
- 3) Damage that occurs due to improper installation, operation, maintenance or storage.
- 4) Products subjected to modification, misuse, abuse, negligence, or accident.
- 5) Defects resulting from exposure to extremes of temperature, humidity, wind, sunlight, or other environmental conditions.

Coastal environments: The environment within ten miles of a seacoast can be extremely corrosive. Even with appropriate maintenance and care, some corrosion and/or deterioration is considered "normal wear" in this environment. Products installed in coastal areas will typically deteriorate more than products installed in less severe environments. Claims for finish failures due to coastal environmental conditions are not covered by this warranty.

Additionally, Linari ceiling fans use natural materials and living finishes. Small variations between products in color, and in the case of our natural wood blades, in texture and grain pattern, are to be expected. It is also normal for these finishes to change or evolve over time as they respond to environmental conditions. Claims related to these variations and changes over time are not covered by this warranty.

What will LINARI do?

Linari will, at its sole discretion, repair, replace, or provide an appropriate resolution for any product or components proven to be defective during the warranty period. Linari will ship the repaired or replacement product to you at no charge. However, you are responsible for all costs related to the removal, reinstallation, and shipping of the product to Linari for inspection.

Before Submitting a Warranty Claim:

Before submitting a warranty claim, please reach out to your authorized Linari dealer. We are dedicated to helping you resolve any issues and will guide you through troubleshooting steps that often quickly solve common problems. This support can save you both time and effort.

Initiating a Warranty Claim:

To initiate a warranty claim, you must provide proof of purchase and submit a detailed description of the issue. If troubleshooting does not resolve the issue, Linari will proceed with the warranty claim process. Please keep your receipt or other proof of purchase. You may also be asked to return the defective product to Linari for examination to proceed with the warranty service.

To the maximum extent permitted by applicable law, this limited lifetime warranty replaces all other express warranties. Any implied warranty of merchantability or fitness is limited to the duration of this written warranty. In no event shall Linari LLC be liable for consequential or incidental damages. Some states do not allow the exclusion or limitation of consequential or incidental damages, so the above exclusions or limitations may not apply to you.

The benefits provided under this warranty are in addition to, and do not affect, any other rights or remedies you may have under applicable law relating to this product.

LINARI

1930 Innovation Way, Suite 160
Libertyville, IL 60048
+1 224 633 1422
hello@linarifans.com