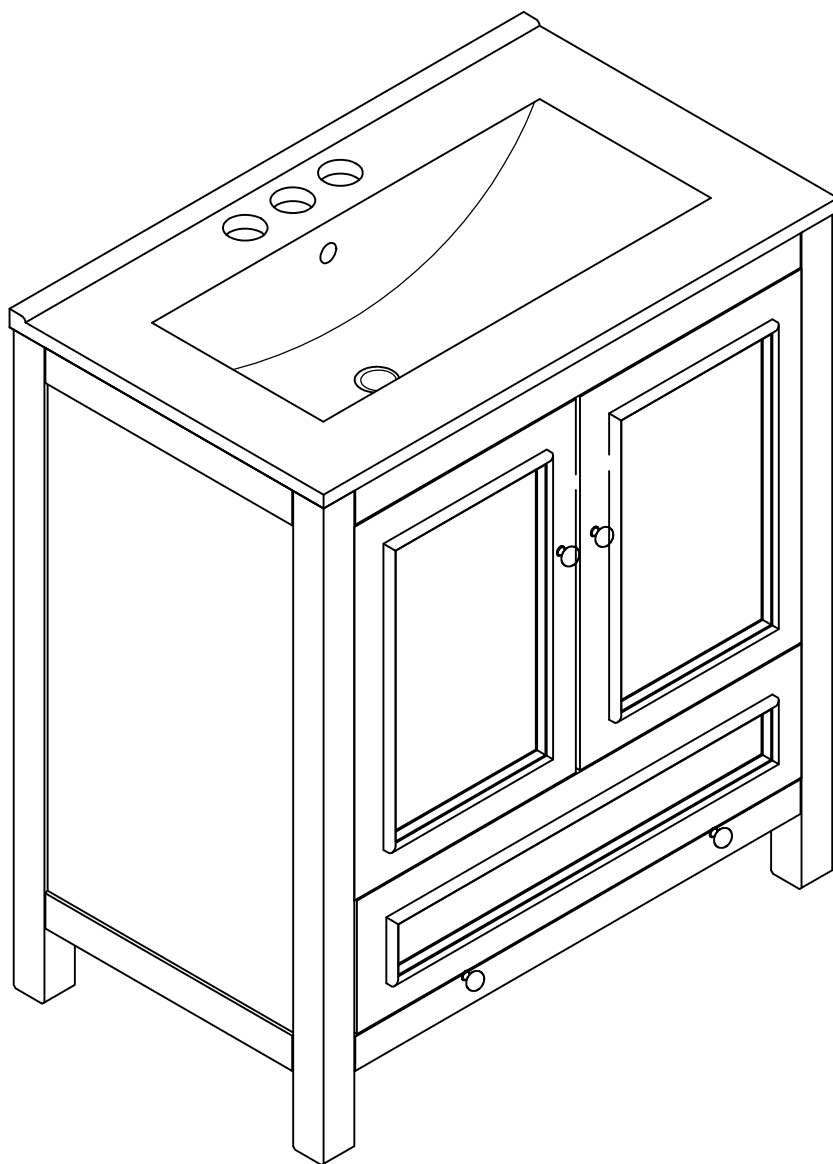


Assembly Instructions



Bathroom vanity

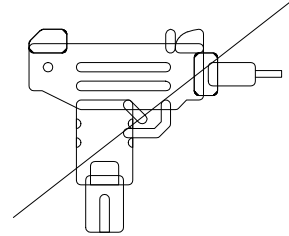
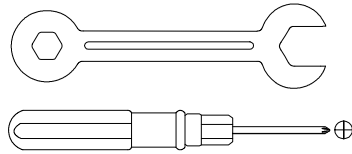
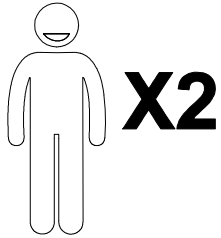
Contact Us

We're here to help you.

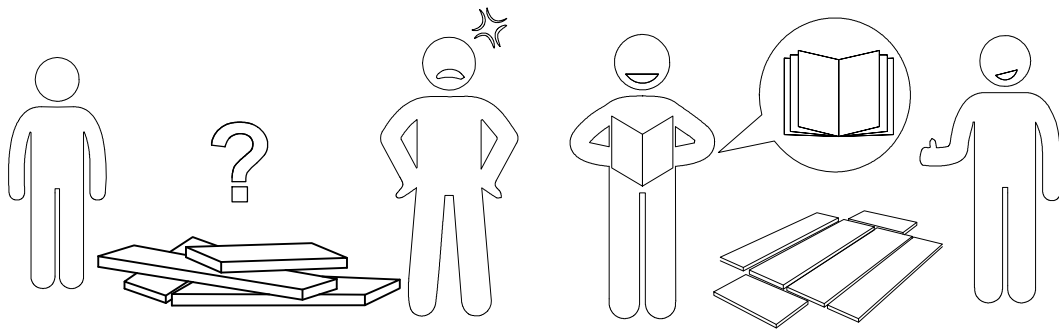
Your satisfaction is our top priority. If you encounter any issues with this product, such as missing or damaged parts, we're here to help. Please retain the original packaging and take photos of the packaging and the product, then contact us as soon as possible.

Warm Tips

1. Carefully read these instructions and keep them for future reference.
2. Check the parts list and confirm everything's there before starting assembly.
3. When assembling, put all parts on a soft, smooth surface like a carpet to avoid scratches.
4. Don't fully tighten screws until all parts are confirmed in place to avoid misalignment.

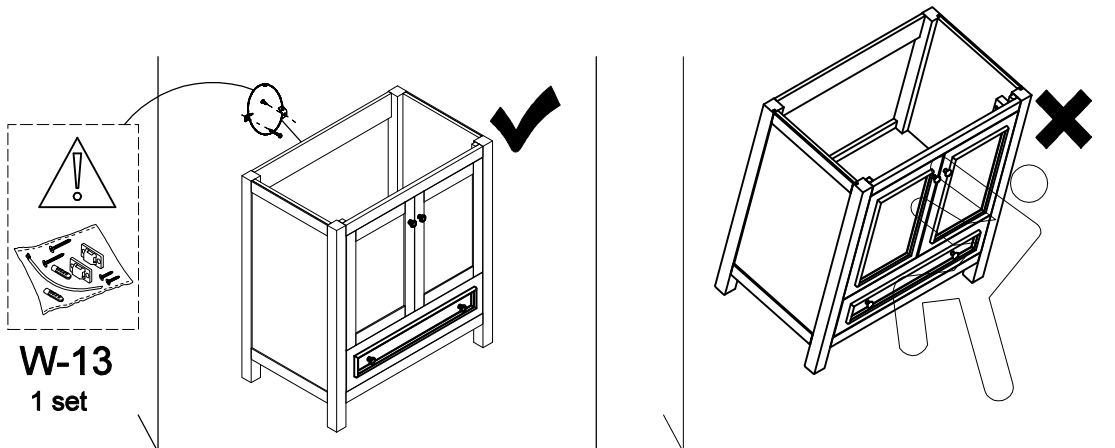


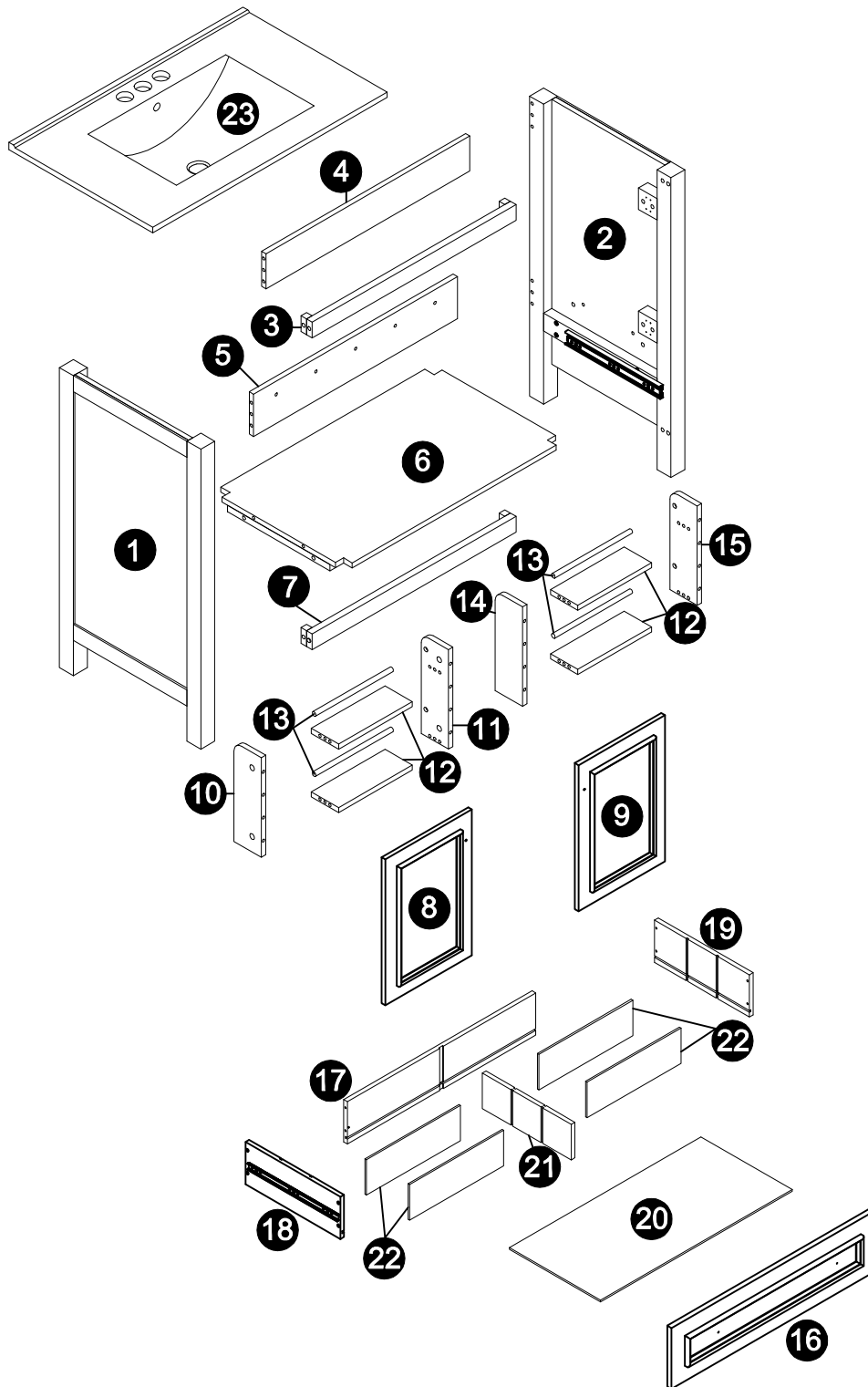
We recommend using hand tools for assembly.
If an electric screwdriver is used, reduce power and torque to avoid damage to the product.



Install the Anti-Tip Straps

Using the anti-tip straps can reduce the risk of tipping over, but can not eliminate it.

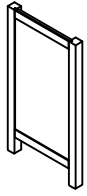
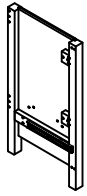



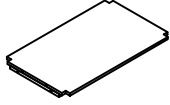

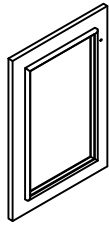
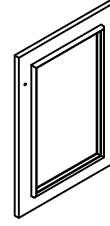

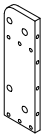
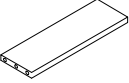



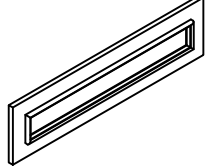
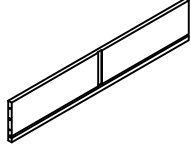
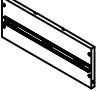
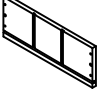
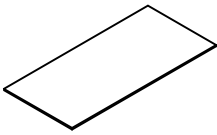
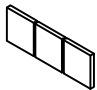
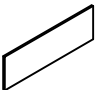







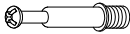

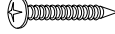
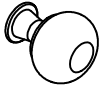
⚠ Caution

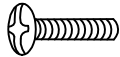
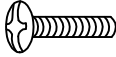

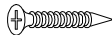


Make sure all parts are included. Most board parts are labeled or stamped on the raw edge. Contact us for a free replacement if you encounter any damaged or missing parts.



Parts List

<p>1</p>  <p>1 pc</p>	<p>2</p>  <p>1 pc</p>	<p>3</p>  <p>1 pc</p>	<p>4</p>  <p>1 pc</p>	<p>5</p>  <p>1 pc</p>
<p>6</p>  <p>1 pc</p>	<p>7</p>  <p>1 pc</p>	<p>8</p>  <p>1 pc</p>	<p>9</p>  <p>1 pc</p>	<p>10</p>  <p>1 pc</p>
<p>11</p>  <p>1 pc</p>	<p>12</p>  <p>4 pcs</p>	<p>13</p>  <p>4 pcs</p>	<p>14</p>  <p>1 pc</p>	<p>15</p>  <p>1 pc</p>
<p>16</p>  <p>1 pc</p>	<p>17</p>  <p>1 pc</p>	<p>18</p>  <p>1 pc</p>	<p>19</p>  <p>1 pc</p>	<p>20</p>  <p>1 pc</p>
<p>21</p>  <p>1 pc</p>	<p>22</p>  <p>4 pcs</p>	<p>23</p>  <p>1 pc</p>		

Hardware List

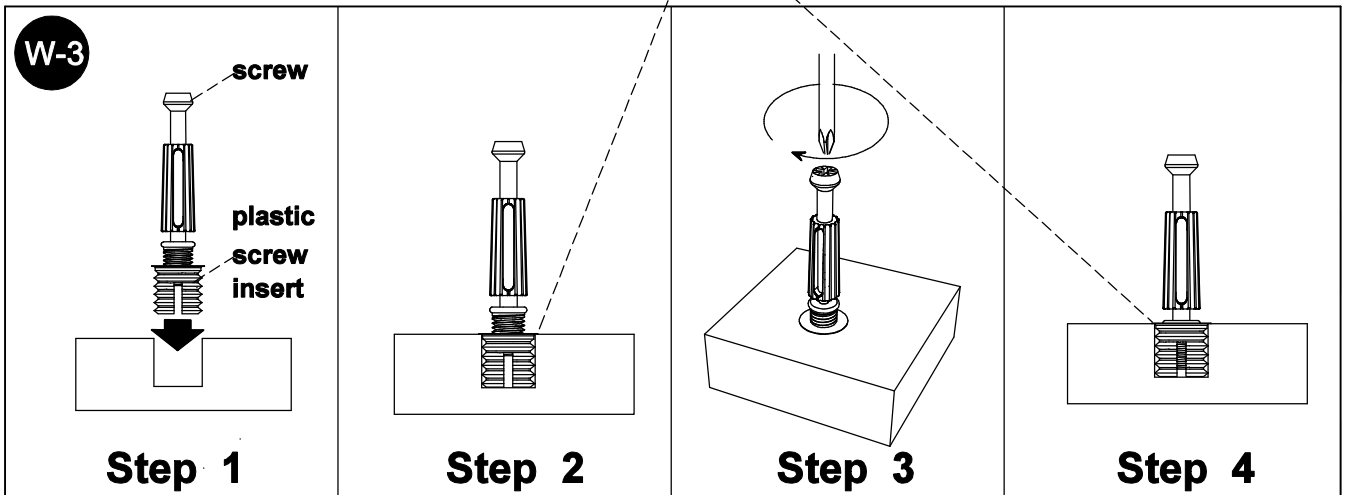
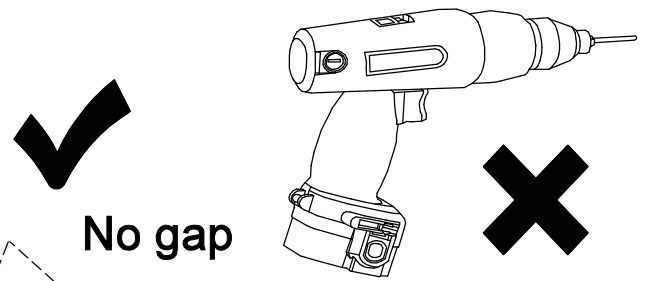
W-1	W-2	W-3	W-4	W-5	W-6
					
Ø1/4x28mm	Ø1/4**16*1mm	Ø6x35mm	Ø14.5x12mm	Ø8xØ4x32mm	Ø25x25mm
8 pcs	8 pcs	35 pcs	35 pcs	8 pcs	4 pcs

W-7	W-8	W-9	W-10	W-11	W-12
					
Ø5/32"x20mm	Ø5/32"x32mm		Ø7xØ3.5x15mm	Ø8x30mm	4 mm
2 pcs	2 pcs	4 pcs	24 pcs	30 pcs	1 pc

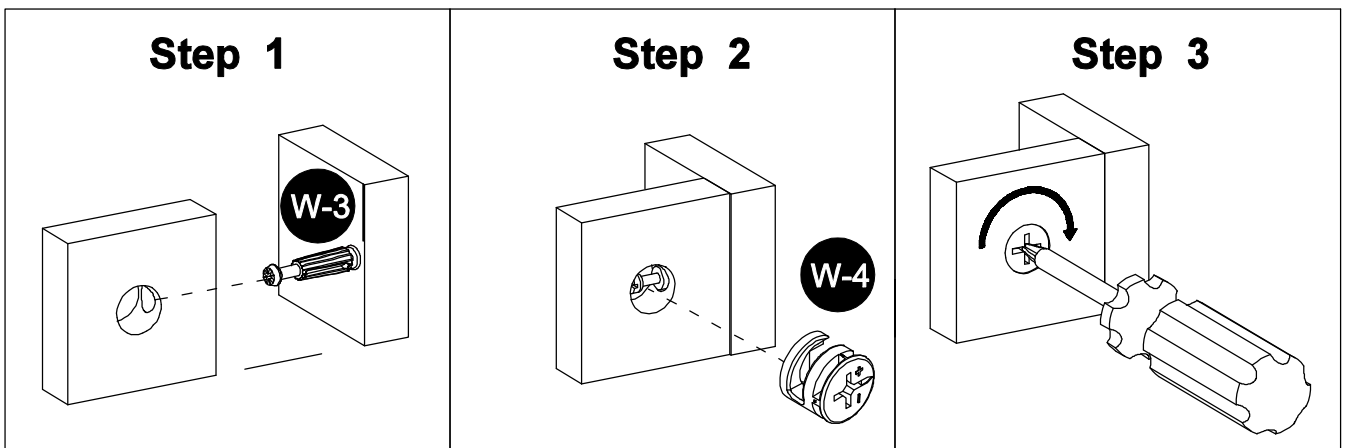
W-13	W-14
	
	Ø6x30mm
1 set	4 pcs

Installation of Cams and Pins

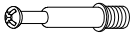
Step 1-2: Align the plastic part with the mounting hole and press it in. If you can't press it in, loosen the screw counter clockwise or completely remove the screw from the plastic part and try again.
Step 3-4: After pressing the plastic part into place, use a screwdriver to tighten the screw clockwise.

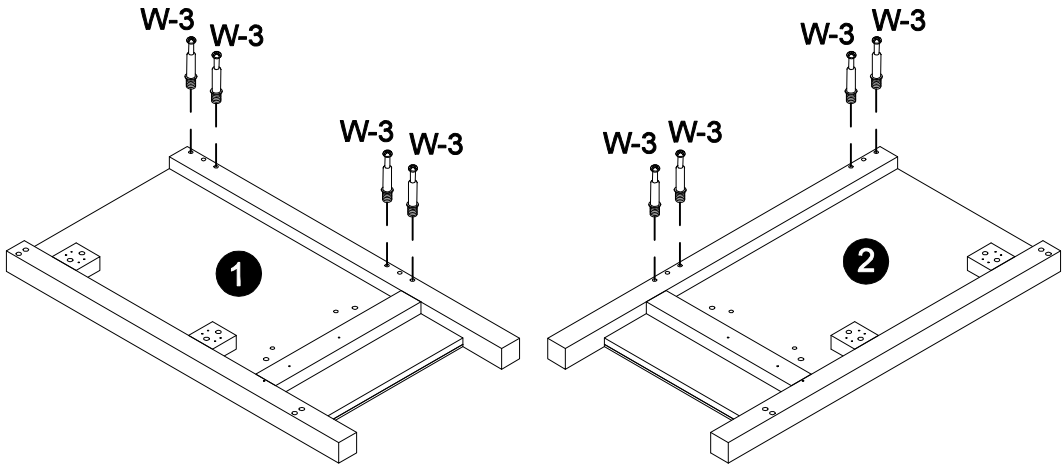


Screw the pin into the hole. Set the cams correctly by aligning the head of the cams with the lock pins. Lock the cam by turning the cam head with a screwdriver until it is tightened. Please do not use an electric screwdriver to assemble the unit.

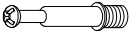

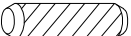


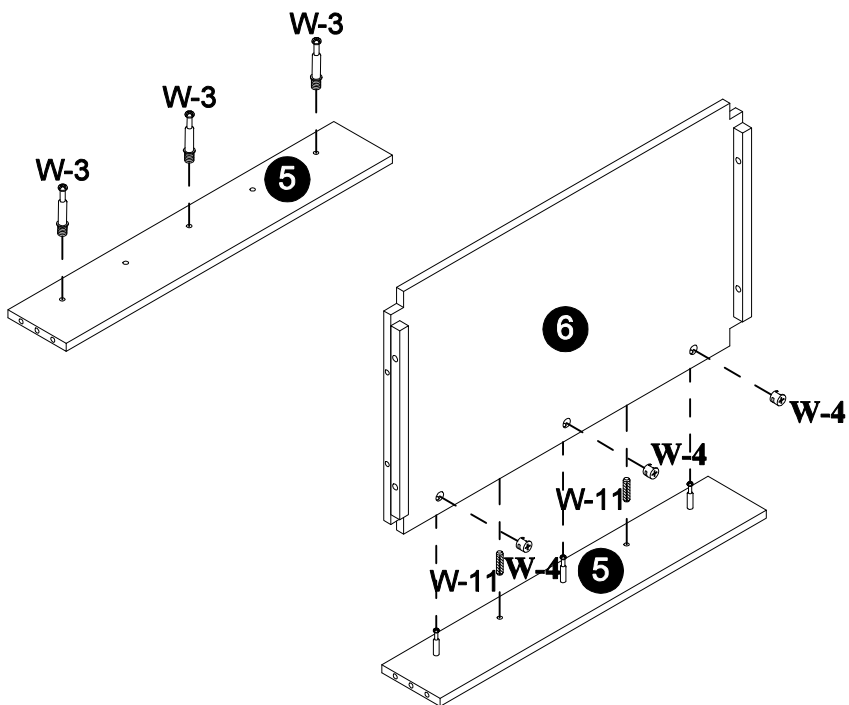
1

W-3

Ø6x35mm
8PCS

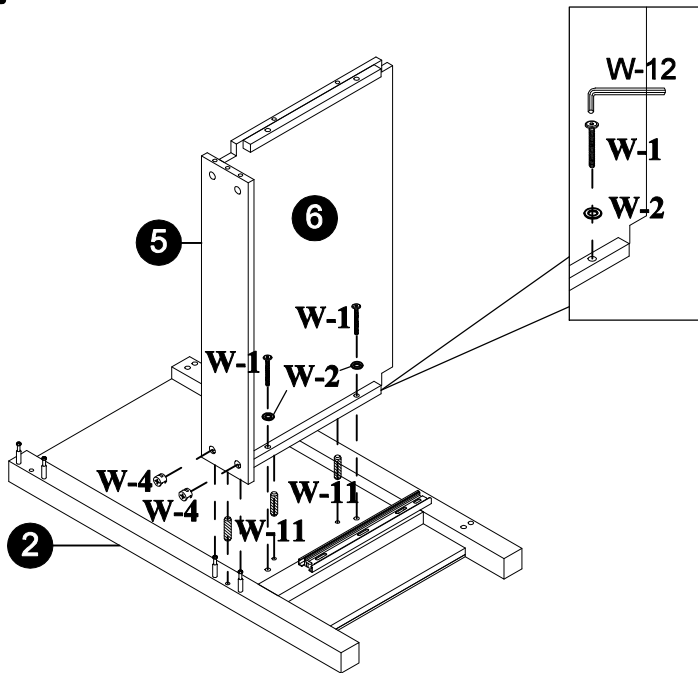







2

W-3	W-4	W-11
		
Ø6x35mm	Ø14.5x12mm	Ø8x30mm
3PCS	3PCS	2PCS

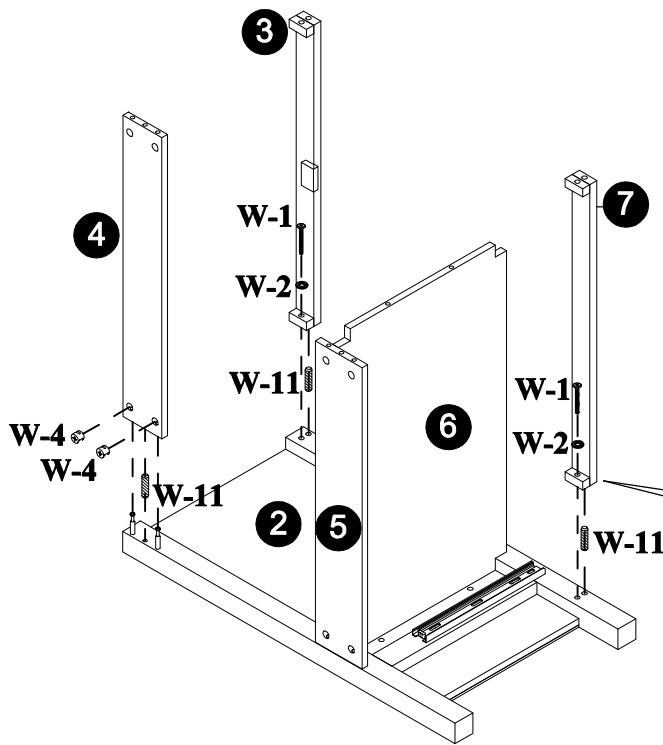





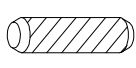

3








W-1	W-2
 Ø1/4x28mm	 Ø1/4"×16*1mm
2PCS	2PCS
W-4	W-11
 Ø14.5x12mm	 Ø8x30mm
2PCS	3PCS
W-12	
	
4mm	
1PC	

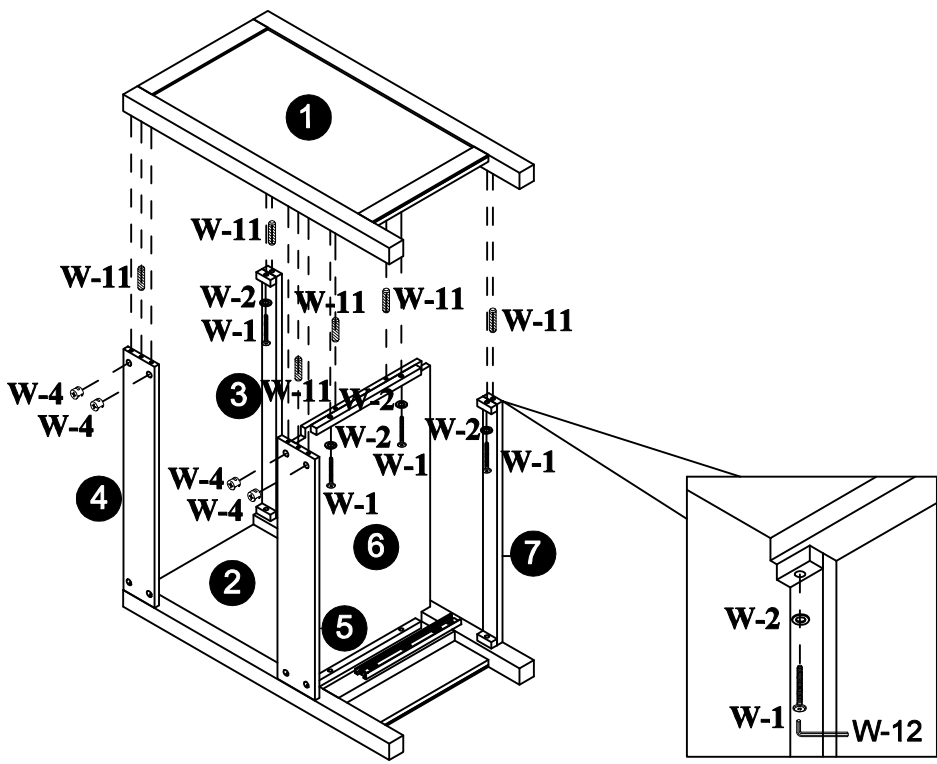
4



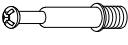




W-1	W-2
 Ø1/4x28mm	 Ø1/4"×16*1mm
2PCS	2PCS
W-4	W-11
 Ø14.5x12mm	 Ø8x30mm
2PCS	3PCS
W-12	
	
4mm	
1PC	

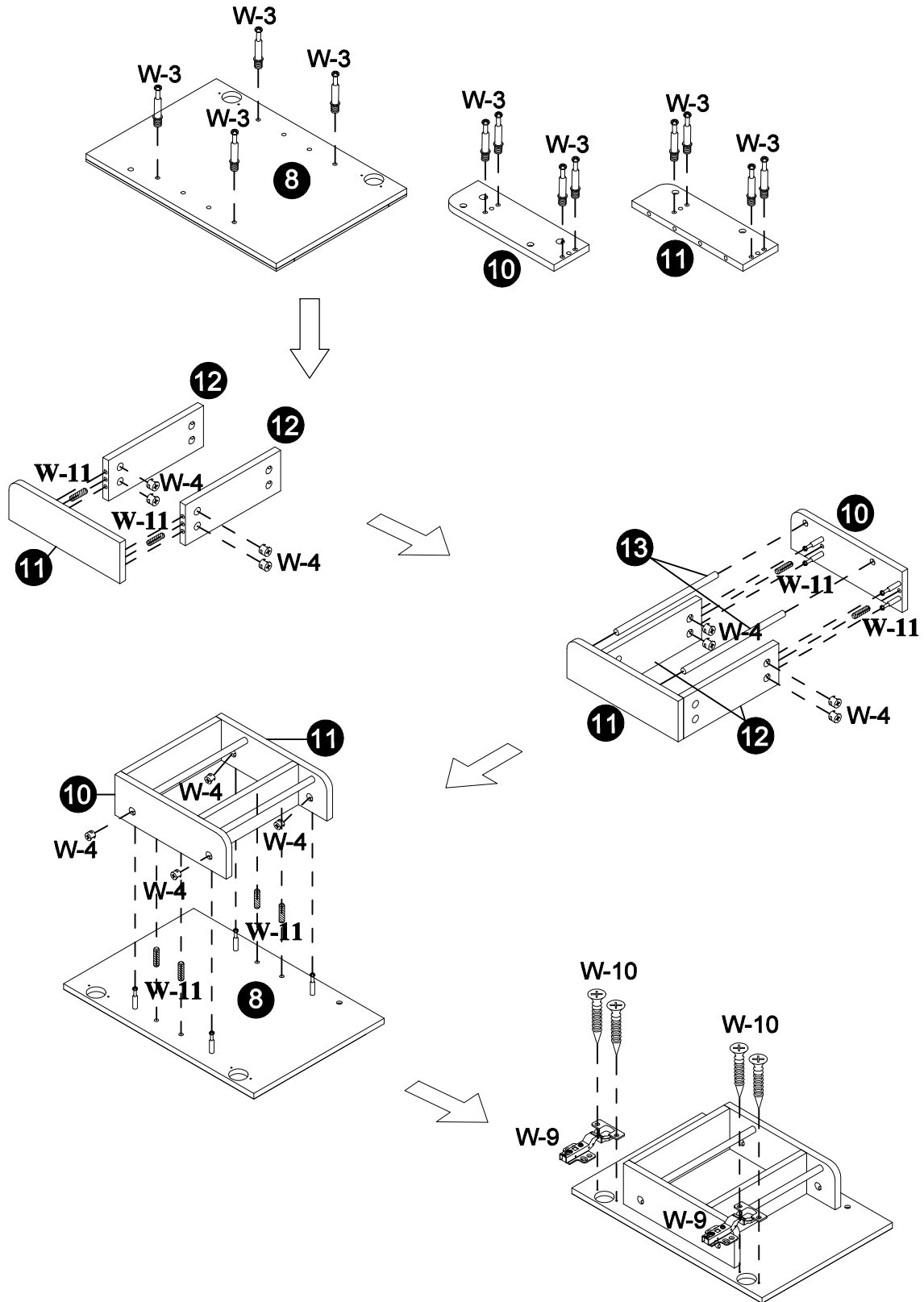
5

W-1	W-2	W-4	W-11	W-12
				
Ø1/4x28mm	Ø1/4*16*1mm	Ø14.5x12mm	Ø8x30mm	4mm
4PCS	4PCS	4PCS	6PCS	1PC

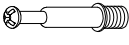


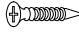



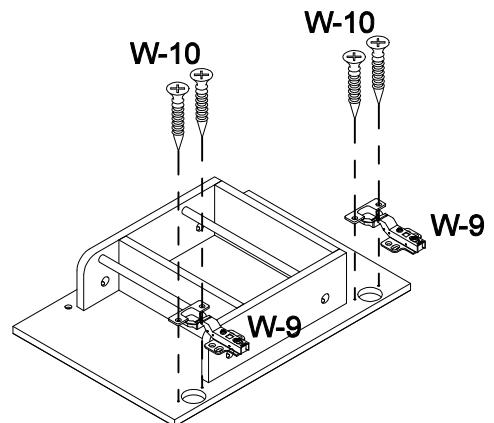
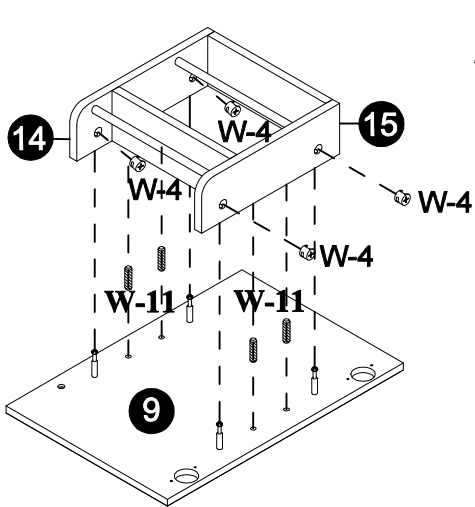
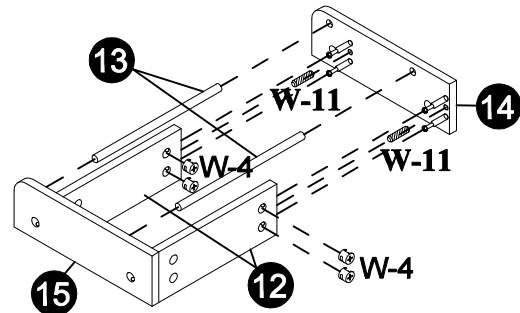
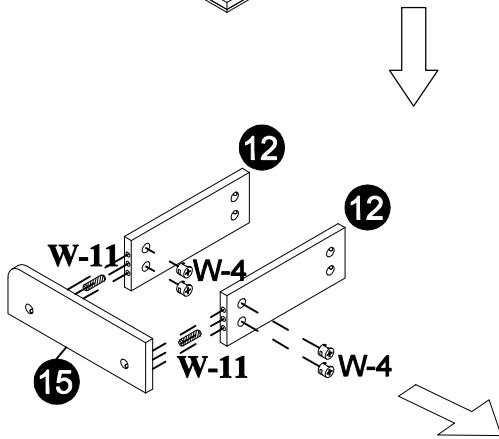
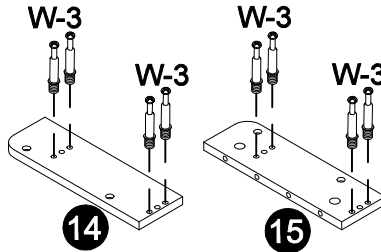
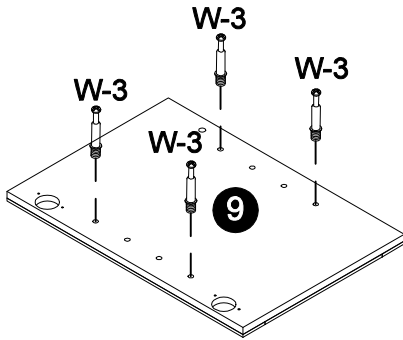
6

W-3	W-4	W-9	W-10	W-11
				
Ø6x35mm	Ø14.5x12mm		Ø7xØ3.5x15mm	Ø8x30mm
12PCS	12PCS	2PCS	4PCS	8PCS



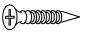


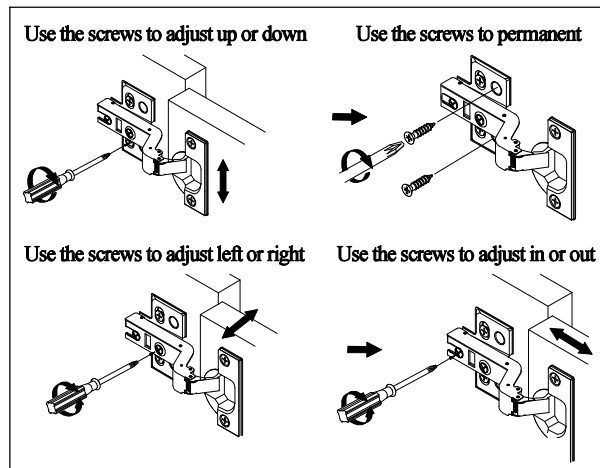
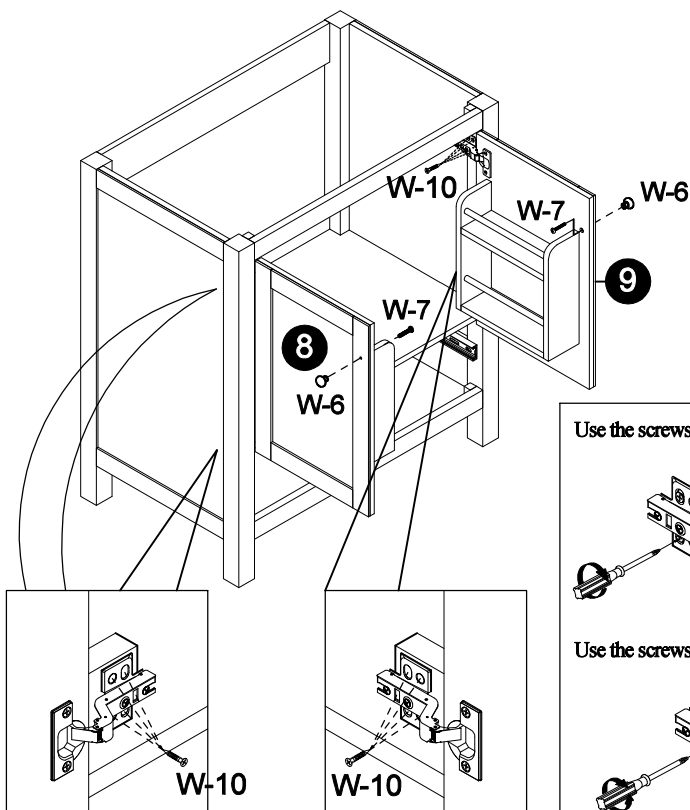
7

W-3	W-4	W-9	W-10	W-11
				
Ø6x35mm	Ø14.5x12mm		Ø7xØ3.5x15mm	Ø8x30mm
12PCS	12PCS	2PCS	4PCS	8PCS

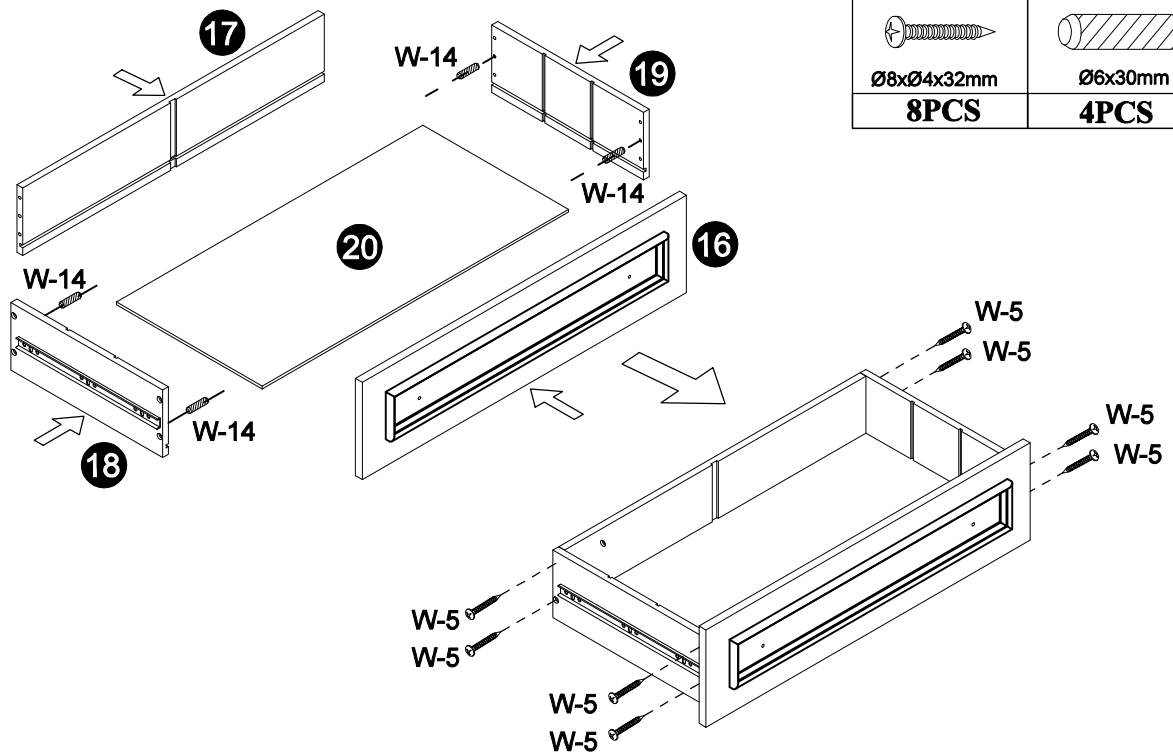




8

W-6	W-7	W-10
		
Ø25x25mm	Ø5/32"x20mm	Ø7xØ3.5x15mm
2PCS	2PCS	16PCS

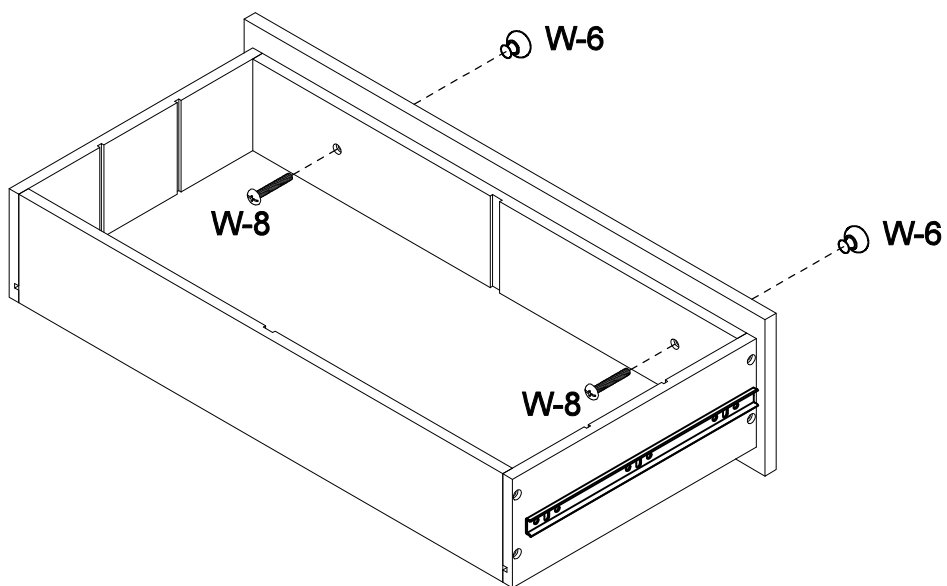




9



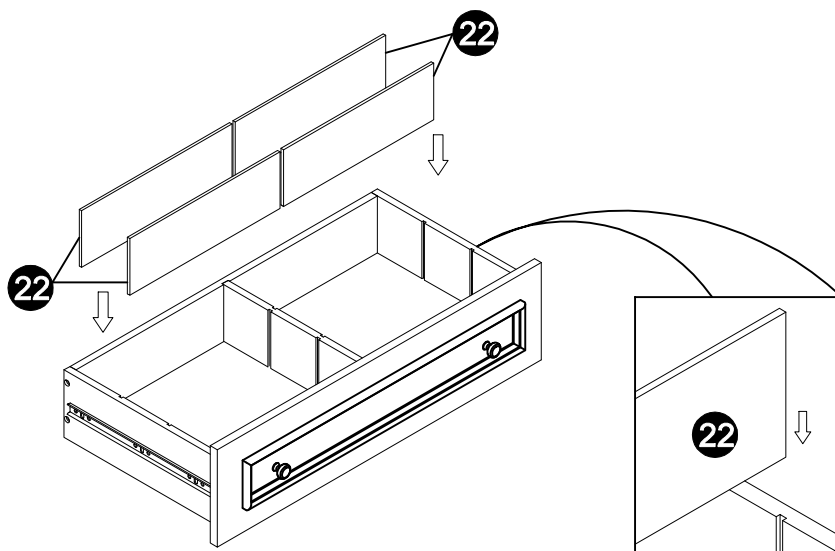
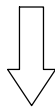
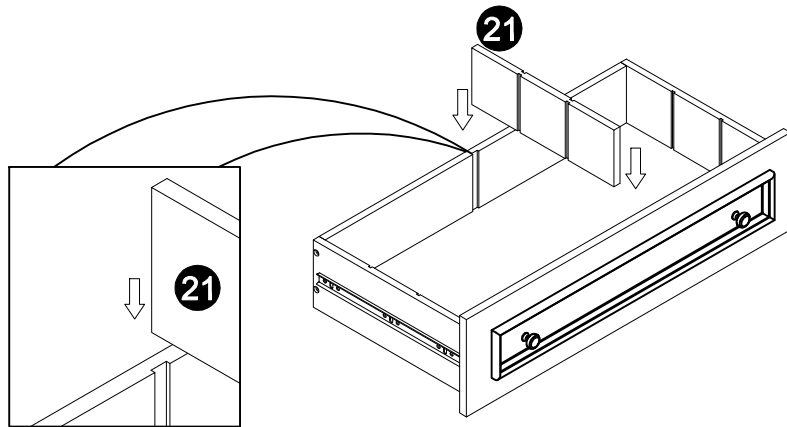
W-5	W-14
	
Ø8xØ4x32mm	Ø6x30mm
8PCS	4PCS

10

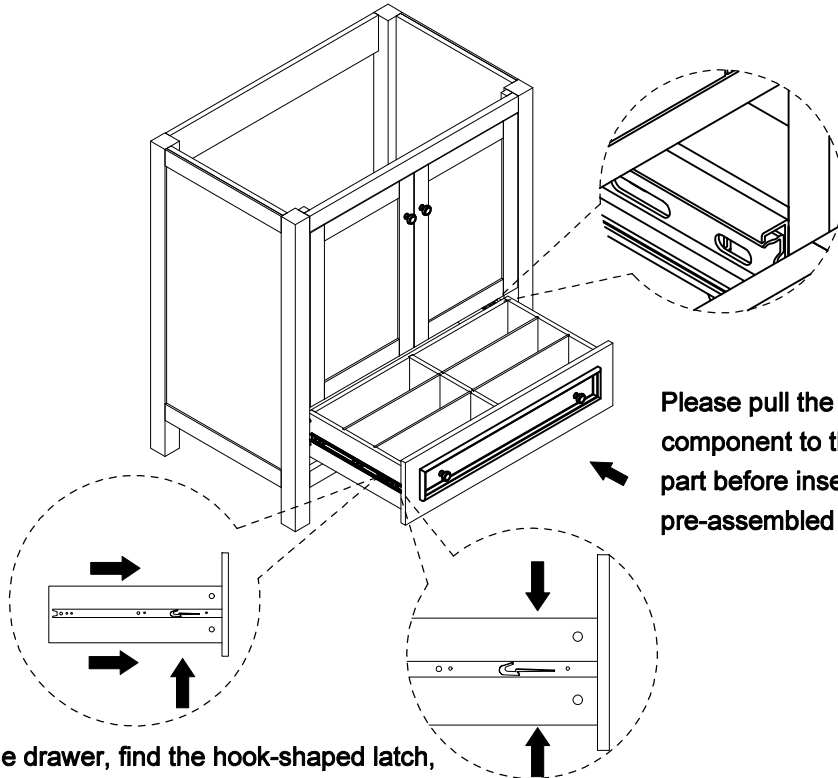


W-6	W-8
	
Ø25x25mm	Ø5/32"32mm
2PCS	2PCS

11



12



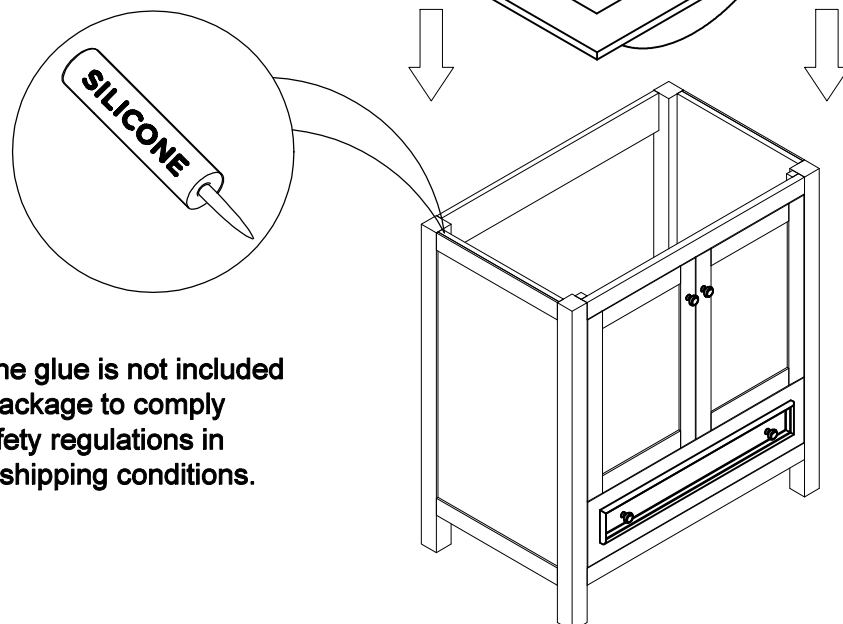
Please pull the movable silver component to the outermost part before inserting the pre-assembled drawer.

To pull out the drawer, find the hook-shaped latch, press down (on both sides of the drawer) and pull the drawer out.

If the drawer doesn't fit perfectly, loosen the slide screws, adjust the slide's position slightly, then tighten it again.

13

Install the sink on the cabinet with glue.
Let stand for 24 hours



*Silicone glue is not included in the package to comply with safety regulations in certain shipping conditions.

Thank you for your support!

