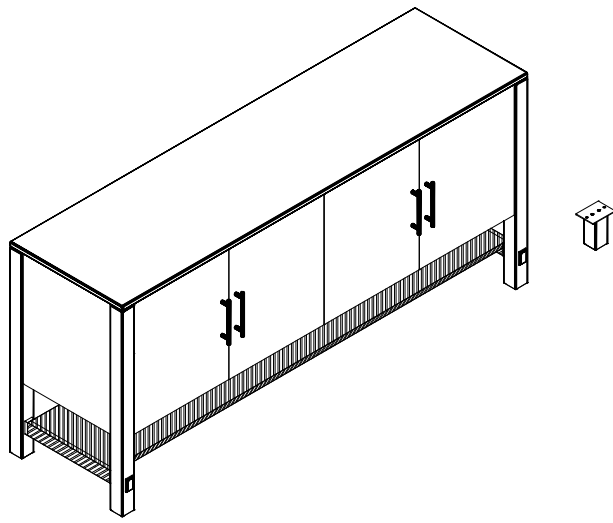
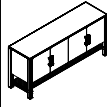





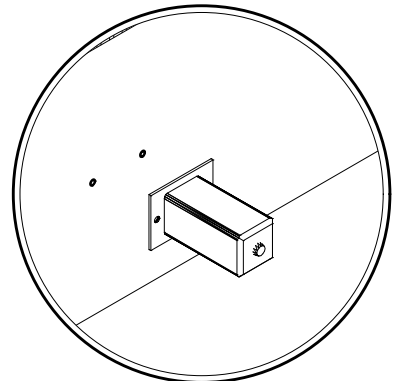
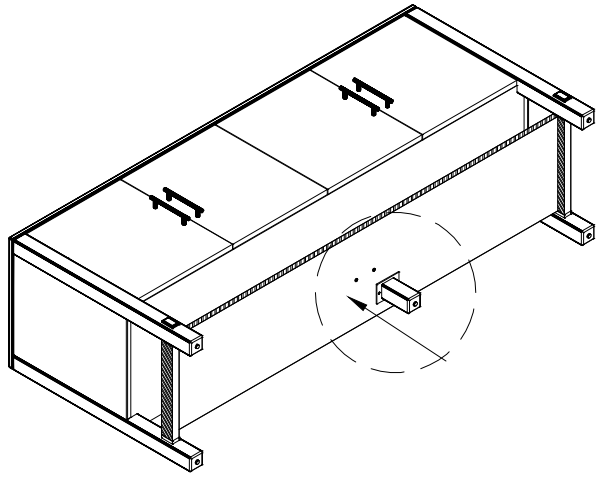
Assembly Instruction For Blake Side Board

1

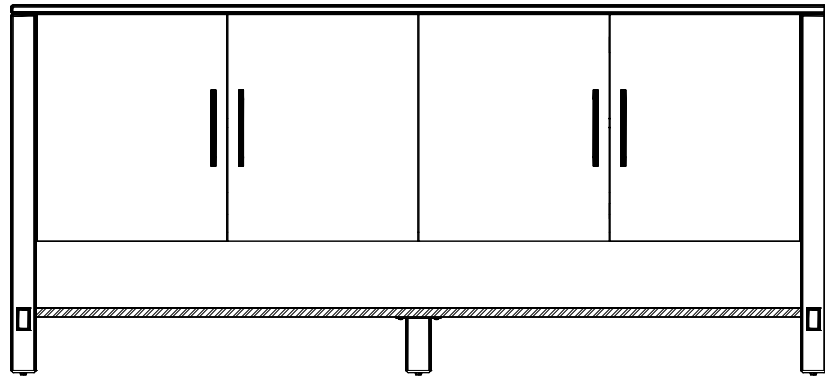
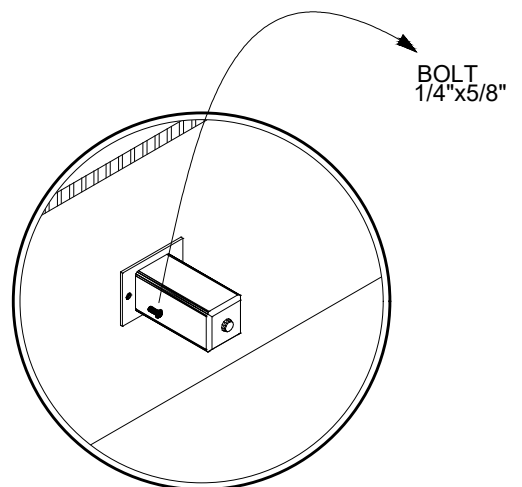
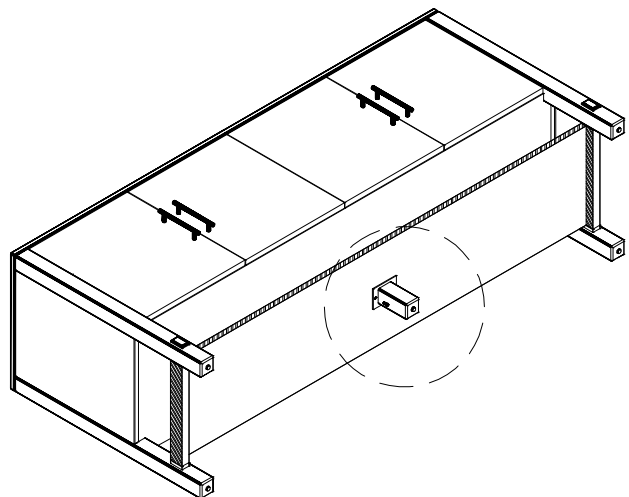


Hardware List				
A		Case		1
B		Leg		1
C		Bolt	1/4"x5/8"	2
D		Allen Wrench	5/32"	1

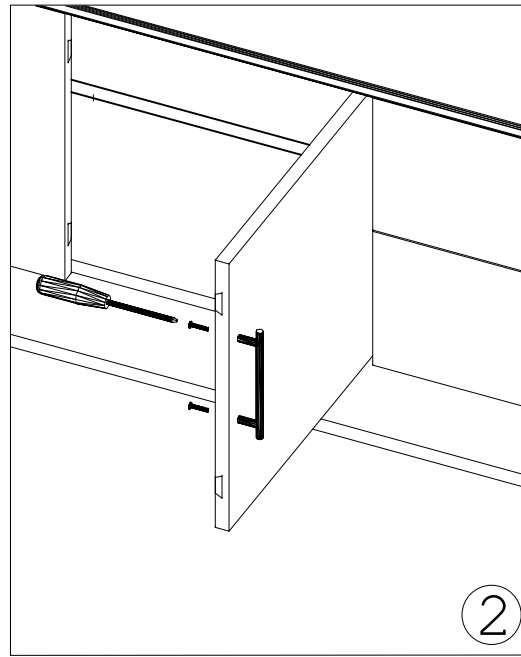
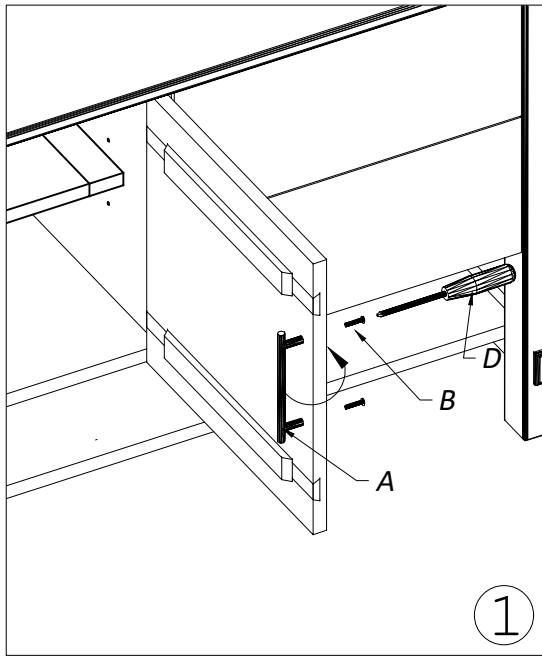
2



3



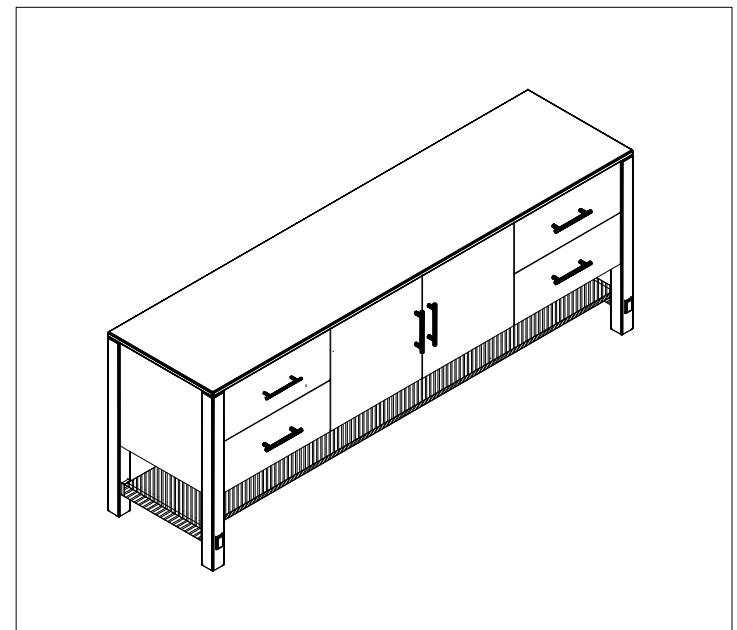
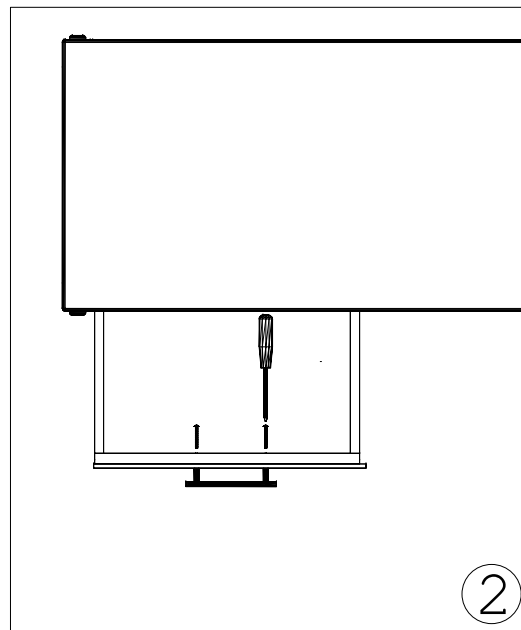
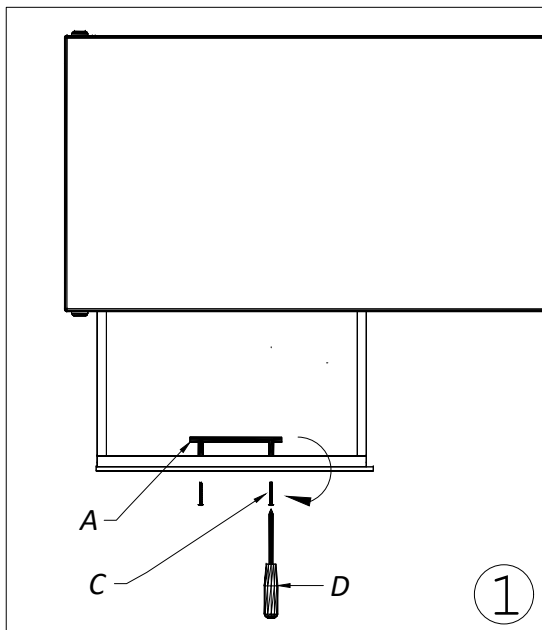
BLAKE DOOR PULL ASSEMBLY INSTRUCTIONS



PARTS LIST	
A	IRON PULL
B	SCREW 3/16"x1"
C	SCREW 3/16"x1.5"
TOOL REQUIRED	
D	PHILLIPS SCREW DRIVER NOT INCLUDED

NOTE:
IRON PULL IS
PRE ASSEMBLED

BLAKE DRAWER PULL ASSEMBLY INSTRUCTIONS

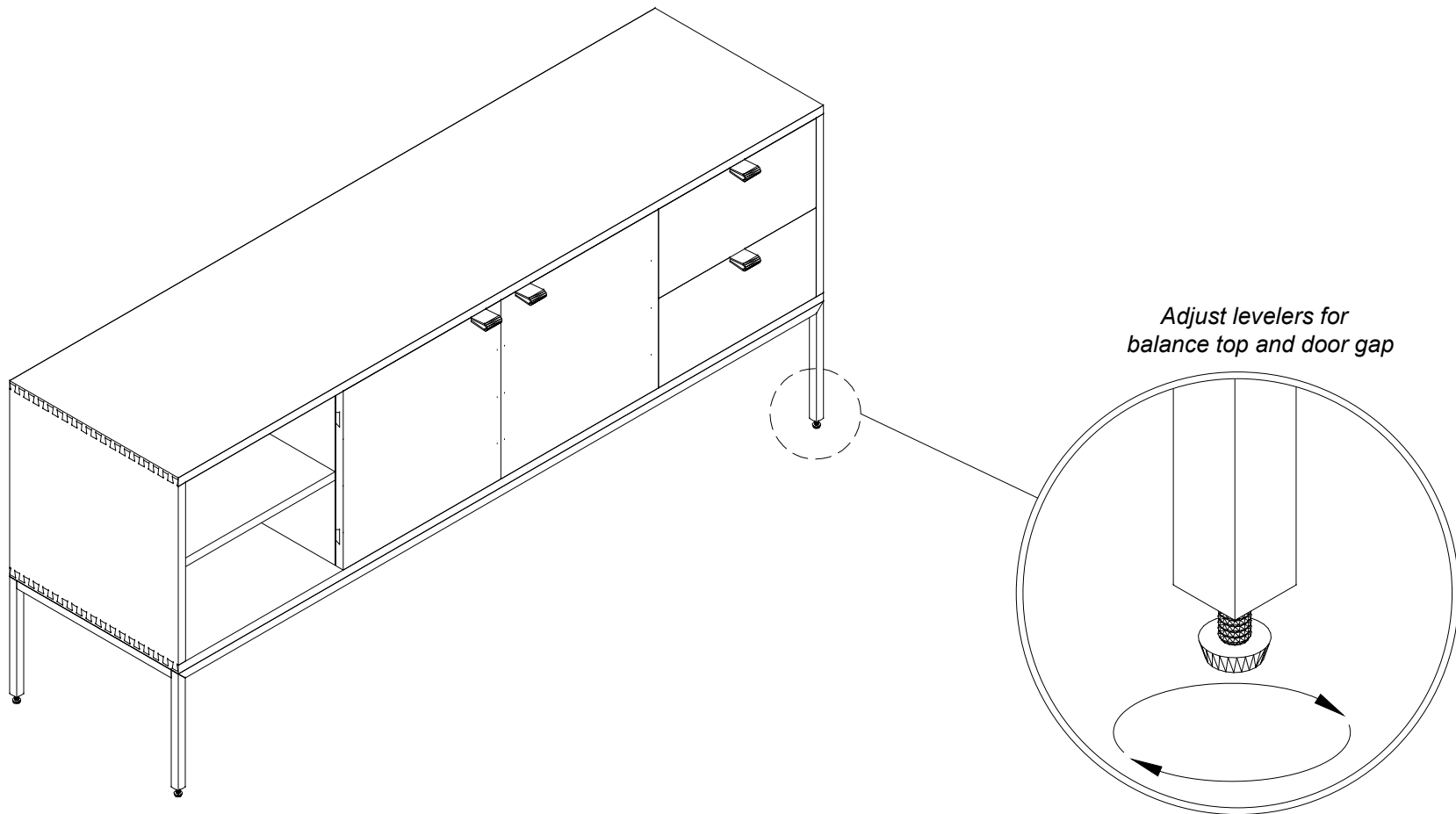


Adjusting Floor Levelers

Your furniture has been expertly crafted and pre-adjusted by professionals. However, slight shifts can occur during transportation. If you notice that the doors are not perfectly aligned or the furniture wobbles, a quick adjustment can help ensure stability and a seamless look.

Step 1: Adjust the Floor Levelers

- **Check for Stability**- Place the furniture in its final position on a level surface. If it wobbles or doesn't sit evenly, the floor levelers need adjusting.
- **Locate the Levelers**- These are small adjustable feet found at the bottom corners of your furniture.
- **Adjust as Needed**- Using your hand or a wrench, turn the levelers clockwise to raise or counterclockwise to lower the furniture. Make small adjustments and check stability after each turn.



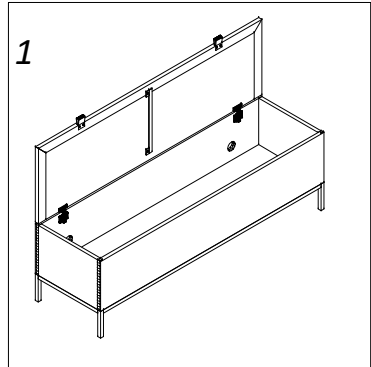
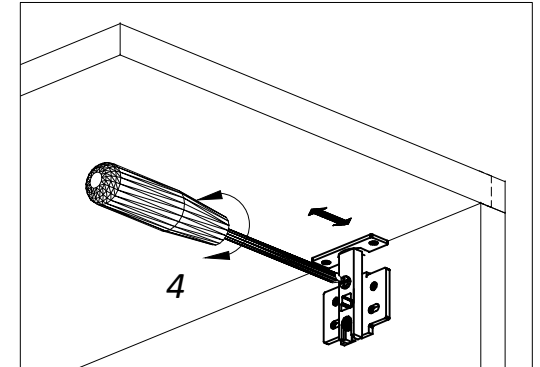
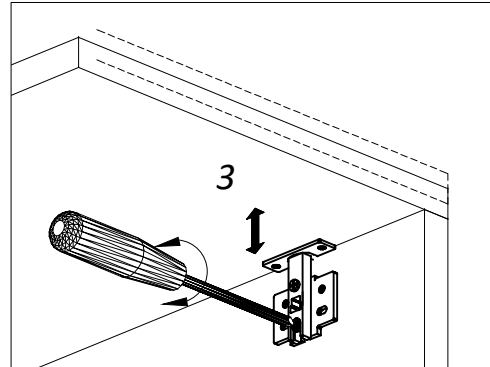
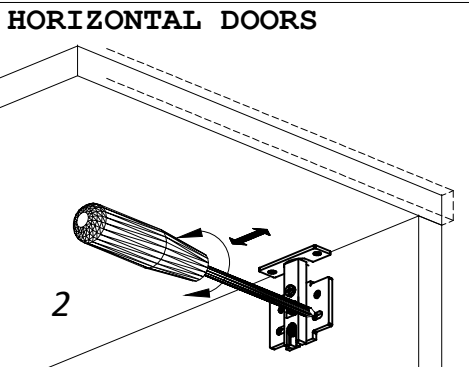
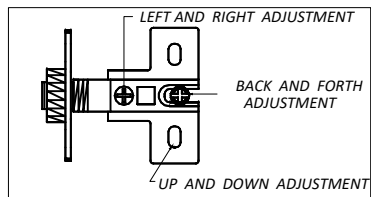
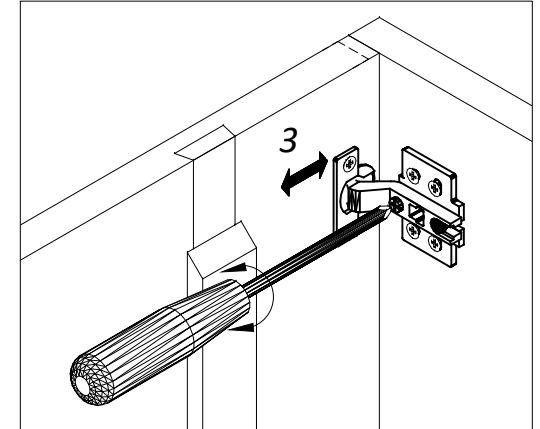
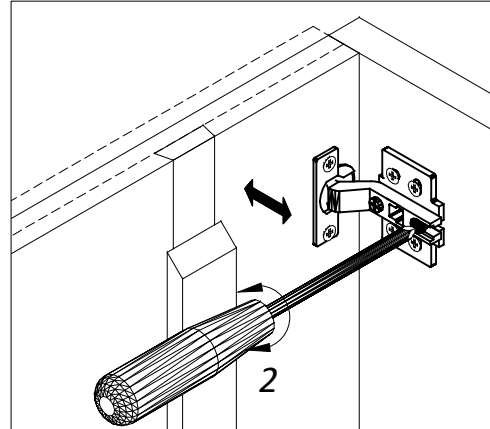
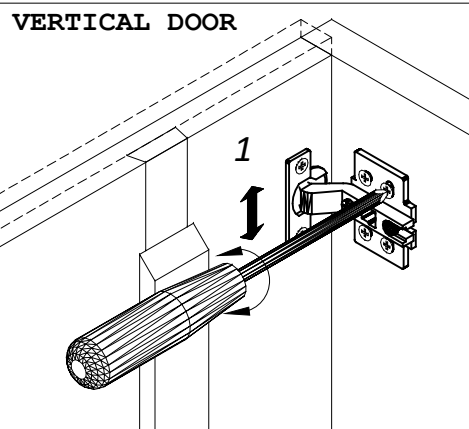
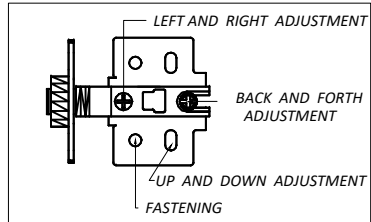
Adjusting Hinges

Your furniture has been expertly crafted and pre-adjusted by professionals. However, slight shifts can occur during transportation. If you notice that the doors are not perfectly aligned or the furniture wobbles, a quick adjustment can help ensure stability and a seamless look.

ADJUST THE HINGES (IF NECESSARY)

NOTE: OBSERVE WHICH TYPE OF HINGE MATCHES THE DIAGRAM FOR ADJUSTMENT.

- 1. Up and Down Adjustment:** To move the cabinet door higher or lower.
- 2. Left and Right Adjustment:** To shift the cabinet door sideways for alignment.
- 3. Back and Forth Adjustment:** To move the cabinet door closer to or farther from the cabinet frame.



TIPS FOR ADJUSTMENT:

These "adjustments" are not preset and will need to be checked to meet the desired look.

* We recommend the use of a #2 Phillips Screwdriver.

* Adjust in small steps and check your progress frequently.

* Use a measuring tape to ensure the gaps between the top and bottom of the door are even.

* Avoid forcing the door closed if it does not align properly, as this may damage the door.

* If the alignment is still off, make further adjustment as needed.

By following these steps, you can achieve a balanced door alignment.