


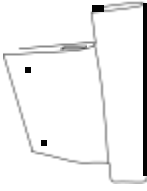

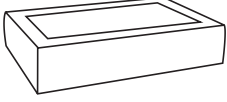
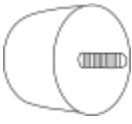


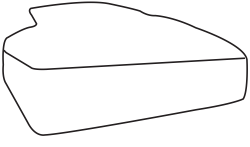


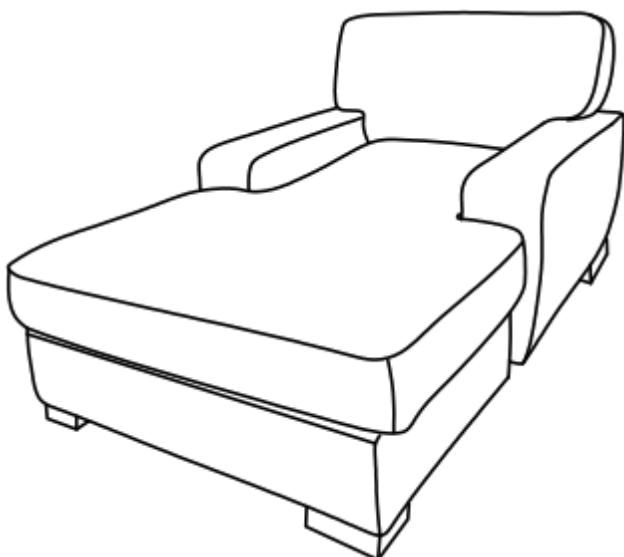


ASSEMBLY INSTRUCTIONS

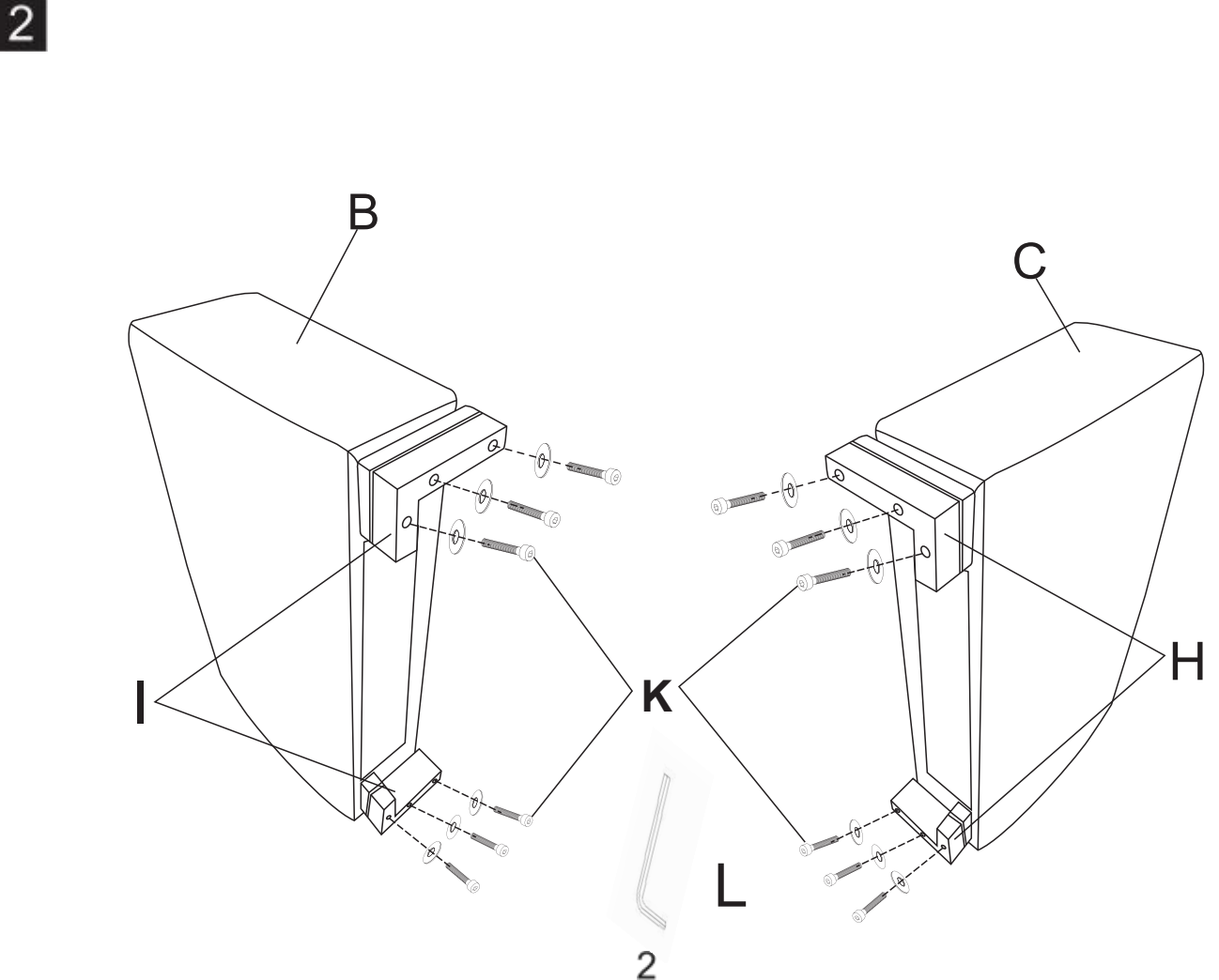
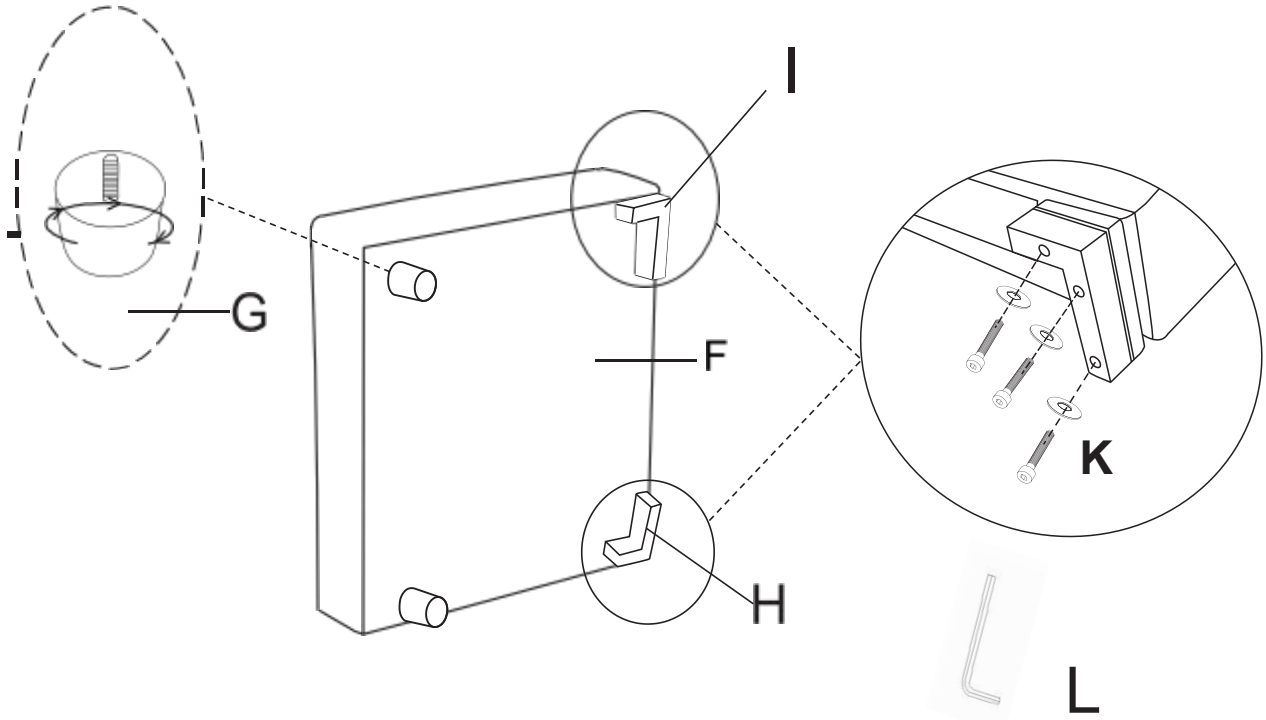
CHAIR

A Seat Frame	B Left Arm	C Right Arm	D Back Rest	E Back Cushion (store under the Seat Frame)
				
1pc	1pc	1pc	1pc	1pc
F Ottoman	G Plastic Legs	H Right Wood Legs	I Left Wood Legs	J Seat cushion
				
1 pc	2 p cs	3 p cs	3 pcs	1pc
K Flat Washer Ø46x2mm	L Hex key			
				
22pcs	1 pcs			

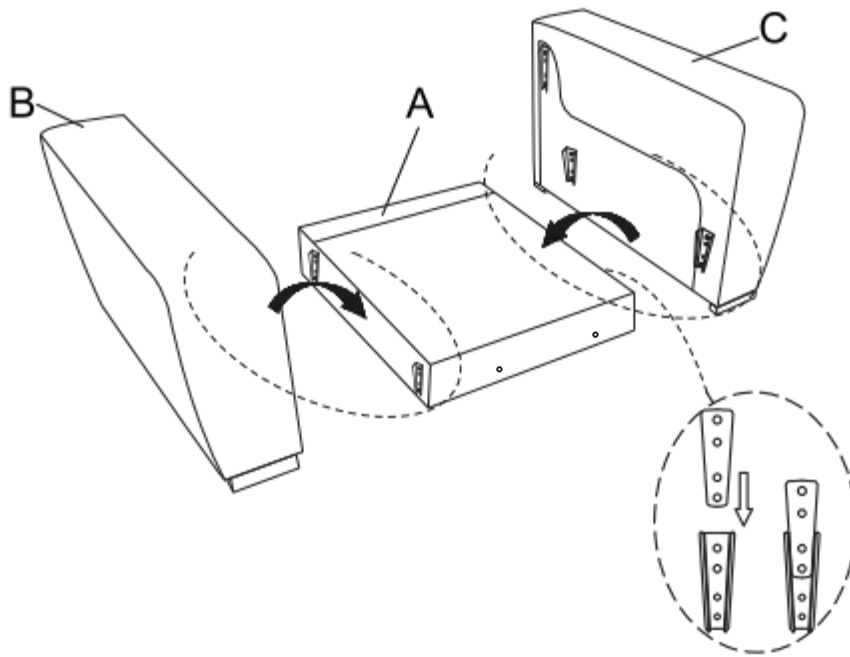


This page lists all the contents included in the box. Please take the time to identify the hardware as well as the individual components to this product. As you unpack and prepare for assembly, place the contents on a carpeted or padded area to protect them from damage.

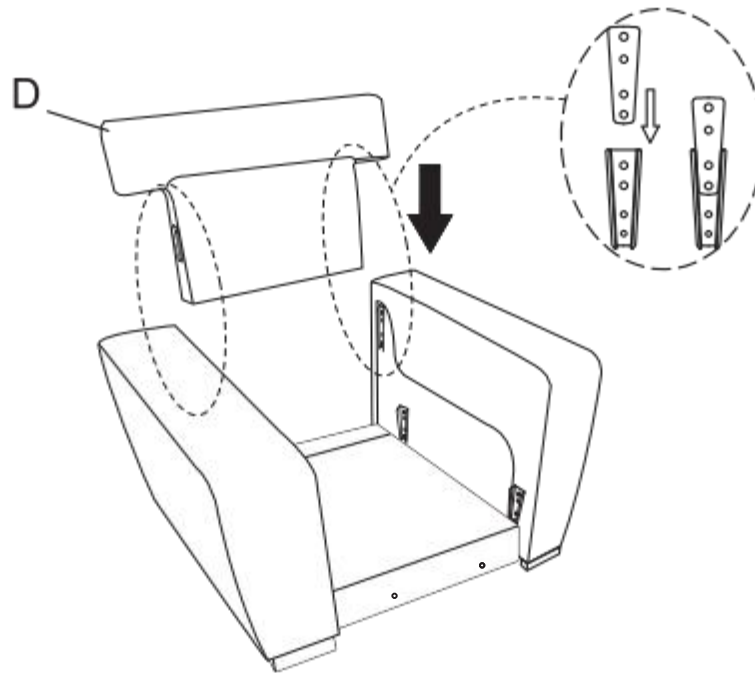
- 1** Open the Ottoman (F), take out the backrest (D), and then align the left wooden foot (I) and the right wooden Foot (H) and the Plastic Wood Legs (G) with the hole position



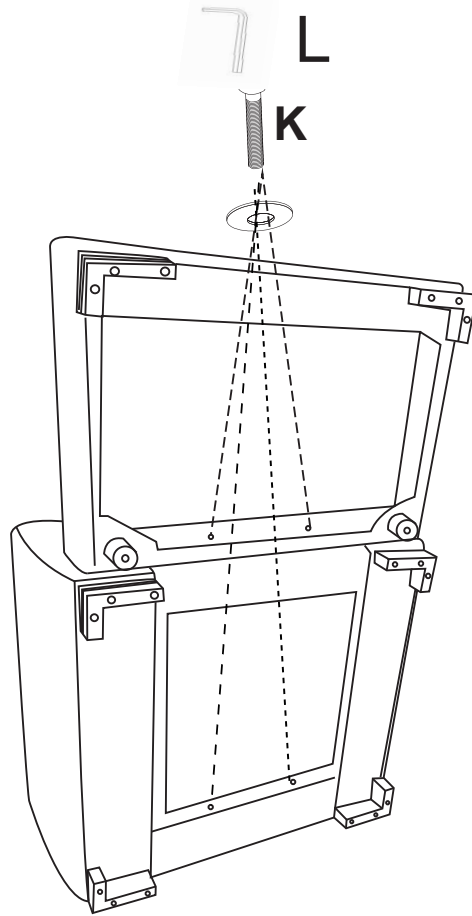
3 Hook on the Left Arm (B) & Right Arm (C) to the Seat Frame (A) properly.



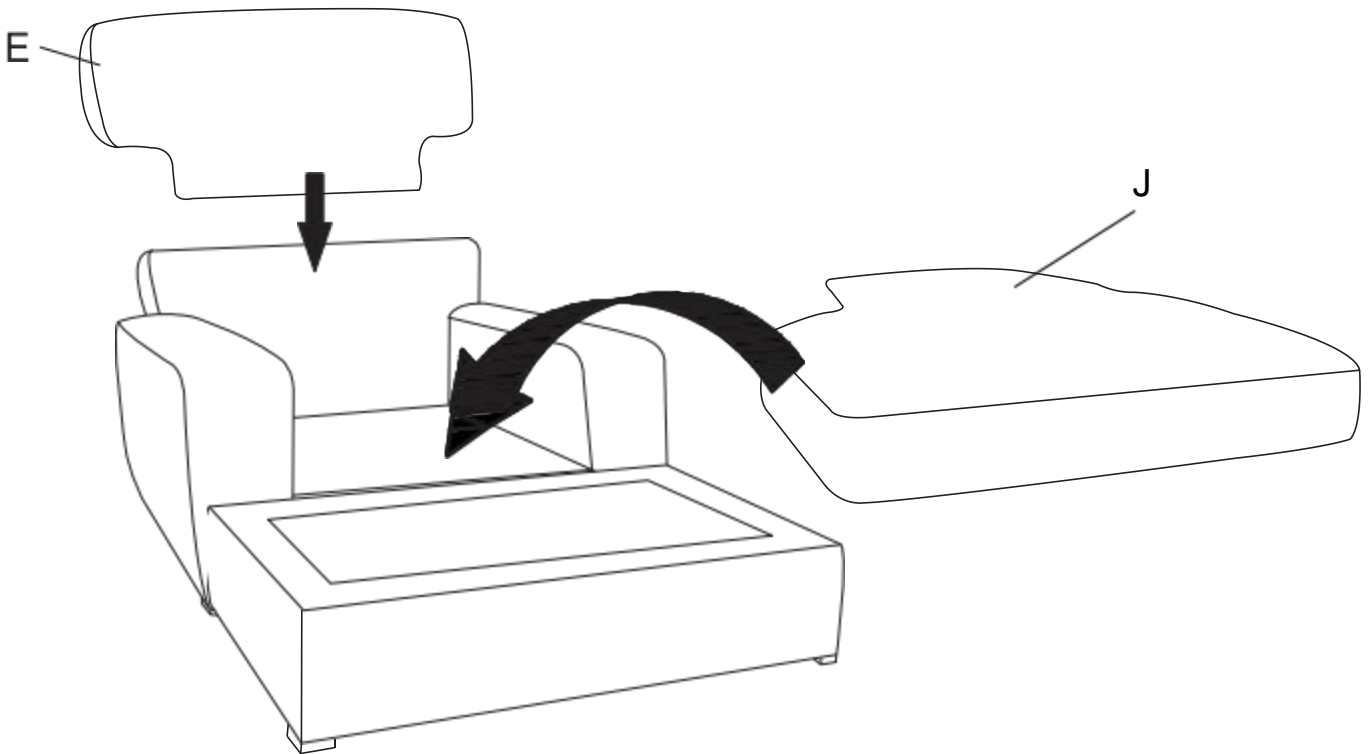
4

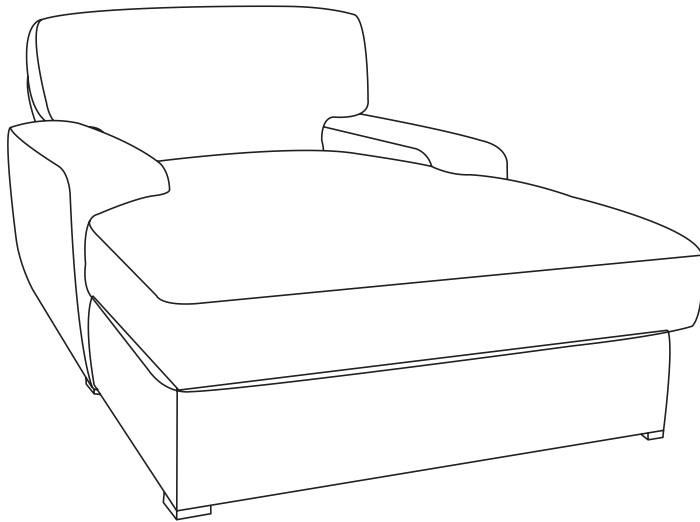


5



6





Cleaning & Care

Treat surface with care. Surface is resistant to scratches but is not scratch resistant. Clean surfaces with a dry or damp soft cloth. Do not use abrasive cleaners. Hardware may loosen over time. Periodically check that all connections are tight.