

# ASSEMBLY INSTRUCTIONS

RAN-DA-5-03-H. QUEEN HEADBOARD

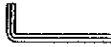
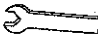








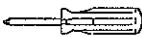
RAN-DA-5-09-G. QUEEN STORAGE FOOTBOARD

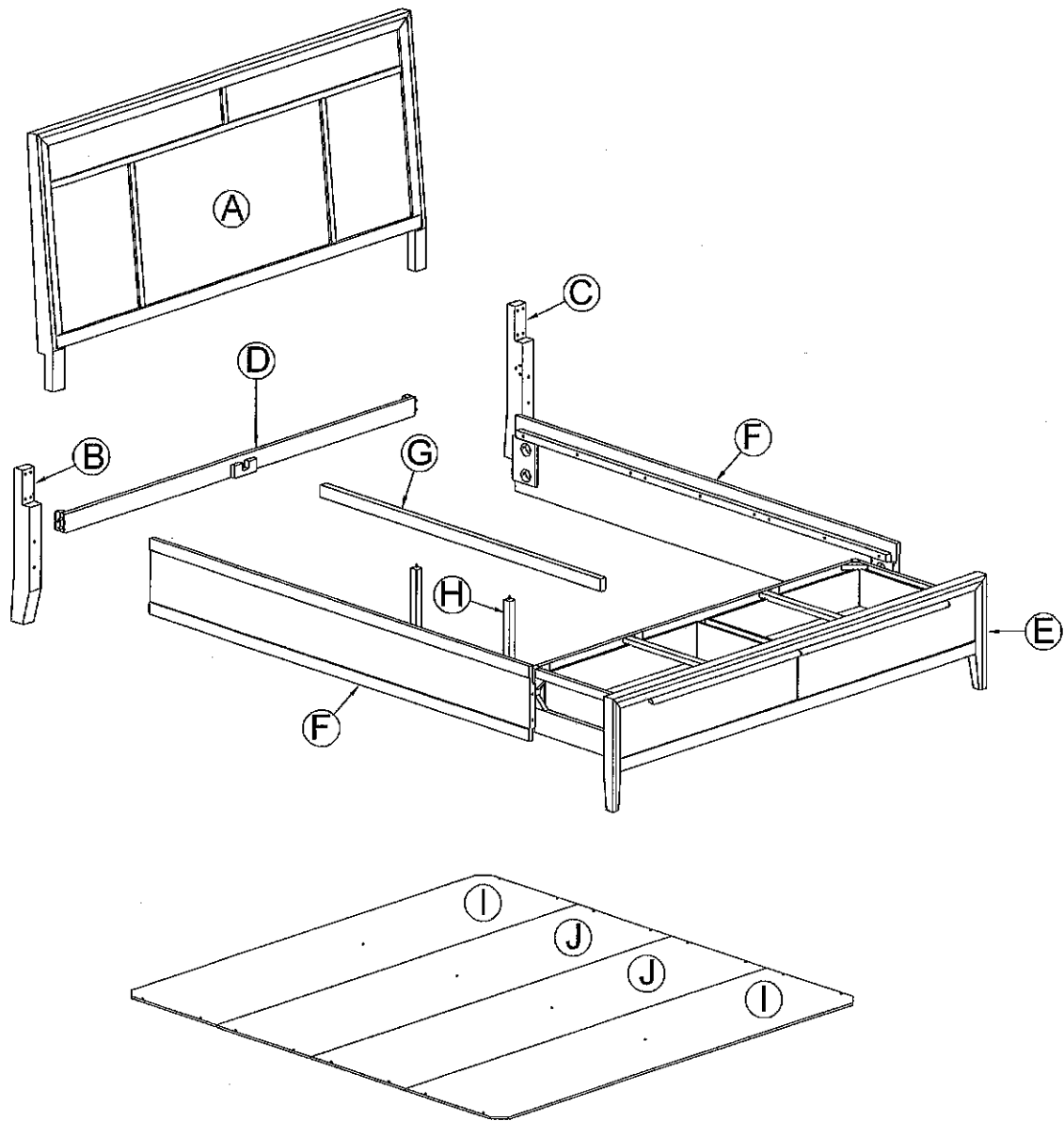
RAN-DA-5-09-R. QN/EK RAILS W/SUPPORTS FOR STORAGE BED

RAN-DA-5-09-P. QUEEN PLATFORM

Thank you for purchasing this quality product. Be sure to check all packing material carefully for small parts, which may have come loose inside the carton during shipment. Identify and count all parts and compare with the Hardware List as below:

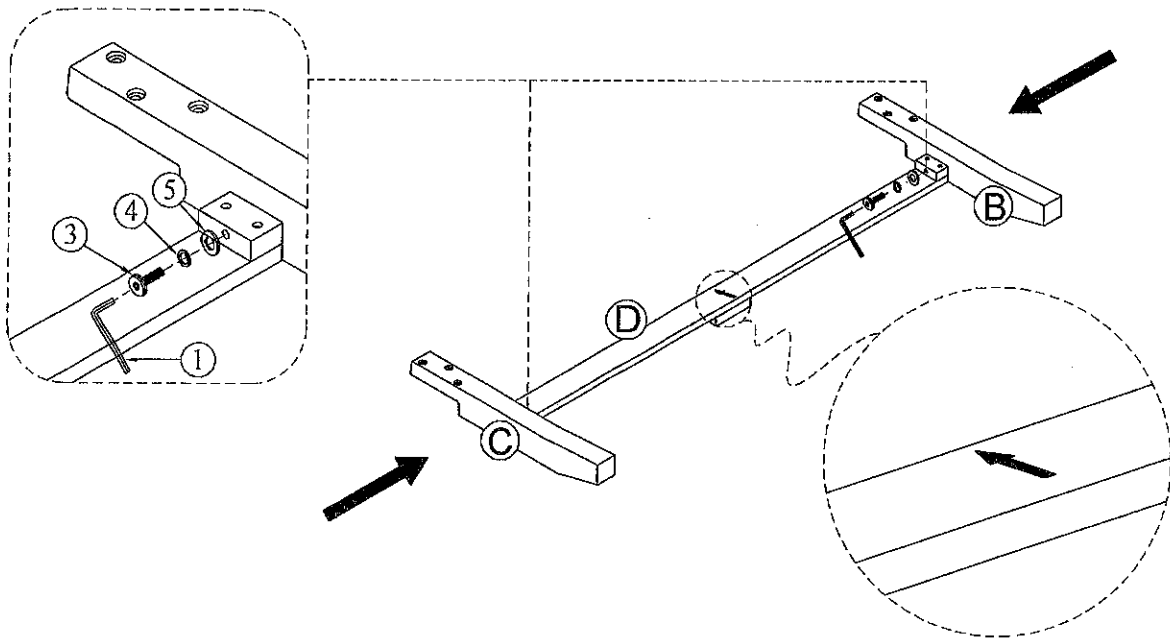
	No	Description	Qty
HEADBOARD	A	Headboard	1
	B	Headboard Leg (Left)	1
	C	Headboard Leg (Right)	1
	D	Headboard Bottom Rail	1
FOOTBOARD	E	Footboard	1
PANEL RAILS	F	Side Rail	2
	G	Center Rail Support	1
	H	Leg Support	2
PLATFORM	I	Platform	2
	J	Platform	2

	No	Picture	Description	Dimension	Qty
Hardware list	1		Allen Key	M4 x 70mm	1
	2		Wrench	13 x 90mm	1
	3		Bolt	M8-1.25 x 60mm	10
	4		Lock Washer	Ø9/Ø11mm	10
	5		Flat Washer	Ø8/Ø19mm	10
	6		Thread Bolt	M8-1.25 x 90mm	8
	7		Half moon Washer	7 x 14 x 22mm	8
	8		Hexagan Nut	M8-1.25 x 17mm	8
	9		Screw	M4 x 25mm	20
	10		Screw	M4 x 50mm	2
	11		Phillips Head Screwdriver ( Not Included )		

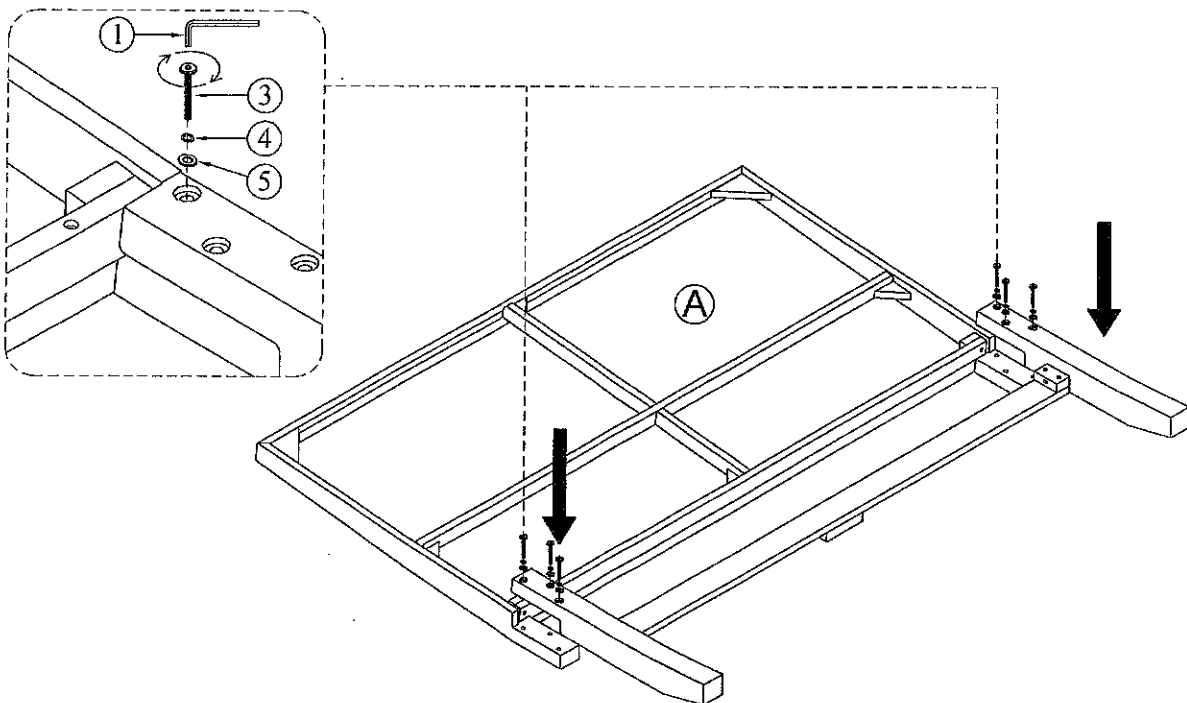


# ASSEMBLY STEP

## STEP 1

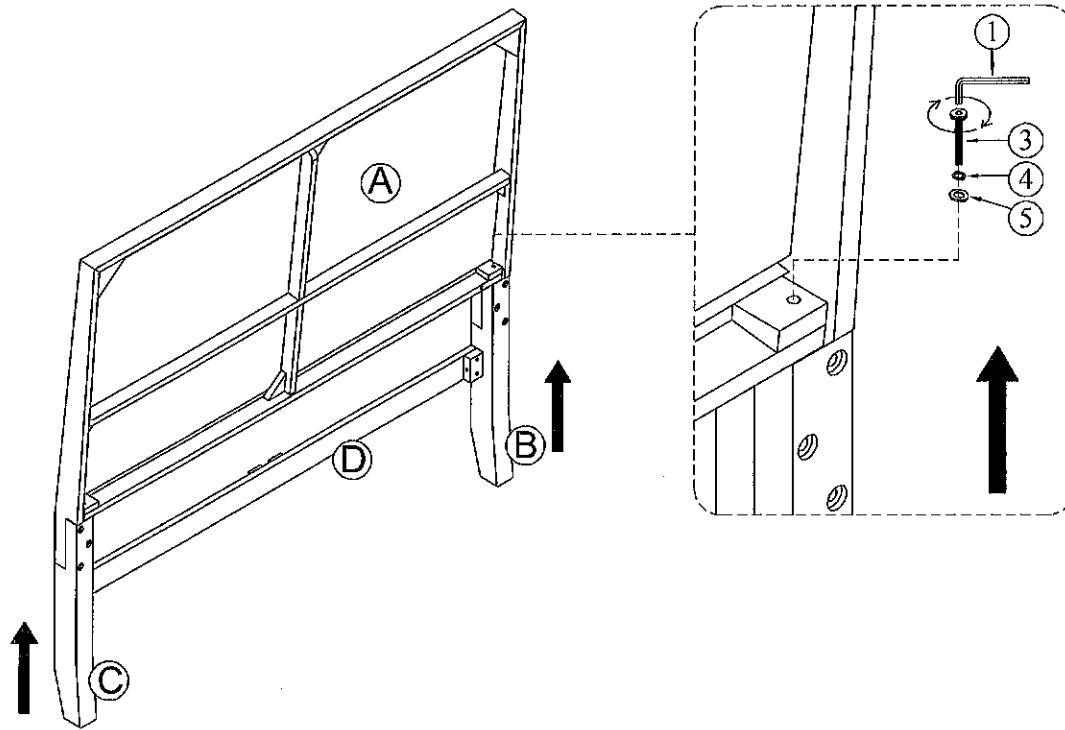


## STEP 2

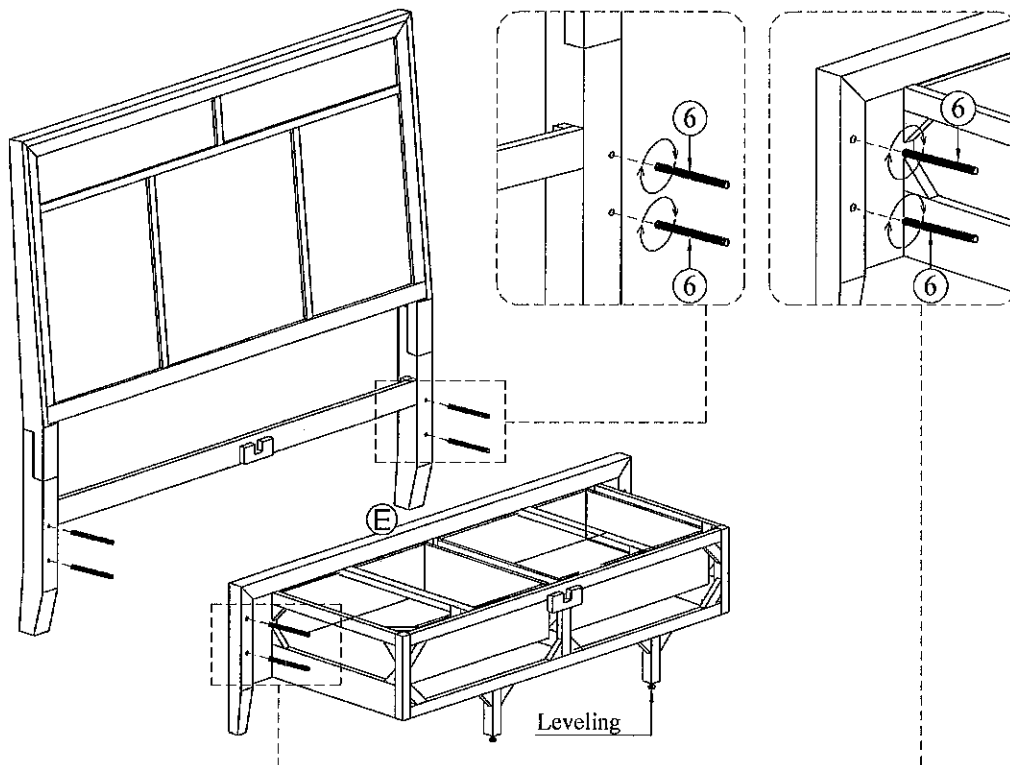


# ASSEMBLY STEP

## STEP 3

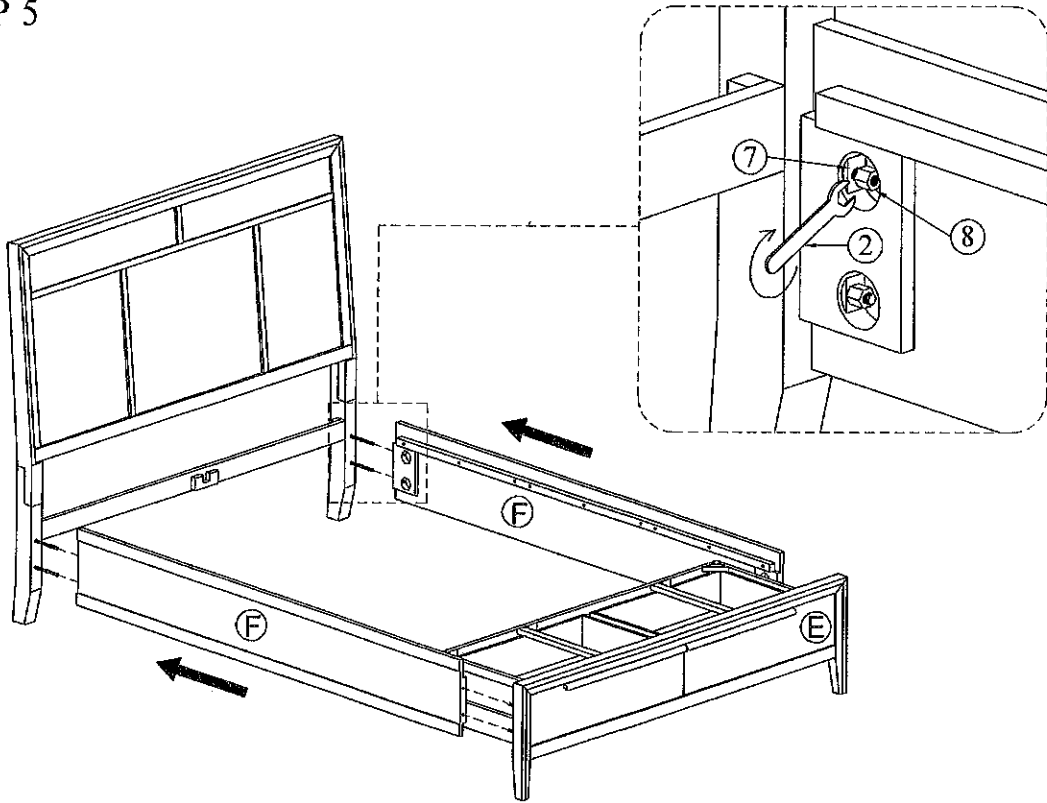


## STEP 4

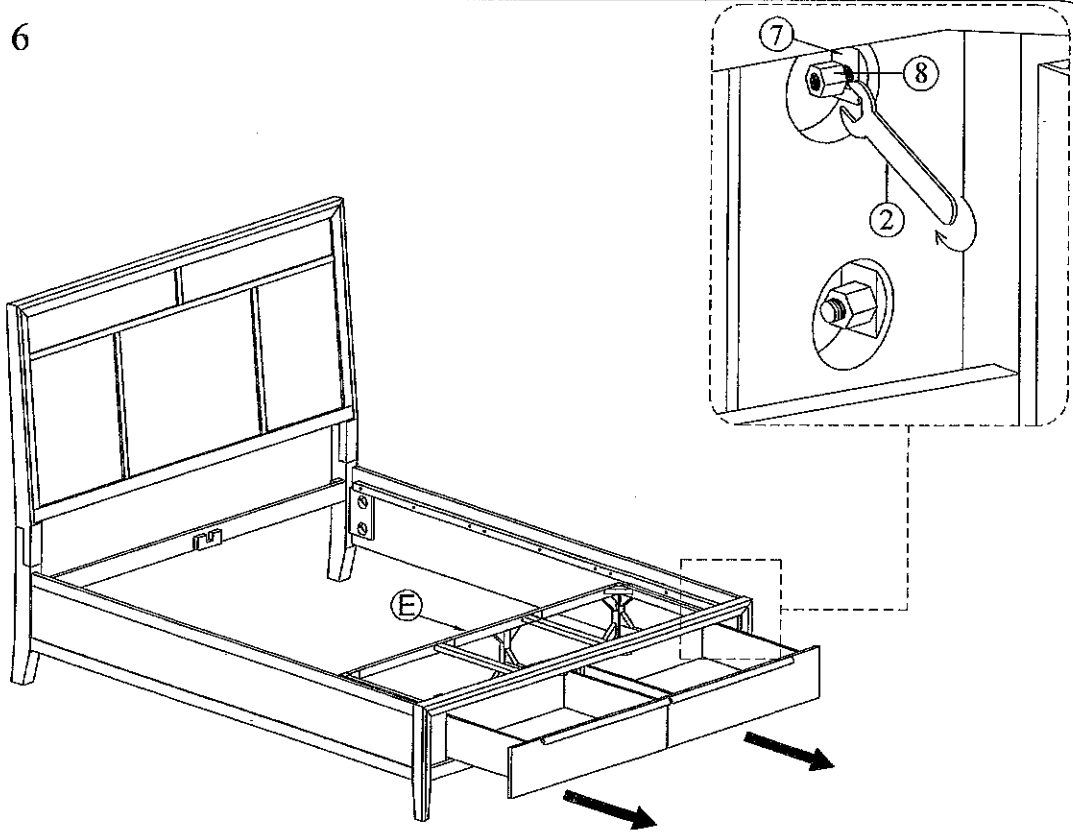


# ASSEMBLY STEP

## STEP 5

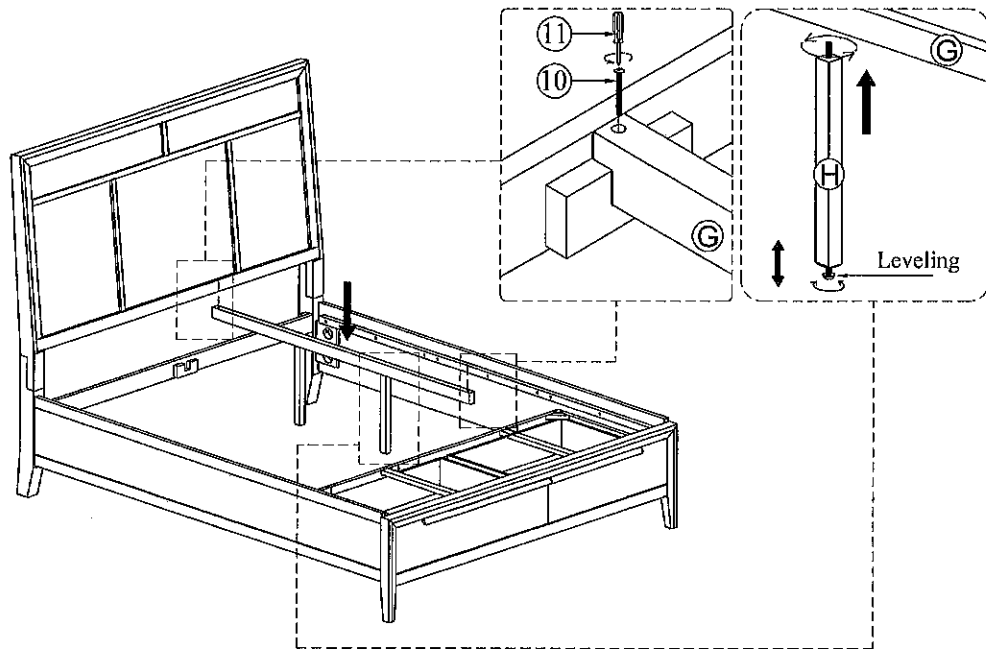


## STEP 6



# ASSEMBLY STEP

## STEP 7



## STEP 8

