

SHOWER ENCLOSURES

INSTALLATION INSTRUCTIONS

SHOWER ENCLOSURES:

LBSDD4879-C+LBSED3679-CB
LBSDD4879-B+LBSED3679-CB
LBSDD6079-C+LBSED3679-CB
LBSDD6079-B+LBSED3679-CB
LBSDD7279-C+LBSED3679-CB
LBSDD7279-B+LBSED3679-CB

LBSDD4879-C+LBSED34579-CB
LBSDD4879-B+LBSED34579-CB
LBSDD6079-C+LBSED34579-CB
LBSDD6079-B+LBSED34579-CB
LBSDD7279-C+LBSED34579-CB
LBSDD7279-B+LBSED34579-CB



PREPARATION FOR INSTALLATION

READ ALL INSTRUCTIONS BEFORE UNPACKING THE PRODUCT

CAUTION! **TWO PERSON LIFT REQUIRED**

2 PEOPLE ARE REQUIRED TO LIFT AND DURING ENTIRE INSTALLATION OF THIS PRODUCT

LessCare reserves the right to change, update, modify, alter, redesign this manual/product or its policies without prior notice! It is your responsibility to visit website to download or contact customer service for the most updated version of the installation instructions.

LessCare shall not be liable for any injuries or property damages in connection with this product during installation or use of this product!

IMPORTANT UNPACKING INSTRUCTIONS:

When you have open top carton box lid, do not take shower glass doors or panels out before you read this and have this items in place. Have a soft cloth blanket min ¼" thick and make sure cloth blanket is bigger then your glass doors or panels in your working area place. Set this soft cloth blanket on the floor of working area. Take out shower glass doors or panels out from the Carton box and set it on the soft cloth blanket. Do not lean it on the wall or floor without the soft cloth blanket.

ATTENTION! Never set glass on floor or tile or solid floor or wall surface without a soft cloth blanket if you set it without soft cloth blanket it will cause scratches to the tempered glass and this will cause it to shatter right away or when installed or when you start using it, improper handling causes scratches on the glass doors or panels. When installing glass doors or panels be sure your have inspected glass doors or panels fully before installing it. Do not install and Stop installation if you see or find scratches or chipped corners on your glass doors or panels. NEVER set glass doors or panels on its corners make sure the your floor is level with the soft cloth blanket when preparing glass doors or panels for installation.

After opening all boxes and packages, read this introduction carefully. Check that all of the needed parts are included in the package by checking all the components on the diagram of components. Examine boxes and packages for shipping damage. If the unit has been damaged or missing parts, please contact our customer support department immediately. Please note that LessCare will not replace any damaged products or missing parts after 2 business days of the order receipt.

VERY IMPORTANT! Double check all glass corners and four edges of all glass door and panels to make sure that all the glass are in perfect condition and without any scratches or chipped corners. Do not try to install the shower door, if there is any scratches or chipped corners. Note, that you should consult your local building codes with questions on installation compliance standards. Building and plumbing codes may vary from state to state and location. LessCare is not responsible for code compliance standards for your project and will not accept any returns. Prior to installation, ensure that the installation surface is leveled and solid, and will be able to support the total weight of the unit. Also, make sure the walls are at the right angles. Irregular installation surface level or improper angle of side walls will result in serious problems during installation. Note, that some adjustments and drilling will be necessary during the installation process.

VERY IMPORTANT! Installation of this extremely heavy product to the wall requires minimum of 2" x 4" wood stud framing behind the wall.



INSTRUCTIONS THAT, IF IGNORED COULD RESULT IN SERIOUS INJURY OR DEATH CAUSED BY INCORRECT HANDLING OR INSTALLATION OF THE PRODUCT. THESE INSTRUCTIONS MUST BE OBSERVED FOR SAFE INSTALLATION!

LICENSED AND INSURED PROFESSIONAL CONTRACTOR IS REQUIRED TO INSTALL THIS PRODUCT INCLUDING ASSISTANCE OF A SECOND PERSON DURING INSTALLATION

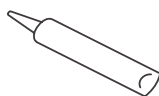
No modifications to the product are allowed. Modifications of any types to the product will result in serious injuries or may cause death.

IMPORTANT: Do not install the handle on to the glass door until the instruction tells you to do so. Never lift the glass using the handle. Failure to do so will result in serious personal injury and could cause damages to the glass. Professional graded glass suction cups are highly recommended while handling extremely heavy glass. This product must be installed on a finished threshold and against finished walls only. This product is intended for residential use only.

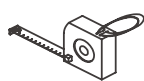
TOOLS REQUIRED



Soft Cloth or Blanket



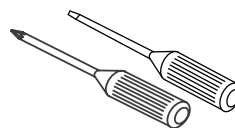
Silicone



Tape Measure



Pencil/Marker



Philips/Straight Screwdriver



Drill Bit
ø = 5/16"



Drill Bit
ø = 1/8"



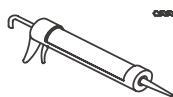
Safety Glass



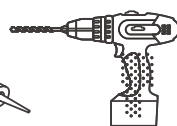
Knife



Level



Caulk Gun



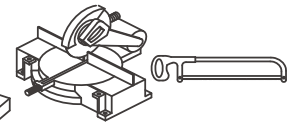
Drill



Hammer



Soft Wood Shim

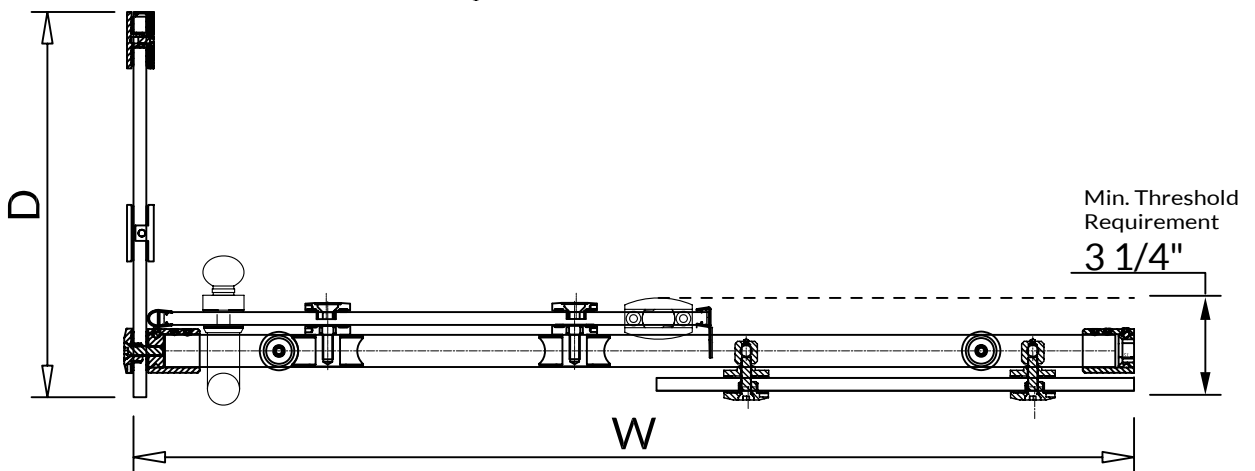
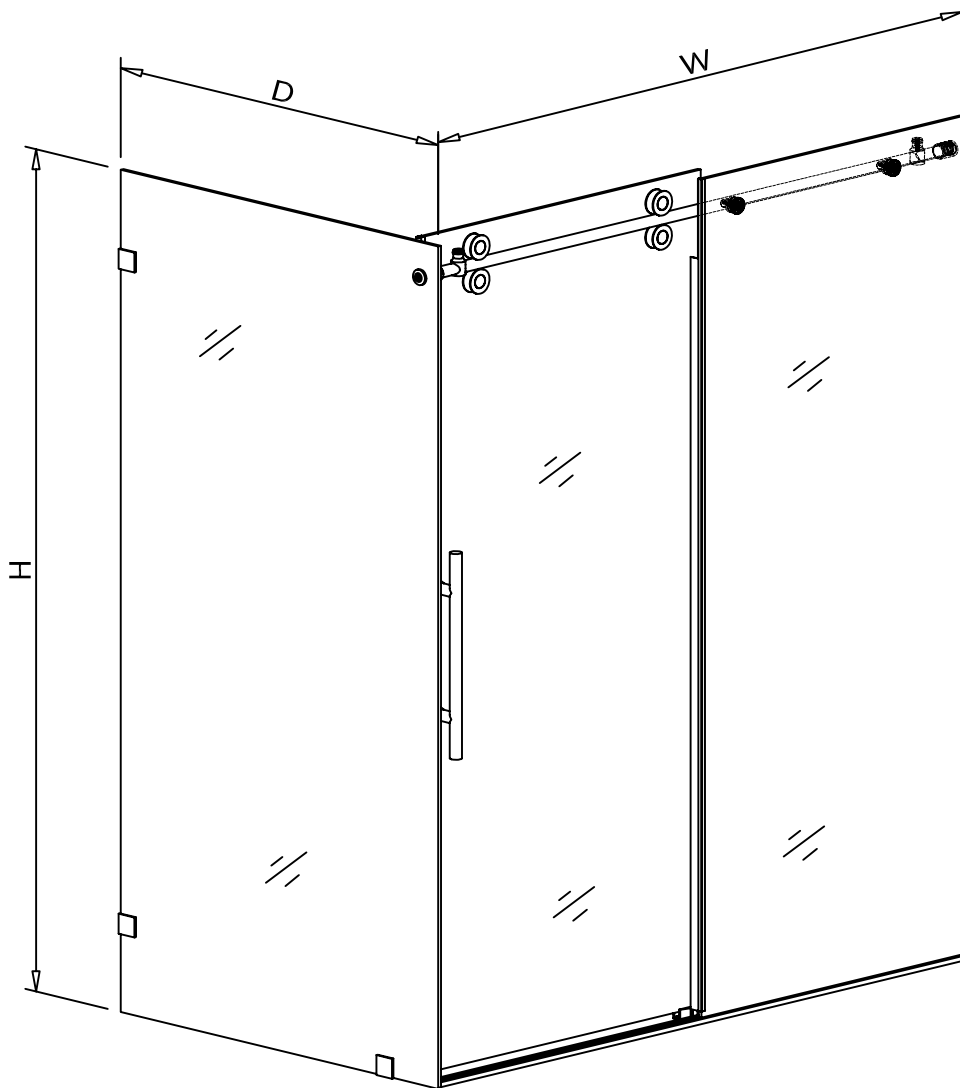


Miter saw or Hacksaw

OTHER TOOLS MAY BE REQUIRED

www.lesscare.com

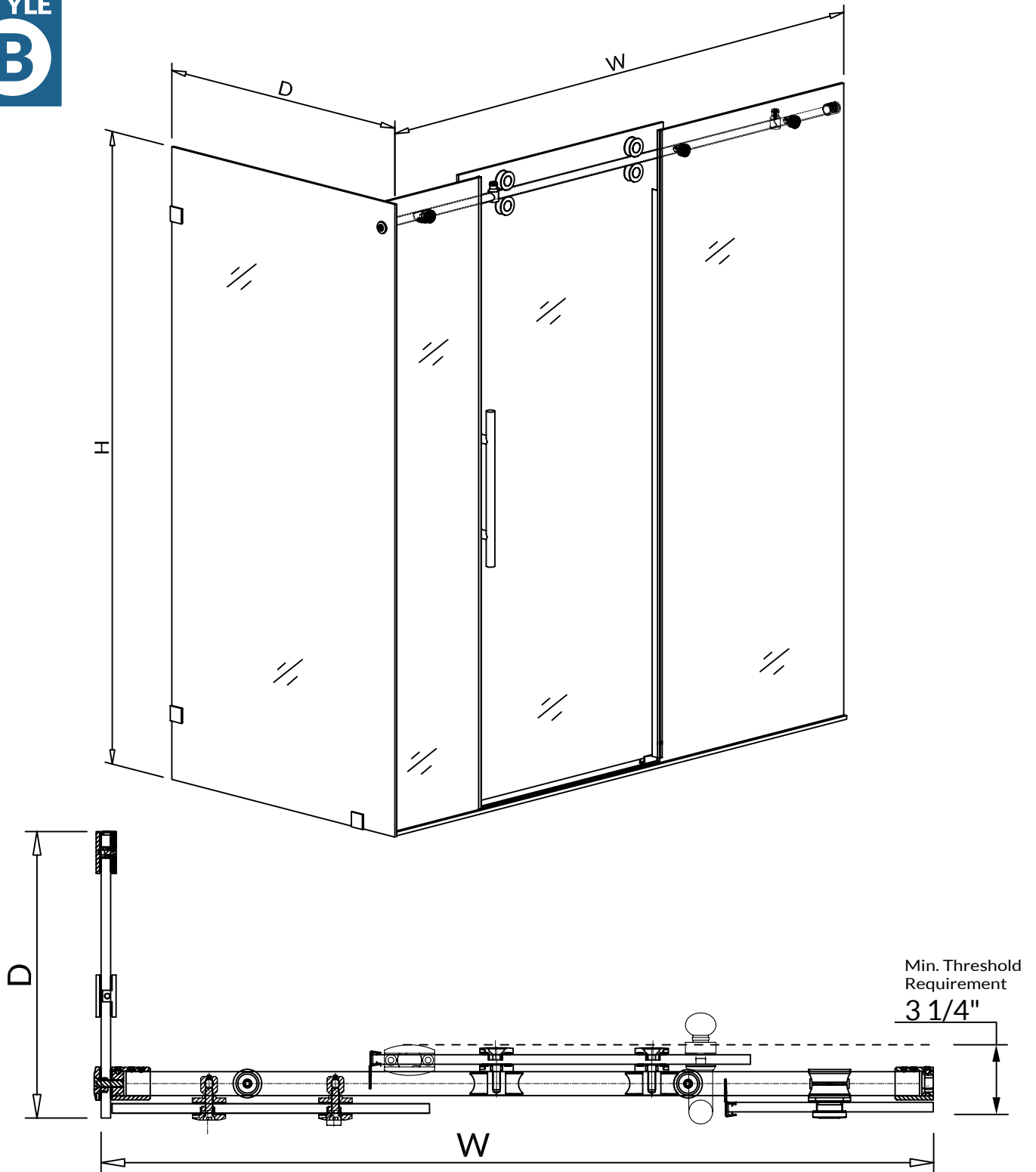
STYLE
A



Threshold Requirement (Size): 3 1/4"

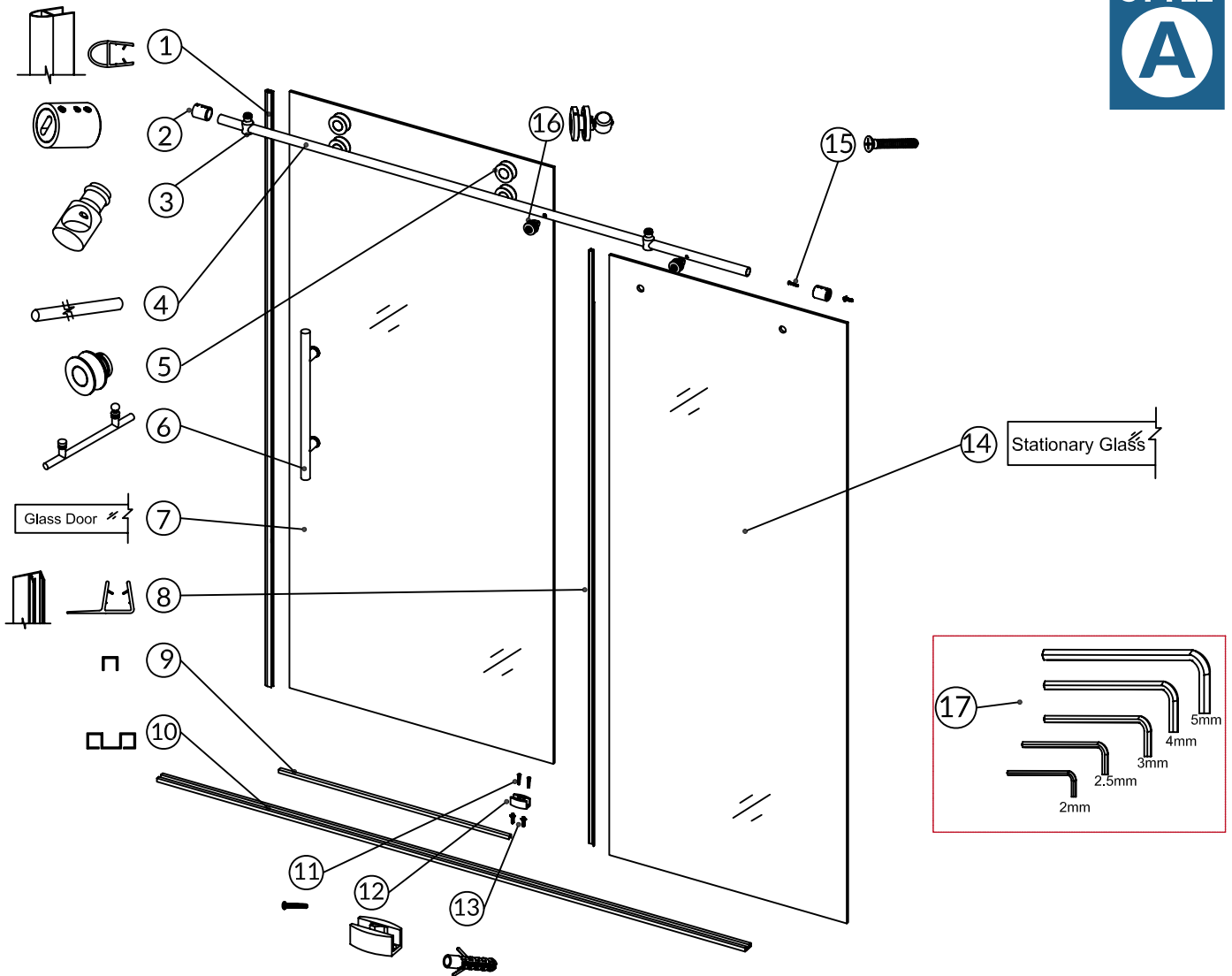
SAFETY IMPORTANT NOTE: Installation of shower or bathtub door requires to be installed only on smooth and flat surface of both walls and threshold base (shower base or bathtub).

STYLE
B



Threshold Requirement (Size): 3 1/4"

SAFETY IMPORTANT NOTE: Installation of shower or bathtub door requires to be installed only on smooth and flat surface of both walls and threshold base (shower base or bathtub).



Item#	Description	Qty
1	Bumper Strip	1 pc
2	Guide Rail Bracket	2 pcs
3	Glass Door Stopper	2 pcs
4	Upper Guide Rail	1 pc
5	Roller	2 pcs
6	Handle	1 pc
7	Glass Door	1 pc
8	Side Anti-Water Strip	1 pc
9	Anti-splash Threshold	1 pc

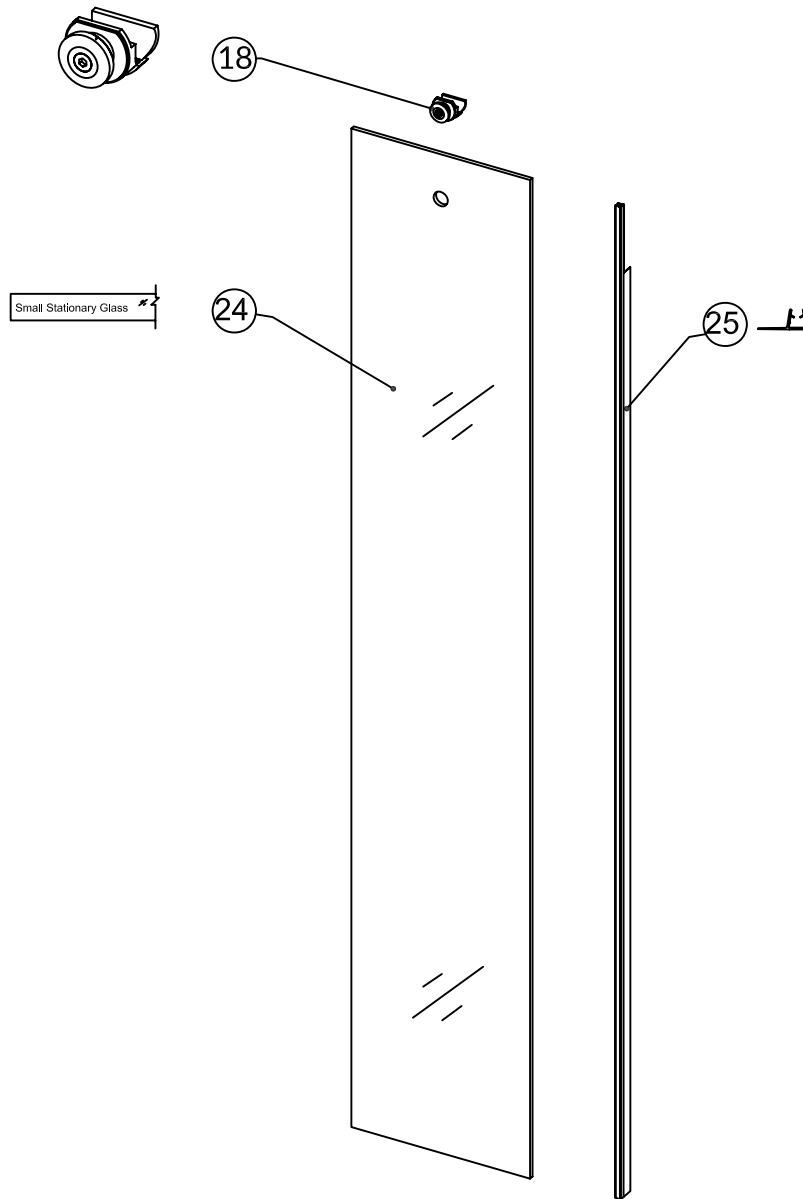
Item#	Description	Qty
10	Threshold Cover	1 pc
11	Screw M5X30	2 pcs
12	Guide Block	1 pc
13	Wall Anchor	4 pcs
14	Stationary Glass	1 pc
15	Screw M5X60	2 pcs
16	Mount Clamp	1 pc
17	Allen Key	5 pcs
18		

REMARK: For Style B, there will be no item #1 bumper strip.

This door has NO out-of-plumb adjustment

SMALL STATIONARY GLASS COMPONENTS

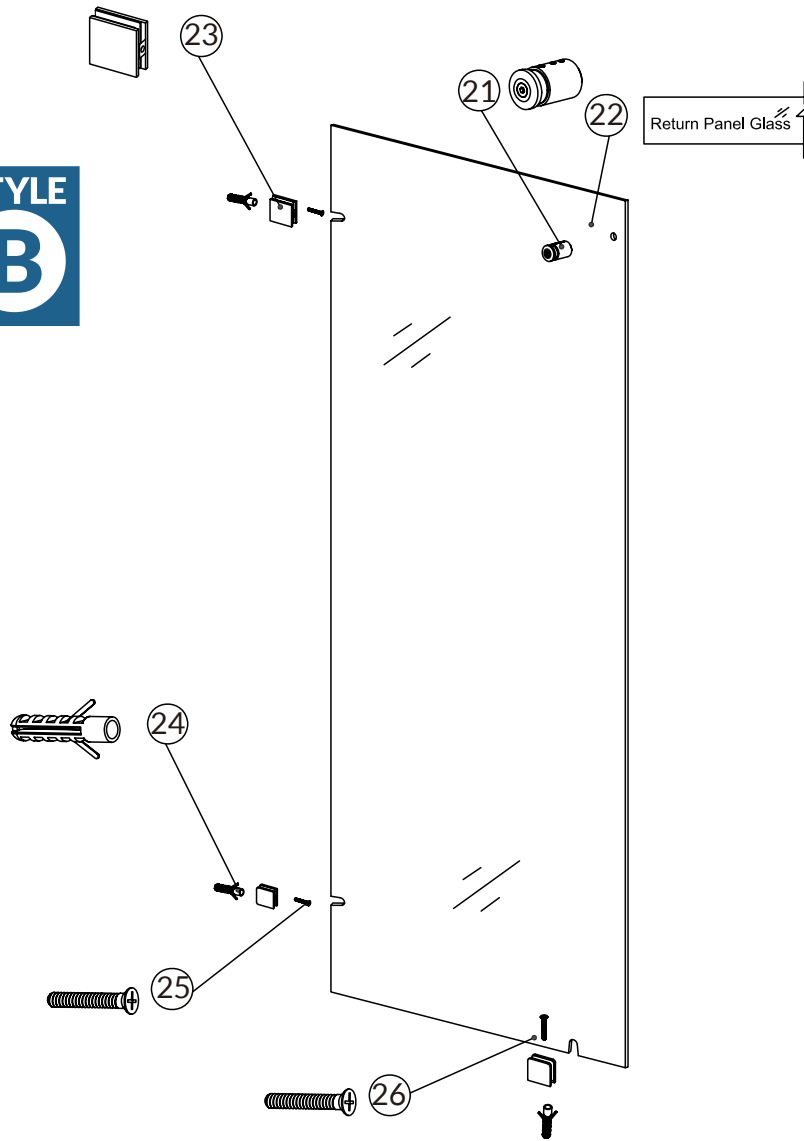
STYLE
B



Item#	Description	Qty
18	Glass Bracket for Small Stationary Glass	1 pc
19	Small Stationary Glass	1 pc
20	Side Anti-Water Strip	2 pcs

RETURN PANEL COMPONENTS

STYLE A STYLE B



Item#	Description	Qty
21	Glass connector	1 pc
22	Return Panel Glass	1 pc
23	Mount Clamp	3 pcs
24	Wall Anchor	3 pcs
25	Screw M4X60	2 pcs
26	Screw M4X45	1 pc

STYLE A **STYLE B** *Assembly and Installation*

1. Measure the distance between two finished walls.
This distance is marked as W.

Please see Fig 1 for details

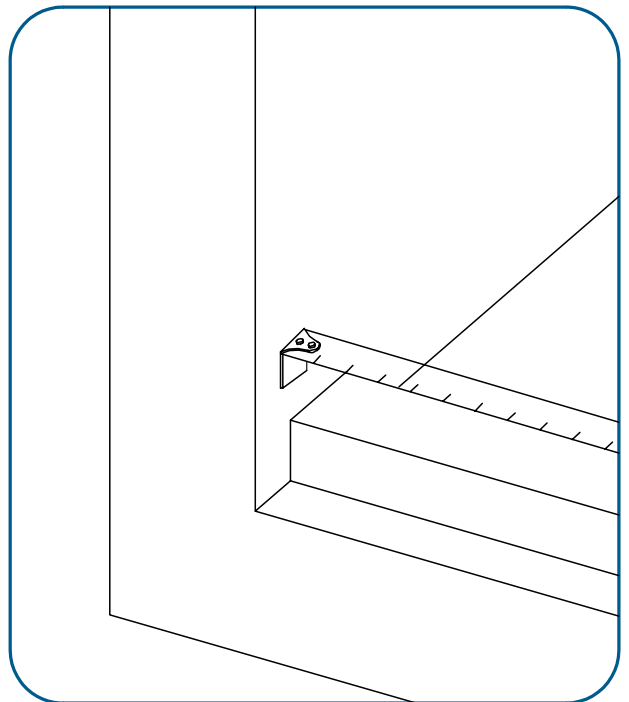
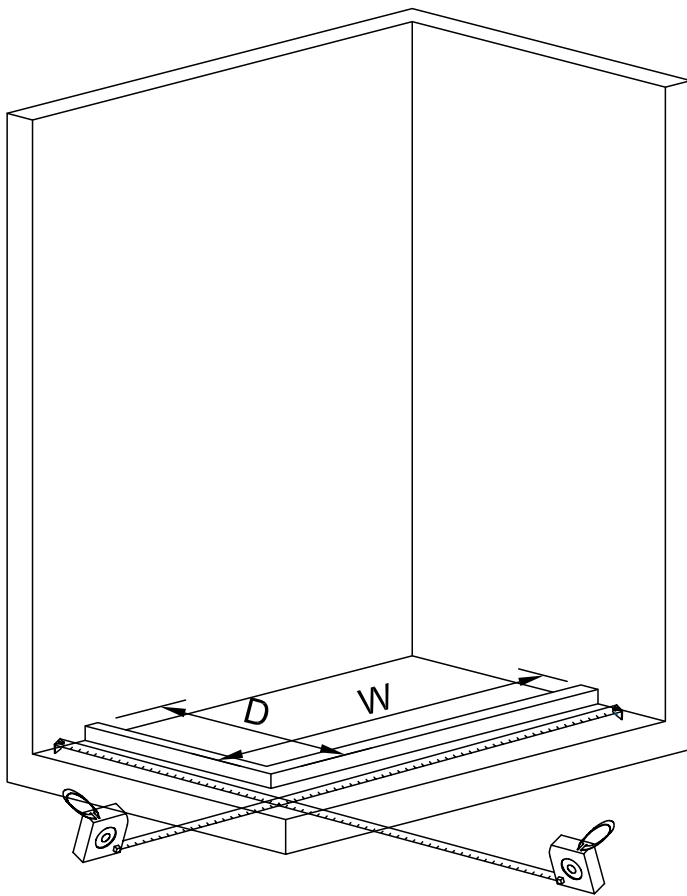
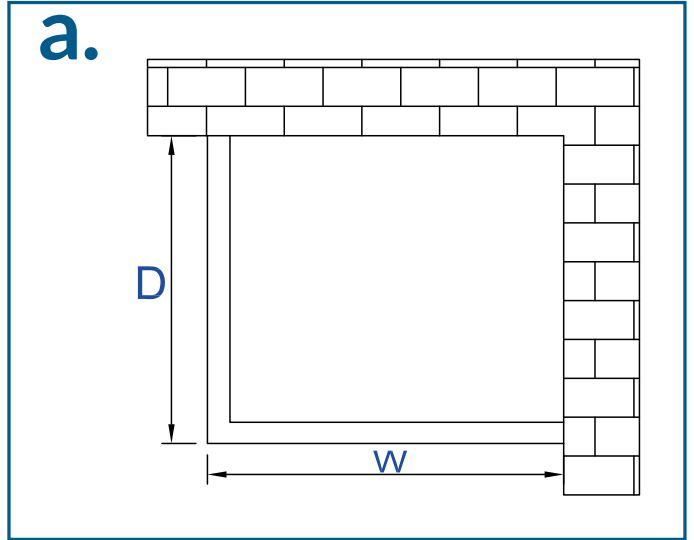
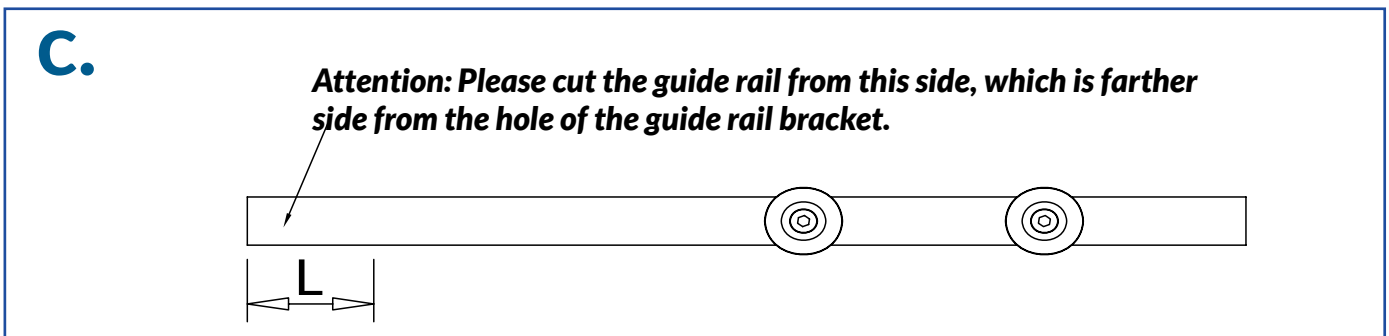
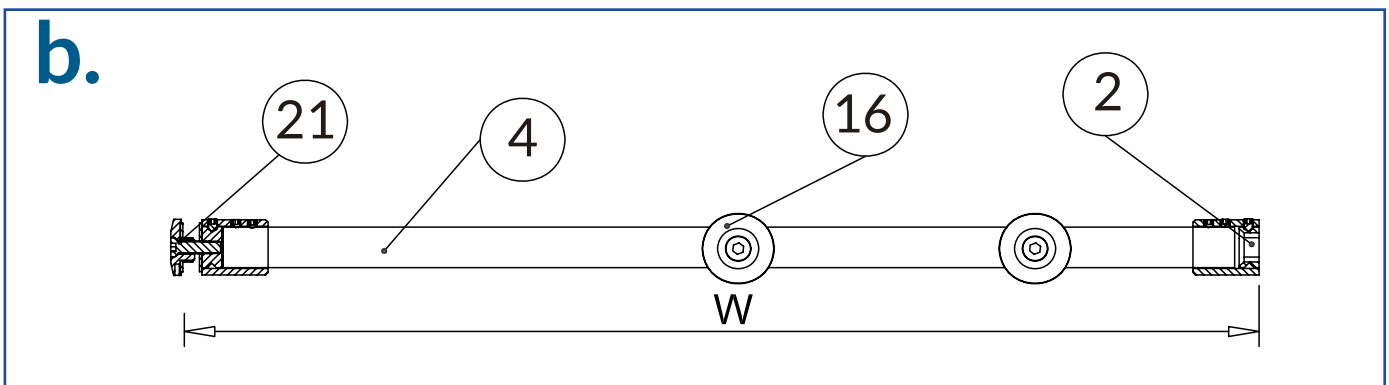
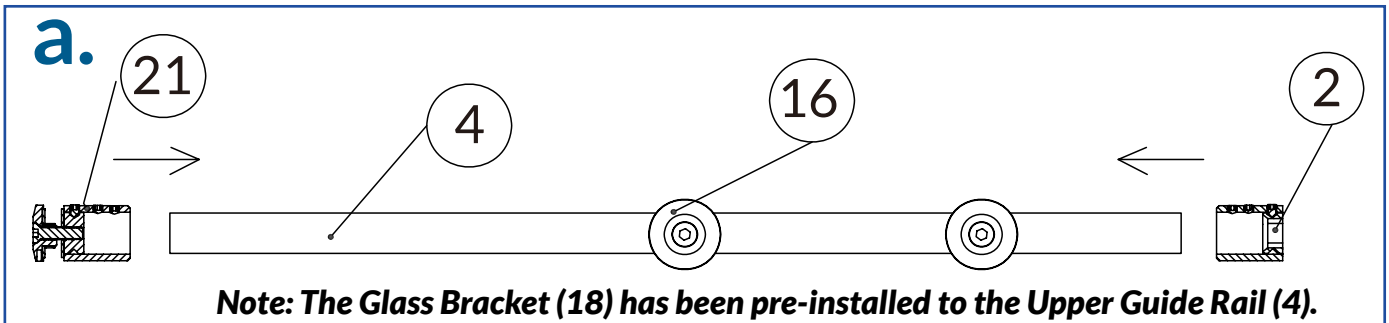


Figure 1



2. Your Upper Guide Rail (4) has been pre-cut for your Shower model opening width: 48" or 60" for shower width. If W-width of your wall-to-wall opening is equal to the size of your Shower model, it is unnecessary to cut the Upper Guide Rail and you can continue to Step 3. If W-width of your wall-to-wall opening is less than the size of your Shower model, you will need to cut the Upper Guide Rail from the end which is farther from the Glass brackets (16). The length to cut off will be L:
 $L = \text{Shower model size} - W$
 Remark: With the Return Panel Installed, you need to cut the roller bar 1/2" at least.

See Fig. 2 for details.

FOR EXAMPLE
 If your wall opening $W=47"$. Your shower model is 48".
 $L=48"-47"=1"$,
 You have to cut 1" off from the rail.

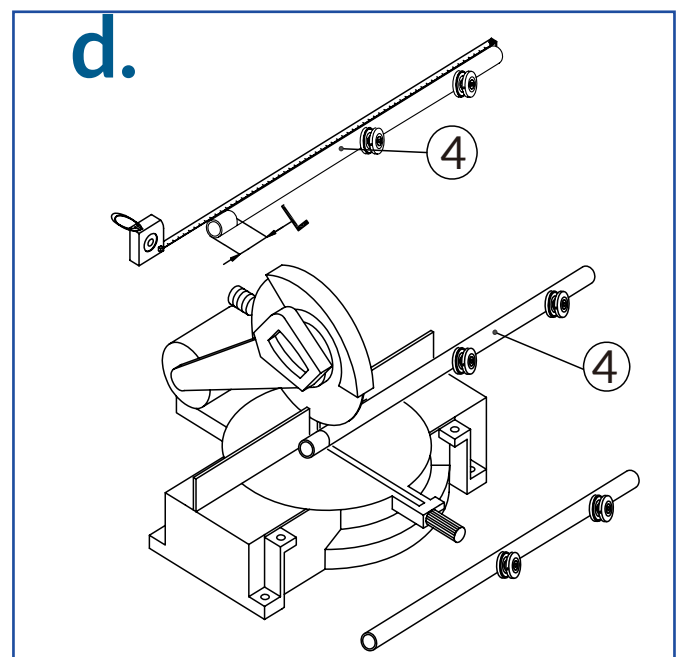


Figure 2

3. Install Return Panel

3.1 Loosen the screw on the Clamp (23) with Allen Key. Disassemble the Clamp and install the clamp on the notch of the Return Panel Glass (22).

IMPORTANT: Make sure that clear rubber gaskets and washer are in between the glass and clamp's plates. Make sure that the clamp with screw is facing inside the shower.

Please see Fig 3 for details

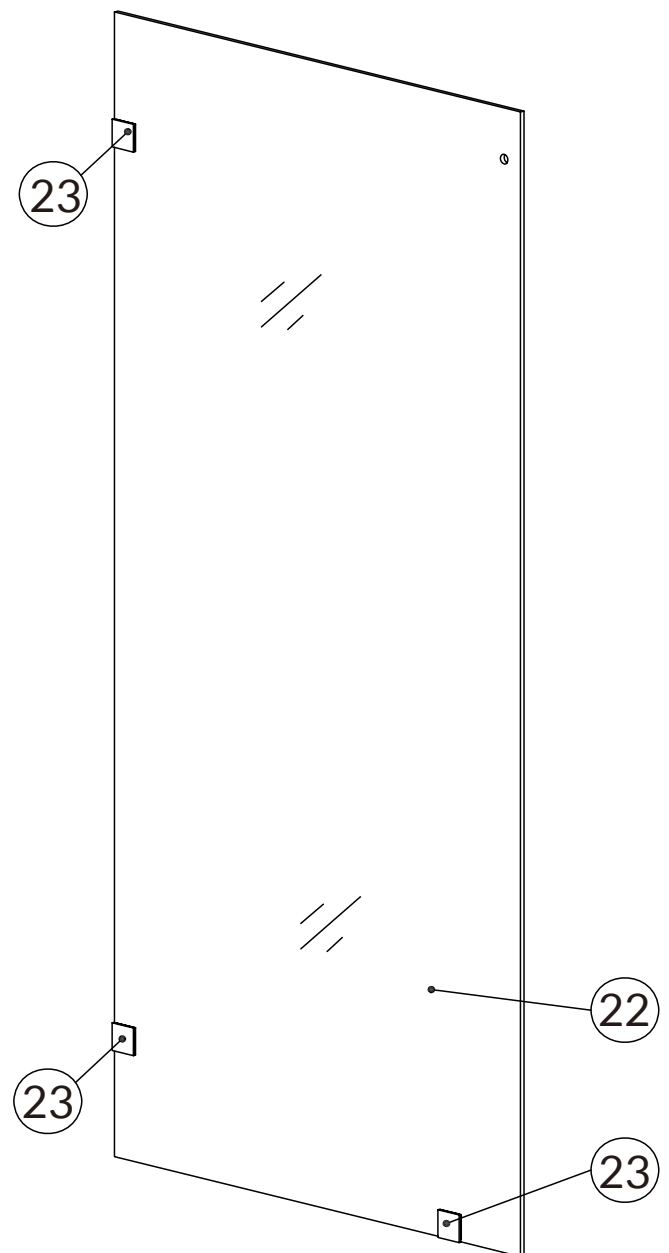
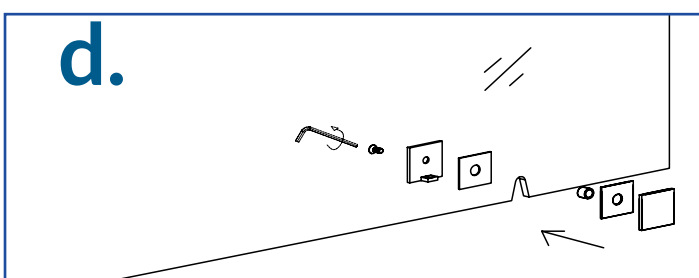
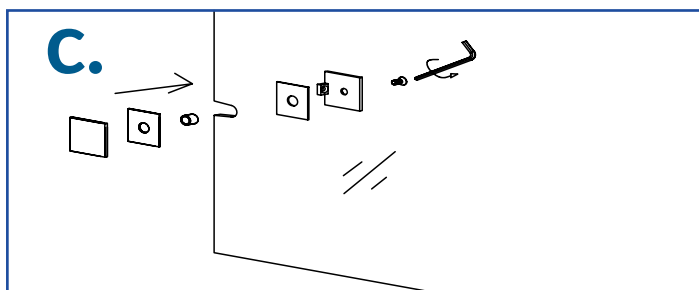
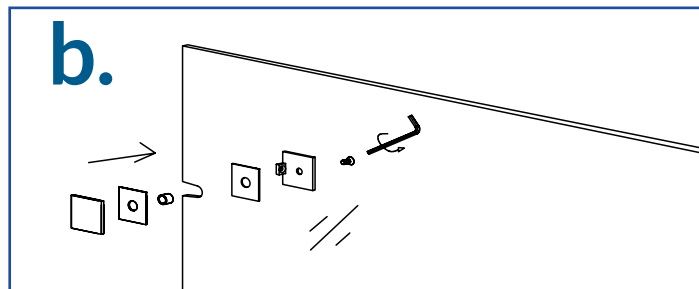
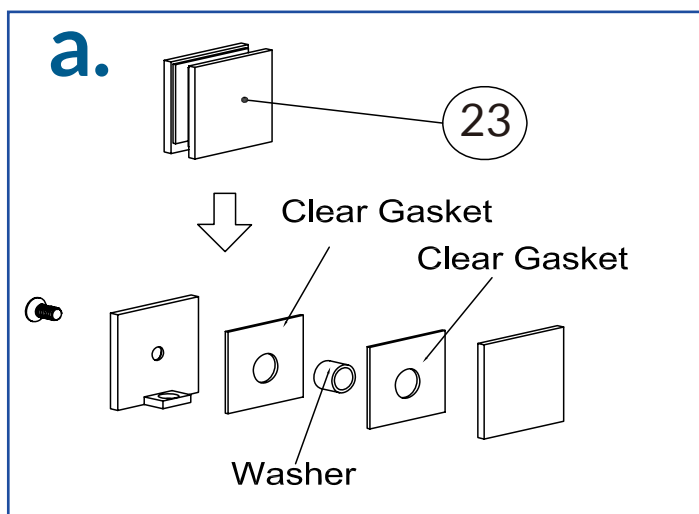


Figure 3

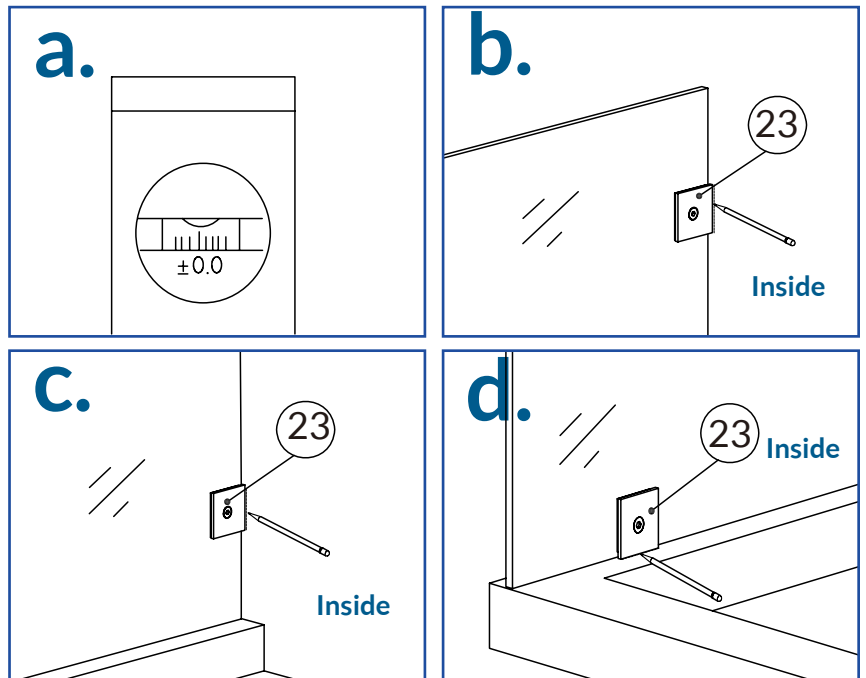
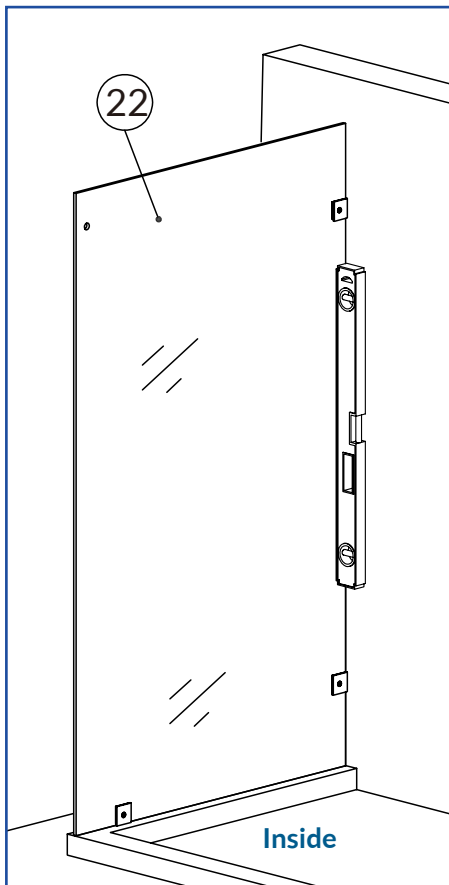


Figure 4

3.2 Put the Return Panel Assembly against the wall, level it. Outline the position of the Clamp (23) on the wall and the shower base or threshold separately.

Please see Fig 4 for details

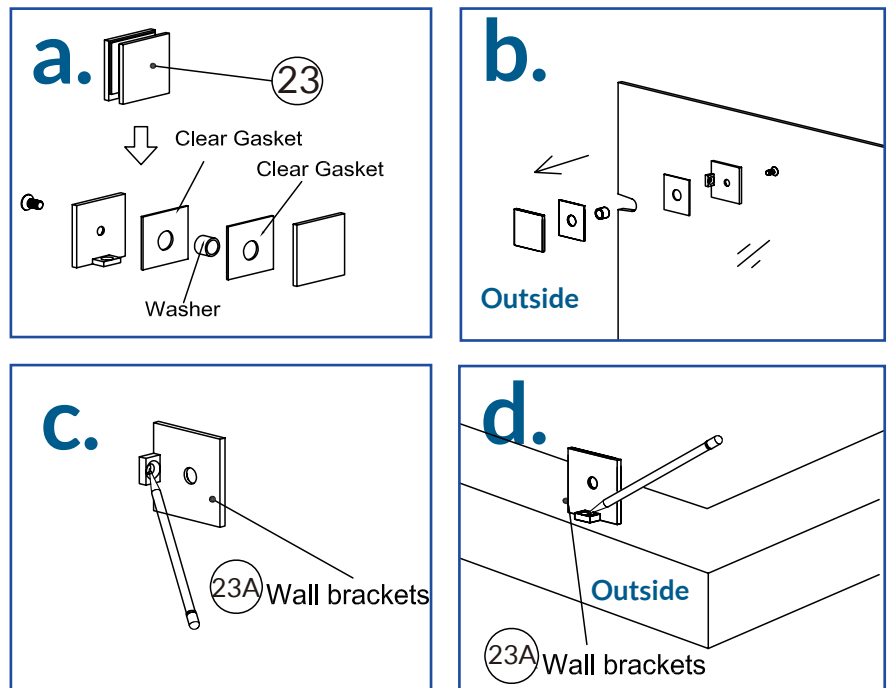
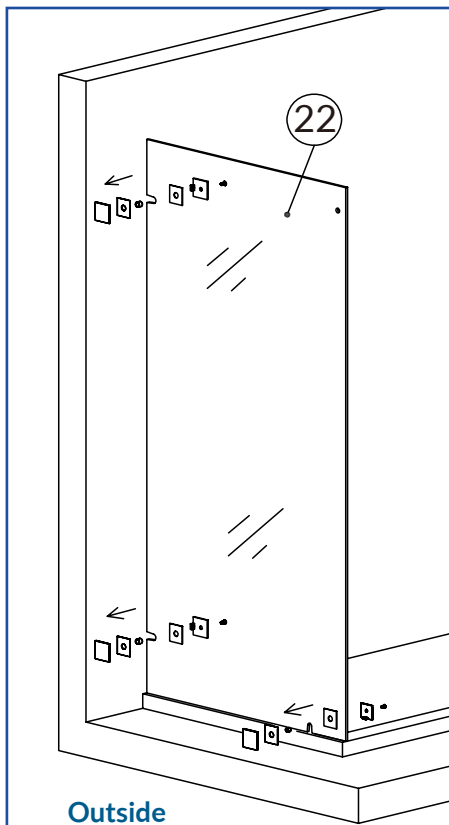


Figure 4

4. Put aside the Return Panel Assembly and remove the clamps from the glass and place the clamps back to the outlined position, now mark the drilling holes on the wall and the shower base or threshold.

Please see Fig 4 for details

5. Drill the holes in the wall using $\varnothing 8\text{mm}(\varnothing 5/16\text{'})$ drill bit and Apply silicone into the holes on the wall, insert the Wall anchors (24) for the Clamps (23). Mount the Clamps to the wall using the Philip's screw M4*60(25). Drill the hole in the shower base or threshold using $\varnothing 3.2\text{mm}(\varnothing 1/8\text{'})$ drill bit and mount the Clamp (23) to the shower base or threshold using the Philip's screw M4*30(26).

See Fig 5 for details

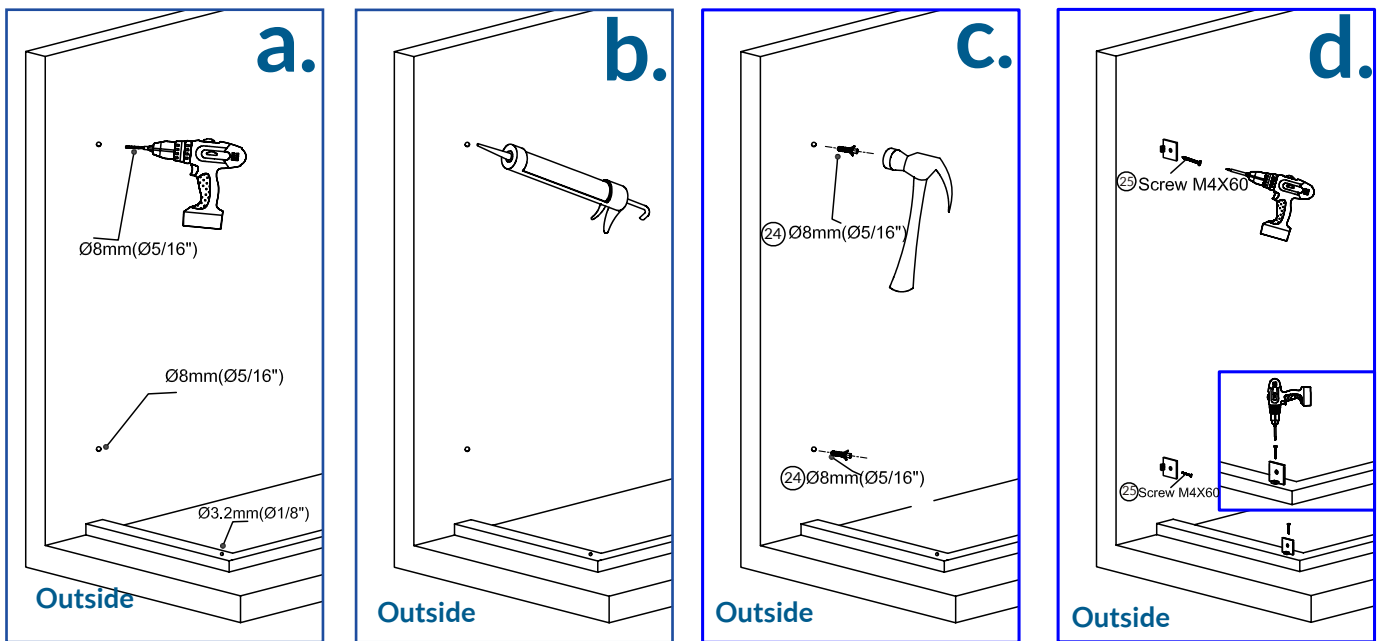


Figure 5

6 Place the Return Panel Glass (22) back to the designated position and assemble the Clamps (23).

See Fig. 6 for details.

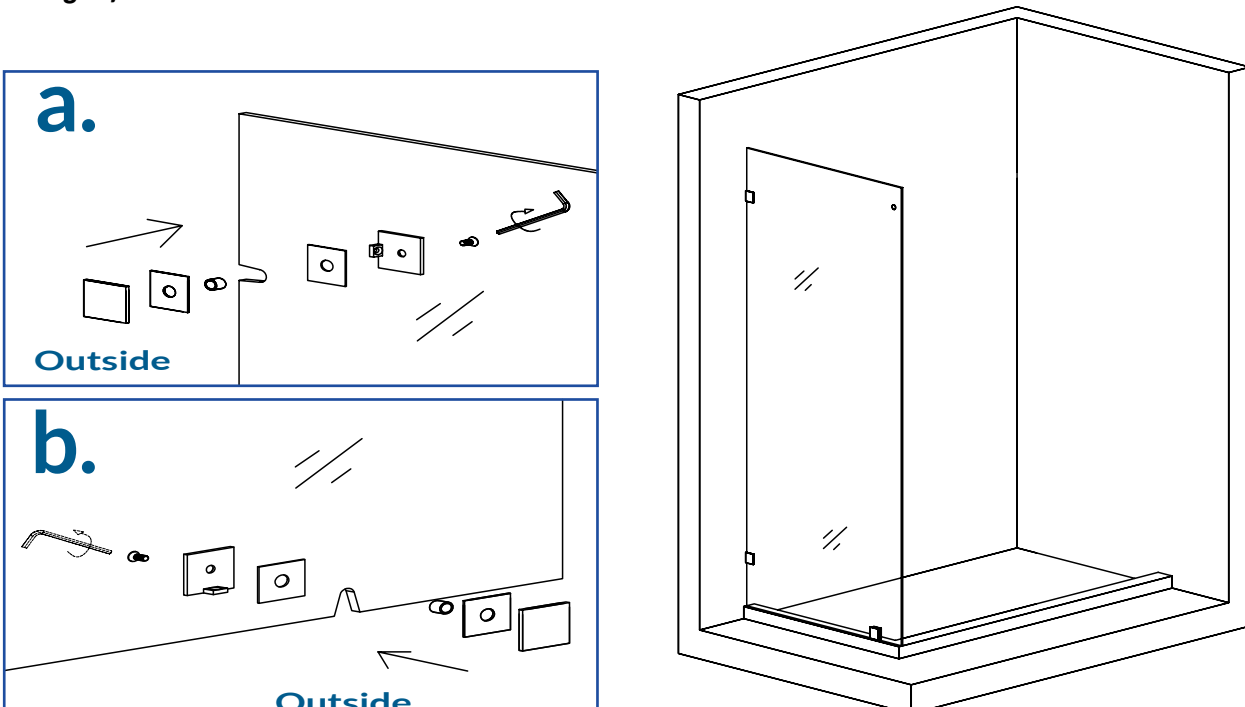


Figure 6

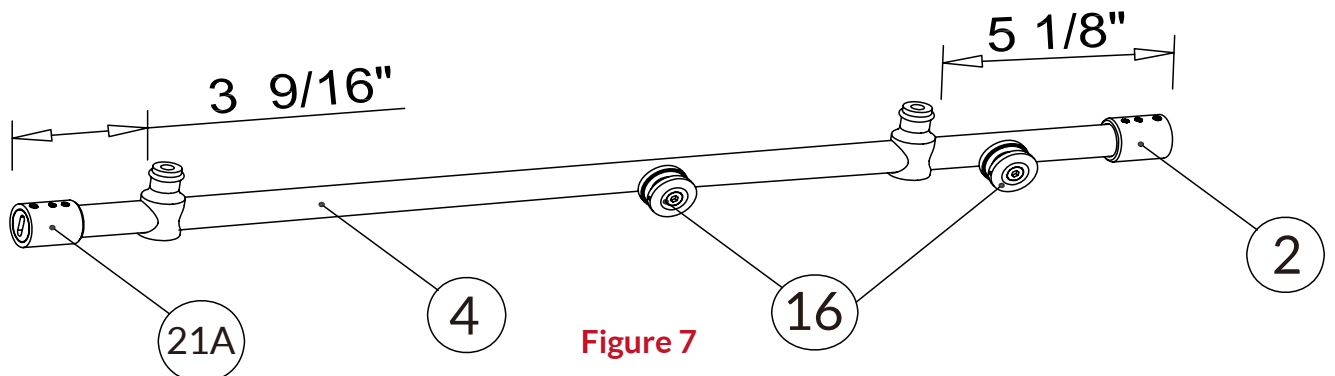
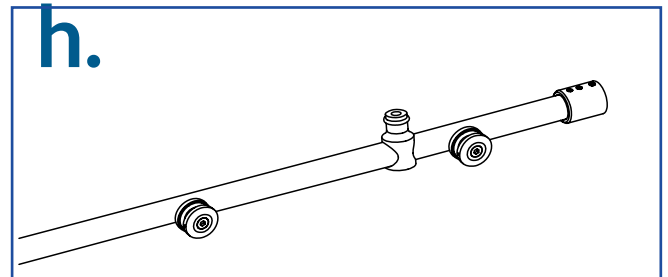
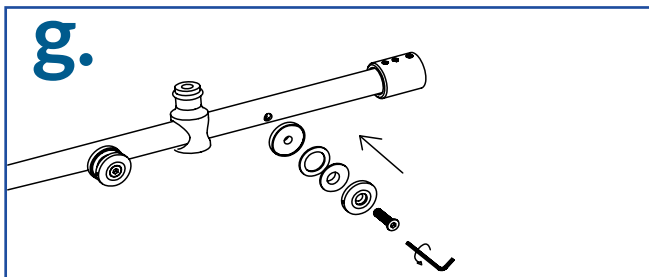
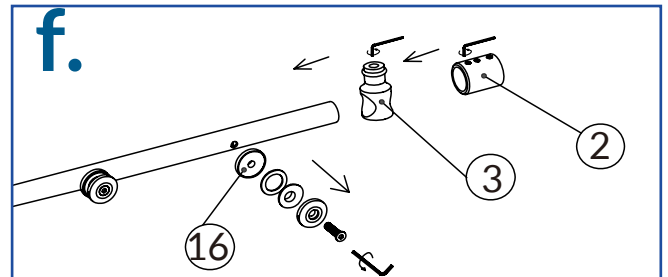
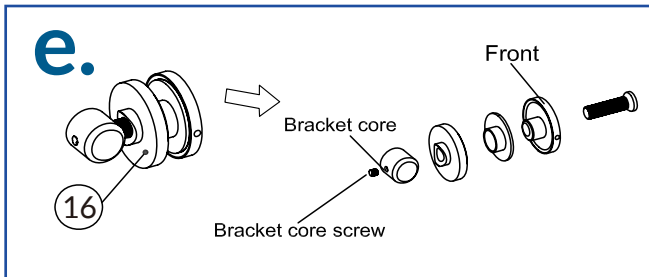
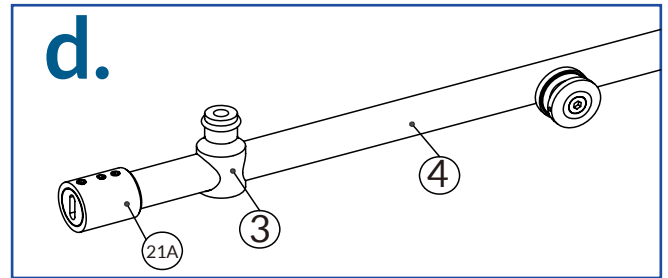
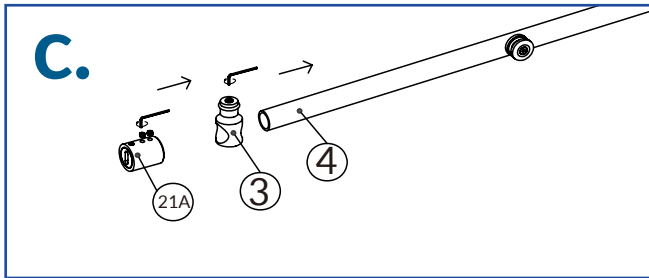
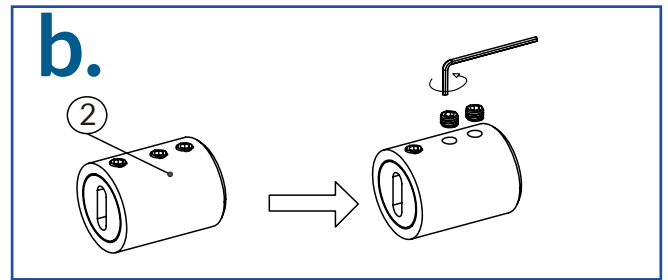
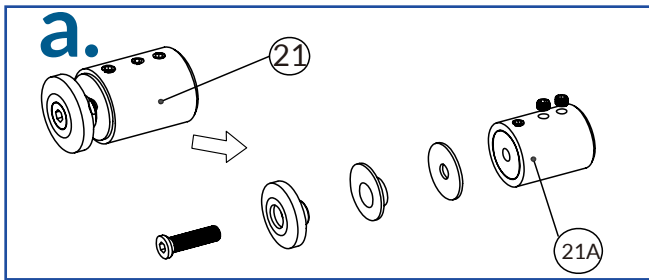


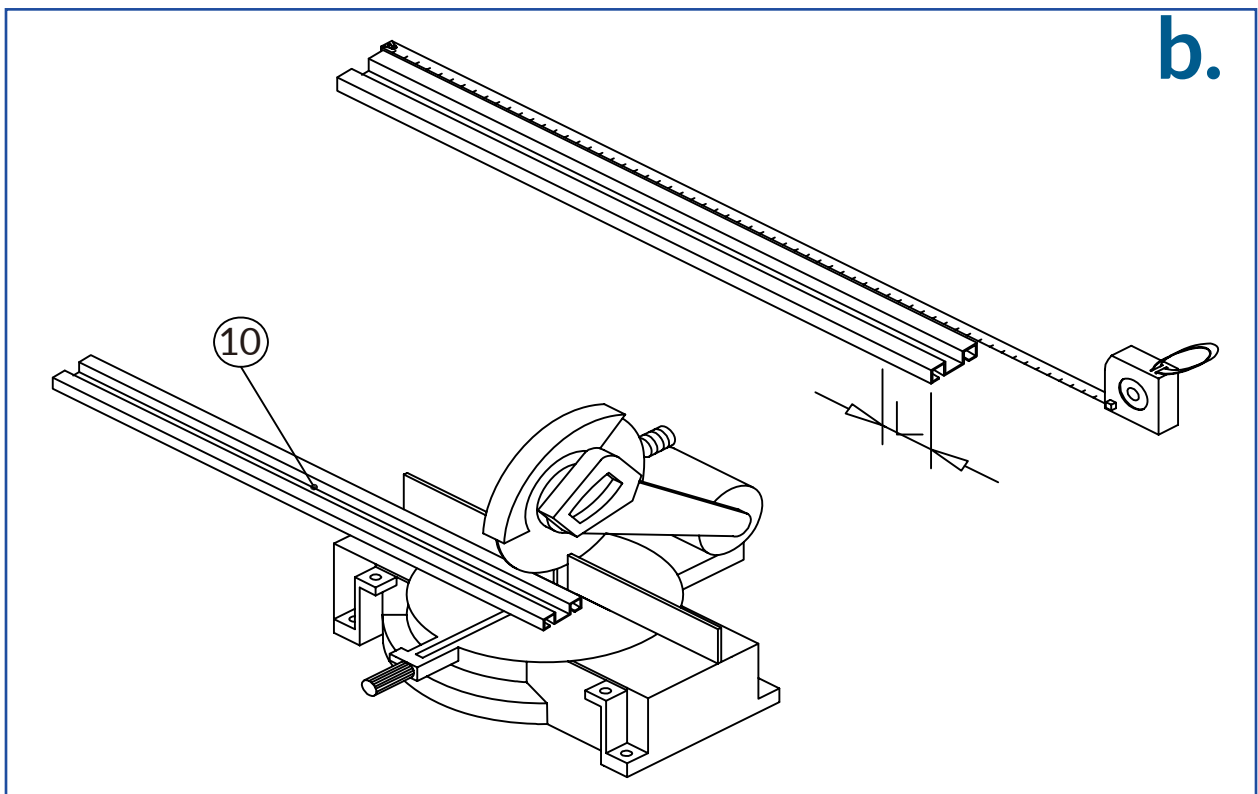
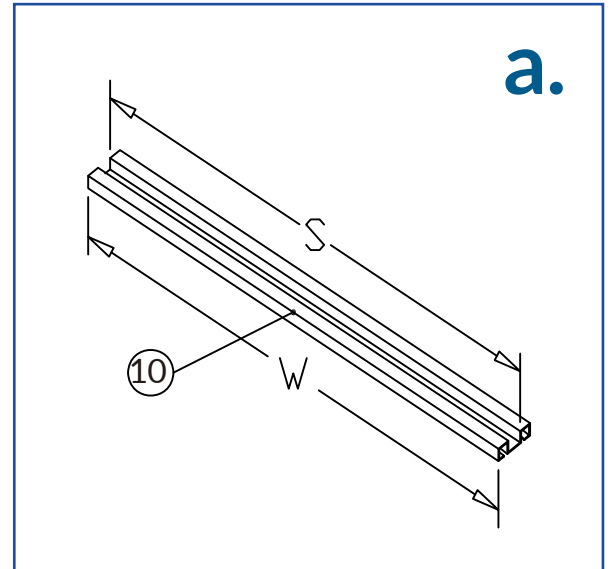
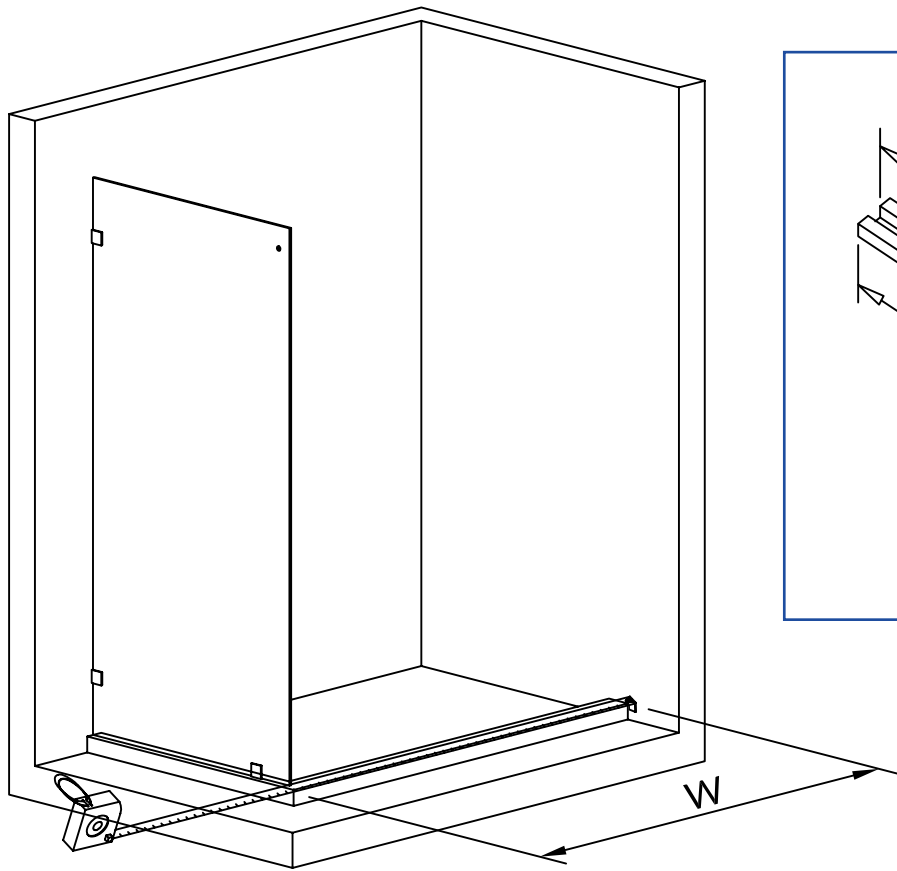
Figure 7

7. Roller Bar Installation

7.1 Use the Allen Keys (17) to loosen the screws on the Guide Rail Brackets (2) and the Glass Door Stoppers (3). Slide the parts onto the Upper Guide Rail (4).

Note: On the other side, the stopper must be installed in between the Glass Bracket (2). Loosen the screw on the Glass Bracket and take out the Glass Bracket from the Guide Rail, and slide the stopper onto the Guide Rail and then secure the Glass Bracket to the Guide Rail again. Make sure the two Stoppers distance to the end of the Guide Rail and then use the Allen Key (17) to tighten the parts to the Guide Rail temporarily.

Please see Fig 7 for details



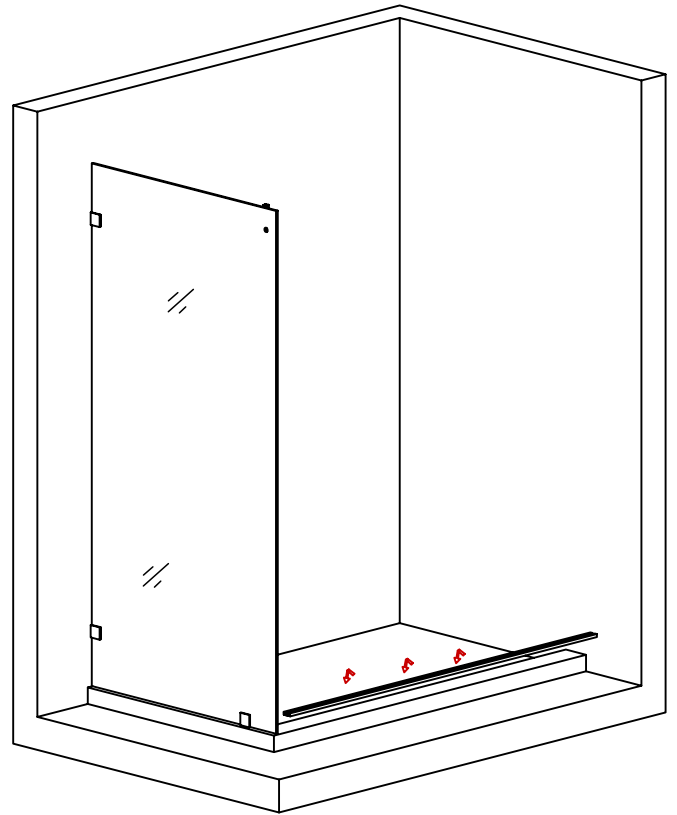
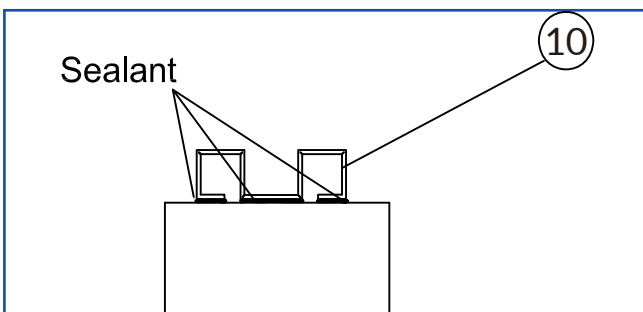
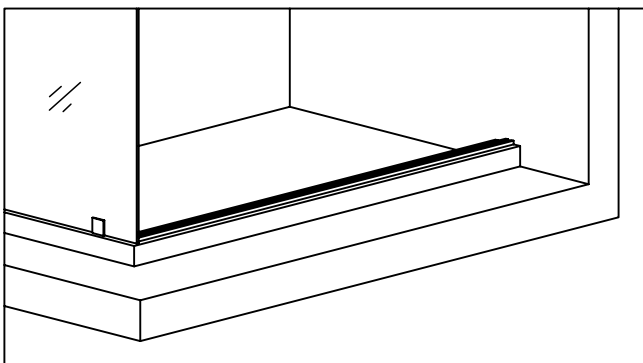
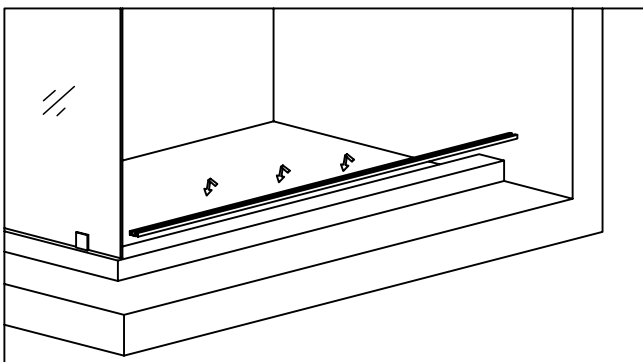
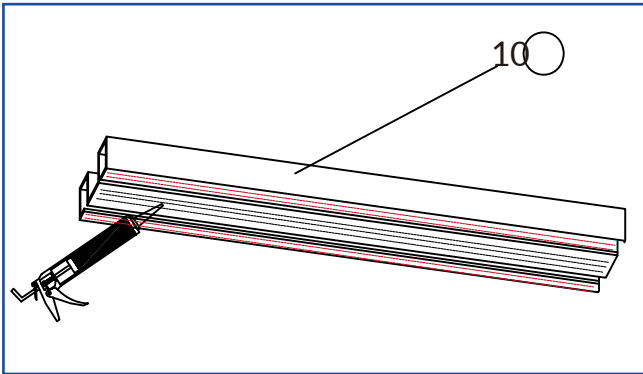


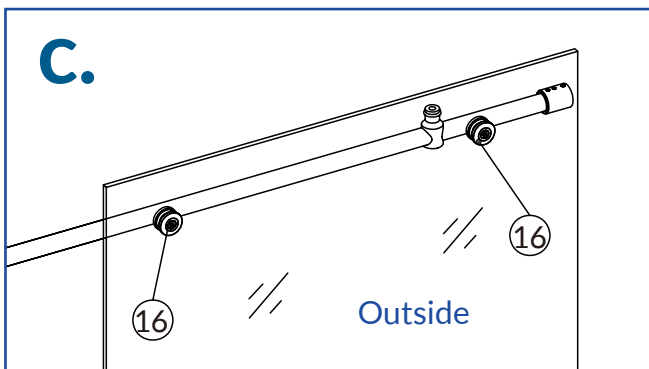
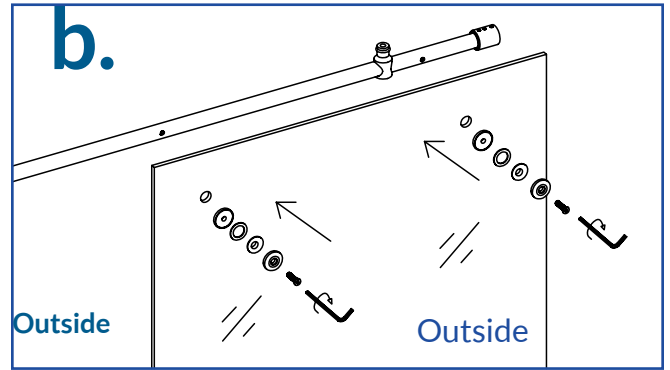
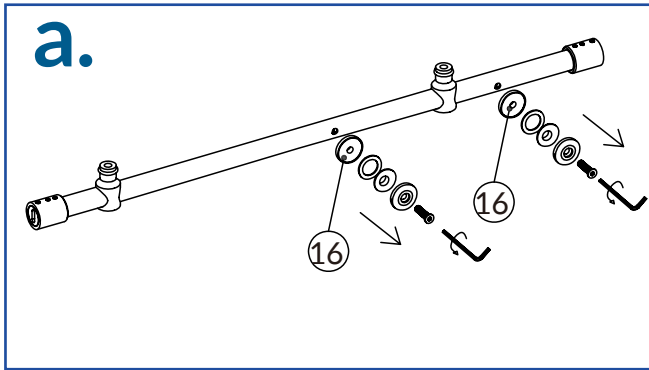
Figure 8

8. Install Threshold

8.1 Apply silicone on the bottom of the Threshold (10) along the center line.

8.2 Place the Threshold onto the designated position parallel to the back wall.

Please see Fig 3 for details



9 Loosen the screw on the Guide Rail Bracket (2) with Allen Key (17), align the holes of the Brackets(18) to the holes on the Stationary Glass (14), secure the Upper Guide Rail (4) with the Stationary Glass together by tightening the screws on the Guide Rail Bracket with Allen Key(17).

Please see Fig 10 for details.

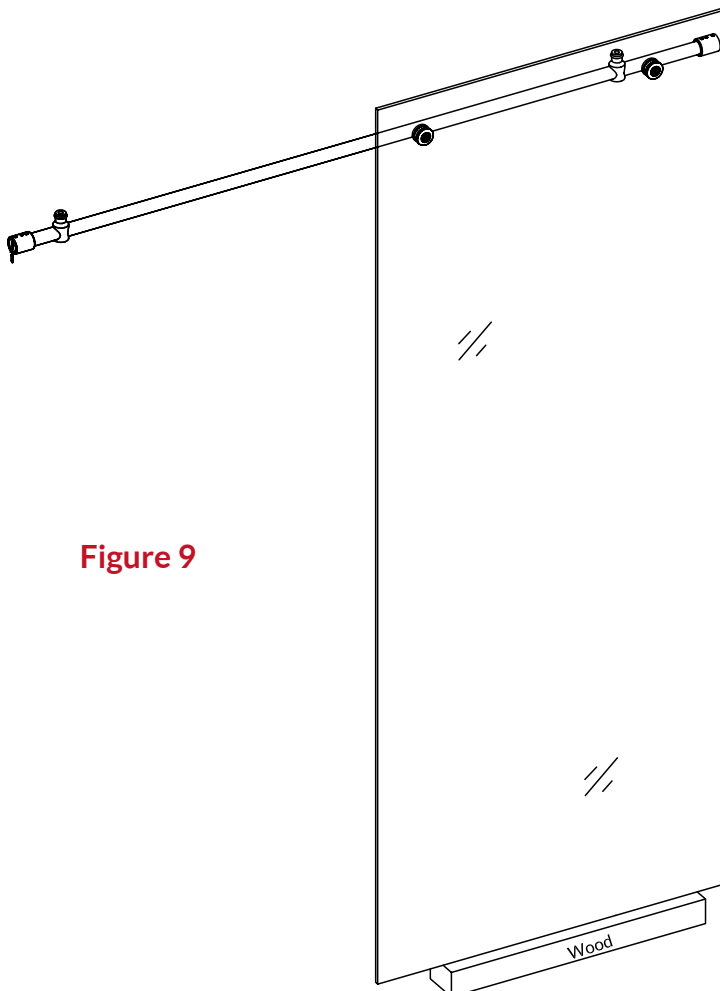


Figure 9

ATTENTION:

Never set your glass down directly onto a tile or concrete floor. Always use a piece of wood or cardboard and leave the corner protection cover on the glass until it becomes necessary to remove them to protect the bottom edge and the corners of the glass from breakage.

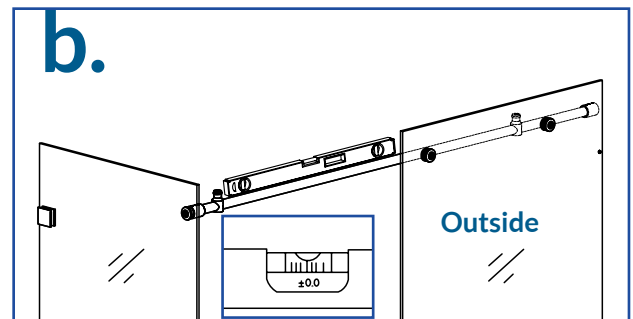
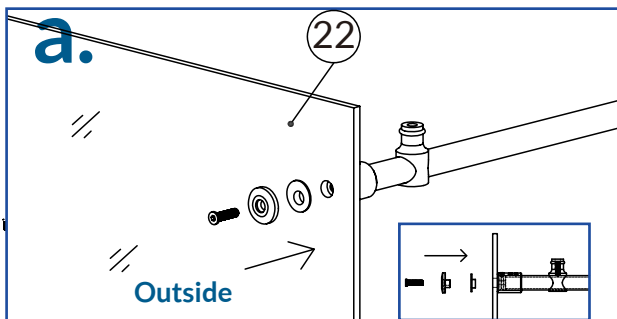
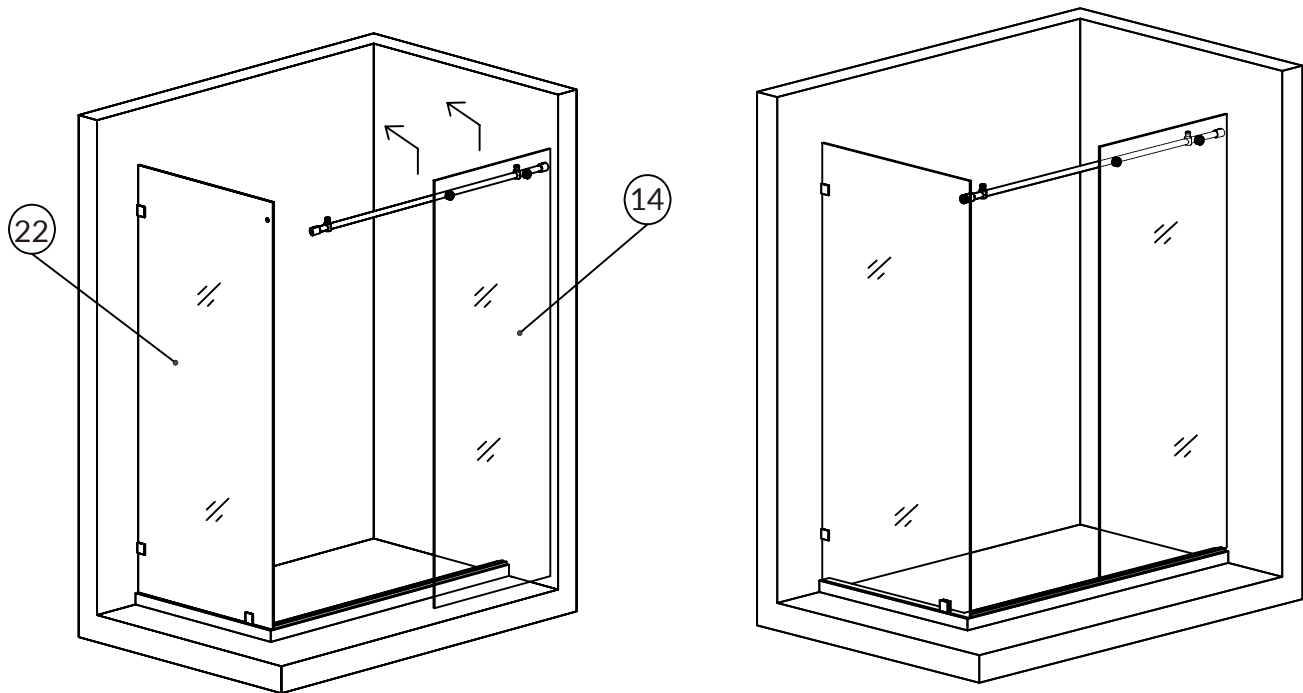


Figure 10

10. Place the Stationary Glass Assembly on the preinstalled shower base or threshold and butt it up against the wall. Temporarily fasten the Upper Guide Rail (4) to the Return Panel Glass(22) with the Glass Connector (21). Slightly tighten the set screws.

Make sure the Stationary Glass (14) and the Upper Guide Rail (4) are leveled. Slide the Guide Rail Bracket (2) against the wall, outline the Guide Rail Brackets (2) position on the wall.

Outline the position of the Bottom Mount Clamp (23) on the shower base.

Disassemble the Upper Guide Rail from the Return Panel Glass, set the Stationary Glass Assembly aside.

Remove the Guide Rail Bracket from the Stationary Glass and place it back to the outlined position, now mark the drilling hole on the wall.

Remove the Clamp on the Stationary Glass and place it back to the outlined position on the shower base or threshold, now mark the drill hole on the shower base or threshold.

Please see Fig 10 ,11 for details.

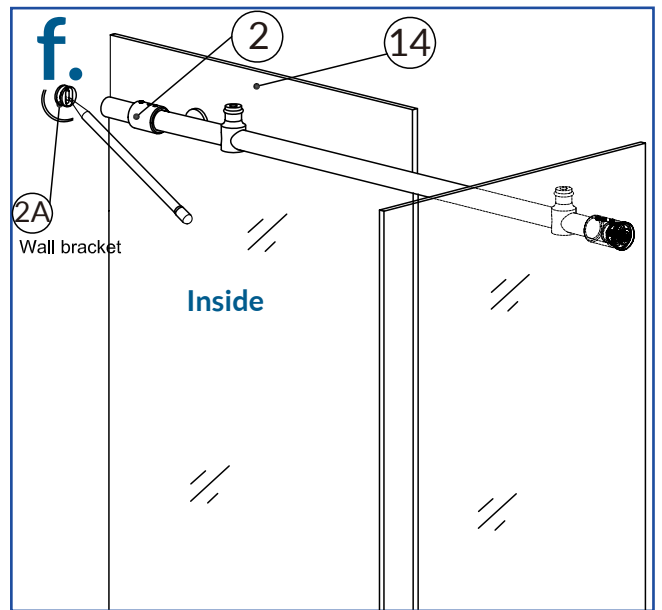
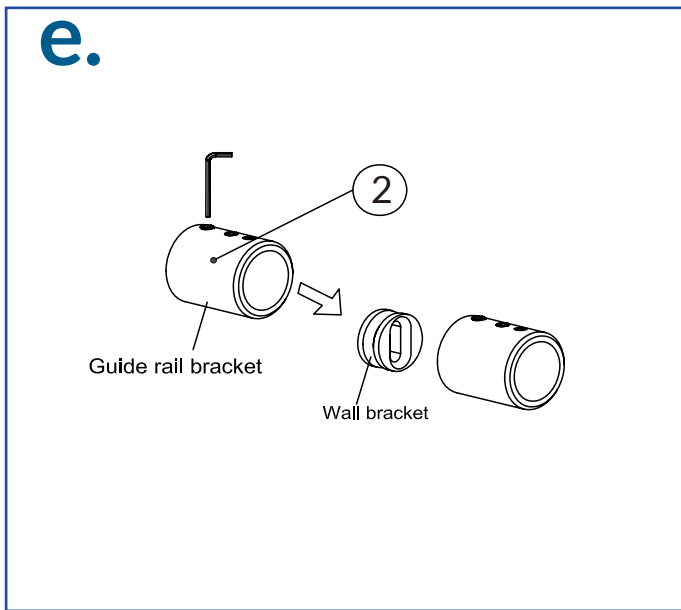
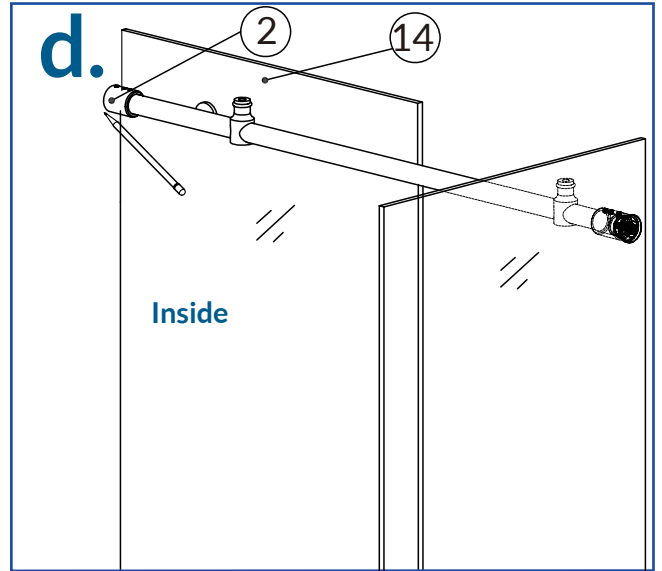
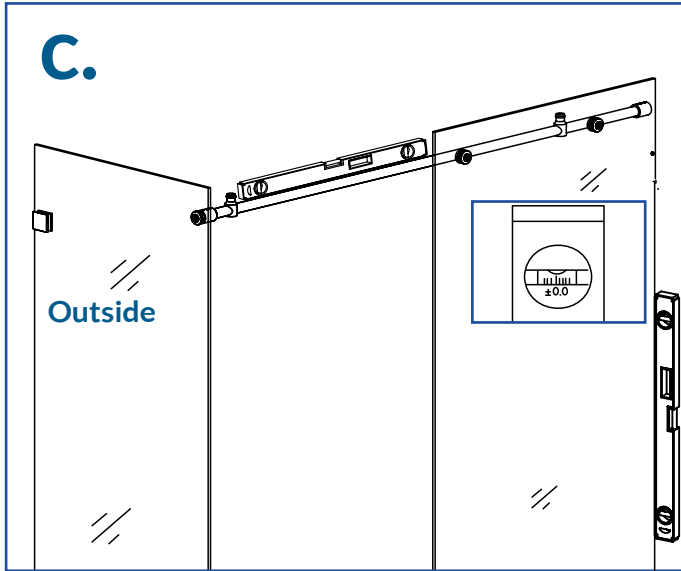


Figure 11

11. Drill the hole on the wall using 8mm(5/16") drill bit and apply silicone into the holes, insert the Wall Anchor (13).
 Drill the hole on the shower tray or threshold using 3.2mm(1/8") drill bit and apply silicone into the holes, insert the Wall Anchors (13).
 Mount the Wall Bracket of the Guide Rail Bracket (2) to the wall using the Screw M5×60 (15)..

Please see Fig 13 for details

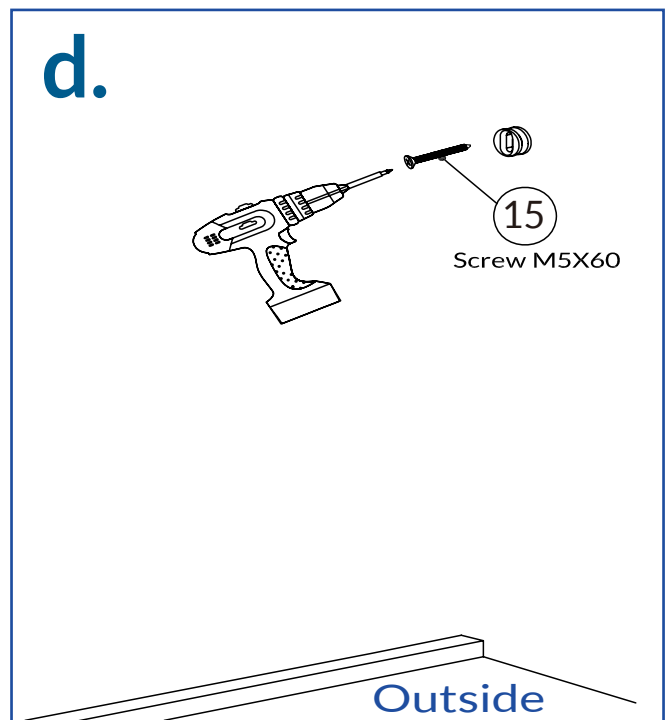
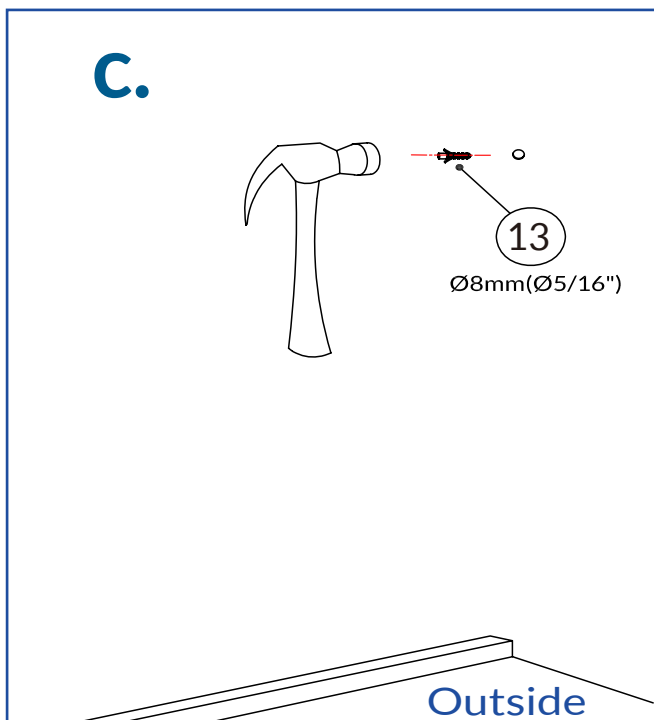
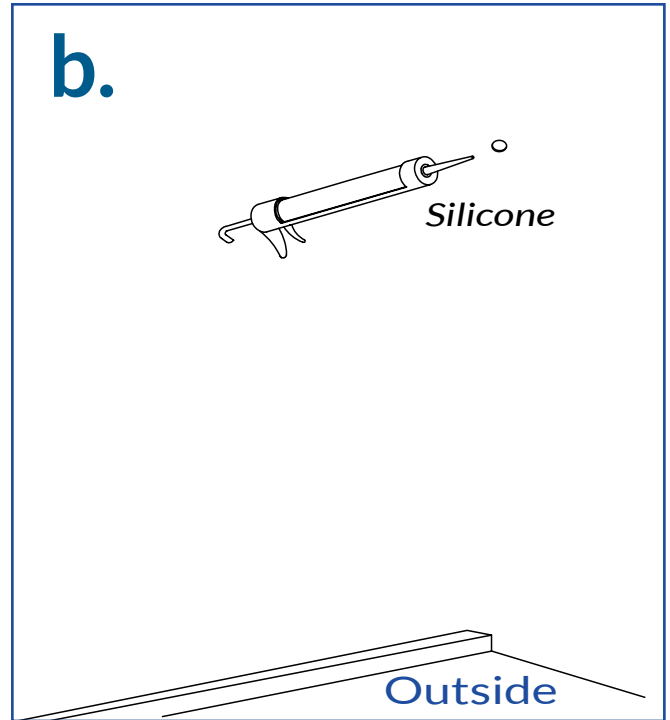
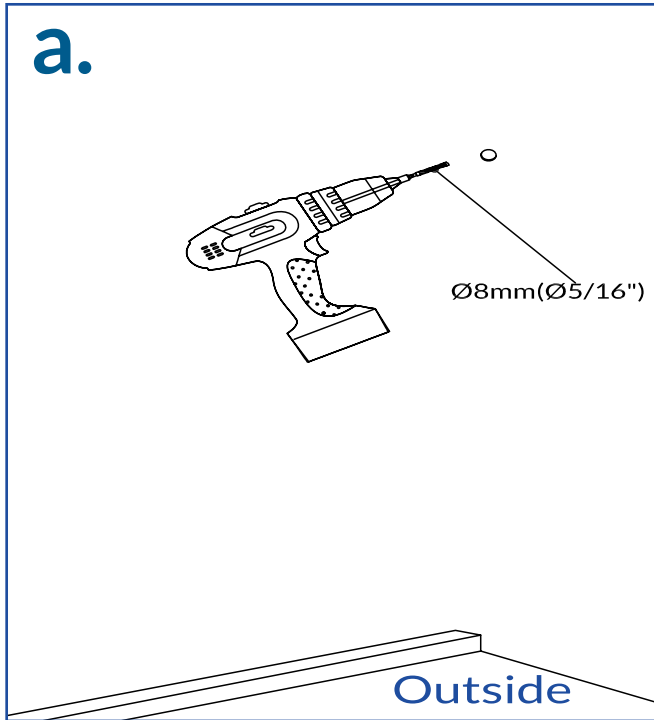


Figure 12

12. Place the Stationary Glass Assembly back to the designated position.
Slide the Guide Rail Bracket (2) to the end side of the Guide Rail(4), fasten the Guide rail bracket (2) to the wall bracket on the wall. Tighten the set screws on the Guide rail brackets.
Re-install the Glass Connector (21) to fasten the Return Panel Glass (22) and Upper Guide Rail (4) together.

Please see Fig 14 for details

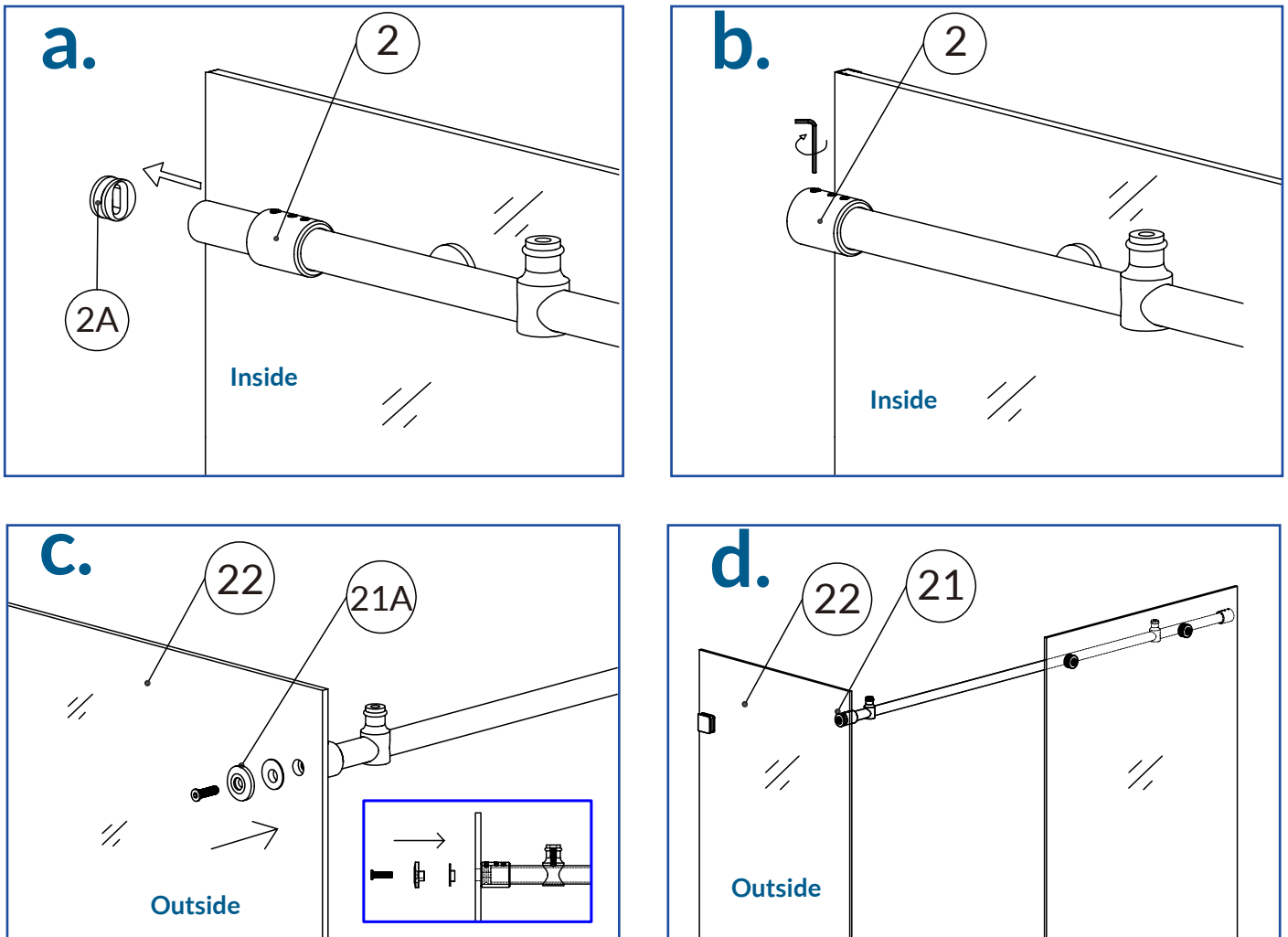
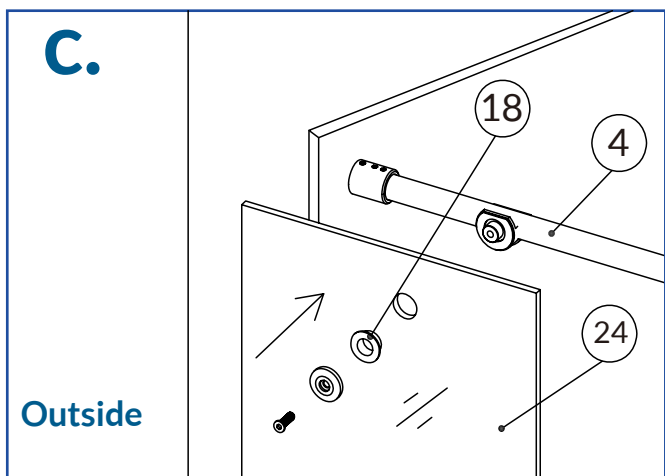
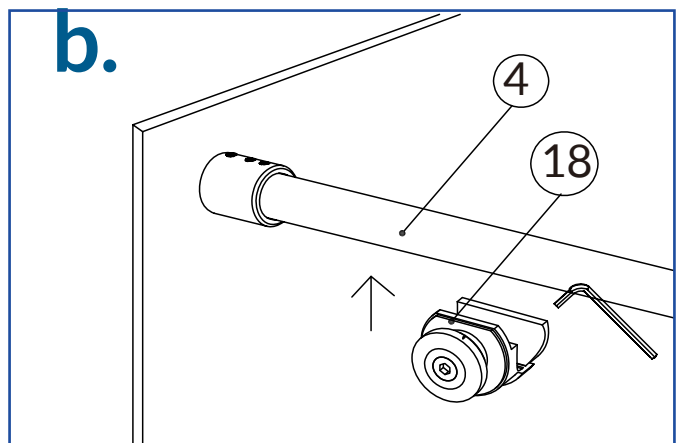
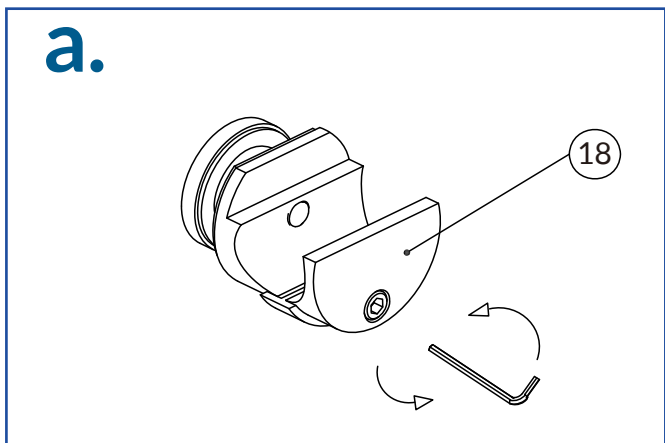
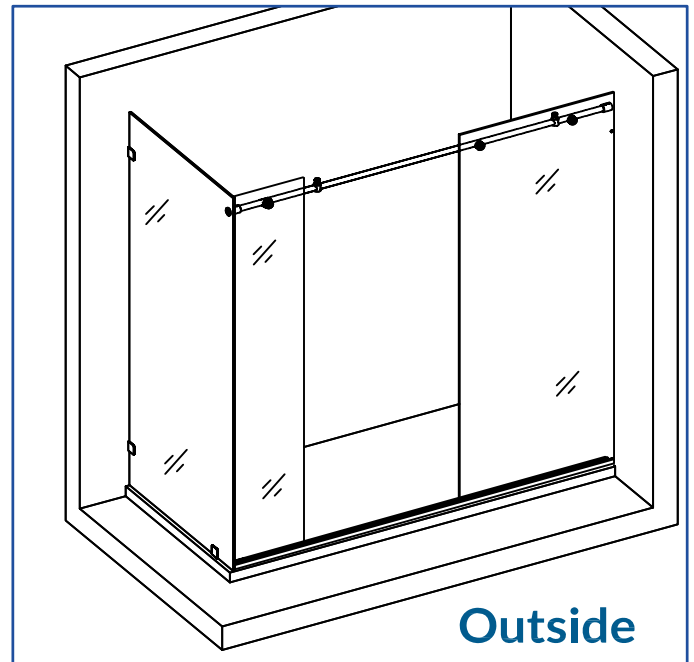
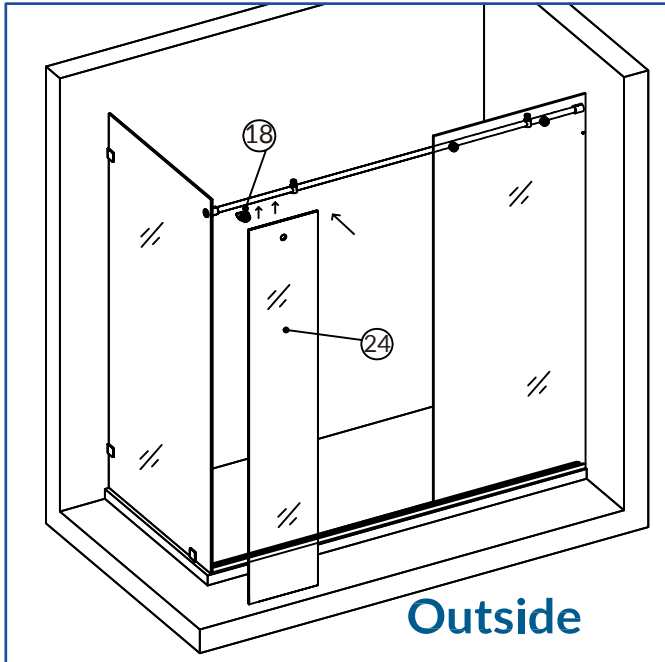


Figure 13

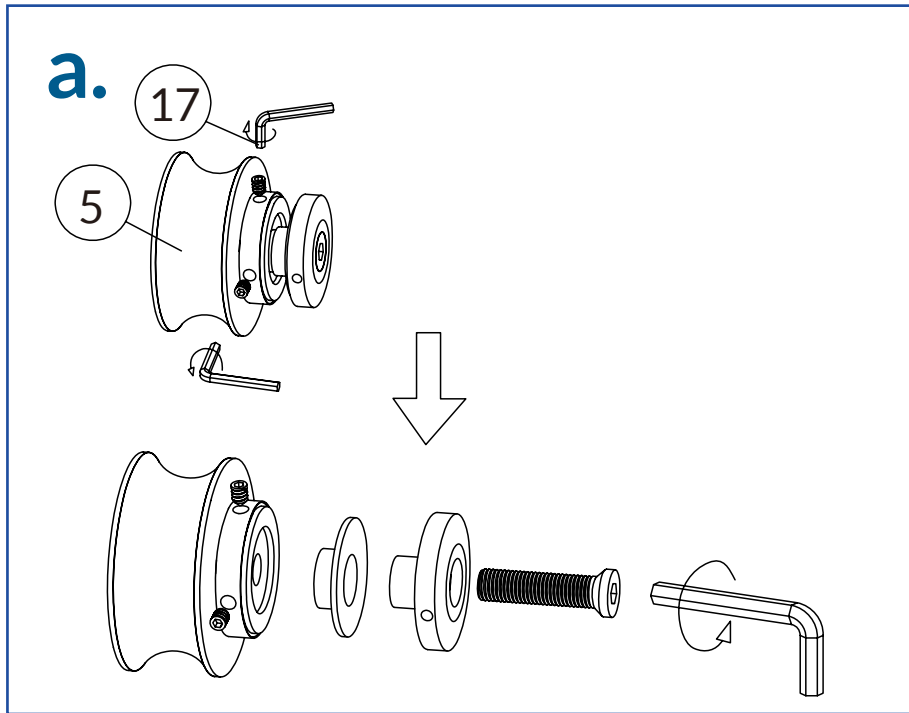


STYLE
B

13 Install the glass bracket for the Small Stationary Glass (21) to the Upper Guide Rail (4), install the Small Stationary Glass (24) to the guide rail. Outline the position of the wall clamp on the shower base and threshold.

Please see Fig 16 for details

Figure 14



Attention: Need to loosen the small allen screws before loosening the long allen screw on the roller

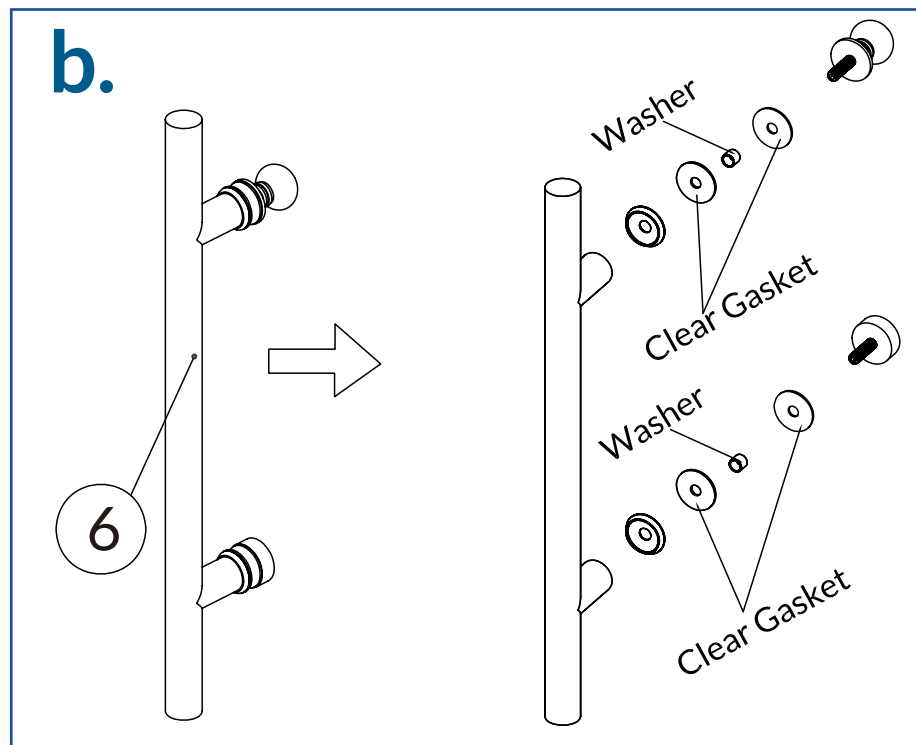


Figure 15

IMPORTANT: When installing the rollers and handle to the glass door, make sure that clear rubber gaskets are in between the Glass Door (7) and the related hardware. Tighten the knob and cap on the handle by hand only. Do not use any types of tools to tighten it. Tighten the screws on the roller with related size of Allen Keys (17) only.

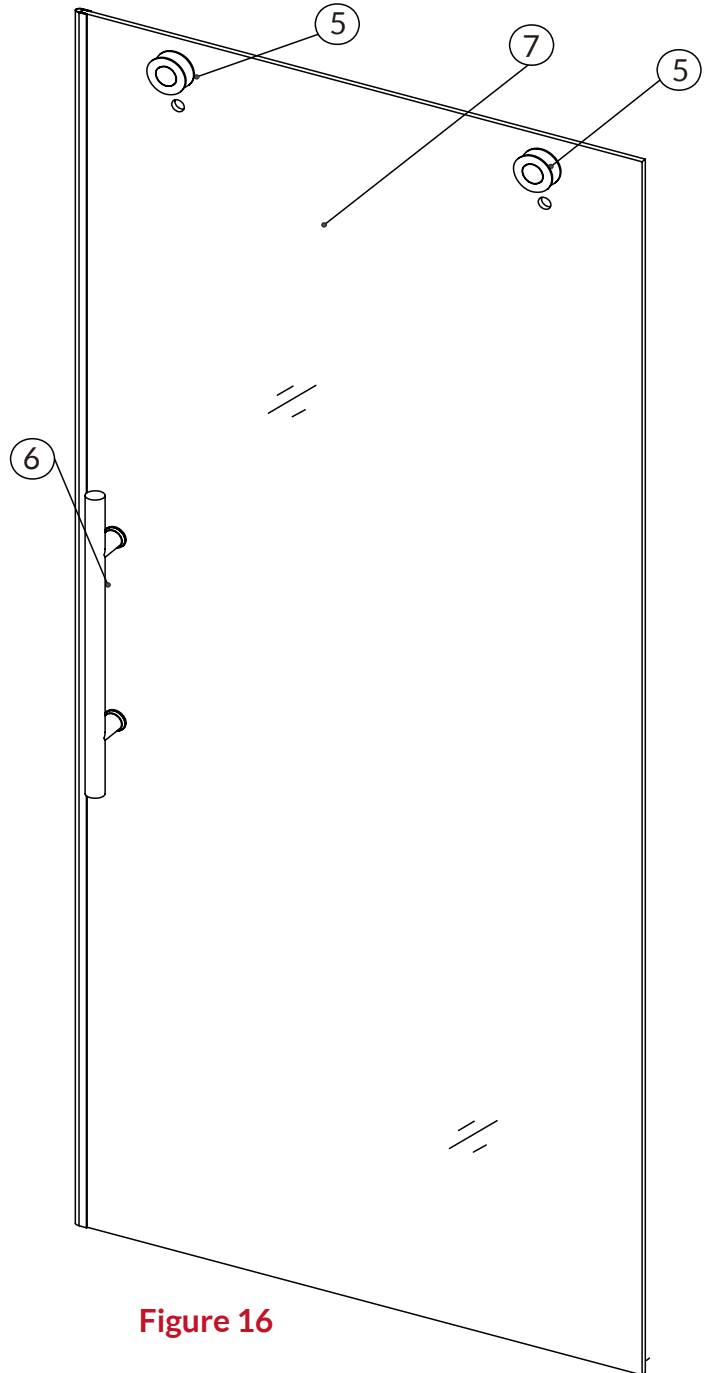
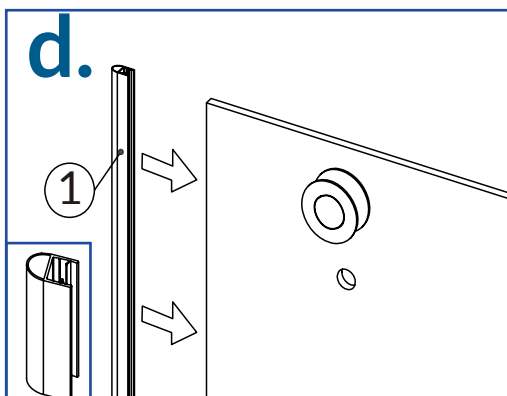
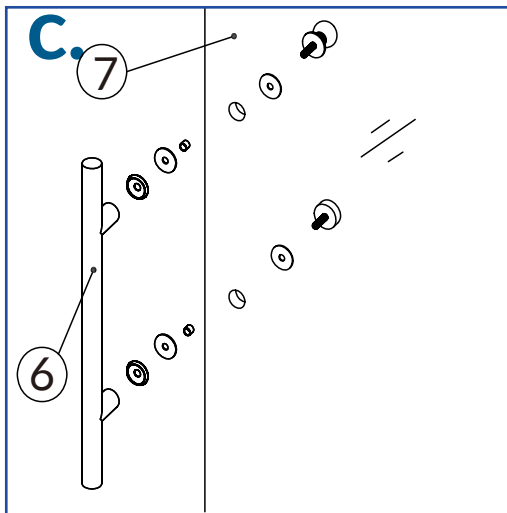
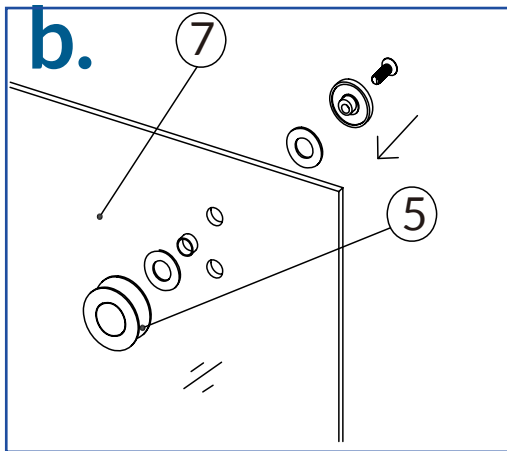
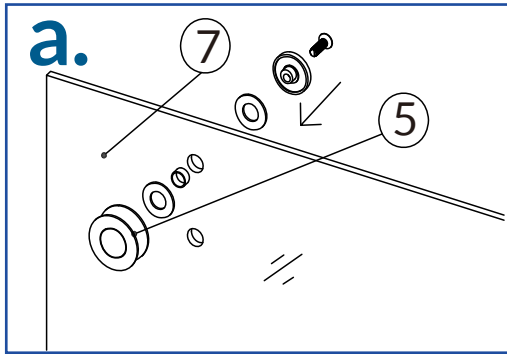


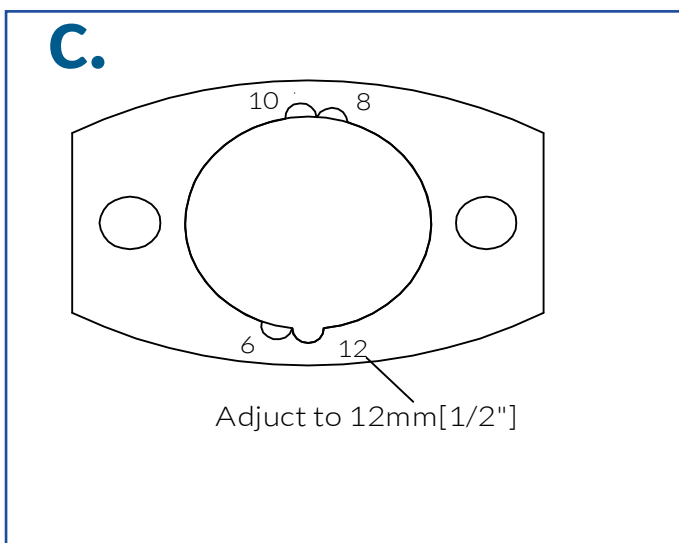
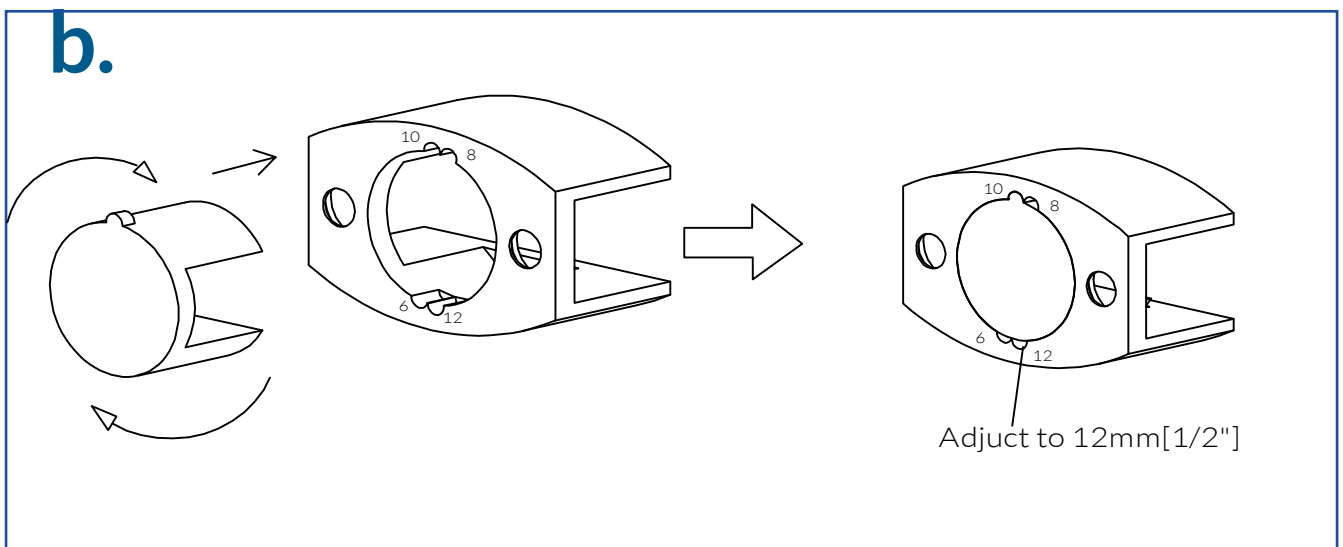
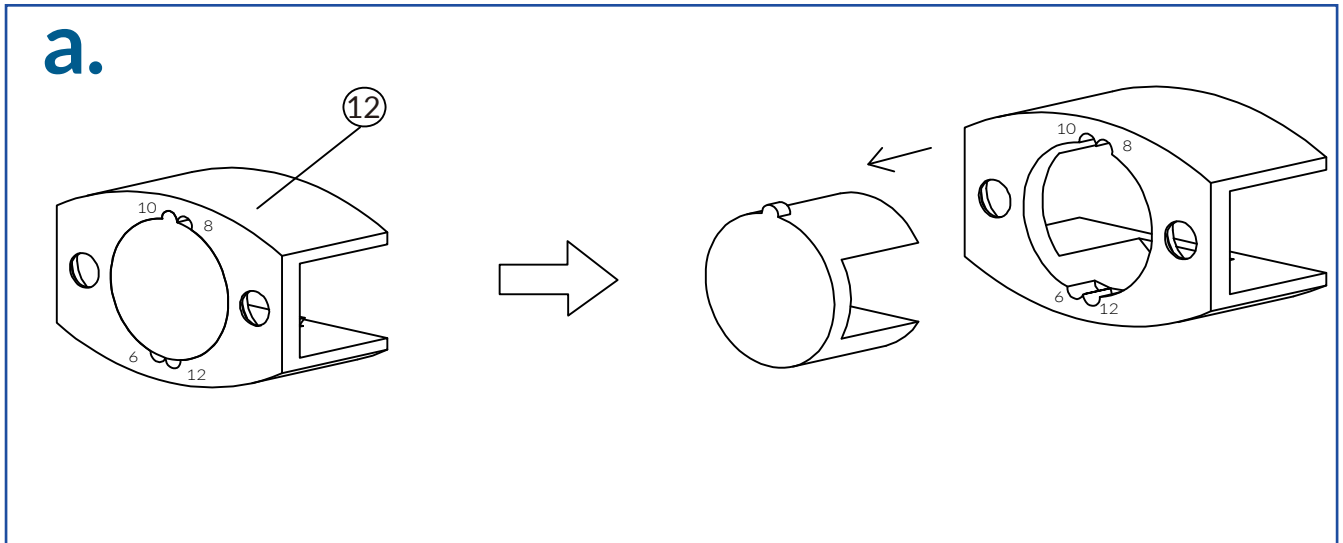
Figure 16



14. Loosen the Rollers (5) screw and Install the Rollers to the Glass Door (7). And then Install Handle (6) to the Glass Door . At last Install the Bumper Strip(1) to the Glass Door(7).

Please see Fig 19 for details

REMARK: For style B, there will be no bumper strip installation step.



15. The Guide Block (12) can work with 4 types of glass thickness, 1/4", 5/16", 3/8" and 1/2". Usually the Guide Block is pre-adjusted to the thickness of the glass, but it is necessary to check the slot thickness before installing and adjust the guide block slot to suite the glass thickness.

See Figure 17 for details.

Figure 17

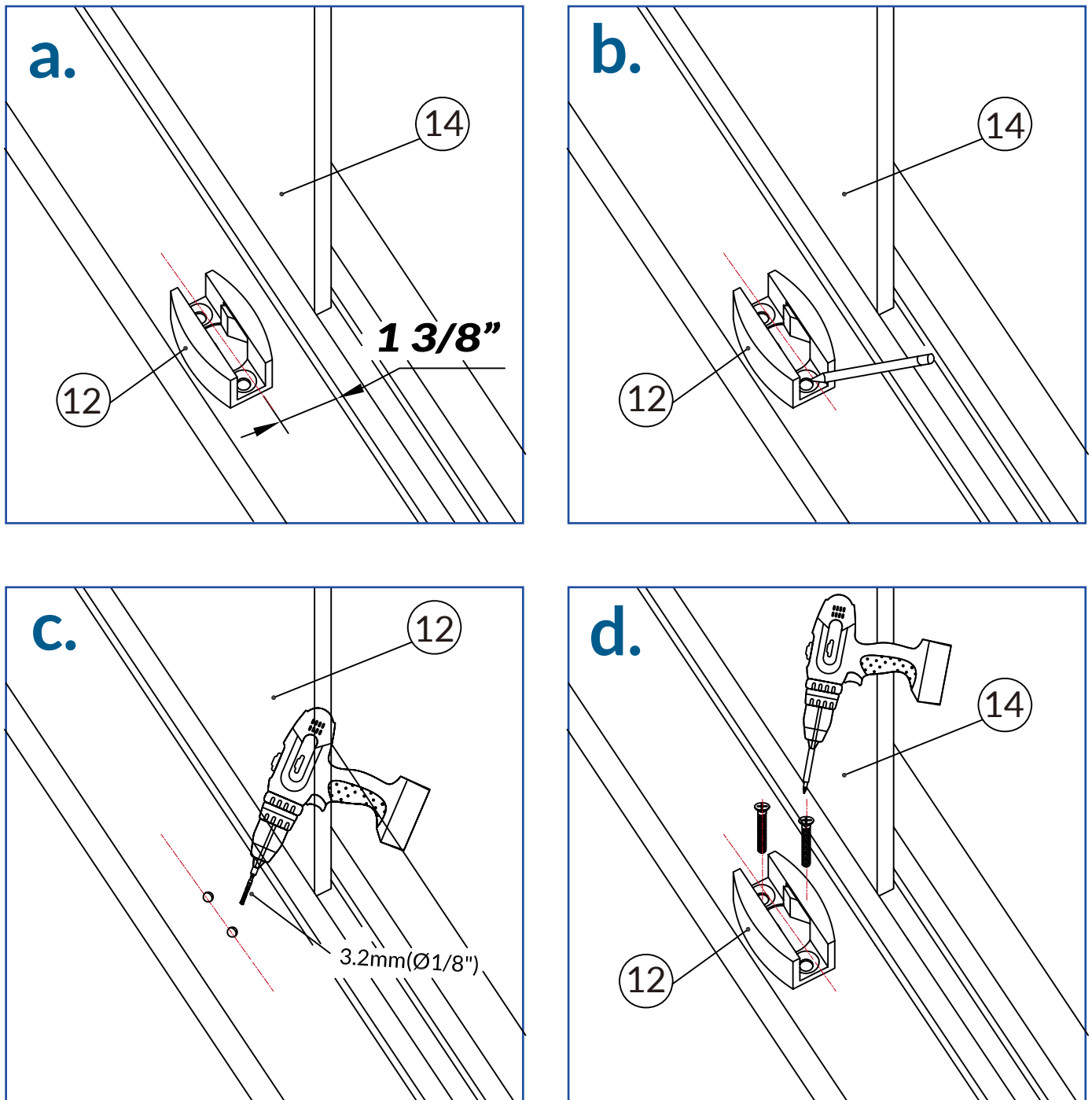
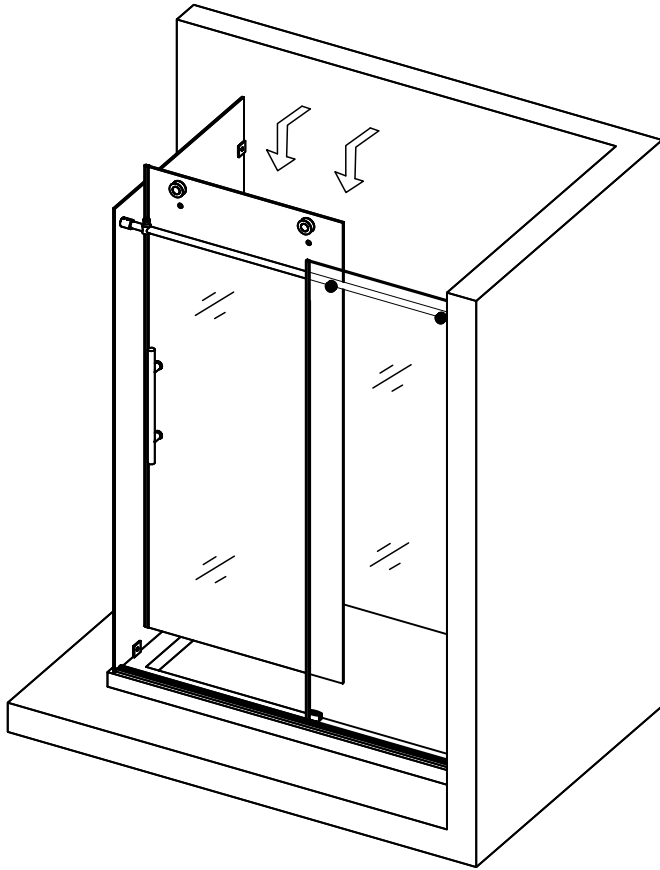


Figure 18

16. Put the Guide Block(9) to the designated position. Now drill the hole with drill bit 3.2mm(Ø1/8"), insert the wall anchor (13). Now fix the Guide Block to the Shower Base or Threshold with M5X30 screw (11).

Please see Fig 18 for details

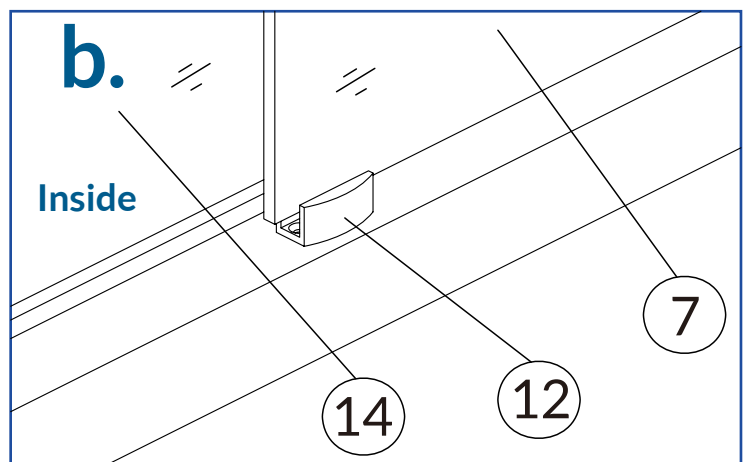
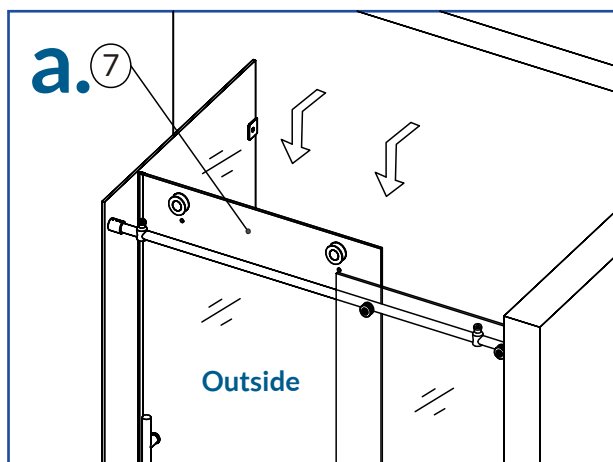


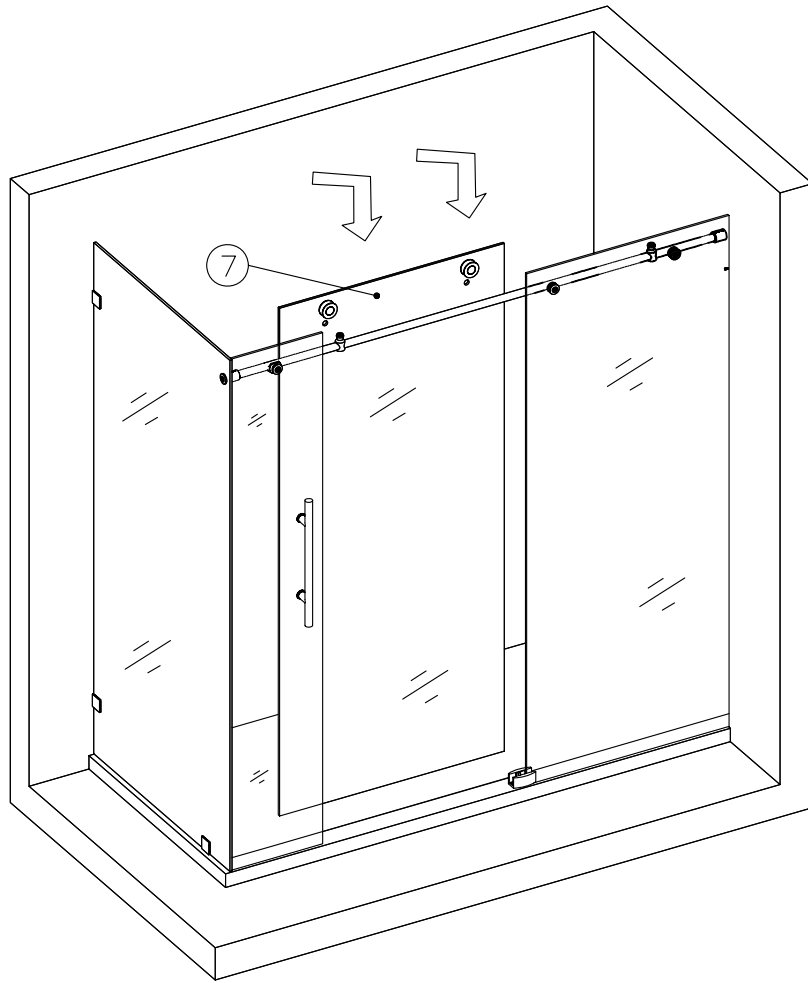
STYLE
A

17. Hang the Glass Door Assembly to the Upper Guide Rail (4), put the bottom edge of the glass door to the slot of the Guide Block (12). Make sure that the Glass Door (6) door will not touch the metal part of the Guide block.

See Figure 19 for details.

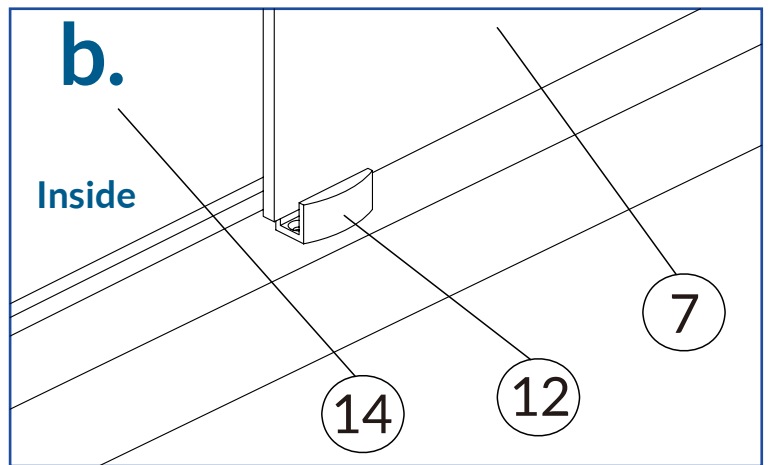
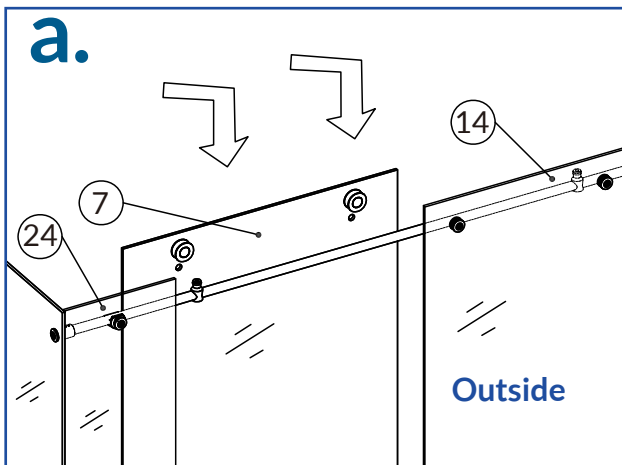
Figure 19





REMARK: For style B installation, please refer to Figure 20.

Figure 20



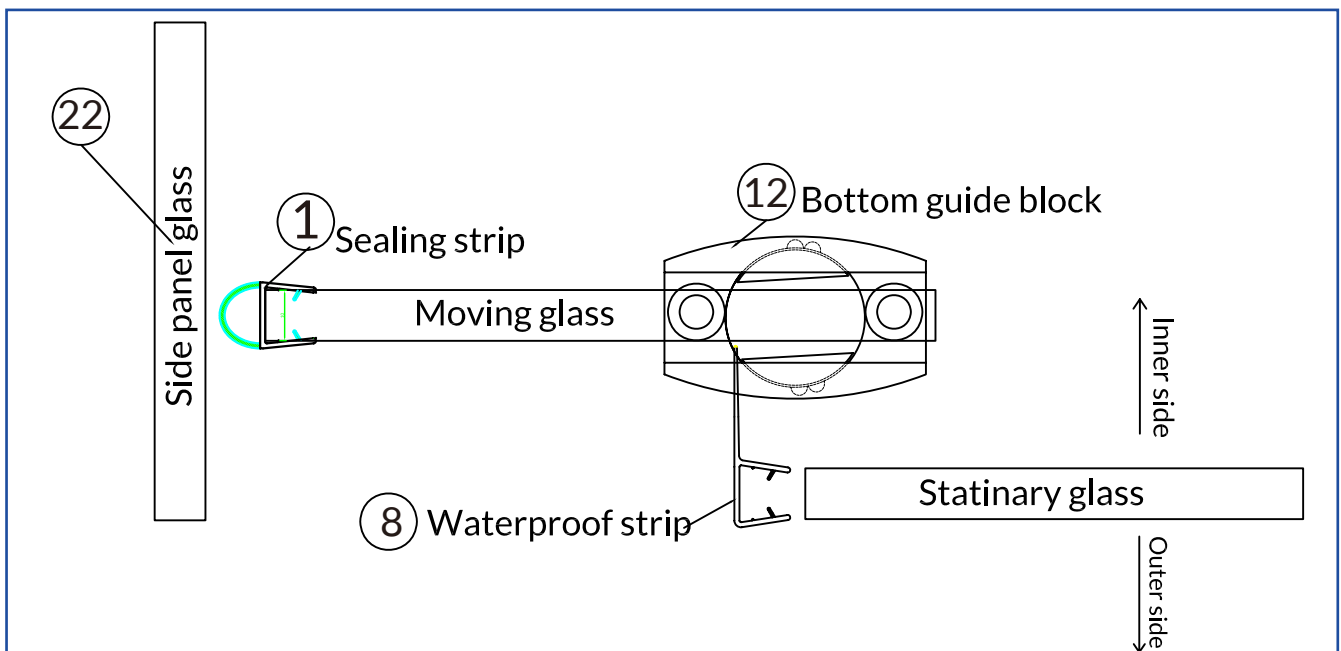
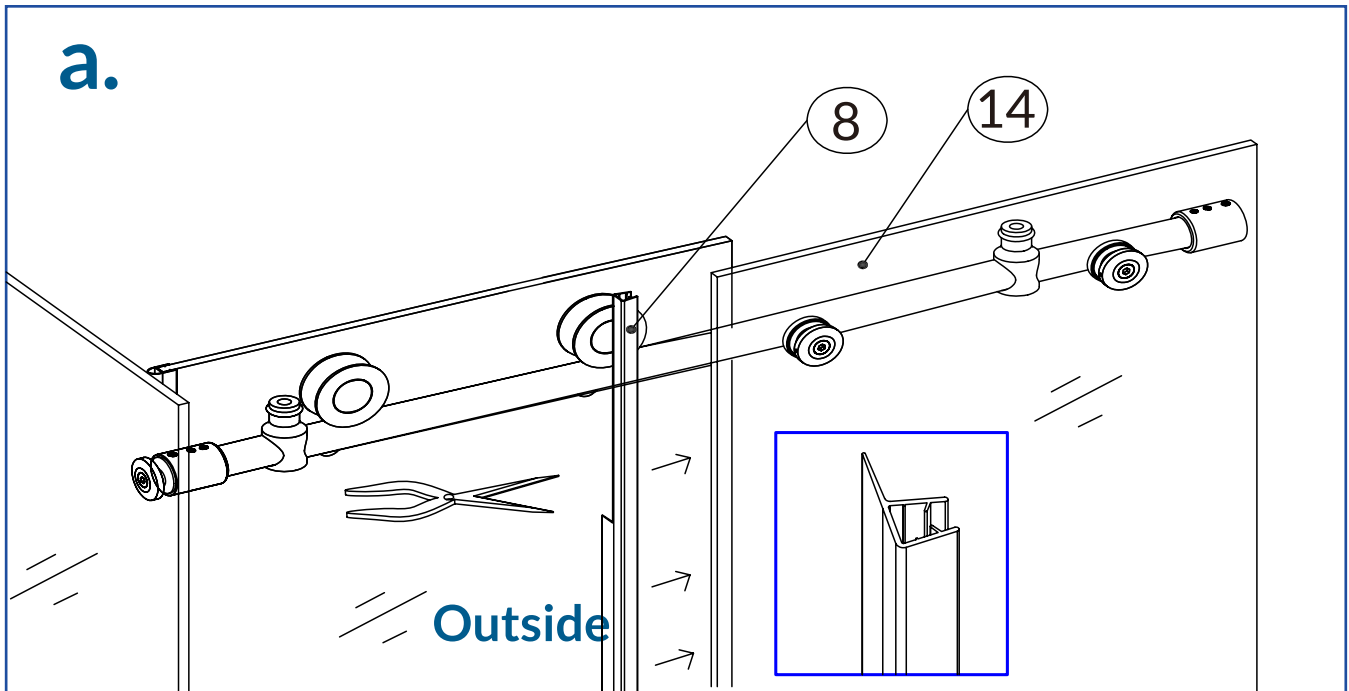


Figure 21 (for style A only)



18. Slide the Side Anti-Aater Atrip (8) to the Stationary Glass (14), remove the flapper that interfere with the Upper Guide Rail (4) with scissors.

See Figure 21 for details.

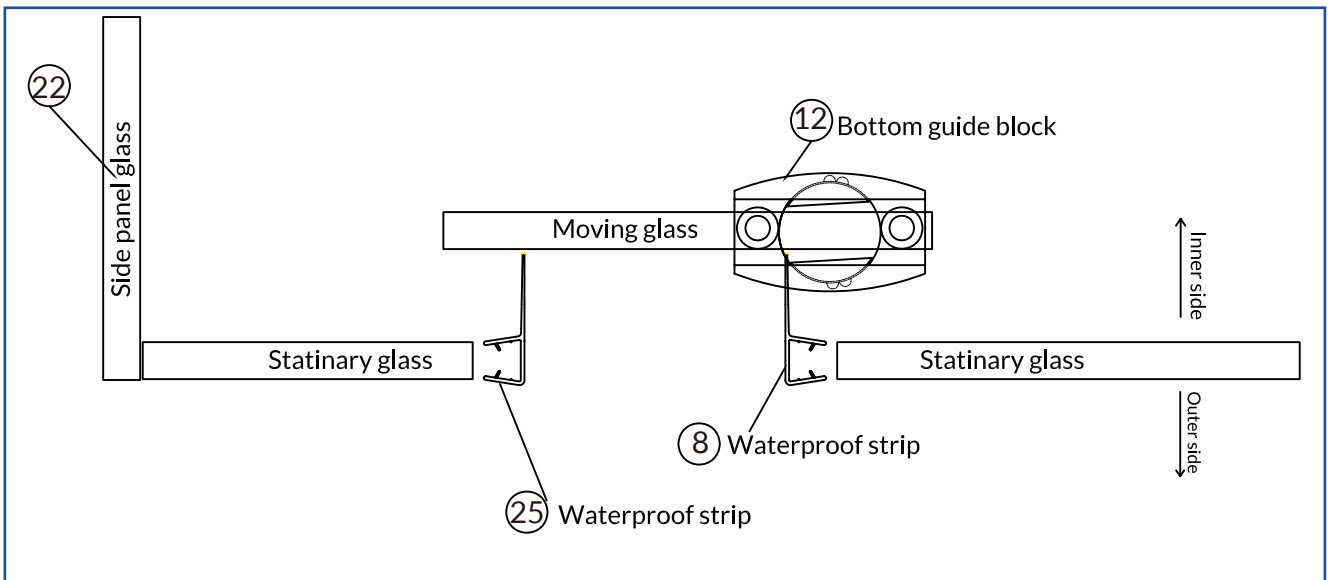
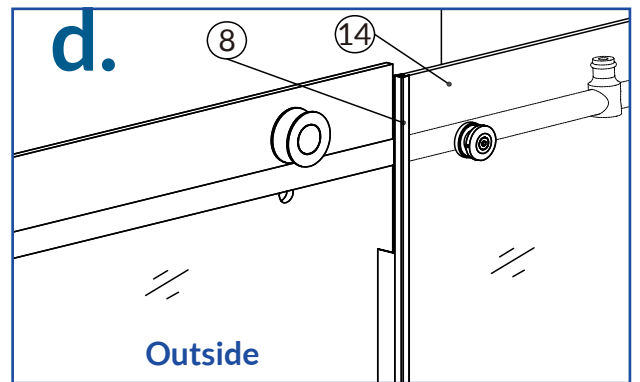
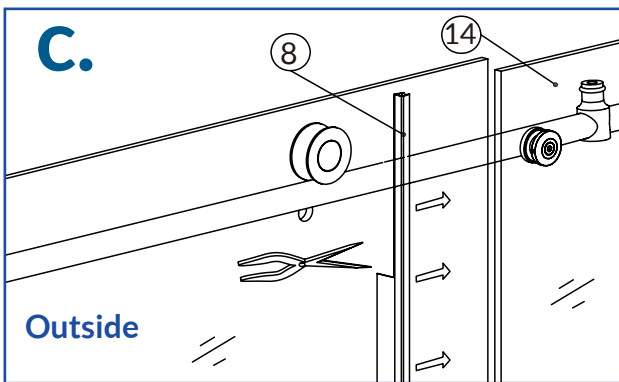
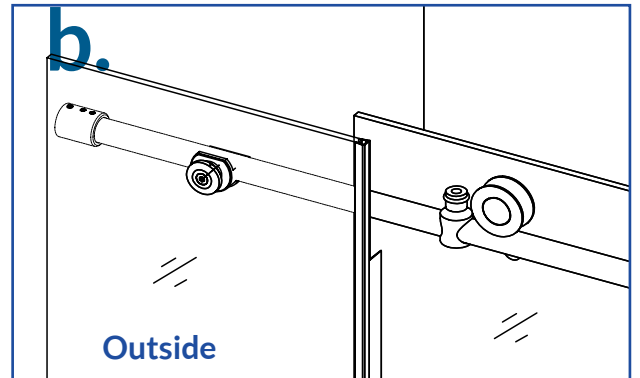
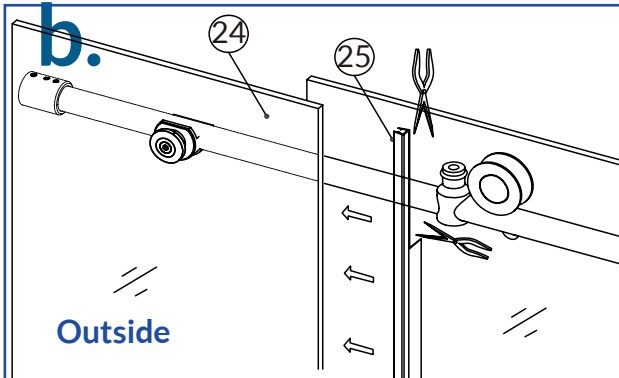
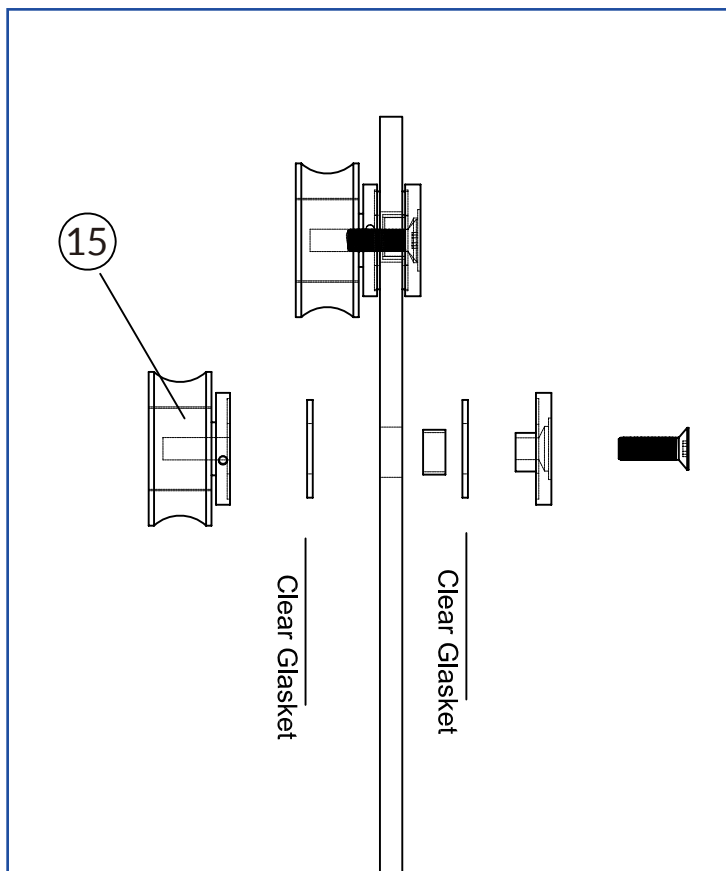
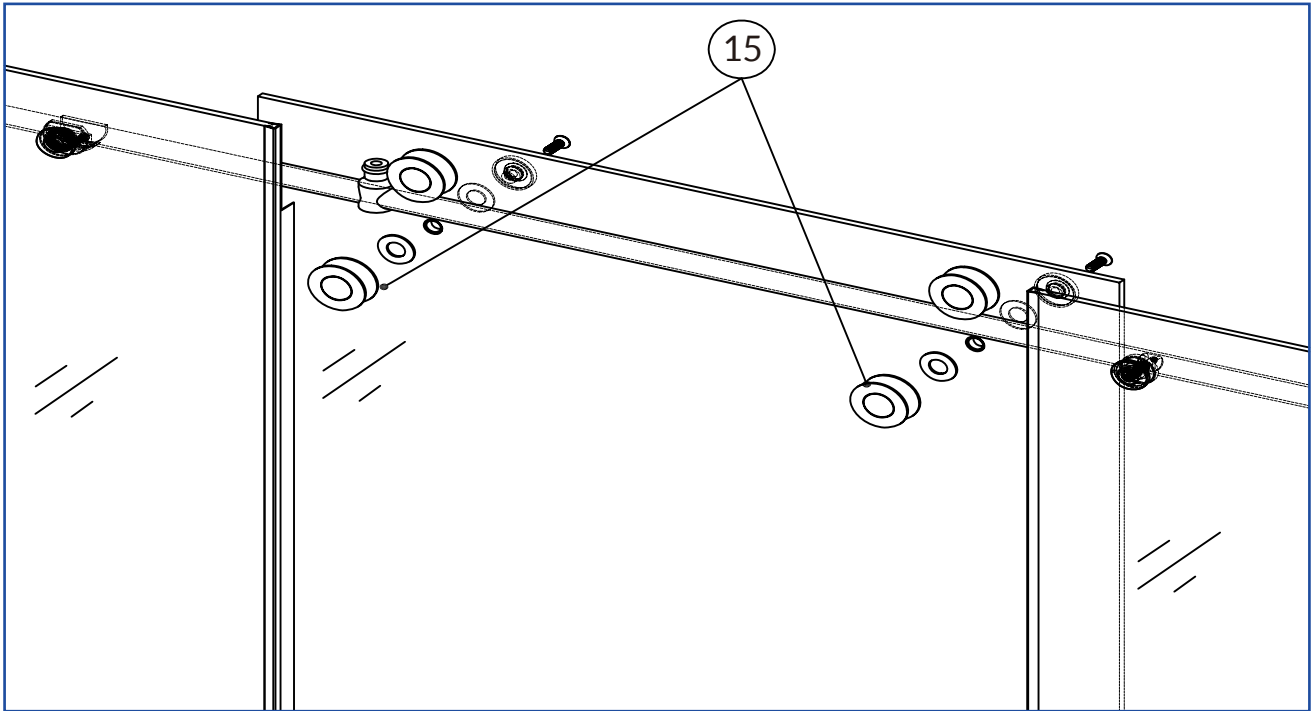


Figure 22 (for style B only)



REMARK: For style B installation, please refer to Figure 25.



19. Install the Bottom Two Rollers

Make sure that the Glass Door with Rollers hangs to the Upper Guide Rail (4), and the glass bottom is inside the Guide Block (12), now adjust glass to vertical and then install the bottom two Rollers (5).

Please see Fig 23 for details

Figure 23

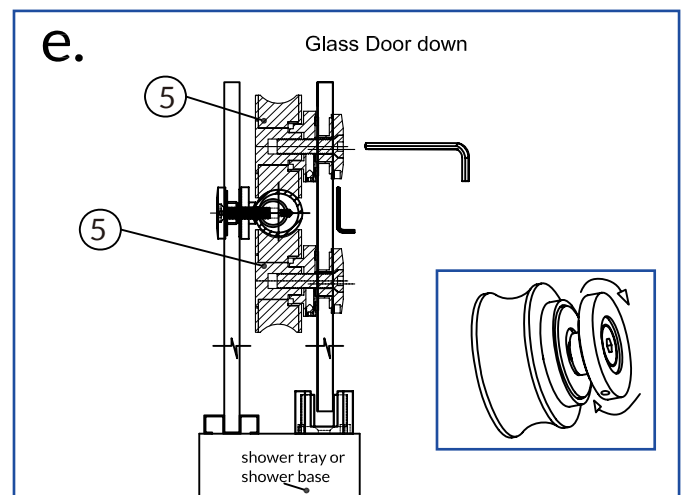
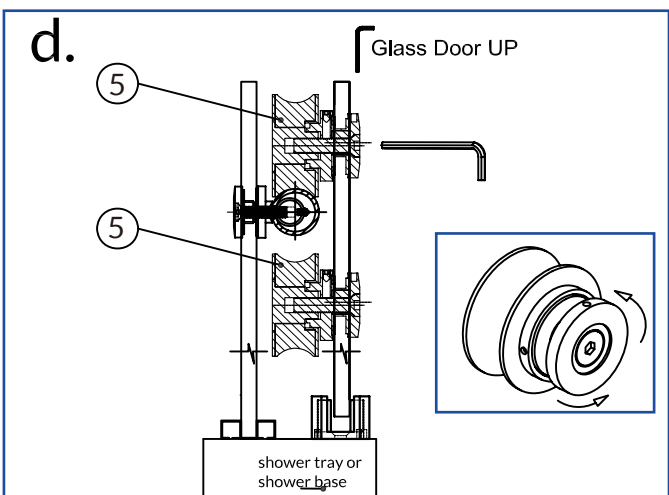
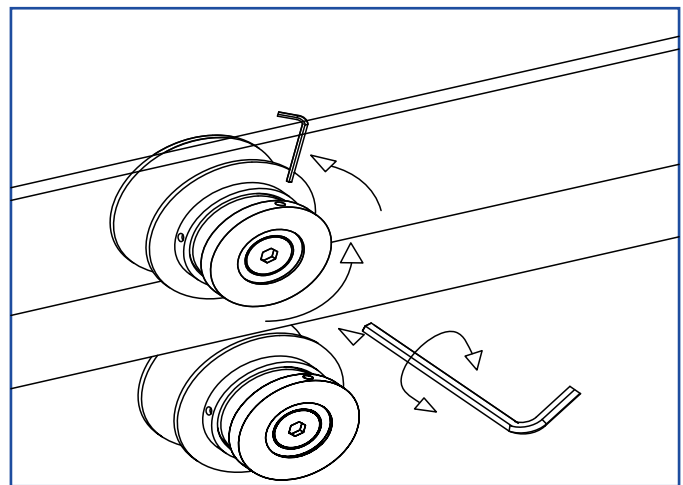
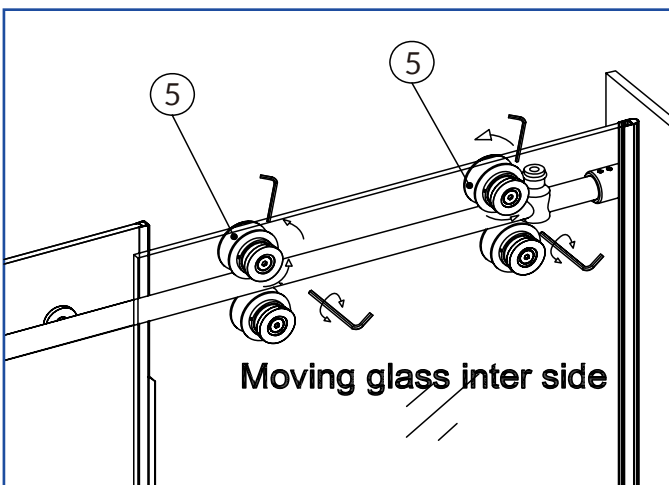
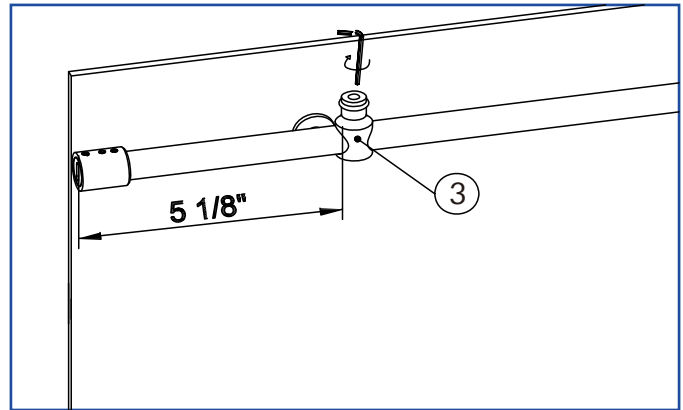
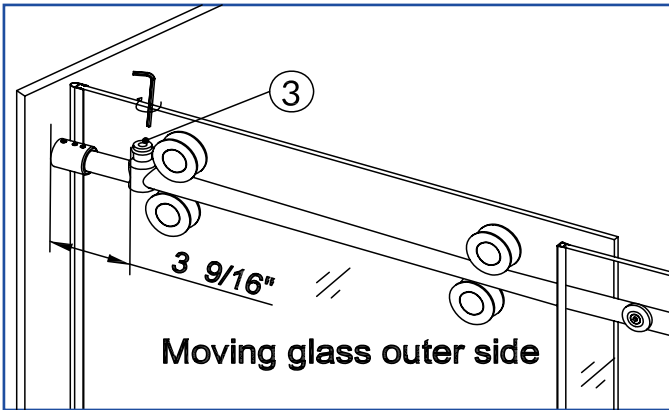


Figure 24

STYLE
A

20. Adjust the Rollers(5) and locate the Glass Door Stoppers(3)

Adjust the fasteners on both Rollers (5) to ensure that the bottom edge of the Glass Door (7) will not touch the bottom of the Guide Block (12).

NOTE: Glass Door can be adjusted up or down for 2mm by adjusting the fasteners on the Rollers.

Push the Door Stopper(3) close to the wall side, slide the Glass Door to make roller contact to the Stopper and get the perfect space then lock the stopper screw.

NOTE: Make sure that the stoppers are lock tightly to the roller bar. Please make sure that the Glass Door especially the door corners will not hit the walls when closed and opened

Please see Fig 24 for details

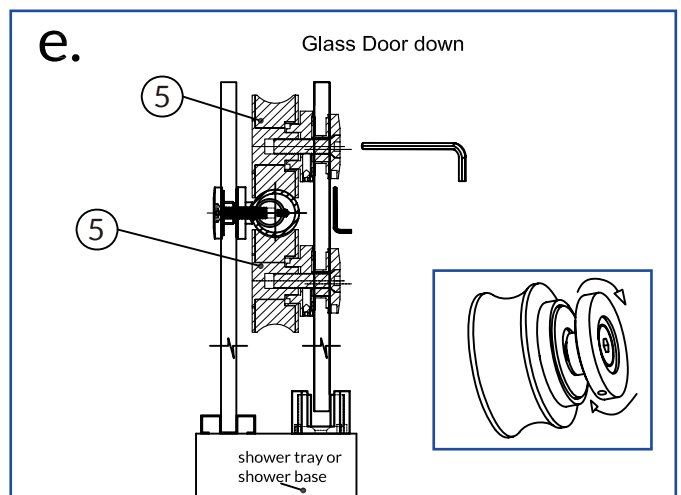
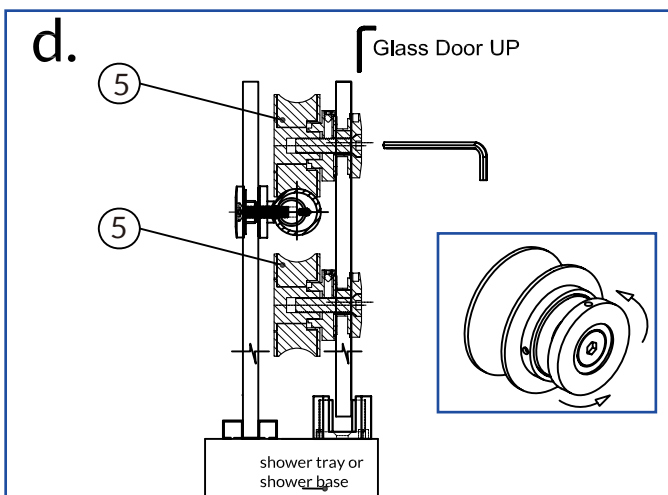
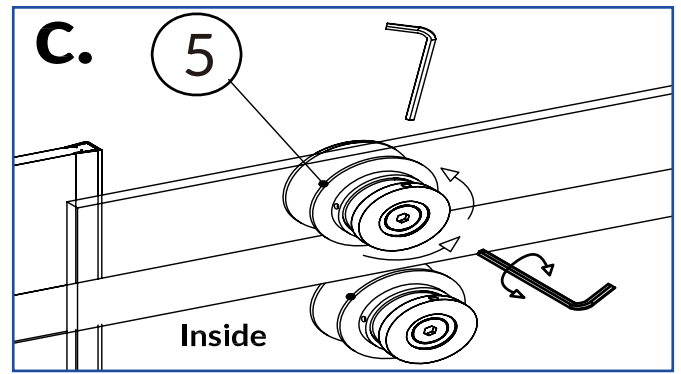
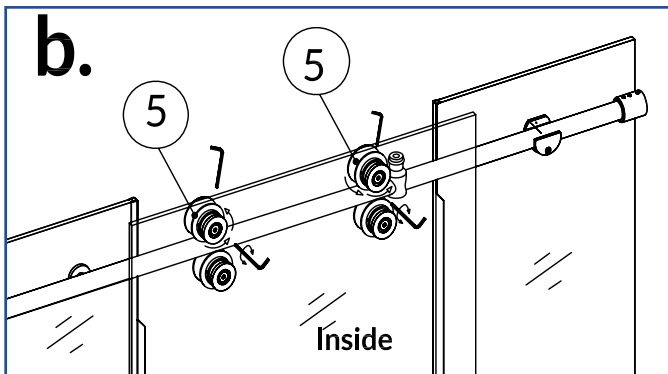
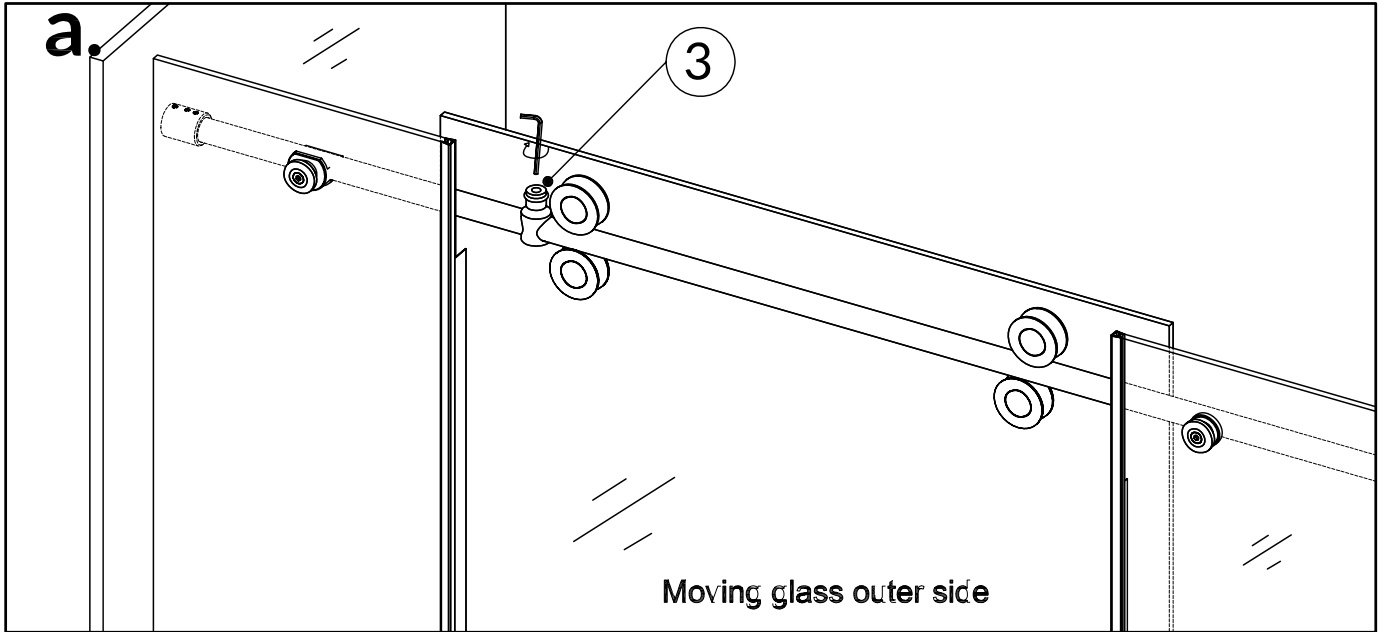


Figure 25 (for style B only)



REMARK: For style B installation, please refer to Figure 25.

IMPORTANT STEP!**21. Measure and Trim the Anti-Splash Threshold**

21.1 Measure the dimension of the threshold opening by attaching the Threshold Cover(9) to the Threshold(10) and place the threshold into the threshold opening. If the threshold is too long to fit into the guide block mark a cut line on the threshold and trim the threshold using a meter saw.

Please see Fig 26



Figure 26

IMPORTANT STEP!



22. Measure and Trim the Anti-Splash Threshold

22.1 Measure the dimension of the threshold opening by attaching the Threshold Cover(9) to the Threshold(10) and place the threshold into the threshold opening. If the threshold is too long to fit into the guide block mark a cut line on the threshold and trim the threshold using a meter saw.

Please see Fig 27

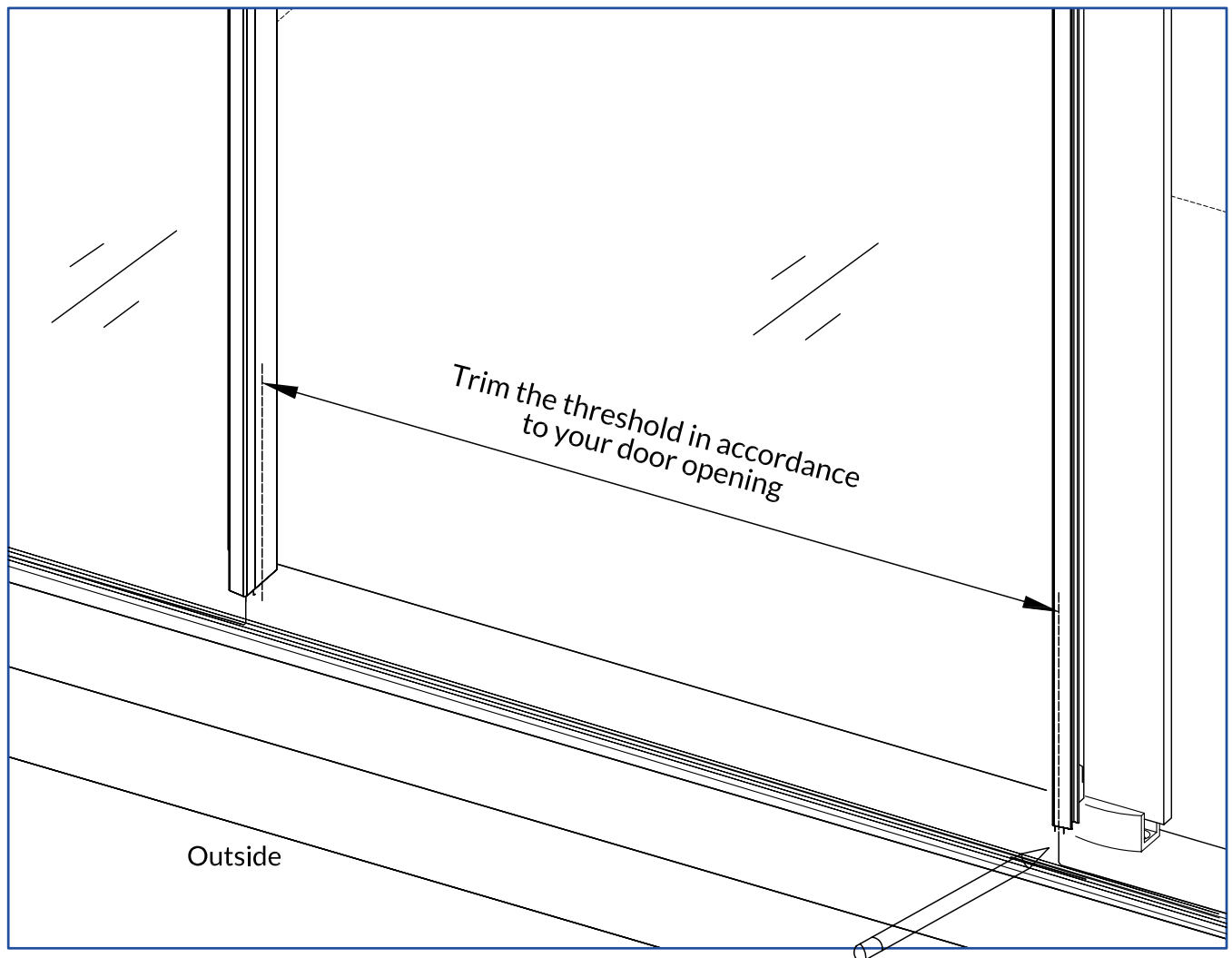


Figure 27

23. Install the Anti-Splash Threshold Cover

Put the Threshold Cover (6) into the groove of the threshold (7) in front of the Glass Door (5).

Please see Fig 29

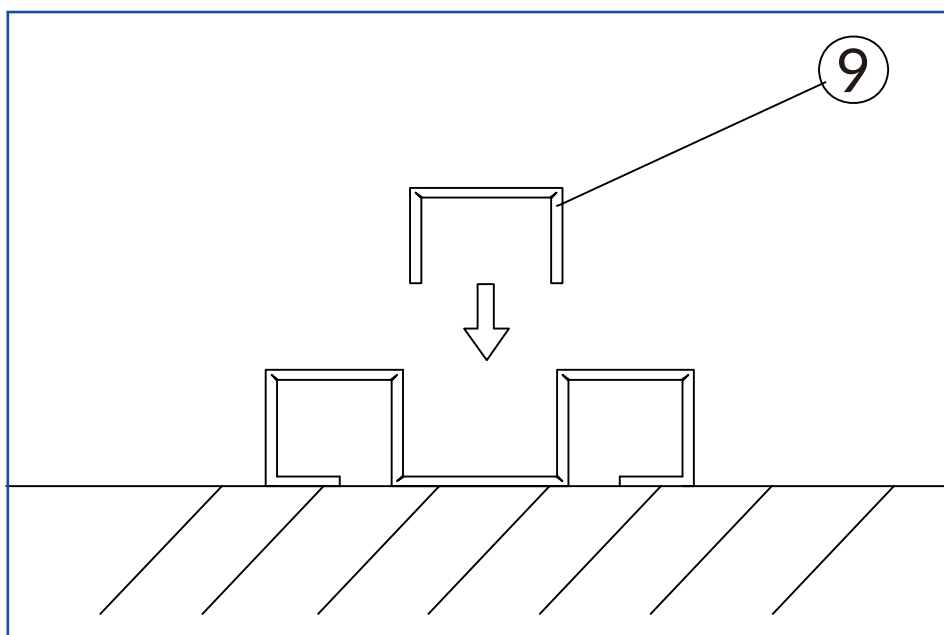
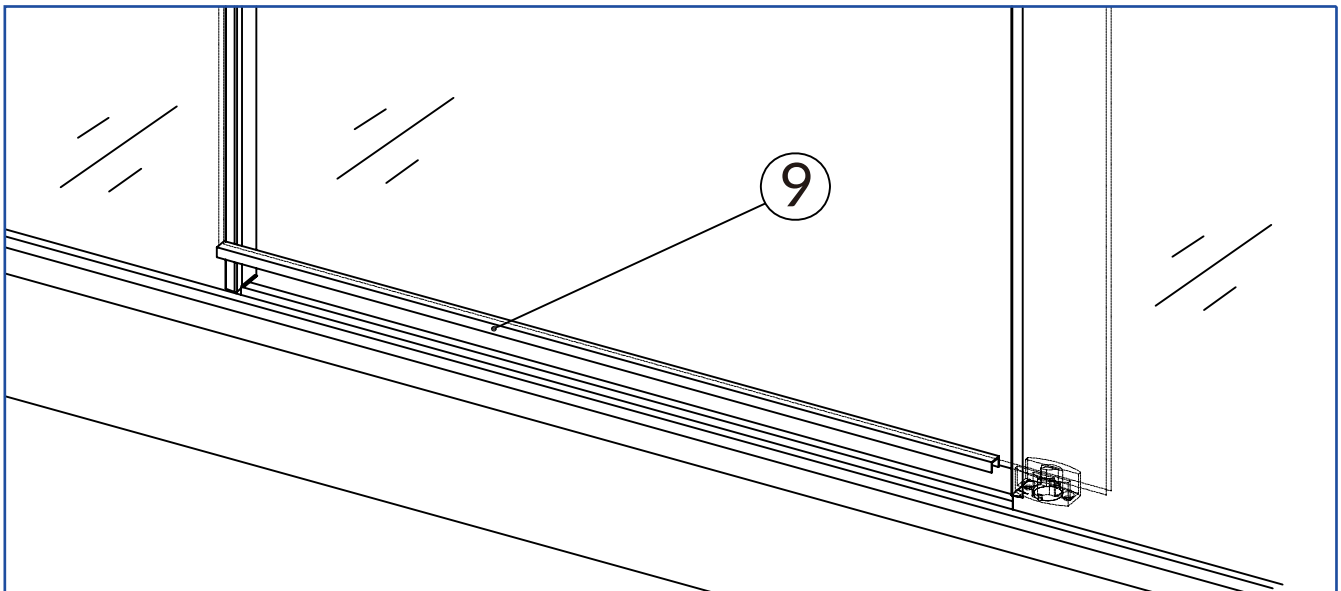


Figure 29

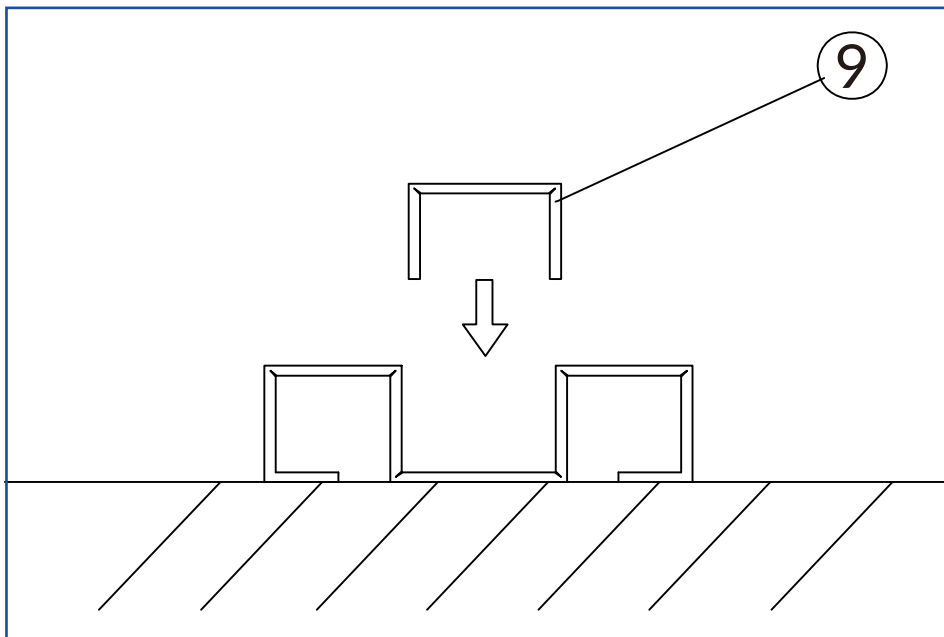
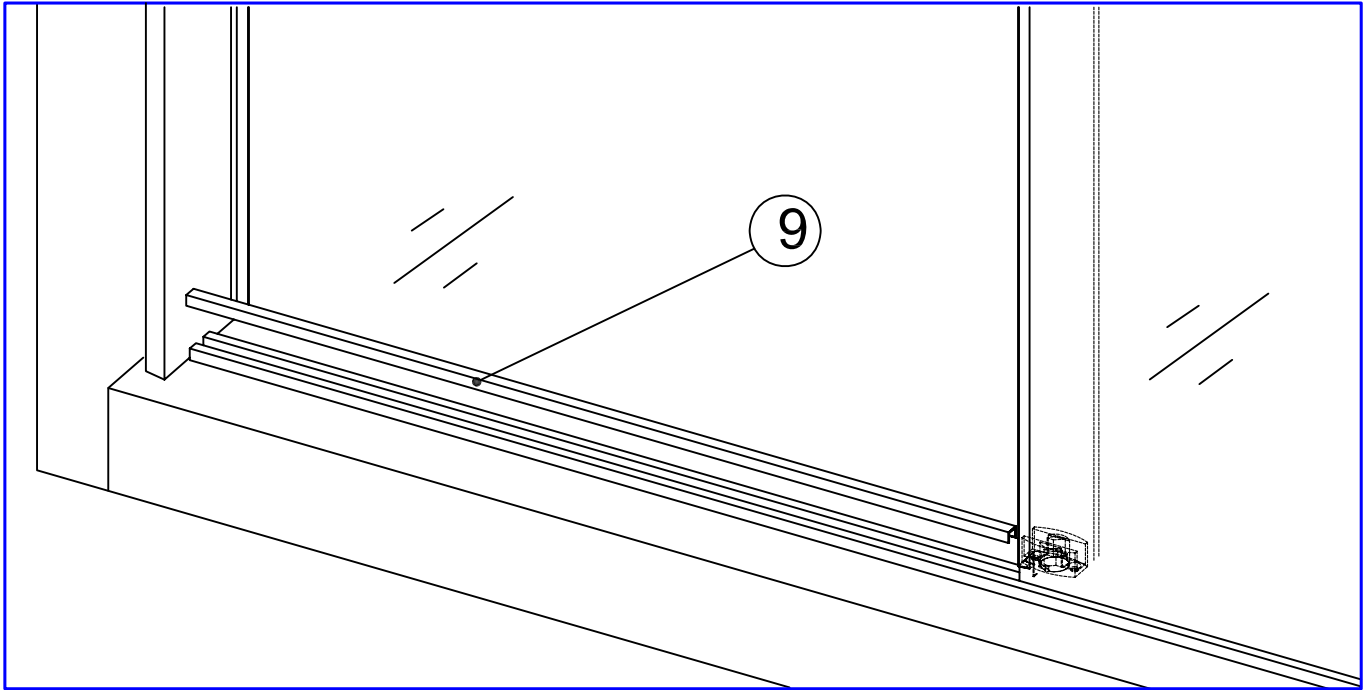
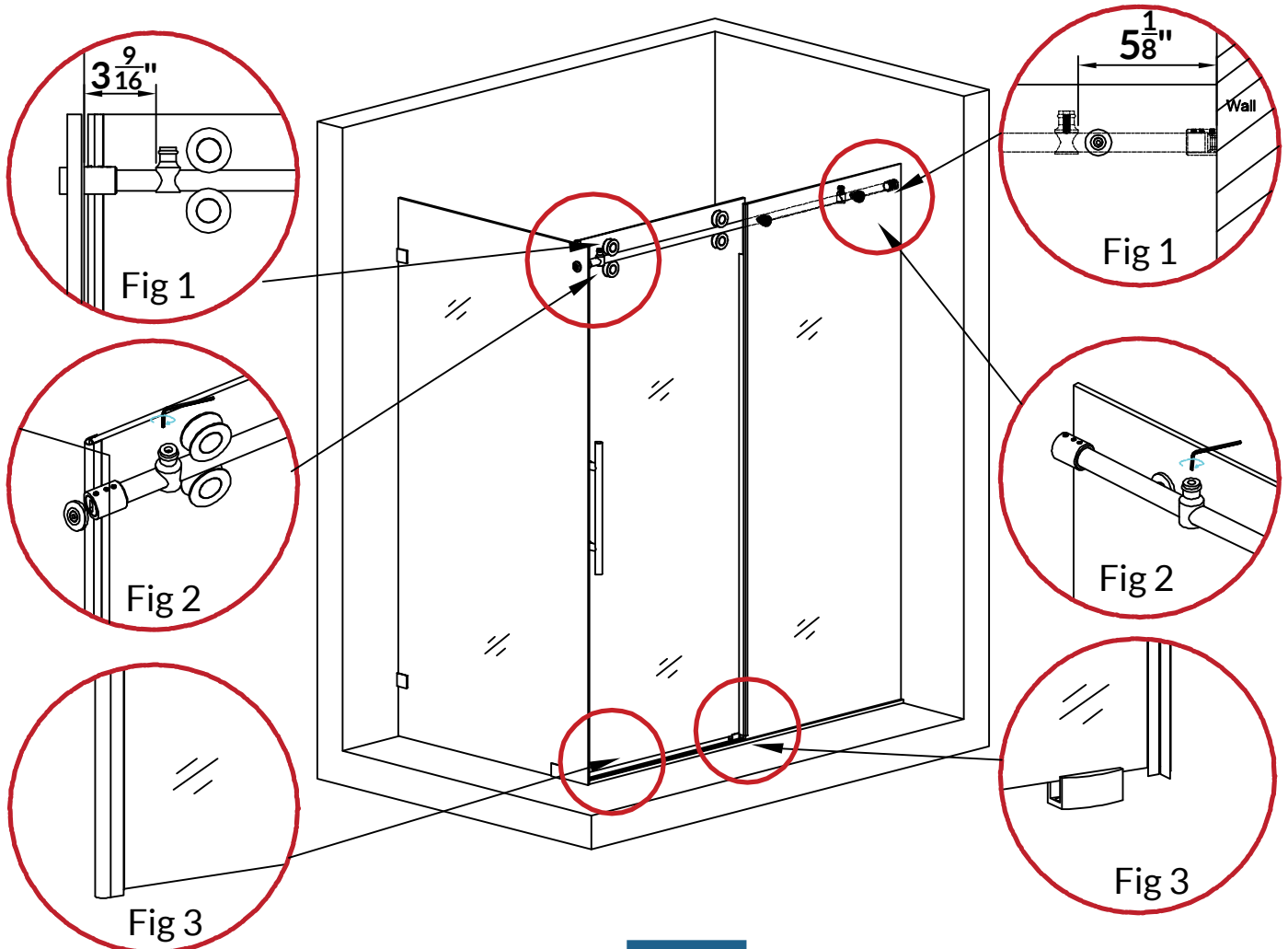


Figure 30

EXTREMELY IMPORTANT!

The instructions specified and described on this page are extremely important and are required during installation and regular technical maintenance of the product. Ignoring and/or avoiding to complete these instructions during installation or regular technical maintenance of the product may and will result in damage to the product such as shattering and breakage of any and/or all glass parts that may and will cause severe personal injuries or death of a person operating improperly installed or improperly maintained door. Installer of the product must be only licensed and experienced contractor and has to read and follow all of these instructions during installation and/or regular technical maintenance of the product.





EXTREMELY IMPORTANT INSTALLATION & TECHNICAL MAINTENANCE INSTRUCTIONS!



A licensed and professional contractor has to comply with the required specifications and dimensions illustrated on this diagram during installation and technical maintenance of the product.

1. To avoid the Glass Door hitting a wall during opening and closing, make sure that the distance between the Glass Stoppers and the wall is not less than 5-1/8" for Stationary Glass Panel and 3-9/16" for Glass Door. (See Figure 1)
2. Glass Stoppers has to be installed very tight to the Upper Guide Rail and must not move. Double check if all screws on the Glass Stoppers are tight. Tighten the screws if necessary. (See Figure 2)
3. The A-Shape Anti-Water Strip and Side Anti-Water strip must be 1-2 mm longer than the Glass Door to make sure that the glass corner will not contact the wall directly.(See Figure 3)
4. Double check front and back surfaces, all sides, and all corners of the Glass Door and Stationary Glass Panel to make sure that the glass parts are in perfect condition without any scratches, and/or dents. If any type of breakage and/or other imperfection is found do not install the affected glass part.



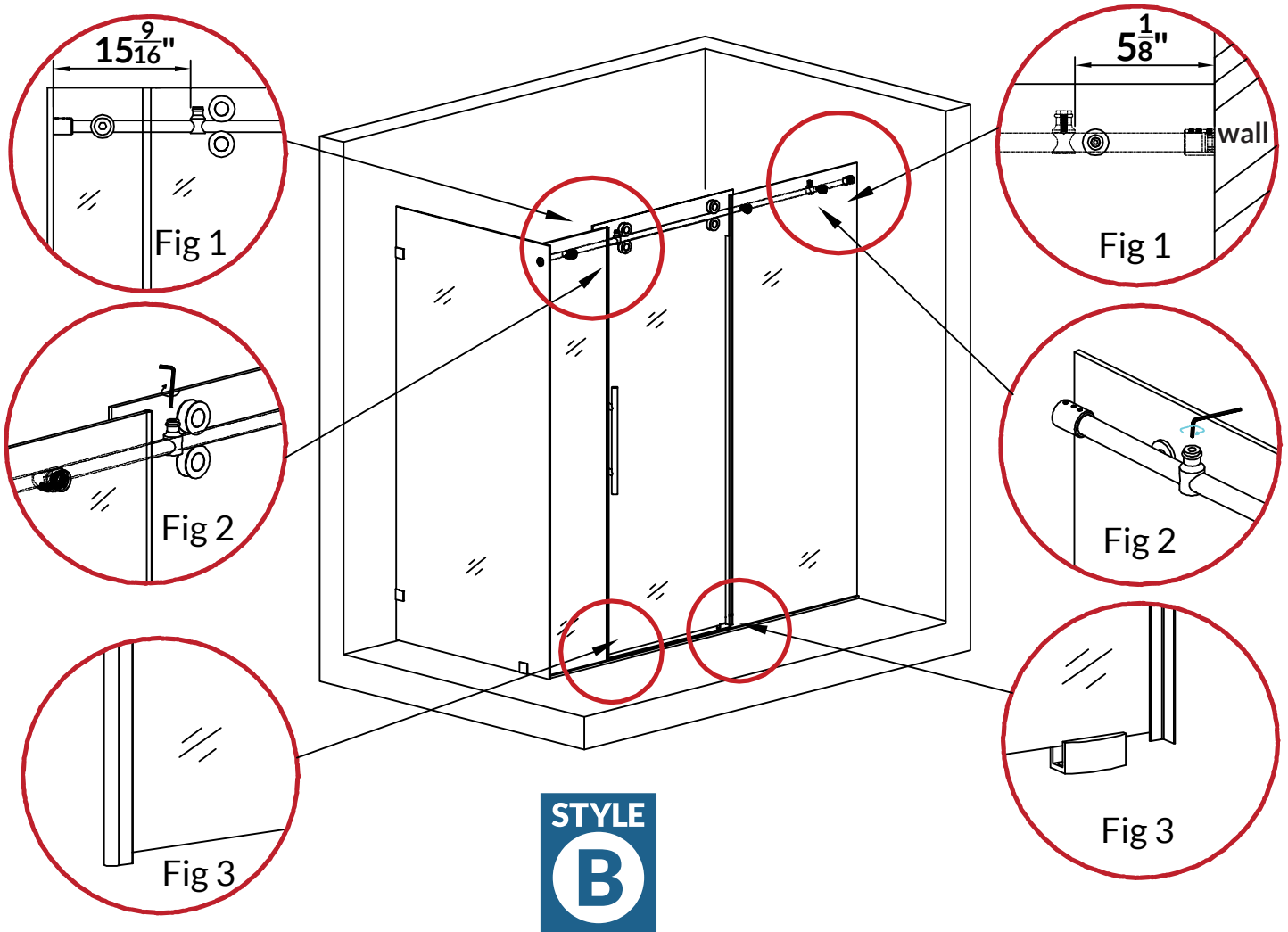
EXTREMELY IMPORTANT TECHNICAL MAINTENANCE STEP!

After installation use the shower door for approximately 2-3 weeks or 20-25 times (whichever comes first). After that be sure to re-inspect all screws, make sure they are tight and tighten them if necessary. Repeat the adjustments if necessary.

By installing and operating this product the installer and the owner of the product acknowledge, understand, and agree to follow all of the installation and technical maintenance procedures and/or policies described in this installation instructions manual including this page. If you do not understand or agree to any or all of these instructions or policies do not install or operate the product. Failure to follow and/or comply with any or all of the instructions and policies will void any warranty of the product and will automatically remove any and all liability from manufacturer and/or distributors of the product.

EXTREMELY IMPORTANT!

The instructions specified and described on this page are extremely important and are required during installation and regular technical maintenance of the product. Ignoring and/or avoiding to complete these instructions during installation or regular technical maintenance of the product may and will result in damage to the product such as shattering and breakage of any and/or all glass parts that may and will cause severe personal injuries or death of a person operating improperly installed or improperly maintained door. Installer of the product must be only licensed and experienced contractor and has to read and follow all of these instructions during installation and/or regular technical maintenance of the product.



**EXTREMELY IMPORTANT INSTALLATION
& TECHNICAL MAINTENANCE INSTRUCTIONS!**

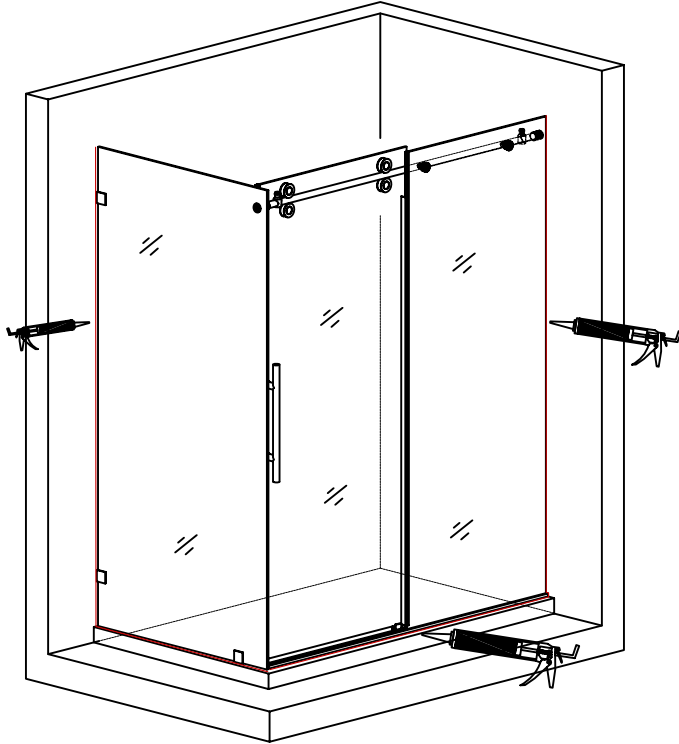
A licensed and professional contractor has to comply with the required specifications and dimensions illustrated on this diagram during installation and technical maintenance of the product.

1. To avoid the Glass Door hitting a wall during opening and closing, make sure that the distance between the Glass Stoppers and the wall is not less than 5-1/8" for Stationary Glass Panel and 15-9/16" for Glass Door. (See Figure 1)
2. Glass Stoppers has to be installed very tight to the Upper Guide Rail and must not move. Double check if all screws on the Glass Stoppers are tight. Tighten the screws if necessary. (See Figure 2)
3. The A-Shape Anti-Water Strip and Side Anti-Water strip must be 1-2 mm longer than the Glass Door to make sure that the glass corner will not contact the wall directly. (See Figure 3)
4. Double check front and back surfaces, all sides, and all corners of the Glass Door and Stationary Glass Panel to make sure that the glass parts are in perfect condition without any scratches, and/or dents. If any type of breakage and/or other imperfection is found do not install the affected glass part.

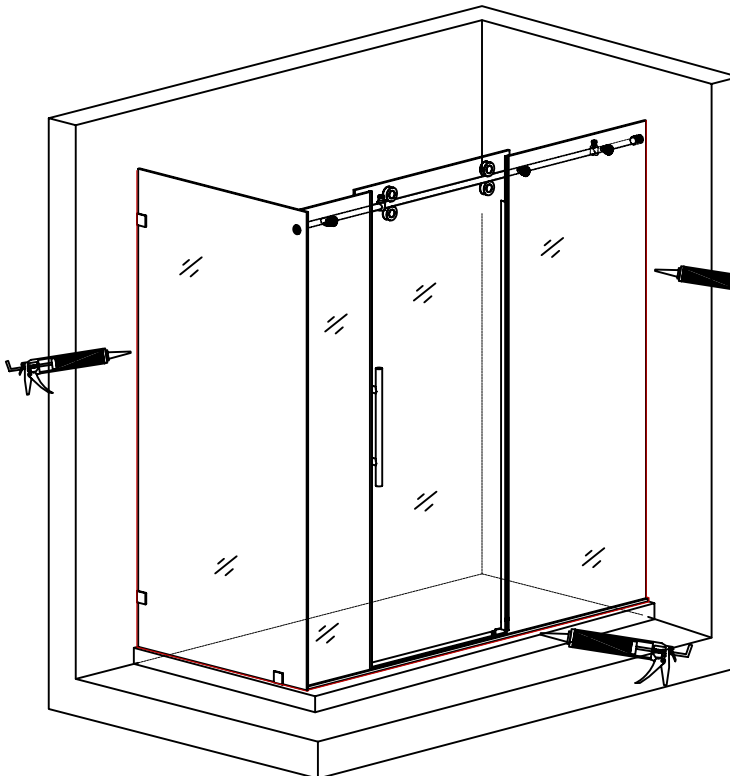
STYLE**B****EXTREMELY IMPORTANT TECHNICAL MAINTENANCE STEP!**

After installation use the shower door for approximately 2-3 weeks or 20-25 times (whichever comes first). After that be sure to re-inspect all screws, make sure they are tight and tighten them if necessary. Repeat the adjustments if necessary.

By installing and operating this product the installer and the owner of the product acknowledge, understand, and agree to follow all of the installation and technical maintenance procedures and/or policies described in this installation instructions manual including this page. If you do not understand or agree to any or all of these instructions or policies do not install or operate the product. Failure to follow and/or comply with any or all of the instructions and policies will void any warranty of the product and will automatically remove any and all liability from manufacturer and/or distributors of the product.



STYLE
A



STYLE
B

24. Apply silicone sealant on the seams between the stationary glass /return panel glass and the shower tray/-threshold, and between the wall and the stationary glass/return panel glass.

See Figure 31 for details.

**IMPORTANT:
MUST ALLOW SILICONE TO DRY FOR 24 HOURS BEFORE
STARTING USING THE SHOWER ENCLOSURE**

Figure 31

STYLE
A

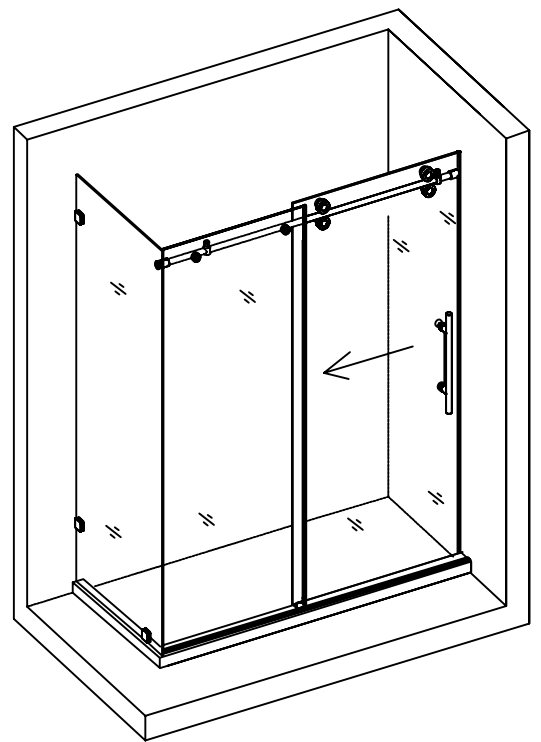
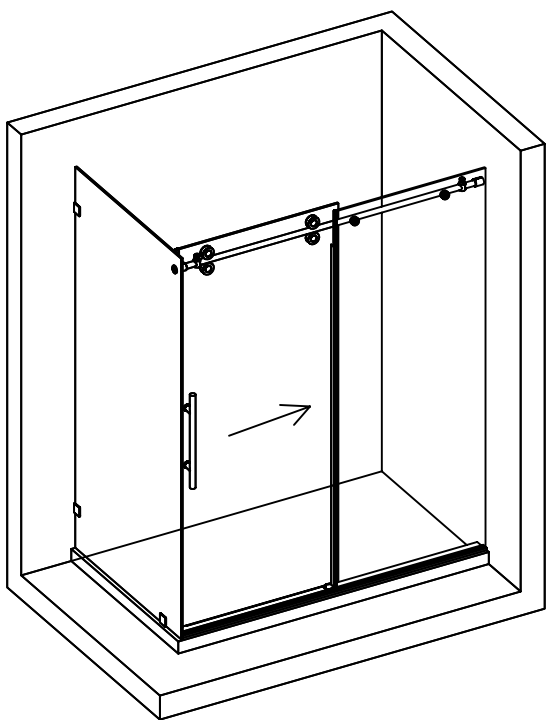
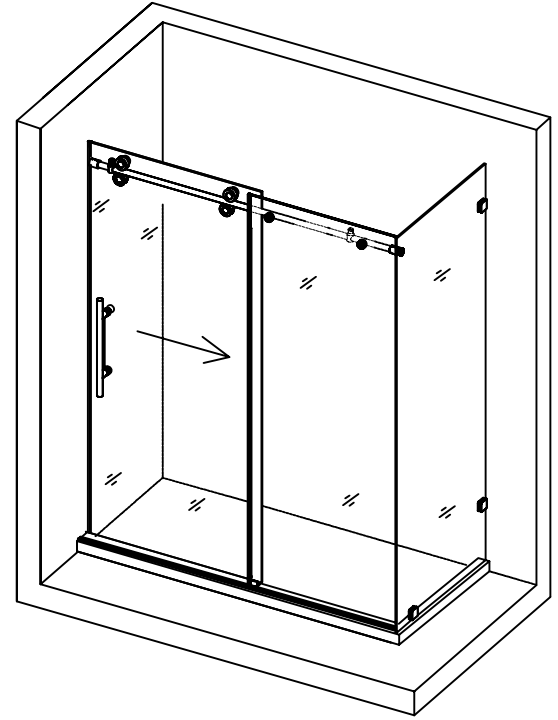
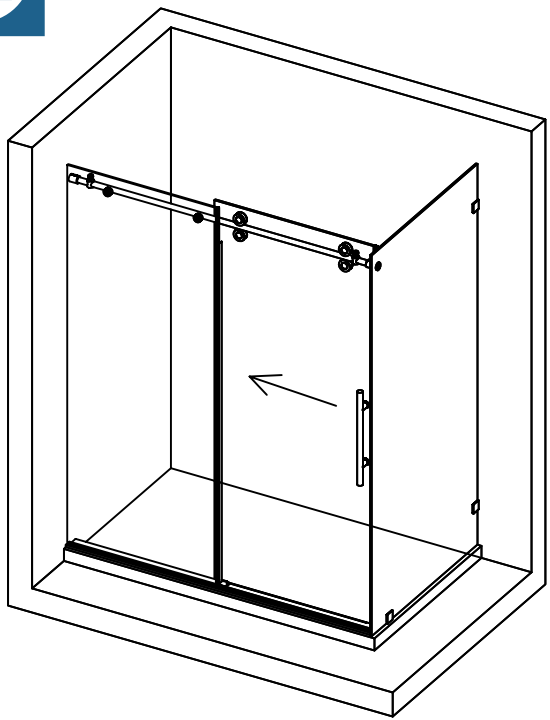


Figure 31

STYLE
B

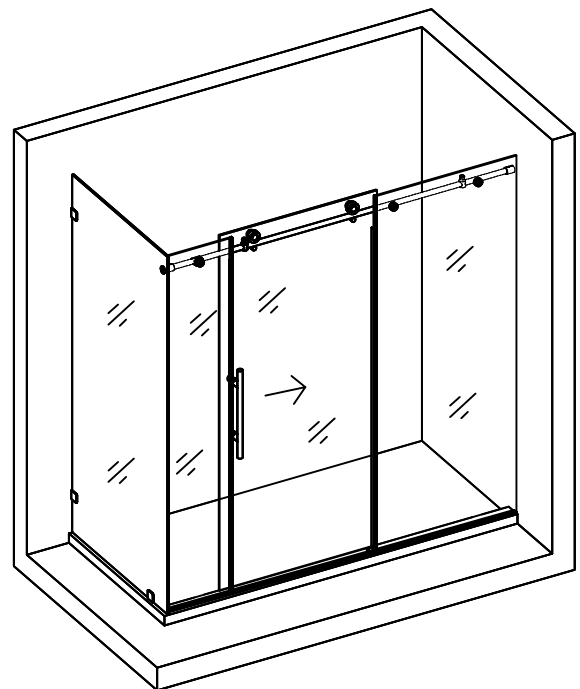
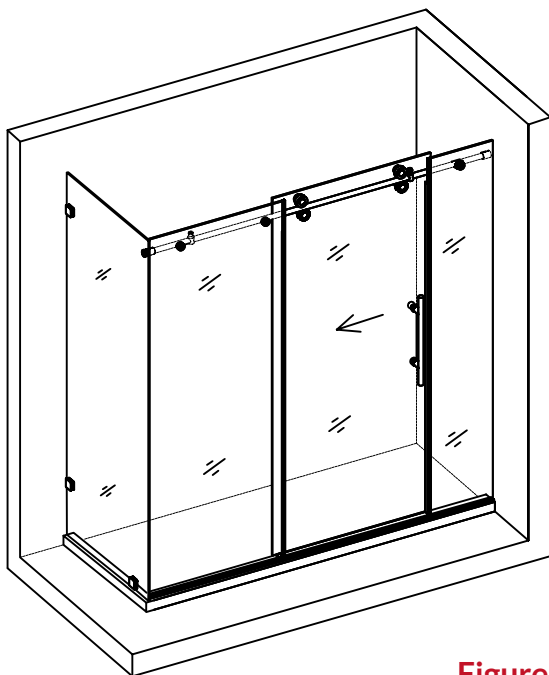
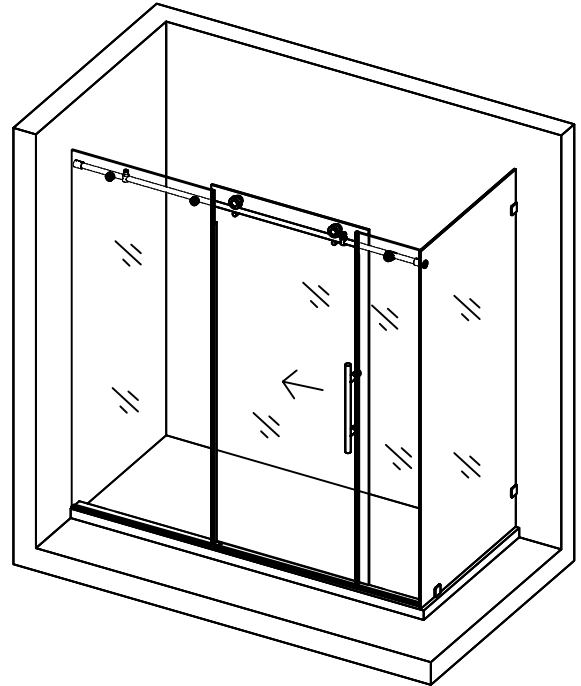
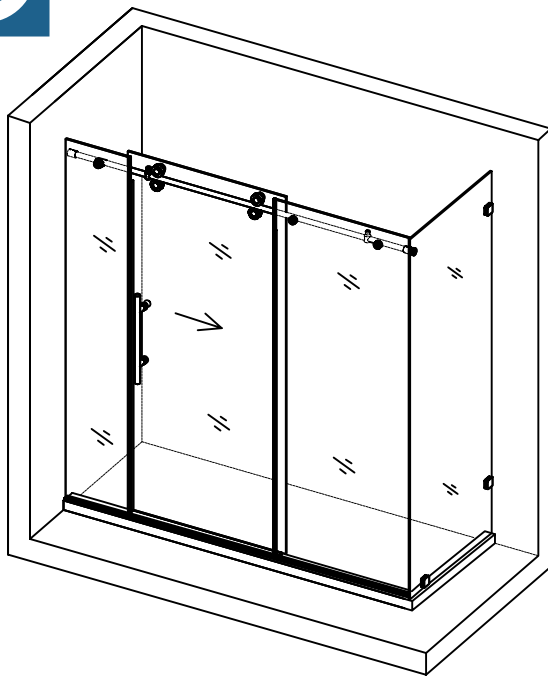


Figure 32



Maintenance & Care

IMPORTANT!

DO NOT USE: Abrasive cleaners such as: acid, ammonia, bleach, and similar solutions; or any types of baking soda cleaning solutions. Use of such solutions may cause corrosion, finish peeling, and/or dull the surface.

DO NOT USE: Abrasive sponges or cloth. Never use steel, wool, or wired brushes that will permanently scratch the surface.

After installation use the shower door for approximately 2-3 weeks or 20-25 times (whichever comes first). Be sure to re-inspect all screws, make sure they are tight and tighten them if necessary. Repeat this adjustments when necessary.

When opening and closing the glass door. Be sure not to slam it. Always, open or close the glass door gently. Never slam the shower door against glass shower enclosure panel or wall. Slamming the glass door will cause immediate shattering and will cause personal injury or death.

Never leave kids unattended. Be sure to explain safety rules and train kids how to use the shower door to prevent any injuries or death. It is very important to inform all family members living with you about this safety operation instructions.

Long lasting life is guaranteed while maintaining proper care of your shower door and/or enclosure. To prevent a build-up of soap, after each use, rinse the glass and wipe it with a glass squeegee and soft cloth material. Glass parts may be cleaned with designated cleaning solutions only. All hardware parts must be cleaned with designated cleaning solutions only. Hardware parts must be cleaned at least once a week. When applying stainless steel cleaner or polish, work with grain, not against grain.

**INSTALLATION OF LESSCARE PRODUCTS BY AN
INEXPERIENCED INSTALLER MAY RESULT
PERSONAL INJURY OR DEATH!**

LessCare is not responsible for local code compliance. Building and plumbing codes may vary from state-to-state in accordance to your location. LessCare is not responsible for providing any compliance certifications.

LessCare products must be installed by a fully insured and licensed professional only. Installation of any LessCare product by anyone other than fully insured and licensed professionals shall **void limited warranty**. LessCare recommends that such licensed professionals have experience in the installation of products. This limited warranty voids on any commercial installation.

Retain these installation instructions for future reference!



Thank you for using LessCare products!