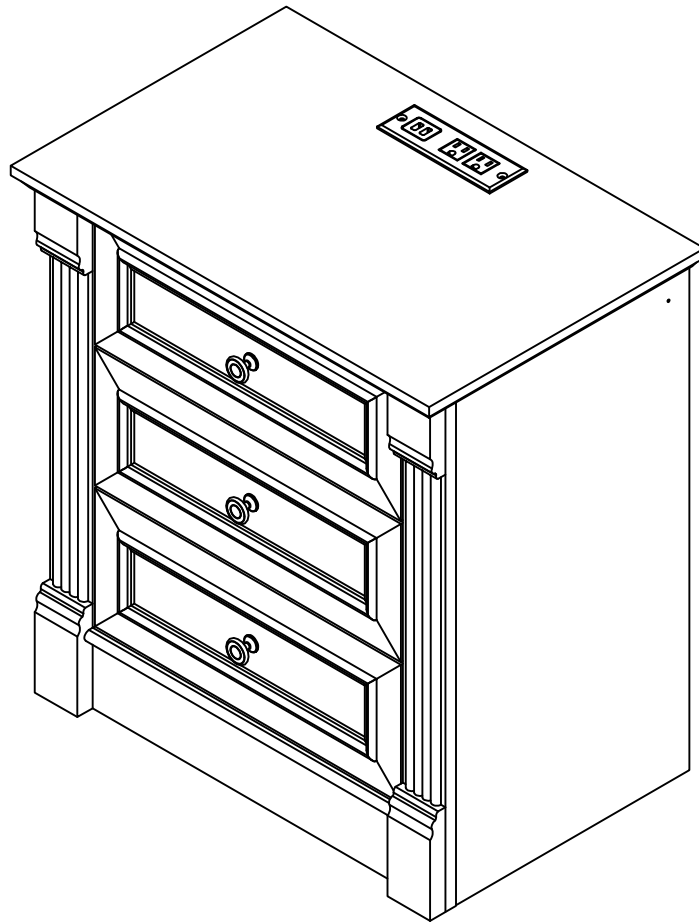
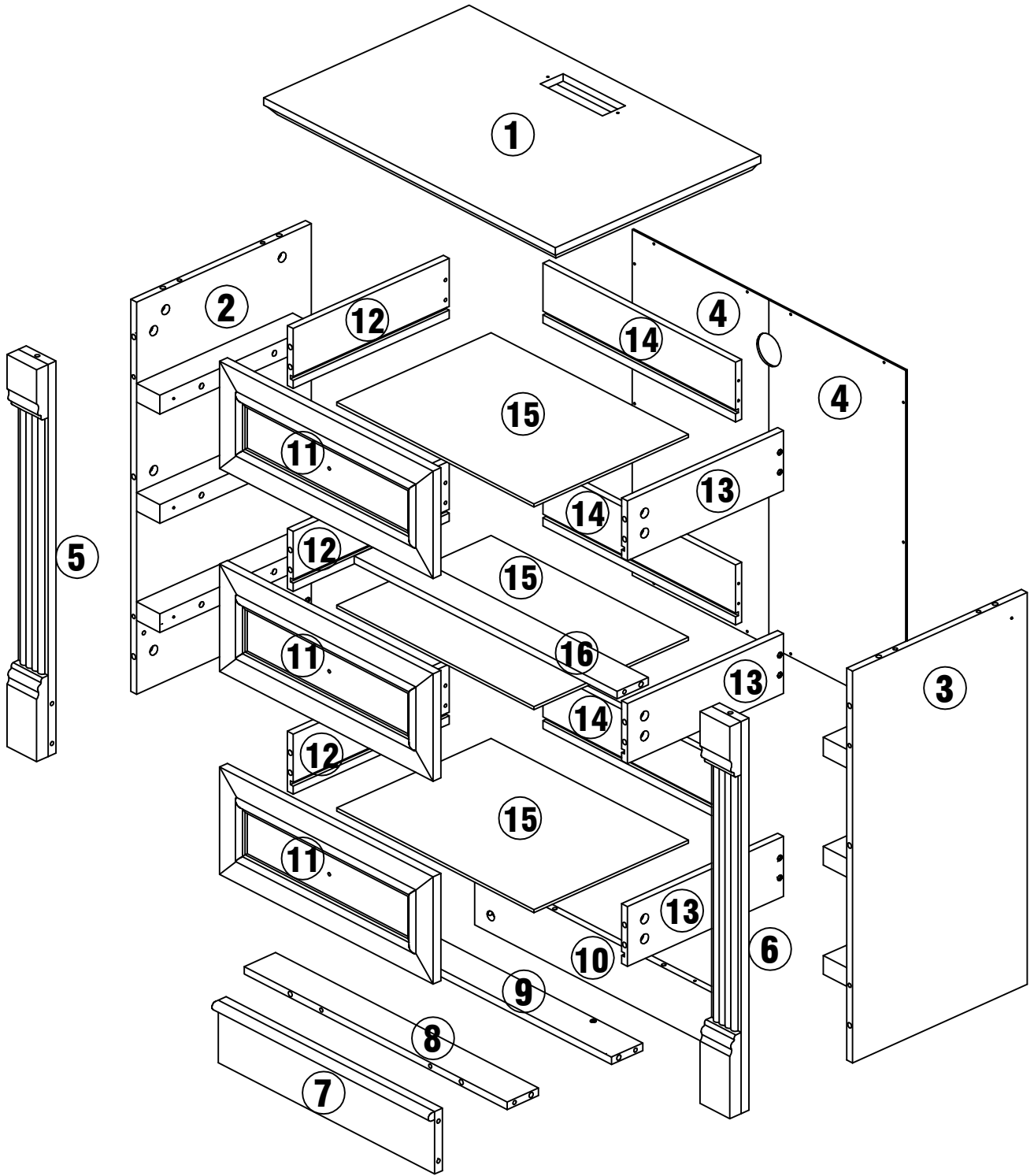


ASSEMBLY INSTRUCTIONS

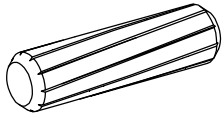


PACKAGE INCLUDE

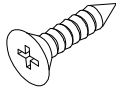


PACKAGE CONTENT

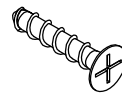
φ6X30MM



φ3X12MM



4X35MM



A

26X+1

B

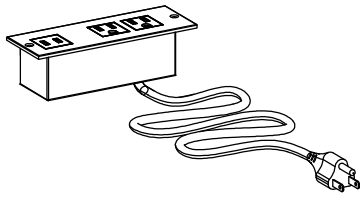
32X+1

C

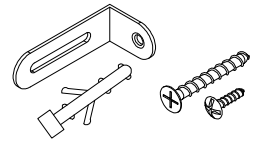
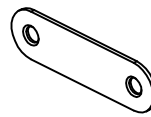
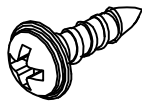
14X+1

D

3X



φ3.5X12MM



E

1X

F

18X+1

G

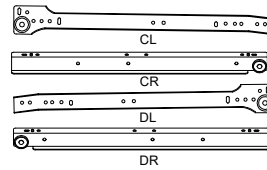
2X

H

2X



φ 15X10MM



J

32X+2

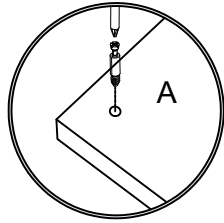
K

32X+2

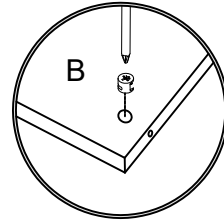
L

3X

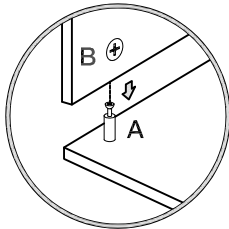
How to use the cam lock system



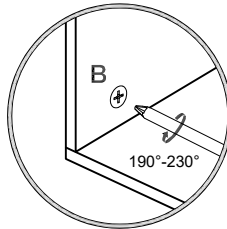
1. Screw cam bolt into panel



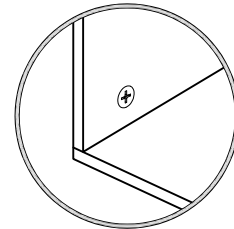
2. Push cam into panel - arrow feature on cam top points to panel edge



3. Align cam bolt(s) with cam(s) and insert all the way into cross-bored hole(s)

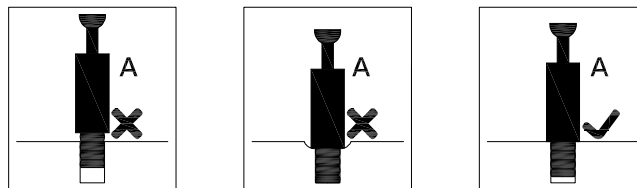
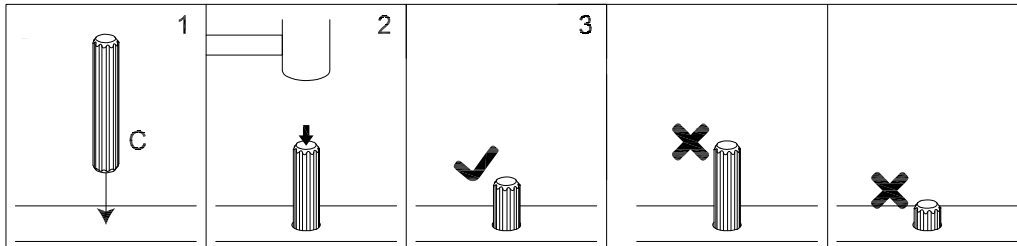


4. Rotate cam(s) clockwise 190°-230° to lock panels together



5. Panels should be tight against each other and connection should be rigid

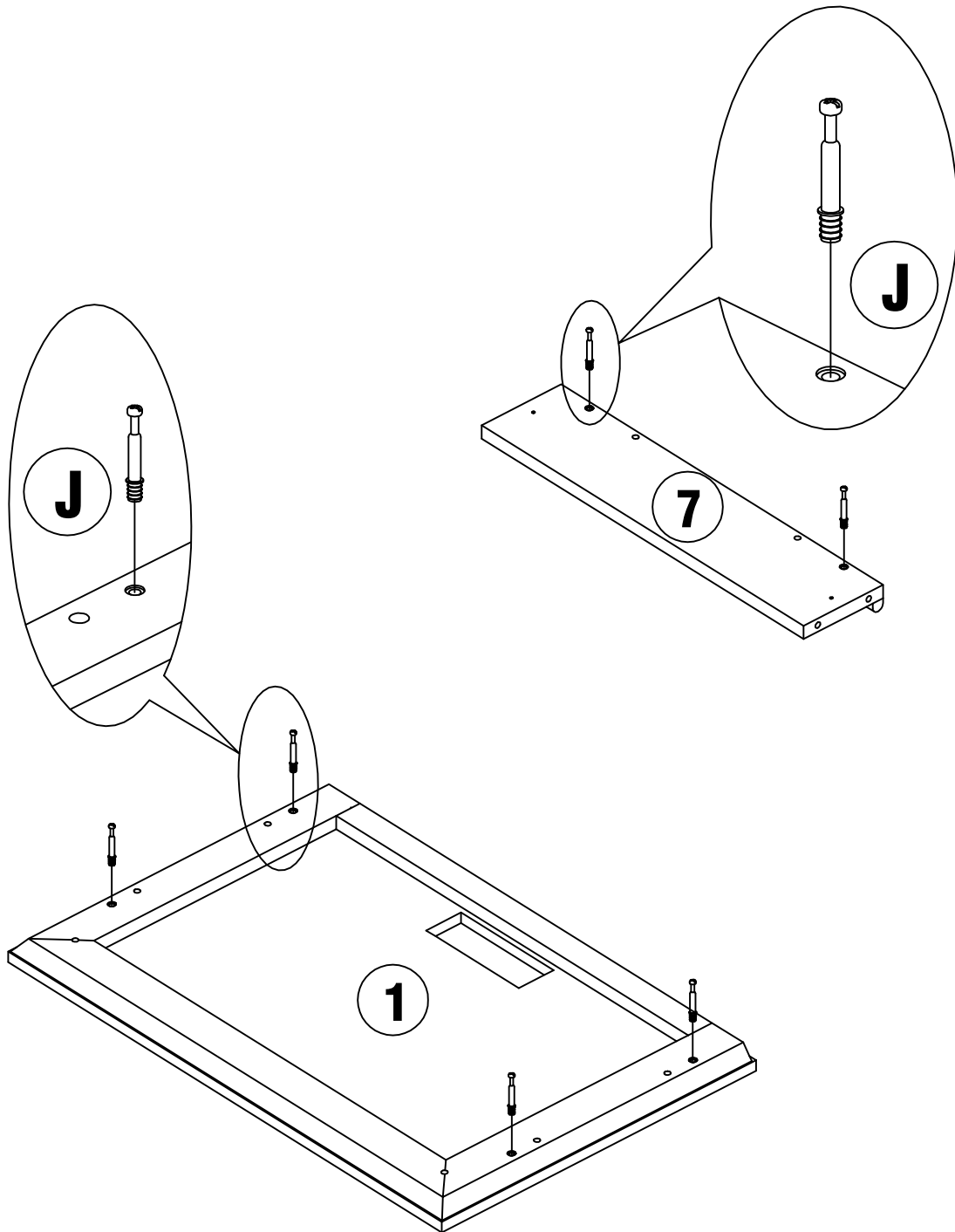
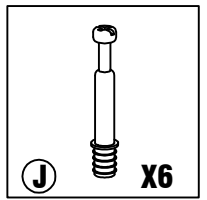
Insert the wood dowel [C] at least half way by tapping lightly with a rubber mallet, IF NECESSARY.



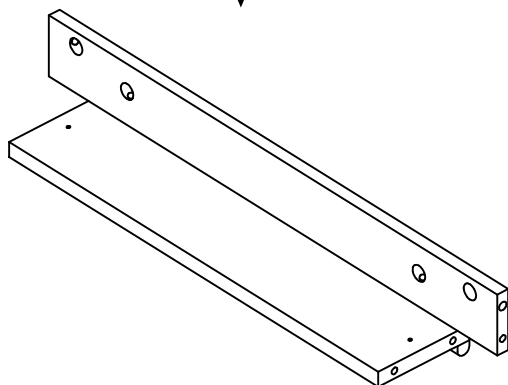
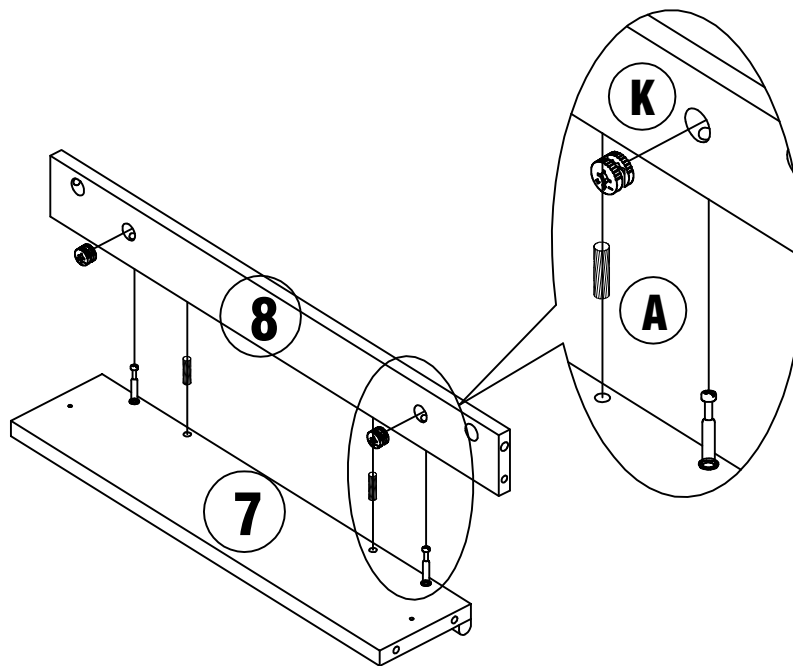
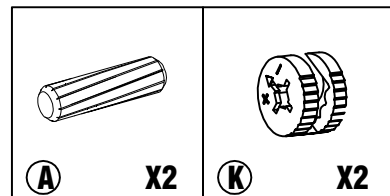
⚠ WARNING

- Unit must be placed on a level surface or leveled with included hardware (when applicable).
- Do not sit or stand on or allow children to climb, sit or stand on the assembled product.
- For safety reasons, it is imperative that this unit be mounted to the wall.
- Do not use without installing the tip restraint.
- Unit can tip over causing severe injury or death.
- Do not exceed the recommended weight limits.
- Evenly distribute the weight on each level and always keep the heavier loads on the bottom.
- Before cutting, drilling or hammering into any wall or floor surface, verify the location of electrical, plumbing and gas lines. Cutting may cause serious injury.

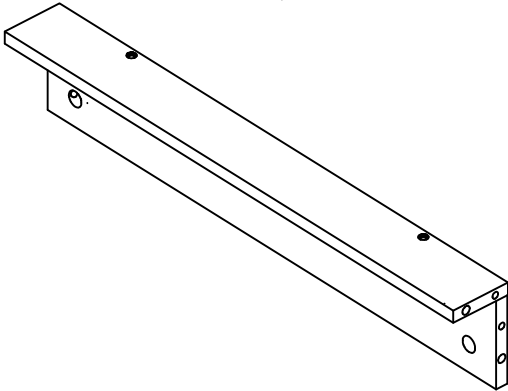
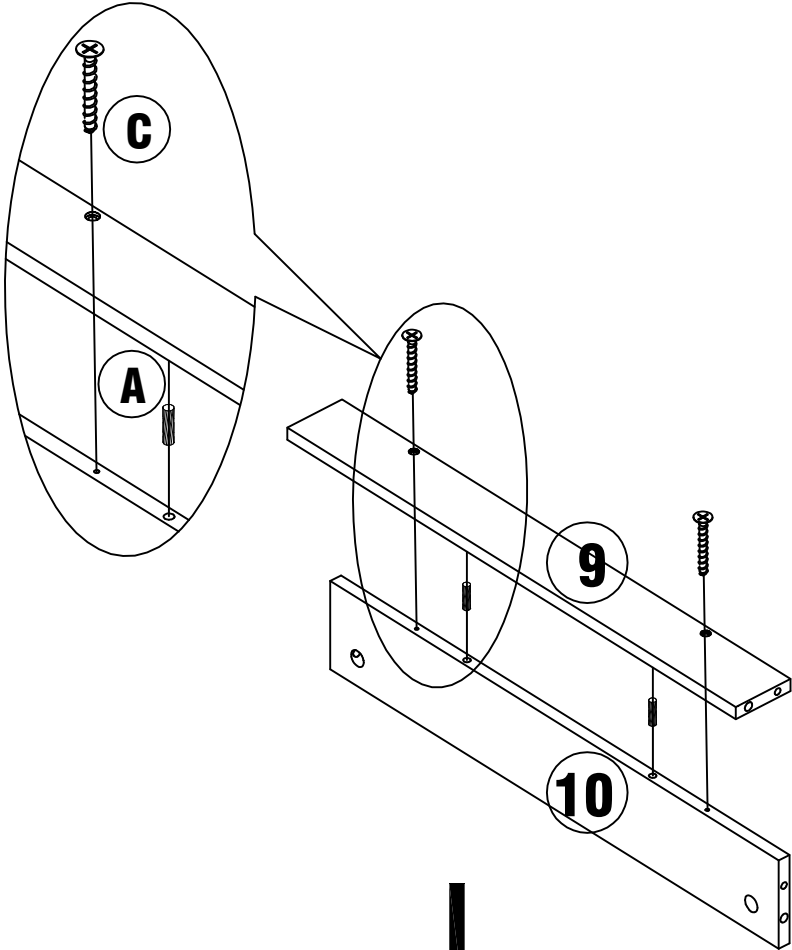
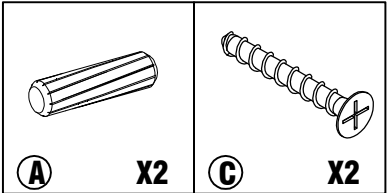
STEP 1



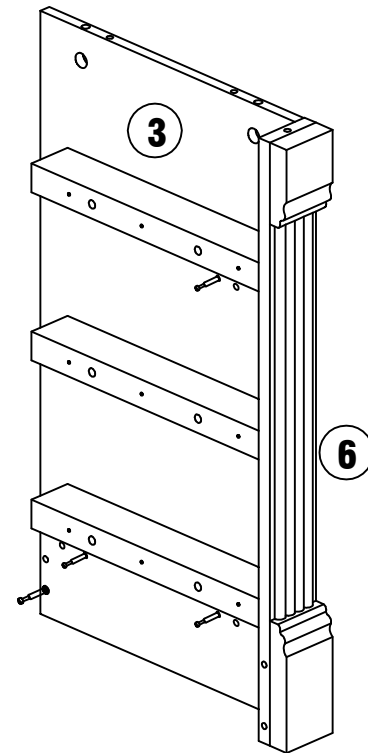
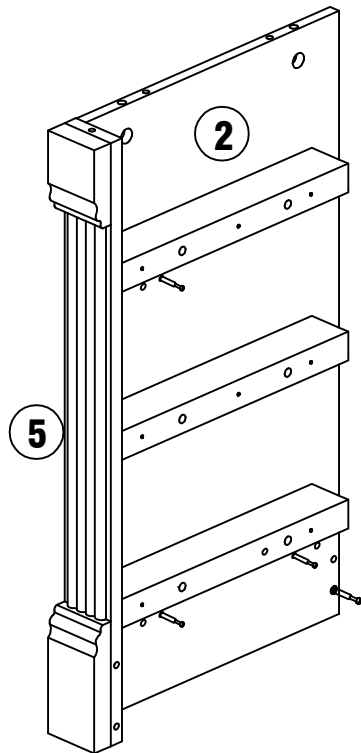
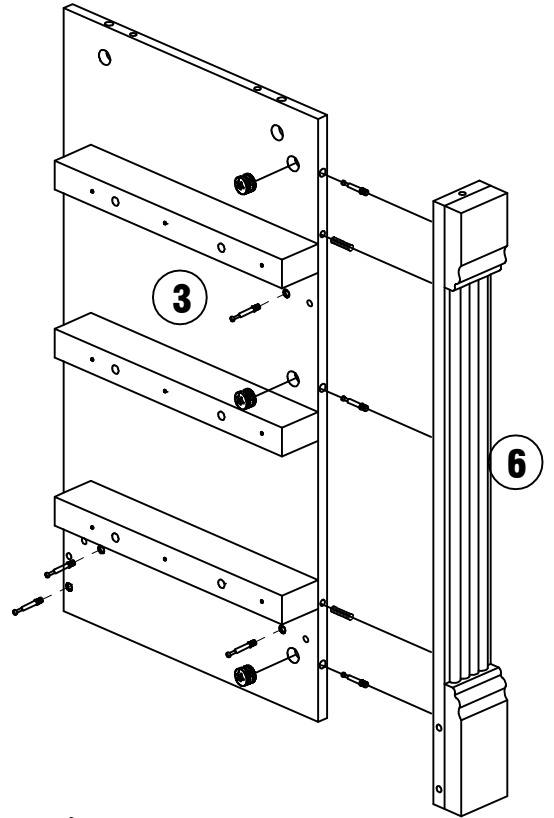
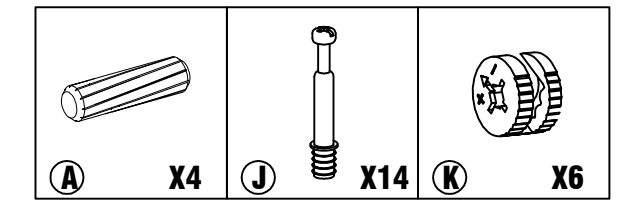
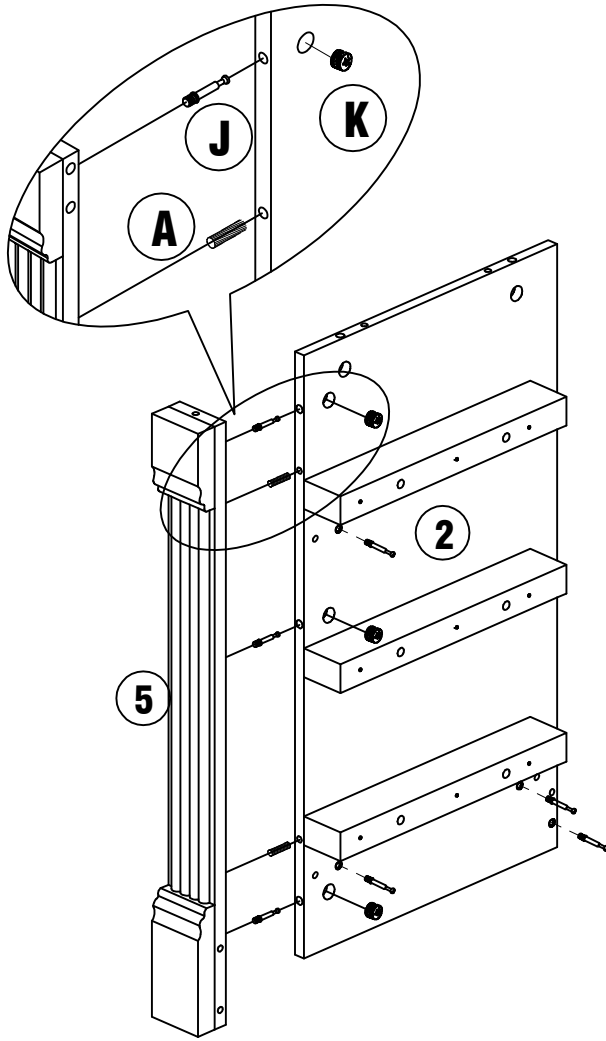
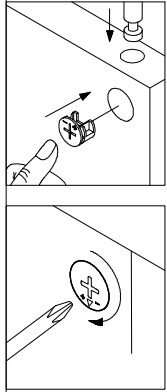
STEP 2



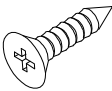
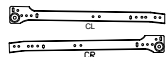
STEP 3

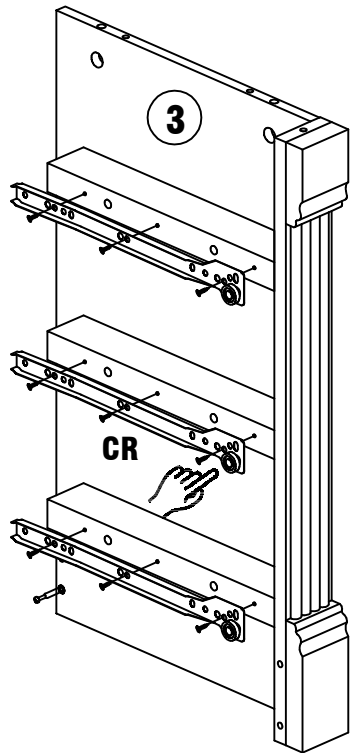
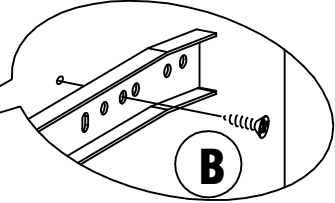
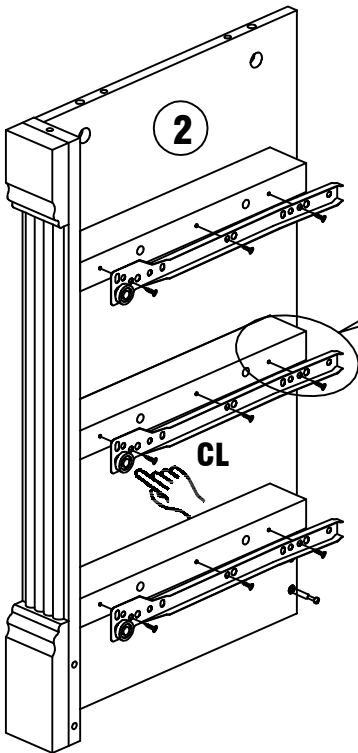
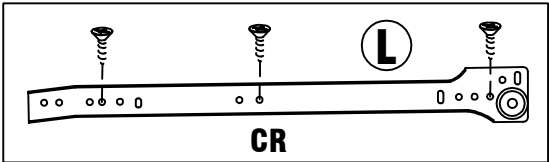
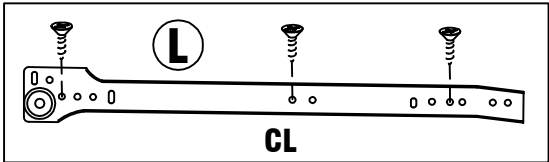


STEP 4





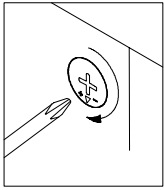
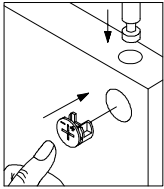
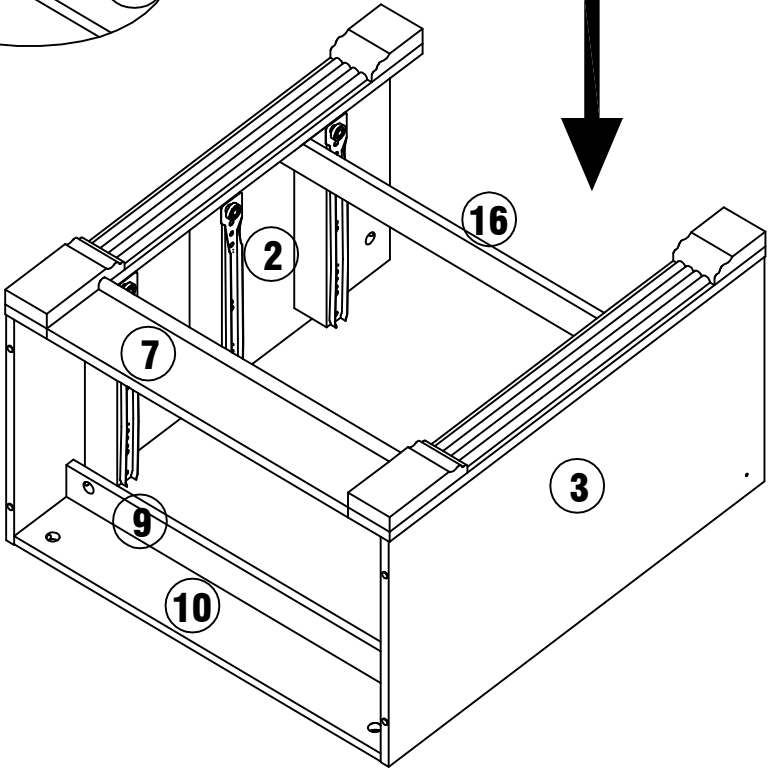
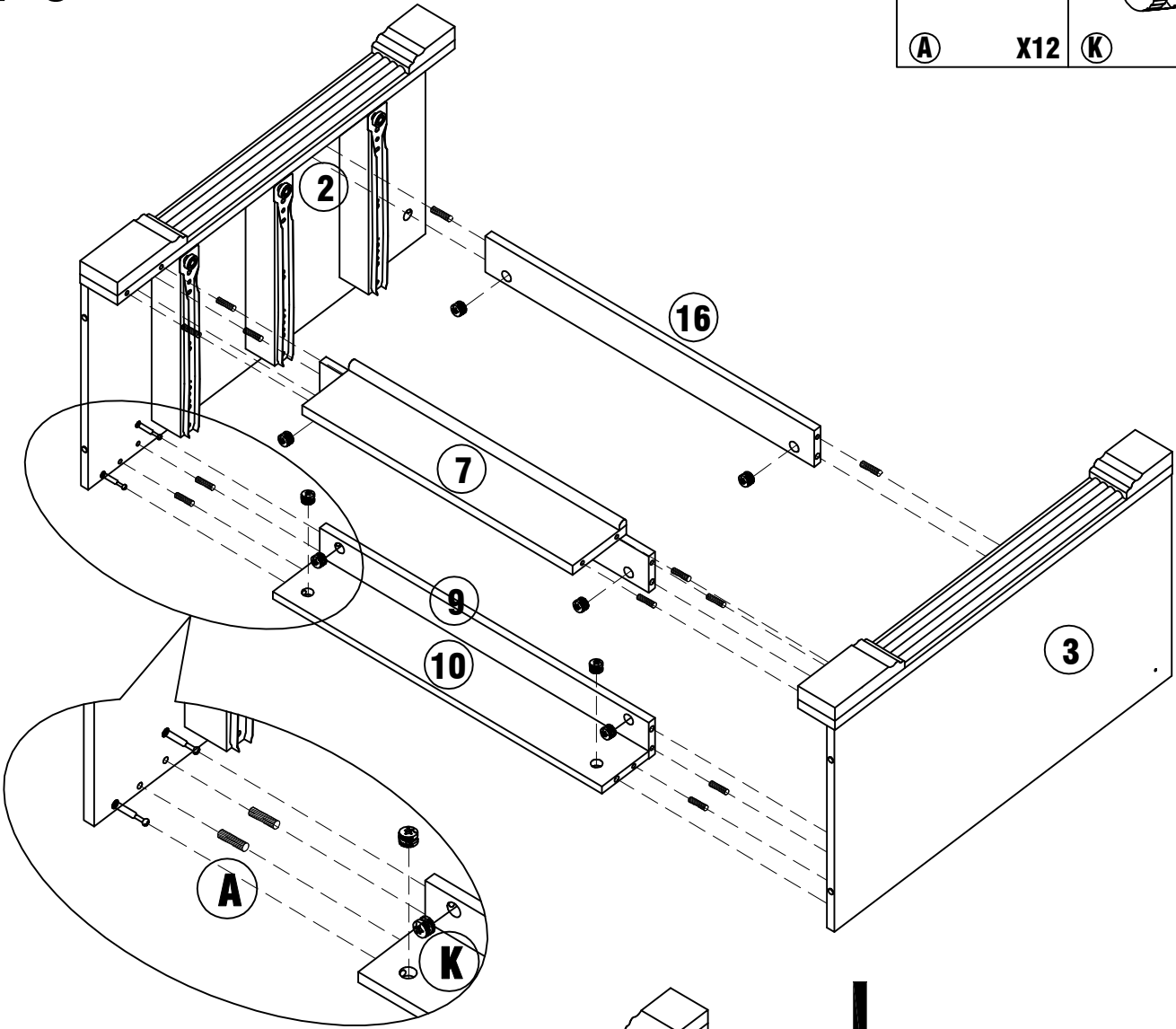
STEP 5

	
(B)	X18
(L)	X3

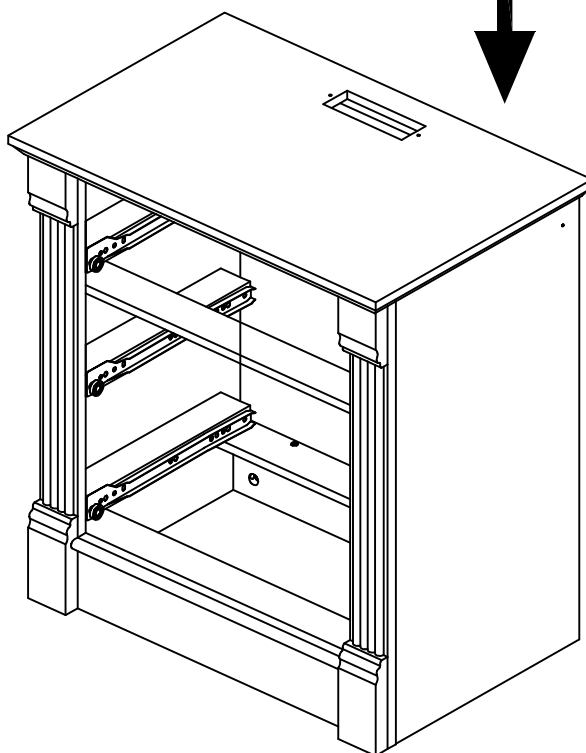
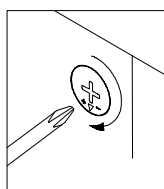
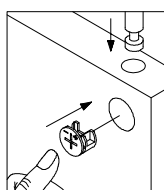
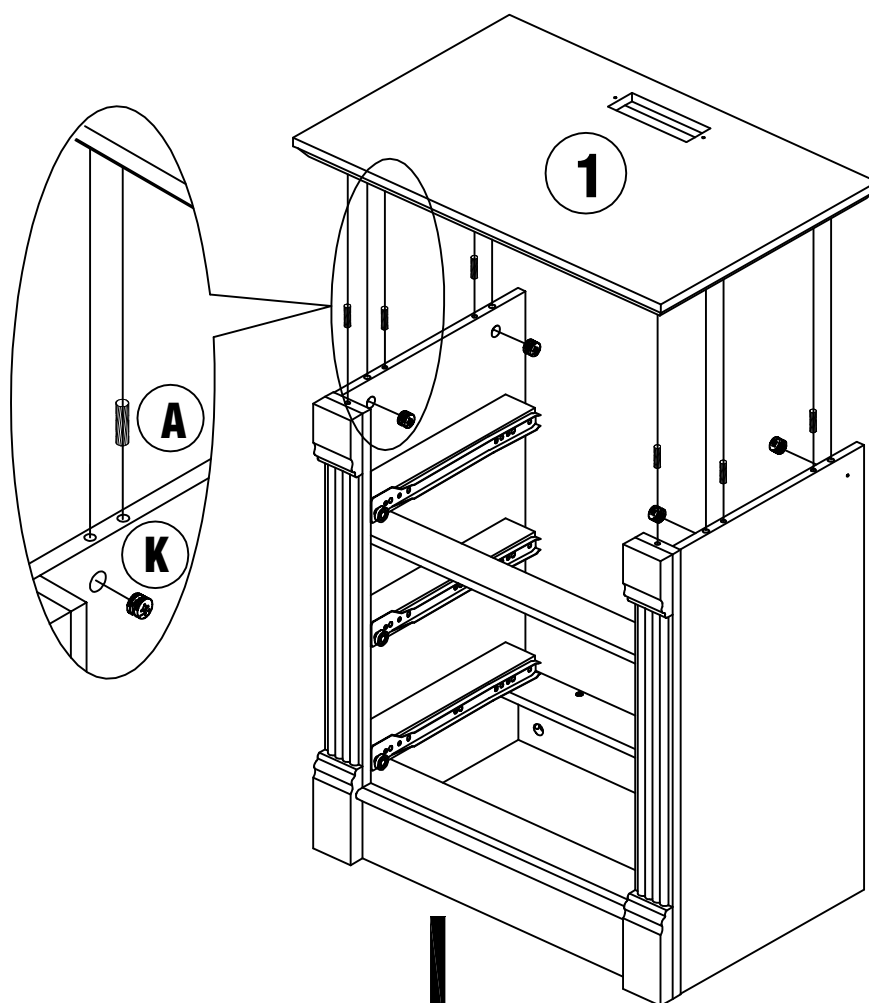
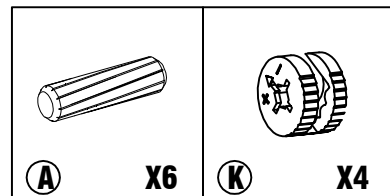


STEP 6

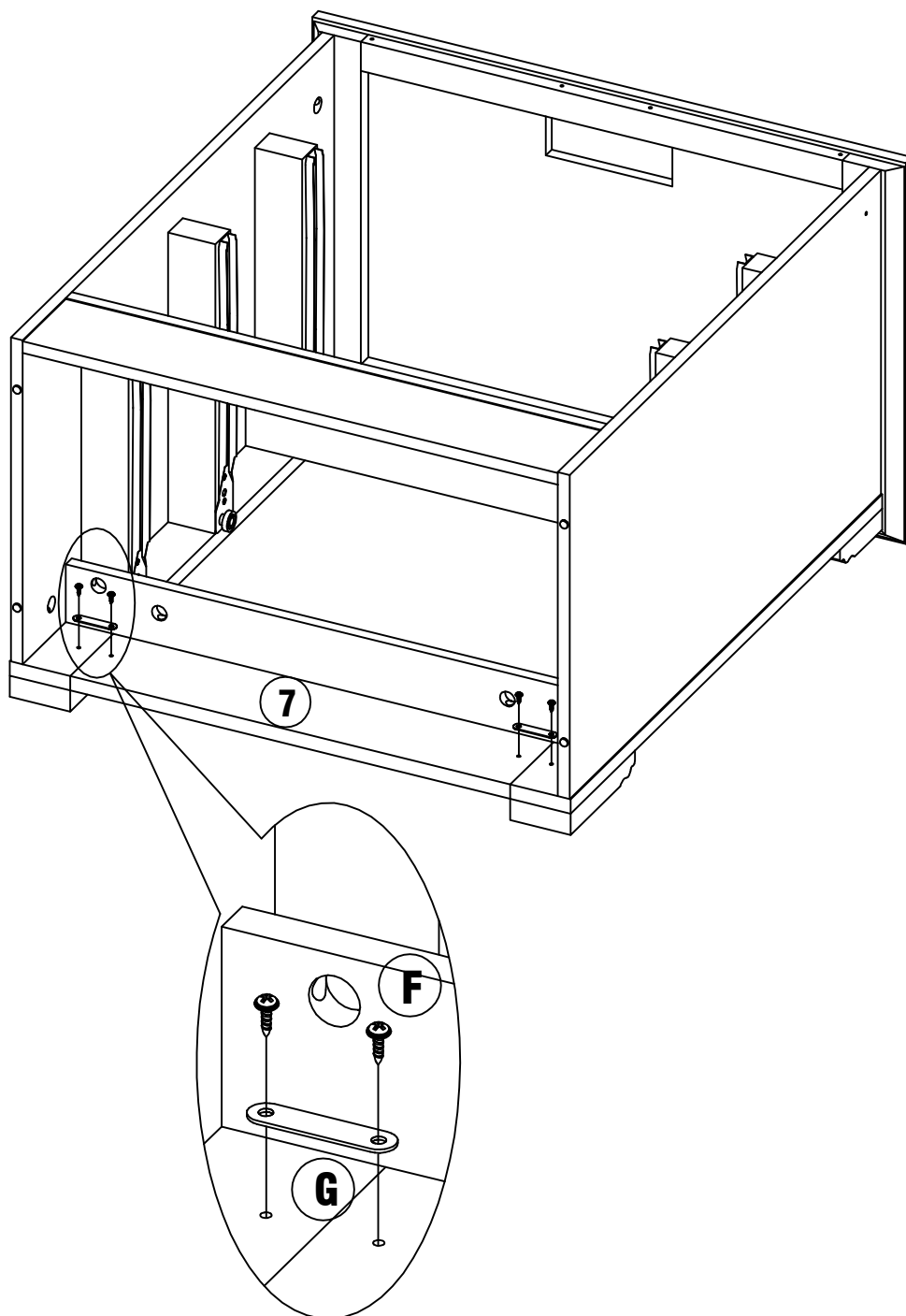
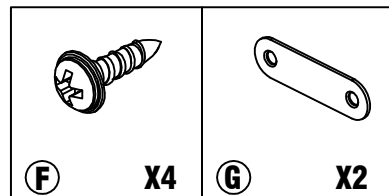
	
A	K
X12	X8



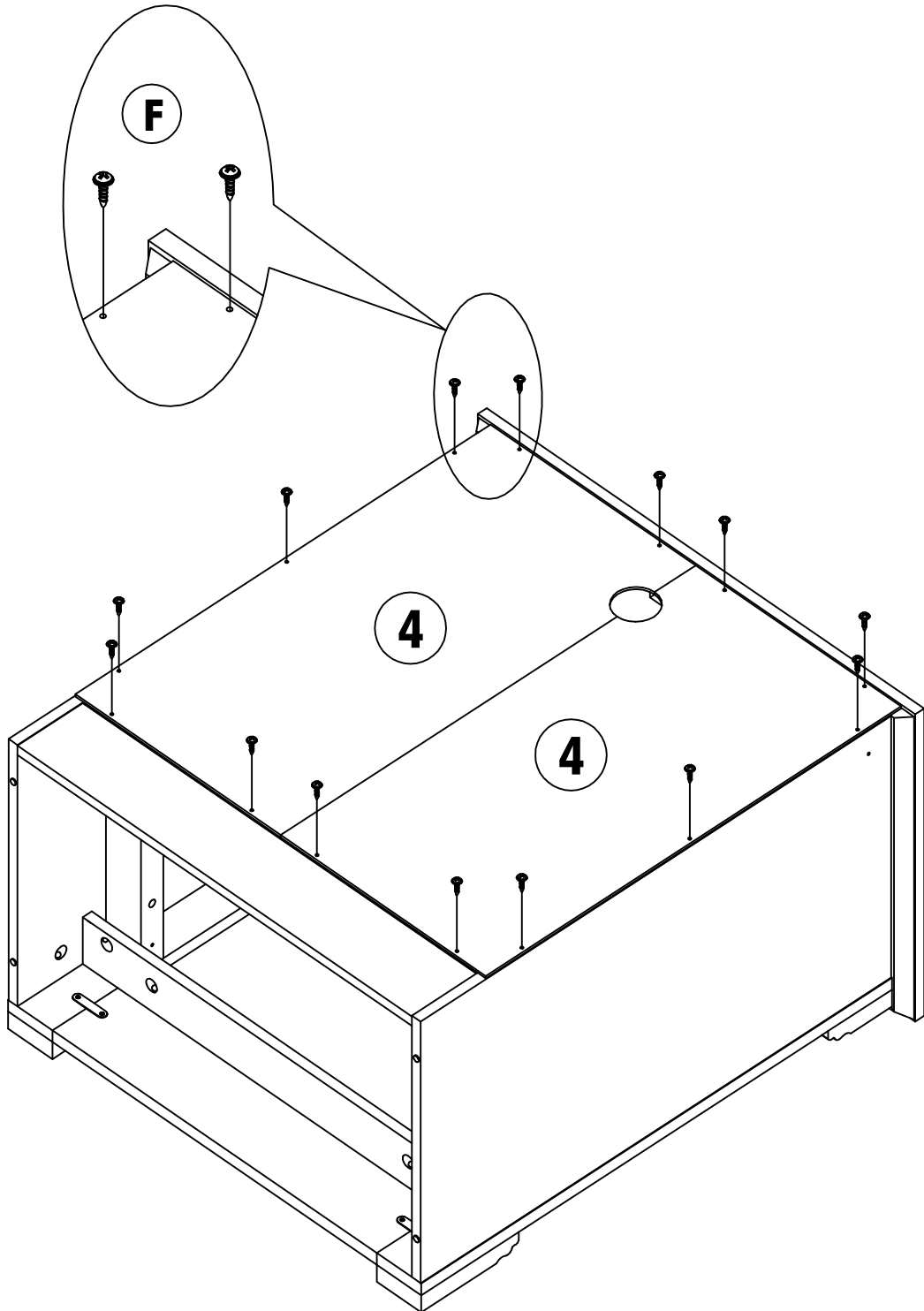
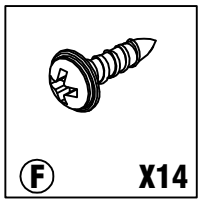
STEP 7



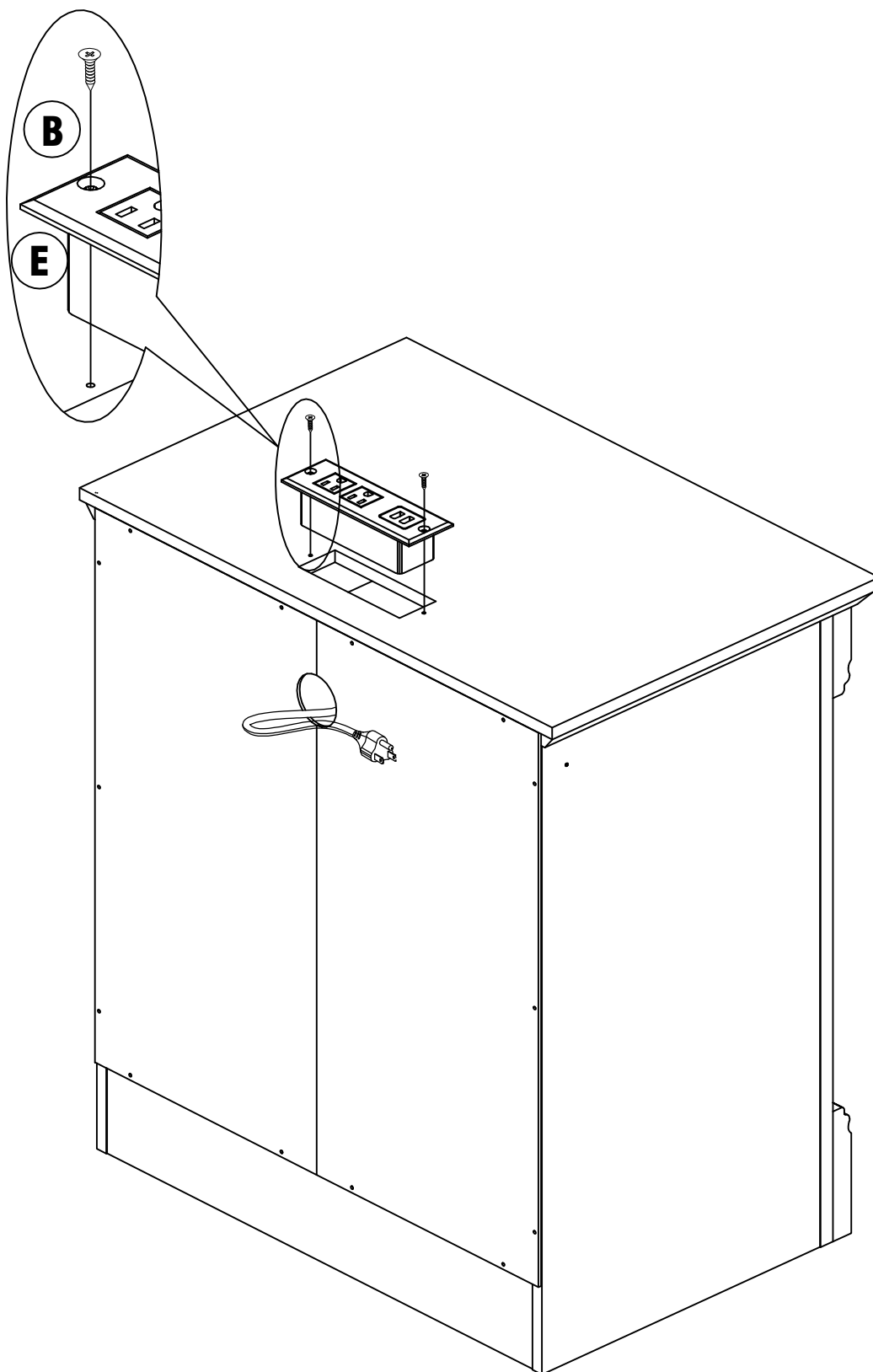
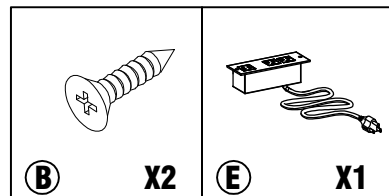
STEP 8



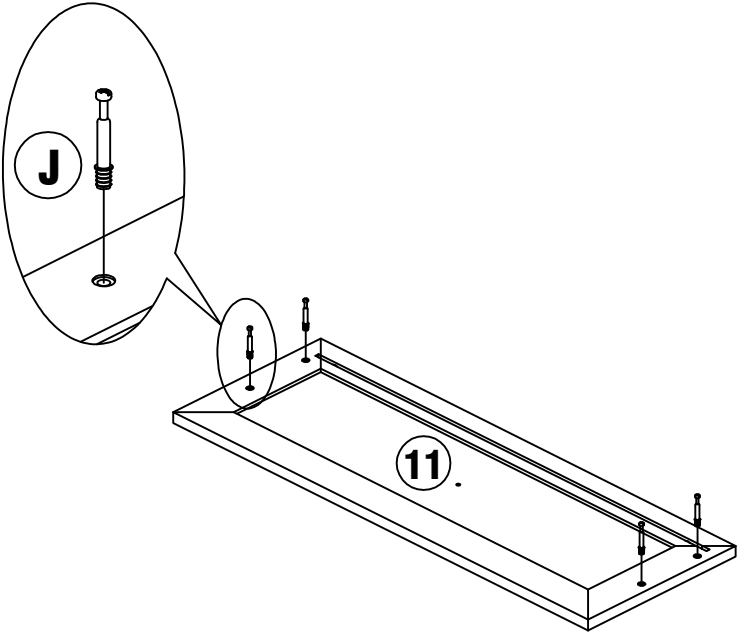
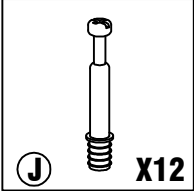
STEP 9



STEP 10

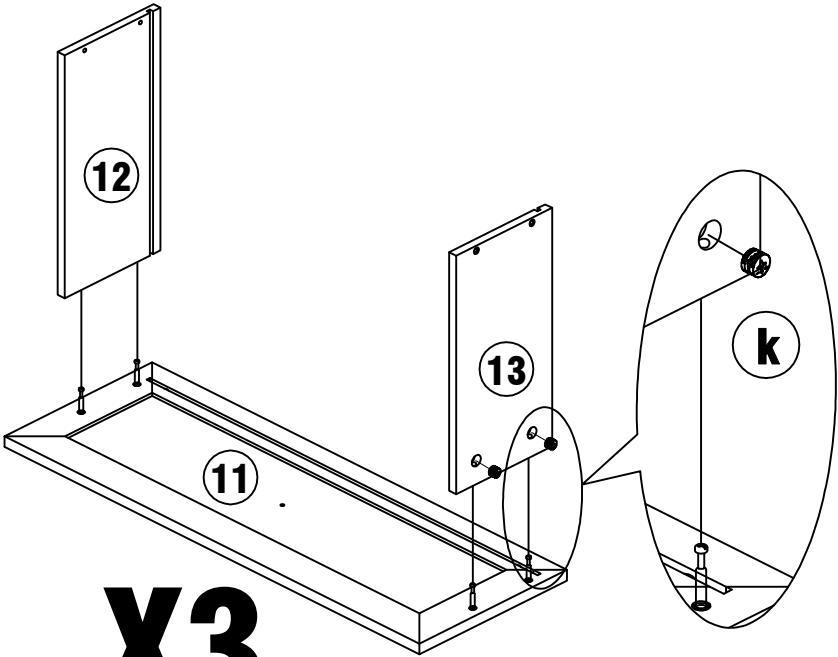
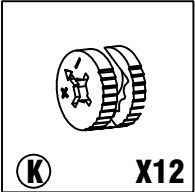


STEP 11

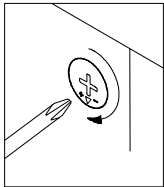
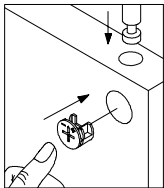


X3

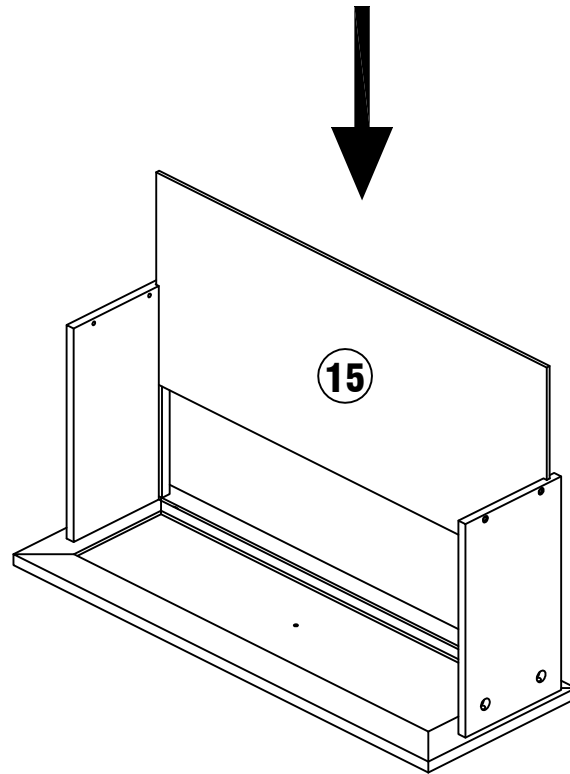
STEP 12



X3

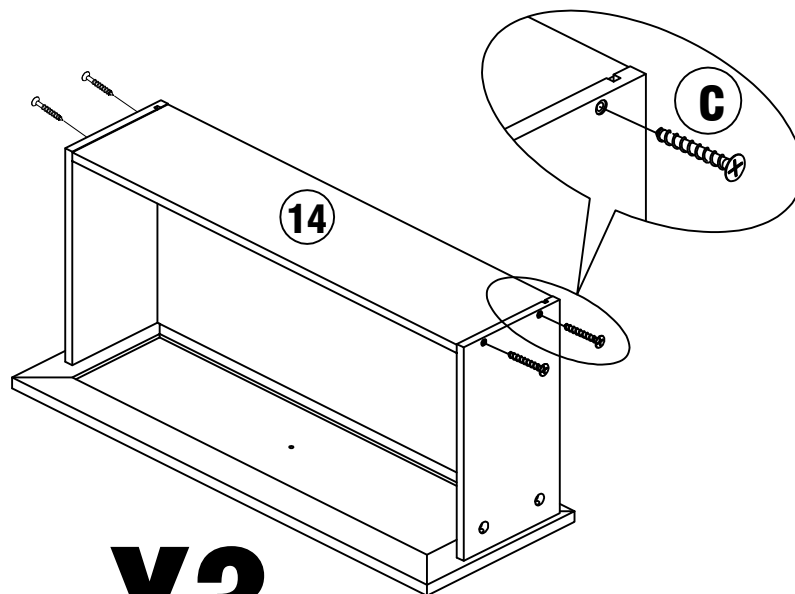
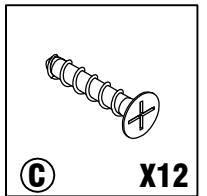


STEP 13



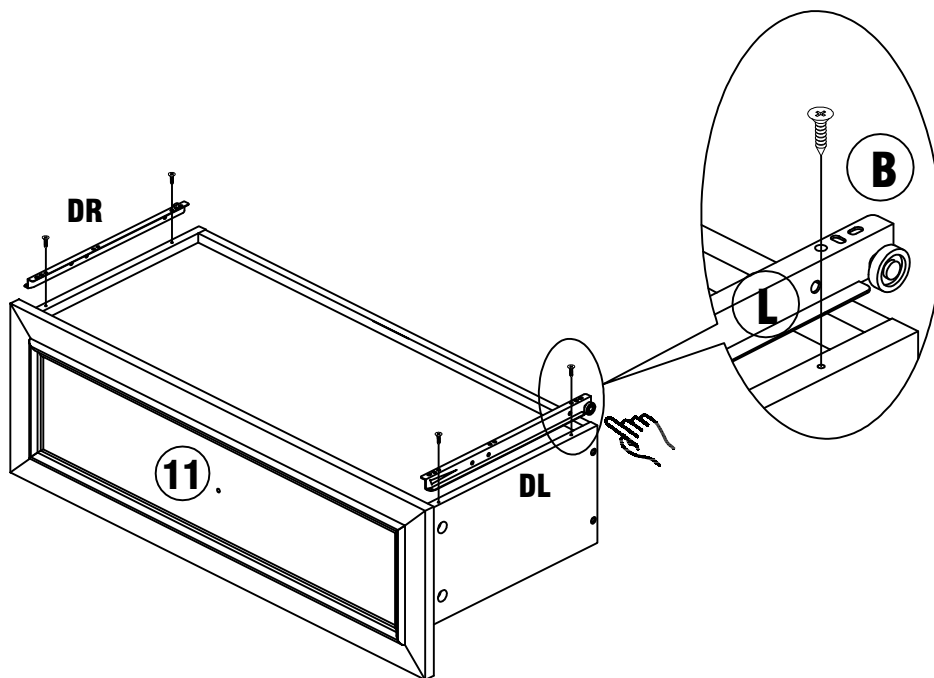
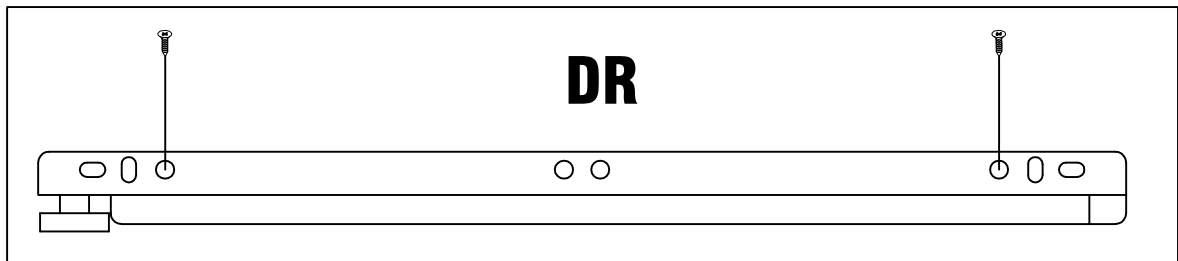
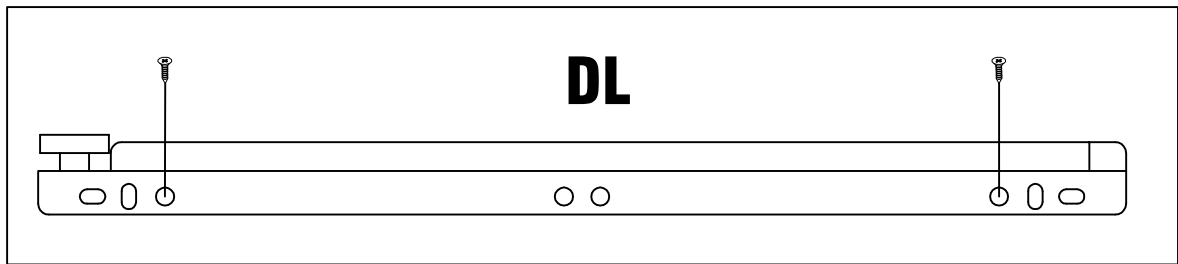
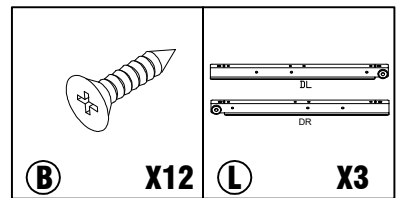
X3

STEP 14



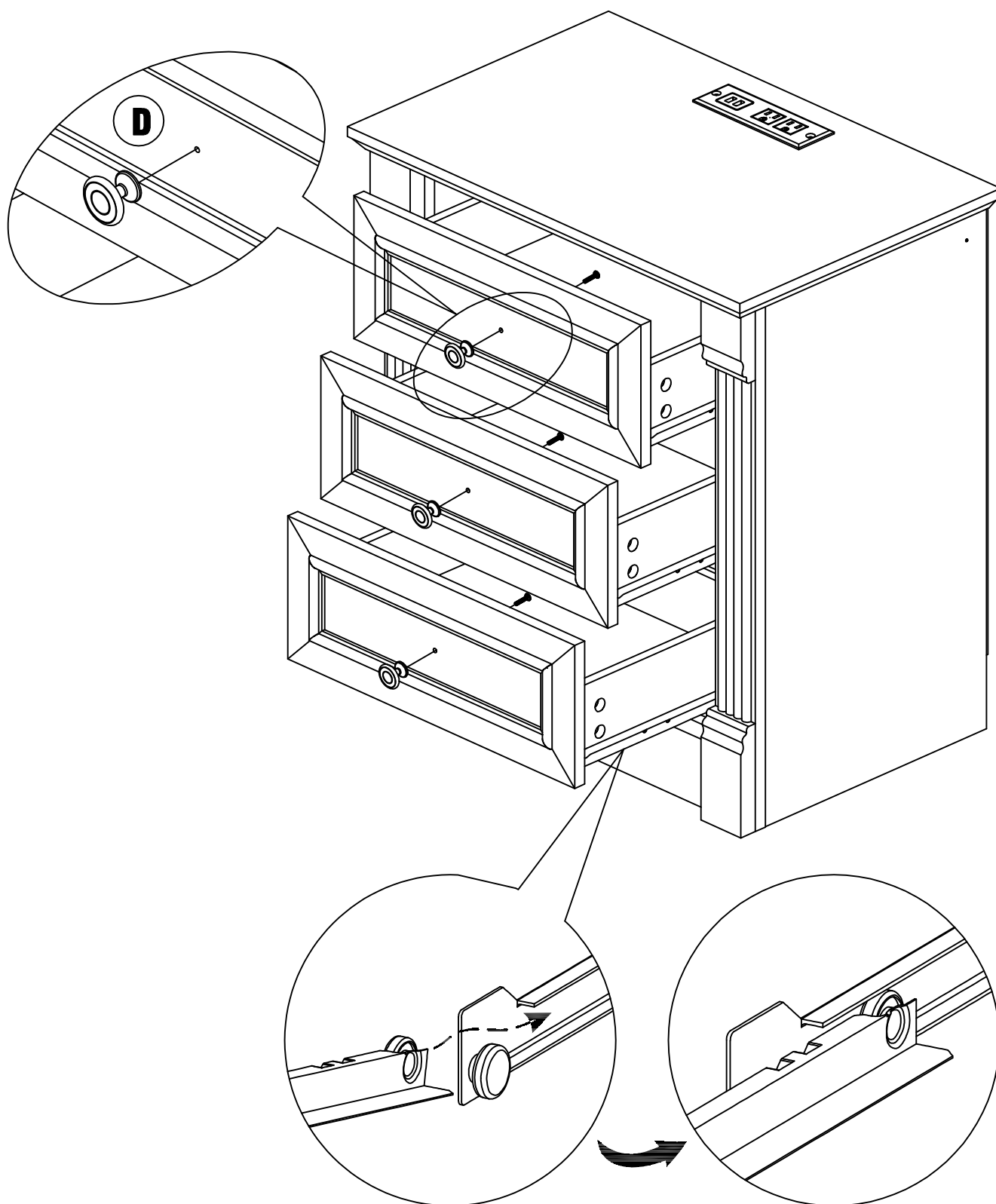
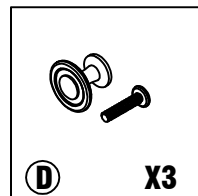
X3

STEP 15



X3

STEP 16



STEP 17

