

## ASSEMBLING & INSTALLATION INSTRUCTIONS

The drawing shown may not exactly match the product enclosed.  
However, the installation instructions do apply to this product.

- ◆ **WARNING! SHUT POWER OFF AT FUSE OR CIRCUIT BREAKER.**
- ◆ **ATTENTION! COUPER LE COURANT AU FUSIBLE OU UN DISJONCTEUR.**

### ASSEMBLING THE FIXTURE (Fig.1).

1. Shut off the power at the circuit breaker and remove old fixture from ceiling, including the old single bar.
2. Carefully unpack new fixture and lay all the parts on a clear surface.
3. Attach the mounting plate (A) to the junction box using screws (B). The side of the mounting plate marked "GND" must face out.  
**The junction box is not included.**
4. Determine the desired hanging height and thread rods (E & F & G) to the fixture body (H).
5. Feed fixture wires through center tube (G & F & E). Connecting center part (G & F & E) to the fixture body (H) and turn clockwise until firmly tightened.
6. Connecting canopy (C) to the tube (E) and turn clockwise until firmly tightened.
7. Install the light bulb (Not included) in accordance with the fixture specifications. **NOTE: DO NOT EXCEED THE SPECIFIED WATTAGE!** By turning the metal plate on the bottom.

### CONNECTING THE WIRES (Fig.2)

1. Take the black wire from the ceiling junction box and the smooth wire leg from the fixture and twist bare ends together. Twist wire connector onto end of wire until snug.
2. Repeat same process with white junction box wire and ribbed wire leg of fixture wire.  
NOTE: Twist wires together in the same direction you twist the wire connector onto wires.
3. If your junction box has a grounding wire (green or bare copper), attach this wire and the bare copper wire from the fixture together as **step 1**. If junction box has no ground wire, attach the bare copper fixture wire to the green ground screw on the mounting plate.
4. Put the lamp body onto the ceiling, aligning the screws on the mounting plate with the mounting holes on the canopy (C). Lock it securely with the ball nut (D).

**Your installation is now complete. Return power to the junction box and test the fixture.**

FIG.1

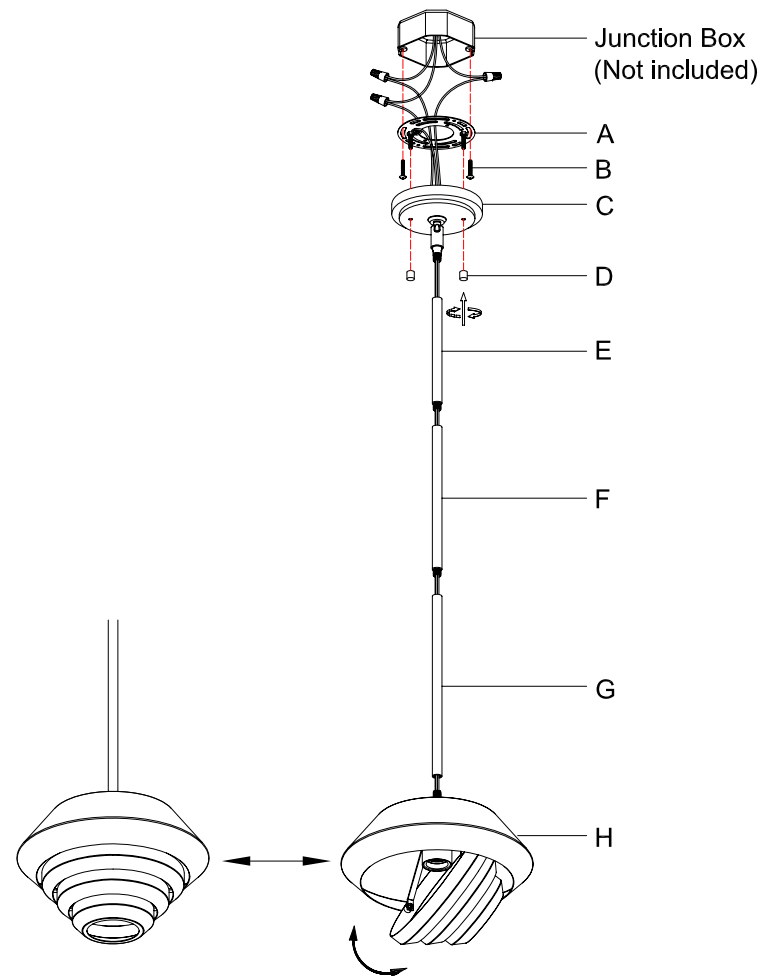
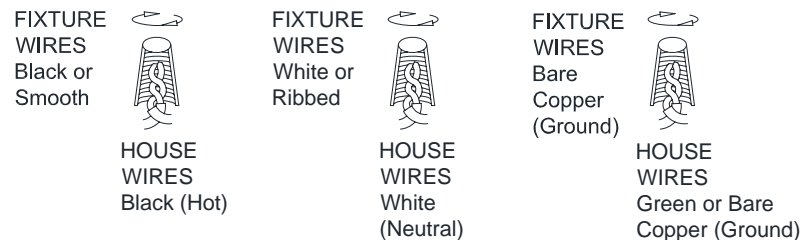


FIG.2



Thank you for purchasing this product.  
Need assistance with parts or assembly? Please call customer service  
Or visit us on-line