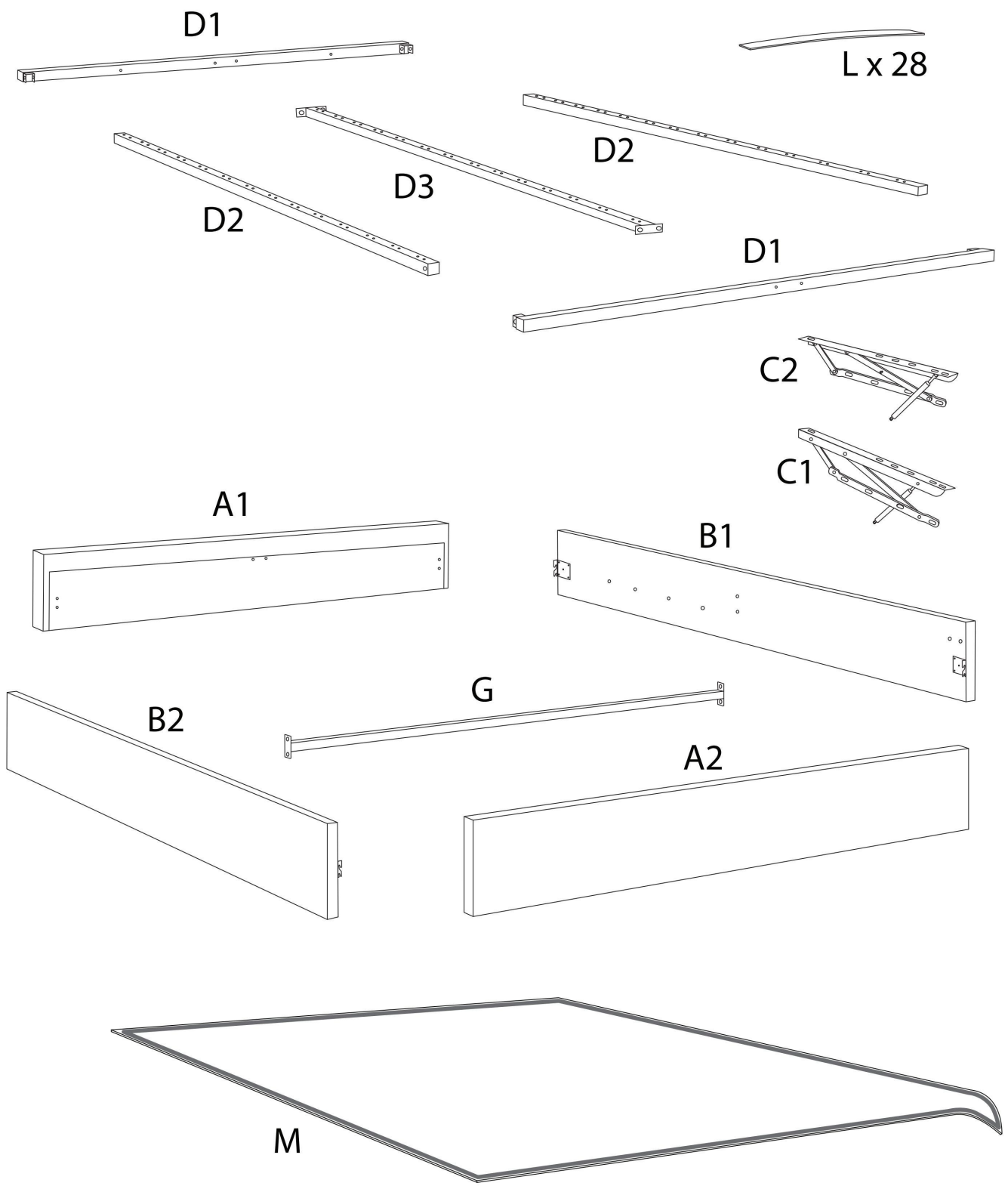
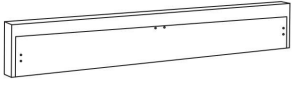
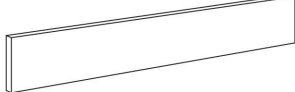
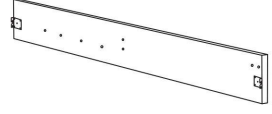
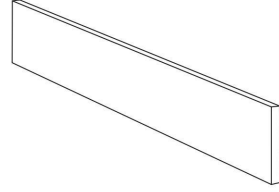
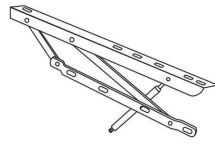
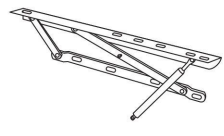

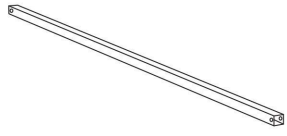
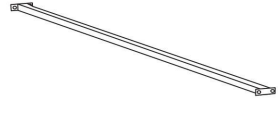
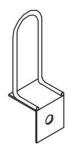


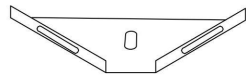
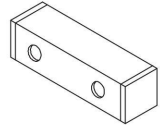
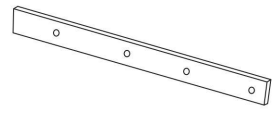

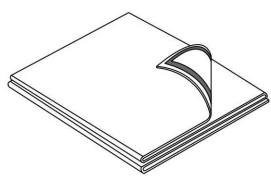
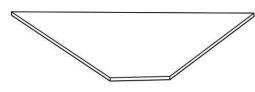
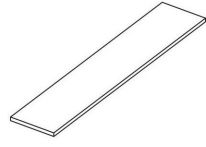
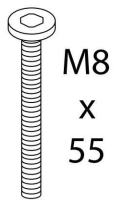

		2



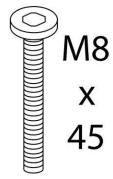
<p>A1</p>  <p>x 1</p>	<p>A2</p>  <p>x 1</p>	<p>B1</p>  <p>x 1</p>	<p>B2</p>  <p>x 1</p>
<p>C1</p>  <p>x 1</p>	<p>C2</p>  <p>x 1</p>	<p>D1</p>  <p>x 2</p>	<p>D2</p>  <p>x 2</p>
<p>D3</p>  <p>x 1</p>	<p>E</p>  <p>x 2</p>	<p>F</p>  <p>x 1</p>	<p>G</p>  <p>x 1</p>
<p>I</p>  <p>x 2</p>	<p>J</p>  <p>x 2</p>	<p>K</p>  <p>x 2</p>	<p>L</p>  <p>x 28</p>
<p>M</p>  <p>x 1</p>	<p>N</p>  <p>x 2</p>	<p>O</p>  <p>x 3</p>	

1



x 4

2



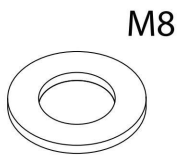
x 14

3



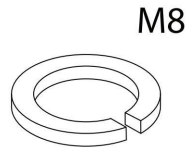
x 8

4



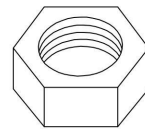
x 26

5



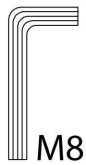
x 26

6



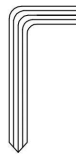
x 14

7



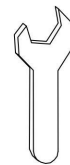
x 1

8



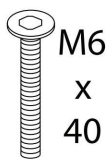
x 1

9



x 1

10



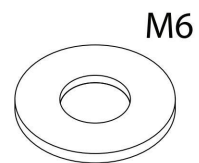
x 8

11



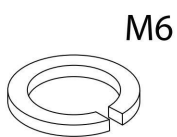
x 12

12



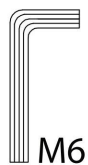
x 20

13



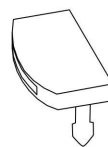
x 20

14



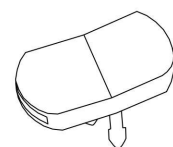
x 1

15





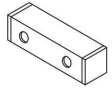




x 28

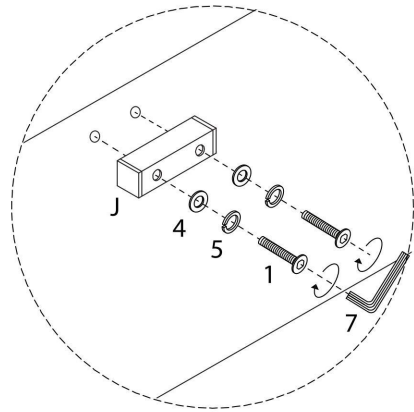
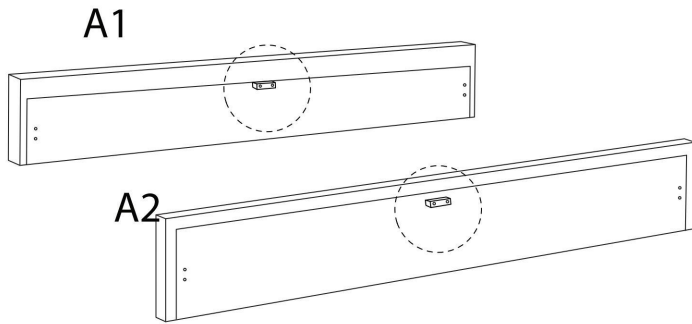
16



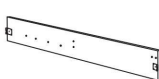





x 14

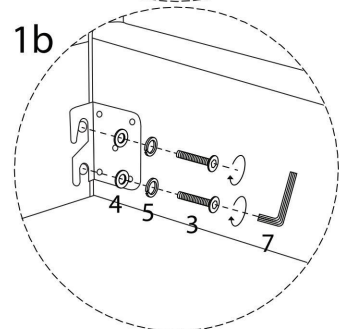
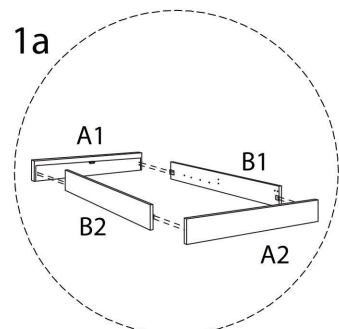
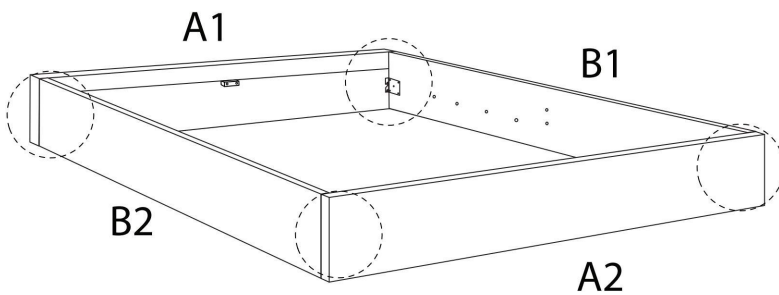
1

A1	A2	J	1	4	5	7
						
x 1	x 1	x 2	x 4	x 4	x 4	x 1

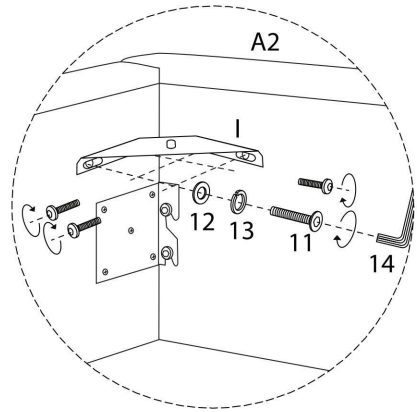
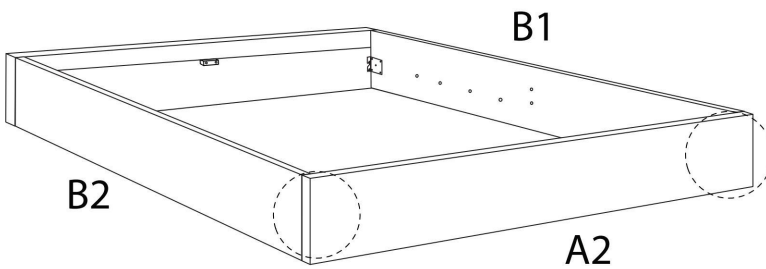
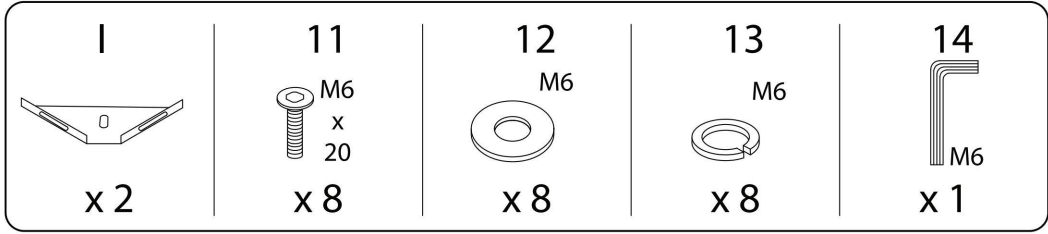


2

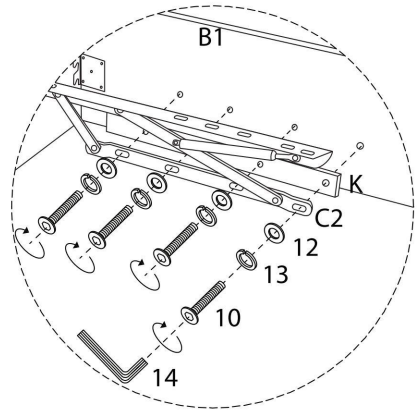
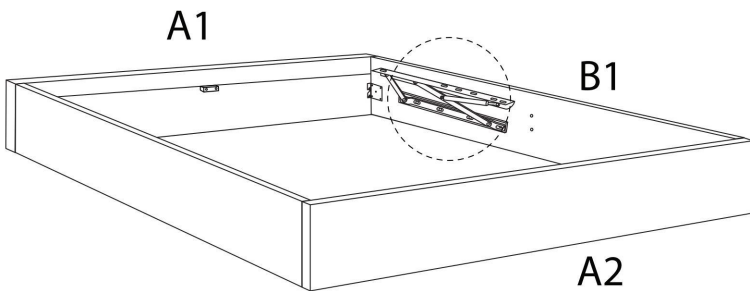
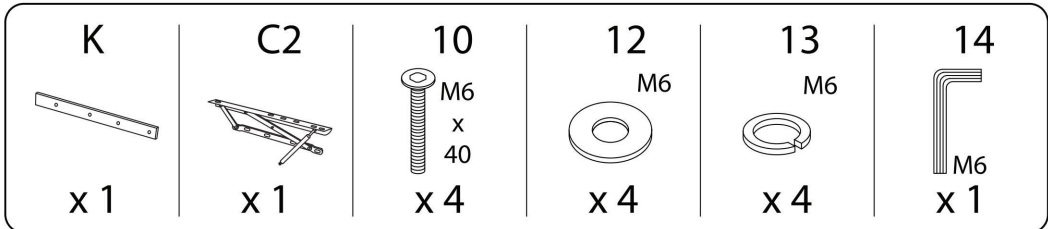
B1	B2	3	4	5	7
					
x 1	x 1	x 8	x 8	x 8	x 1



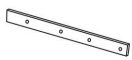
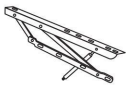
3

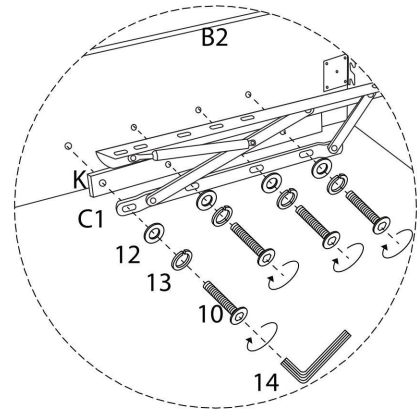
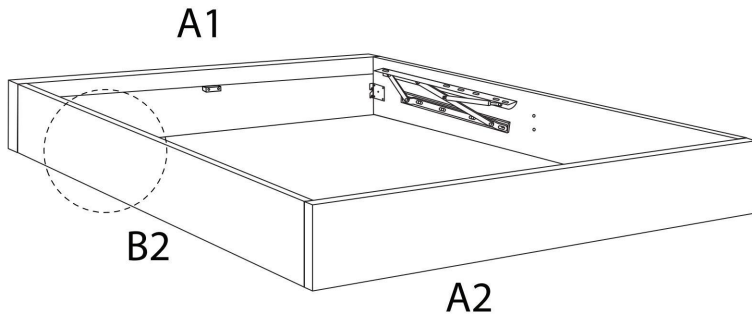


4




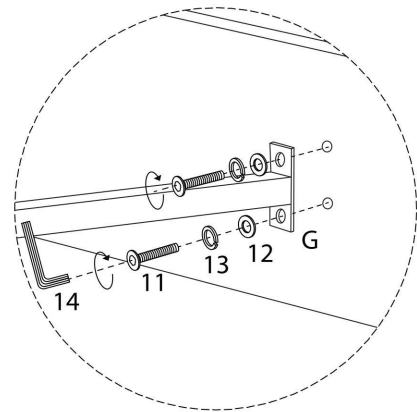
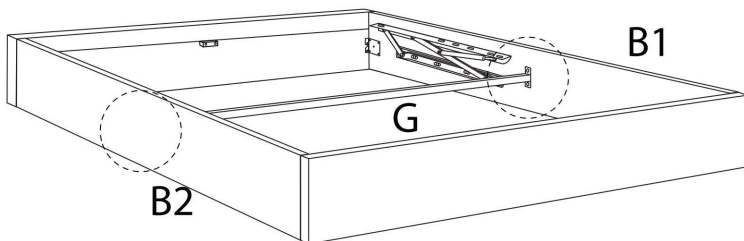
5

K  x 1	C1  x 1	10 M6 x 40 x 4	12 M6 x 4	13 M6 x 4	14 M6 x 1
--	---	-----------------------------------	------------------------	------------------------	------------------------

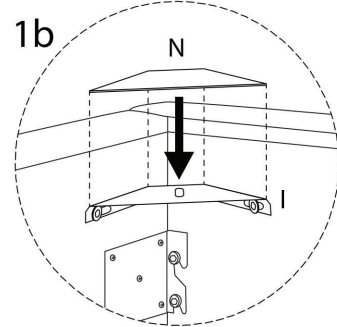
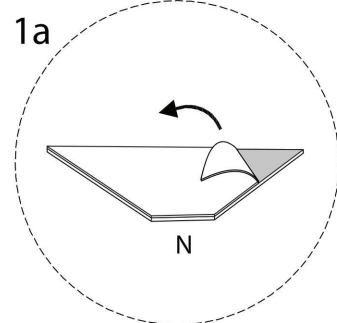
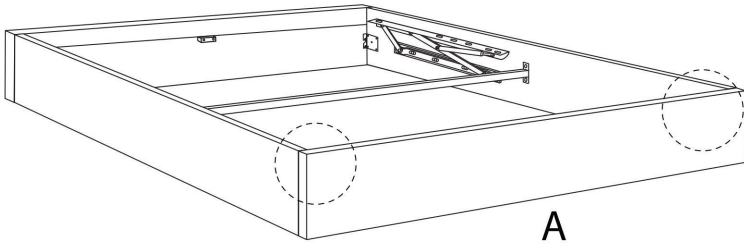
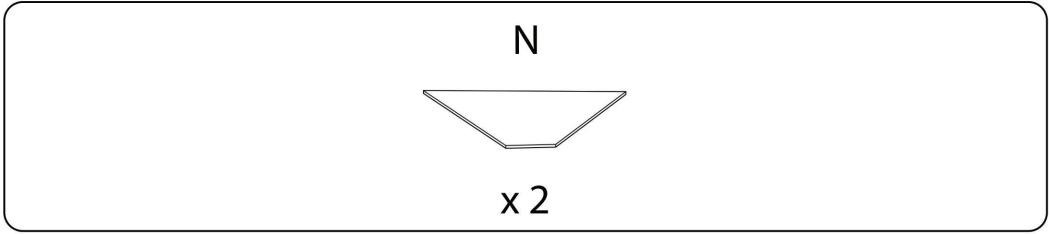


6

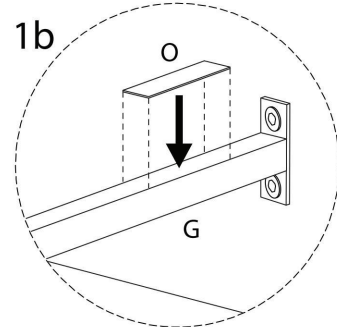
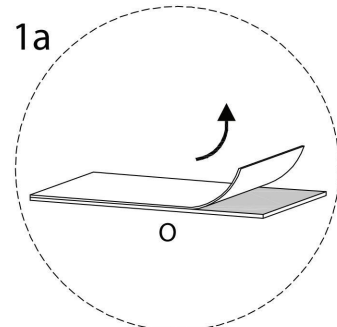
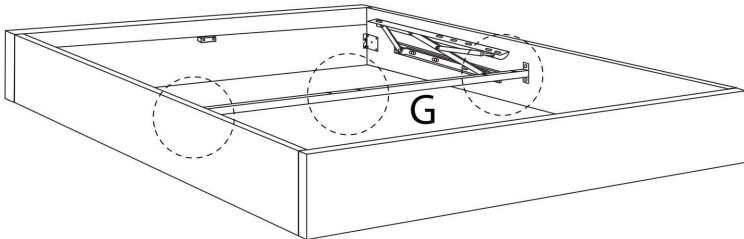
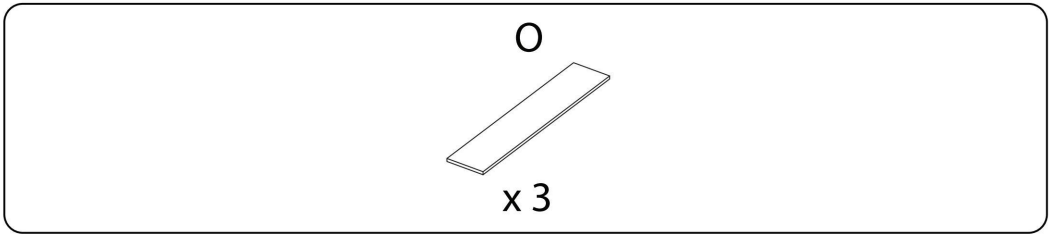
G  x 1	11 M6 x 20 x 4	12 M6 x 4	13 M6 x 4	14 M6 x 1
--	-----------------------------------	------------------------	------------------------	------------------------




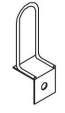
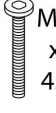
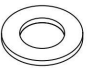
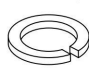
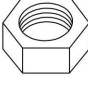

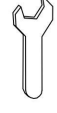
7

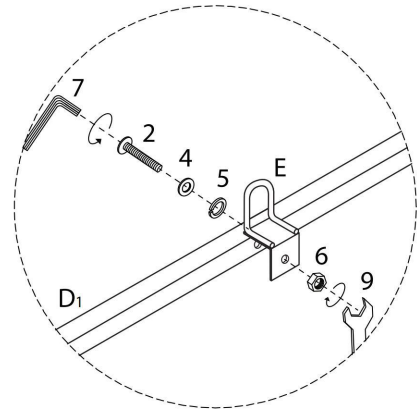
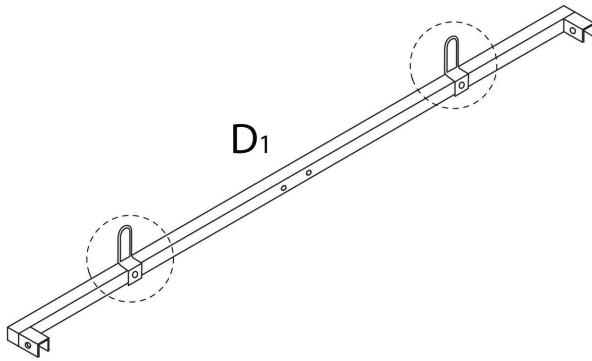


8

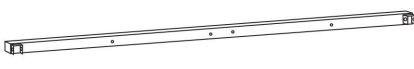



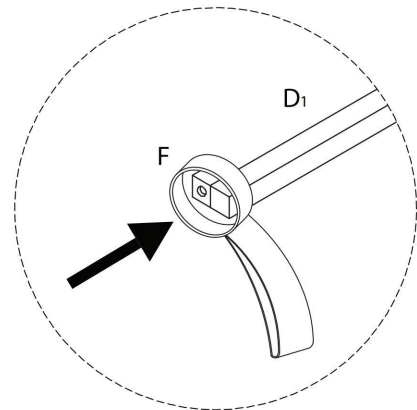
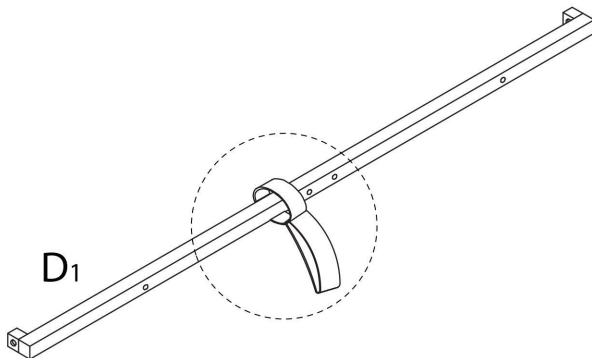
9

D ₁	E	2	4	5	6	7	9
							
x 1	x 2	x 2	x 2	x 2	x 2	x 1	x 1




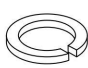





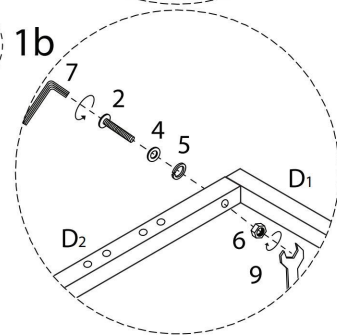
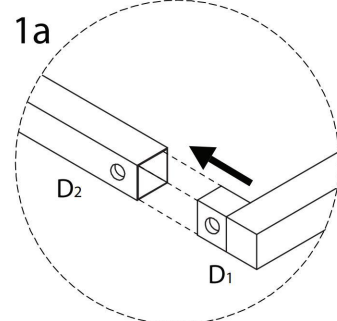
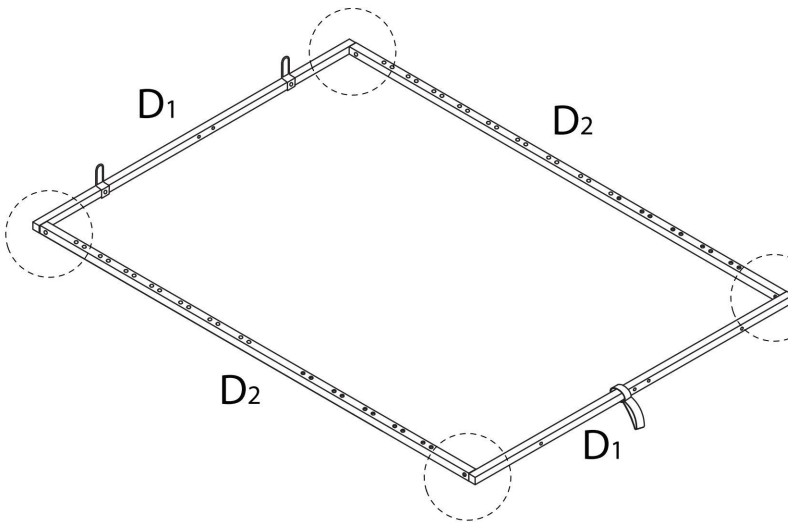
10

D ₁	F
	
x 1	x 1


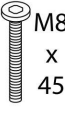
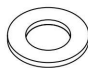
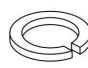





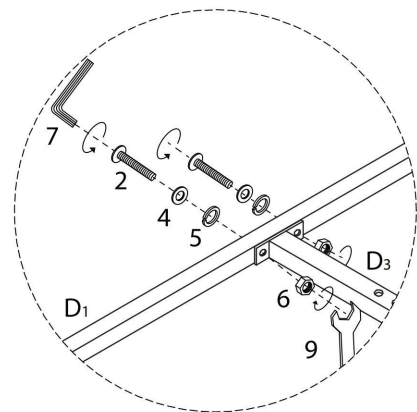
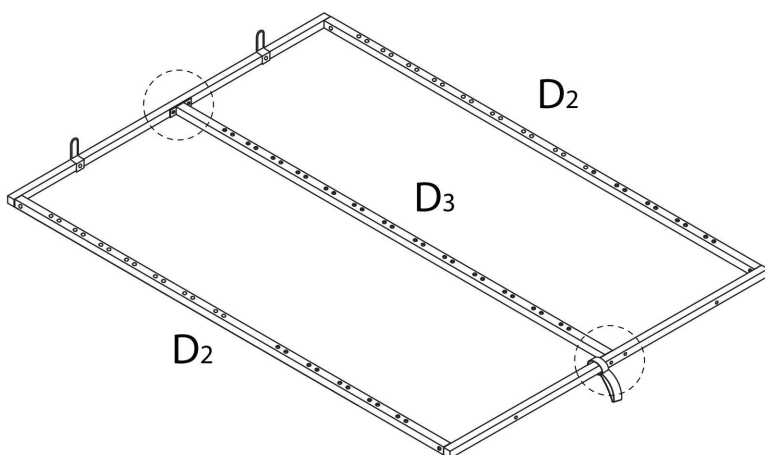
11

D ₂  x 2	2 M8 x 45  x 4	4 M8  x 4	5 M8  x 4	6  x 4	7 M8  x 1	9  x 1
--	---	---	---	--	---	---



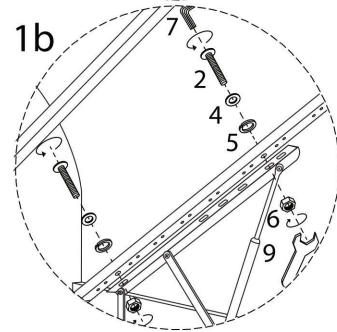
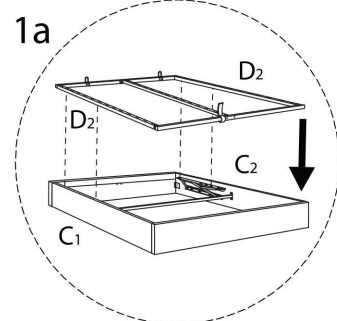
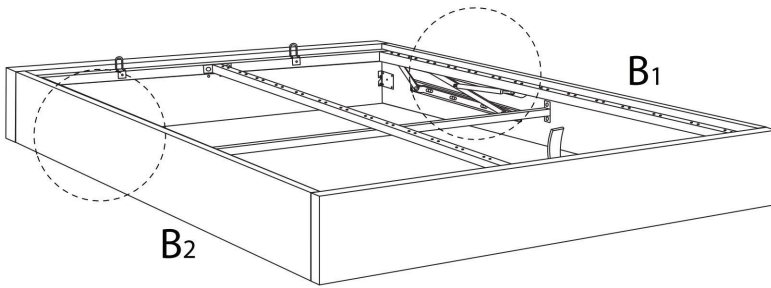
12

D ₃  x 1	2 M8 x 45  x 4	4 M8  x 4	5 M8  x 4	6  x 4	7 M8  x 1	9  x 1
--	---	---	---	--	---	---



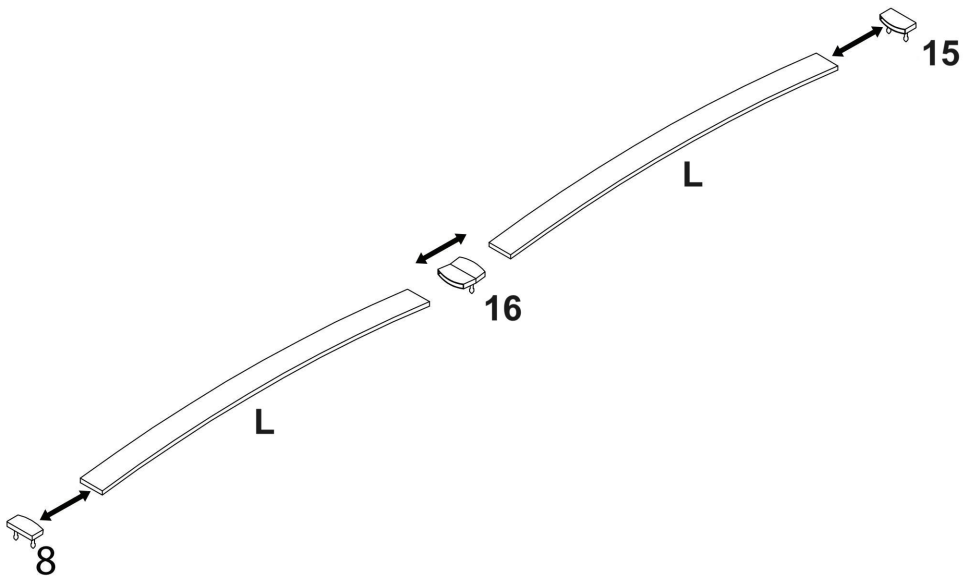
13

2 M8 x 45 x 4	4 M8 x 4	5 M8 x 4	6 x 4	7 M8 x 1	9 x 1
------------------------	----------------	----------------	----------	----------------	----------

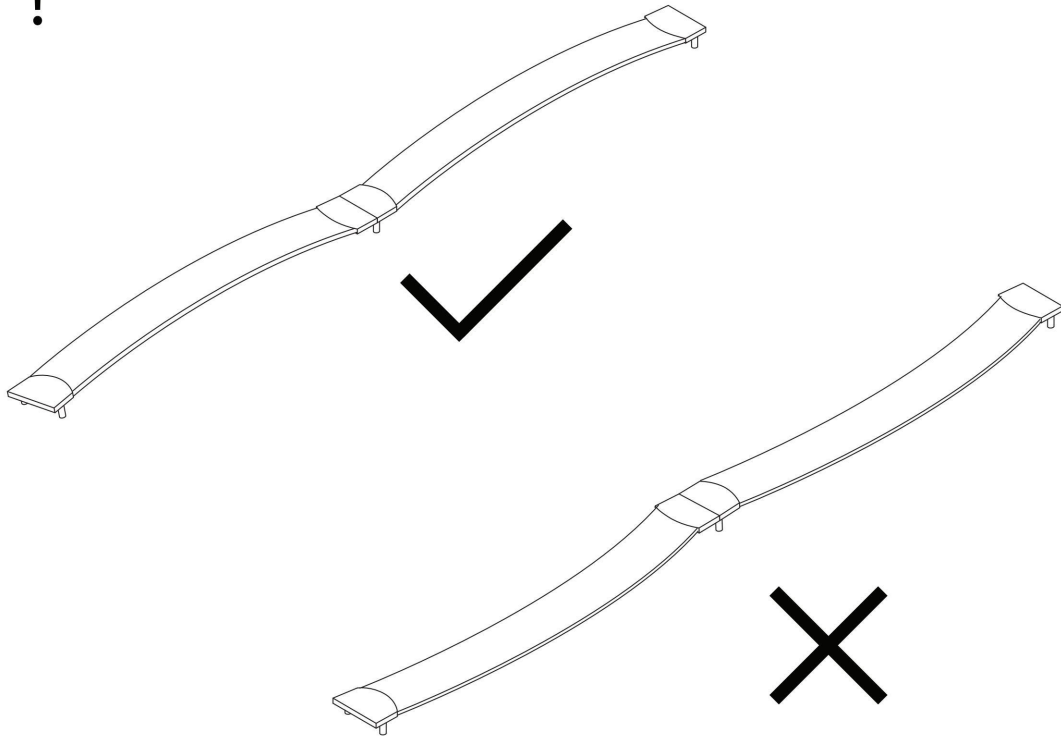


14 x 14

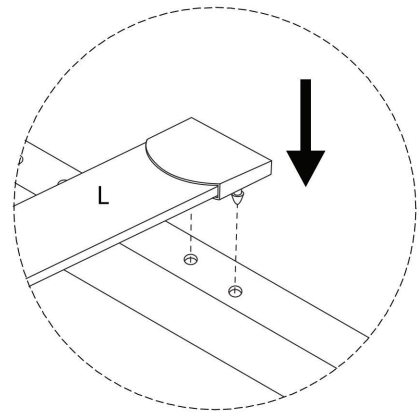
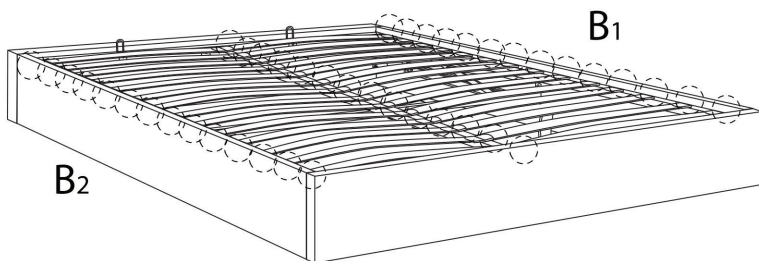
L x 2	15 x 2	16 x 1
----------	-----------	-----------



!

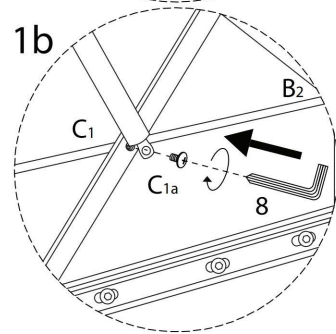
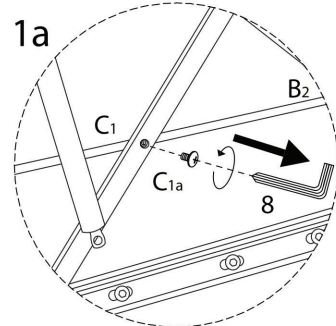
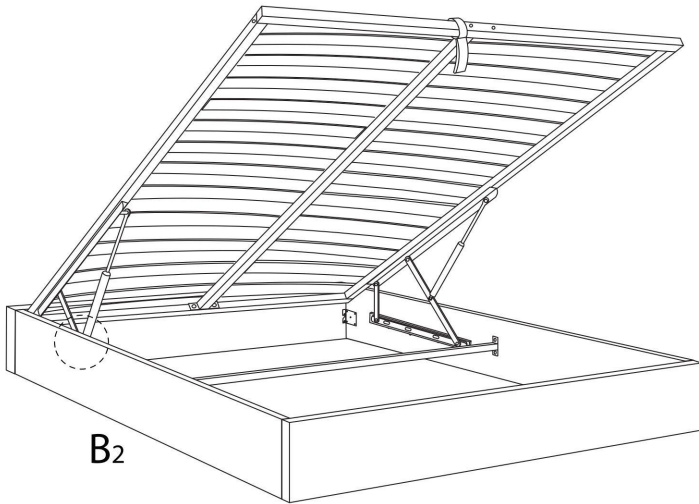


15



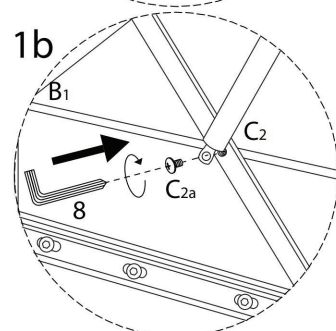
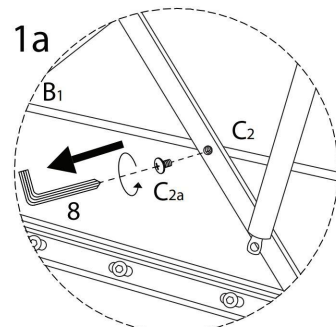
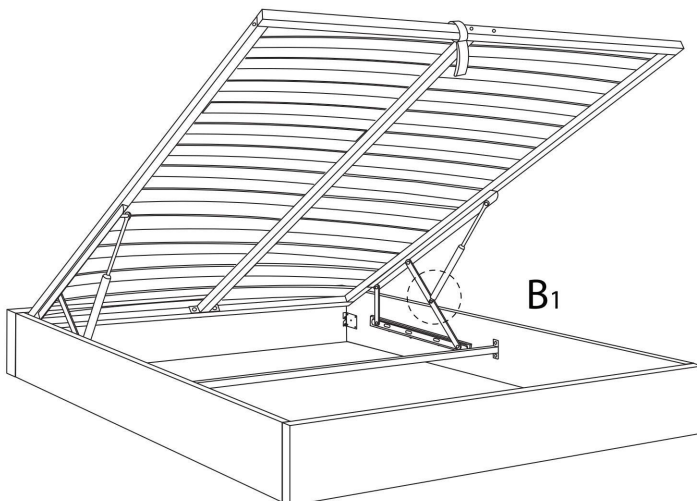
16

8
x 1



17

8
x 1



18

