



ASSEMBLY INSTRUCTION

OWNER'S MANUAL

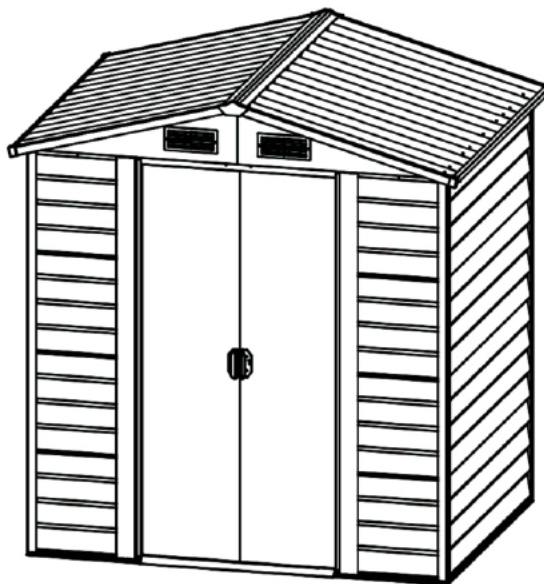
Instructions for Assembly

BEDIENUNGSANLEITUNG

Aufbauanleitung

LE MANUEL DU PROPRIÉTAIRE

Instructions de montage



Requires two people and takes
2-3 hours for Installation.

Quick & Easy Assembly

Ridge Reinforced Walls

Available in Various Sizes

Benötigt zwei Personen und dauert
2-3 Stunden für die Installation.

Schnelle und einfache Montage

Verstärkte Wände

Erhältlich in verschiedenen Größen

Nécessite deux personnes et prend
2-3 heures pour l'installation

Assemblage rapide et facile

Murs renforcés de faîte

Disponible en différentes tailles

BEFORE YOU START

Owner's Manual

Prior to Installation, It is Important that you contact your local government authority to determine if building approval is required. Study and understand this owner's manual. Important information and helpful tips will make your construction easier and more enjoyable.

Assembly instructions

Instructions are supplied in this manual and contain all appropriate information for your building model. Review all instructions before you begin. During assembly, follow the step sequence carefully for correct results. Please be aware: **this unit takes two people about one full day to complete.**

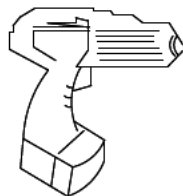
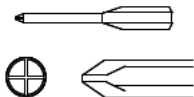
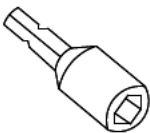
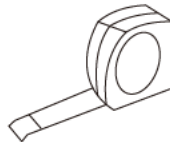
Parts

Check to be sure that you have all the necessary parts for the building.

Separate contents of the carton by the part number while reviewing parts list.

Familiarize yourself with the hardware and fasteners for easier use during construction. These are packaged within the carton. Note that extra fasteners have been supplied for your convenience.

TOOLS MAY REQUIRED



Use heavy duty gloves when handling steel sheets and flashing

PLAN AHEAD



Watch the weather:

Please be sure the day you select for installation is dry and calm.

DO NOT attempt to assemble your shed in windy weather because of risk of damage to panels, or personal injury. Be careful of wet or muddy ground.

Teamwork:

Whenever possible, two or more people should work together to assemble the building. One person can position parts or panels while the other is able to handle the fasteners and the tools.

It requires two people a full day to complete installation

PLAN AHEAD

Site Selection

- Avoid overhanging trees as much as possible as leaves will make regular cleaning necessary and broken branches are a potential hazard.
- Small trees, bushes or fences nearby can be helpful, acting as a wind break.

Site Preparation

The site must be prepared so that the base of the shed is level all round and checking with a spirit level is required.

The base can be constructed by treated timber or concrete, in order to stop the moisture getting into the shed. The shed is not designed to be built onto lawn directly. Also the ground will get muddy during rainy days.

If a concrete pad is made, it is important that this slopes towards the edges to prevent water ingress.

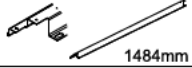
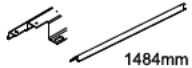
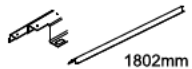





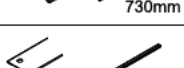

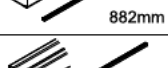

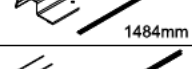
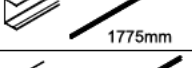
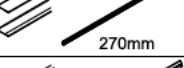
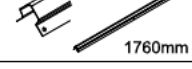
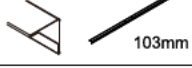

Time must be allowed for any concrete or cement to dry before building the shed on top.

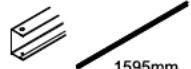




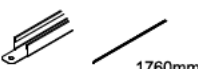





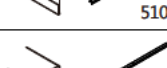
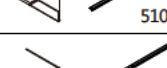
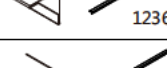

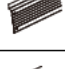

Bases can also be constructed from bricks, blocks, or mounted on a concrete pad.


















The bricks or blocks should be cemented onto firm and level concrete footings and the greenhouse frame drilled and screwed to the base.

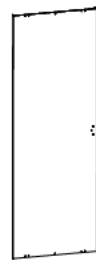

IMPORTANT NOTES:

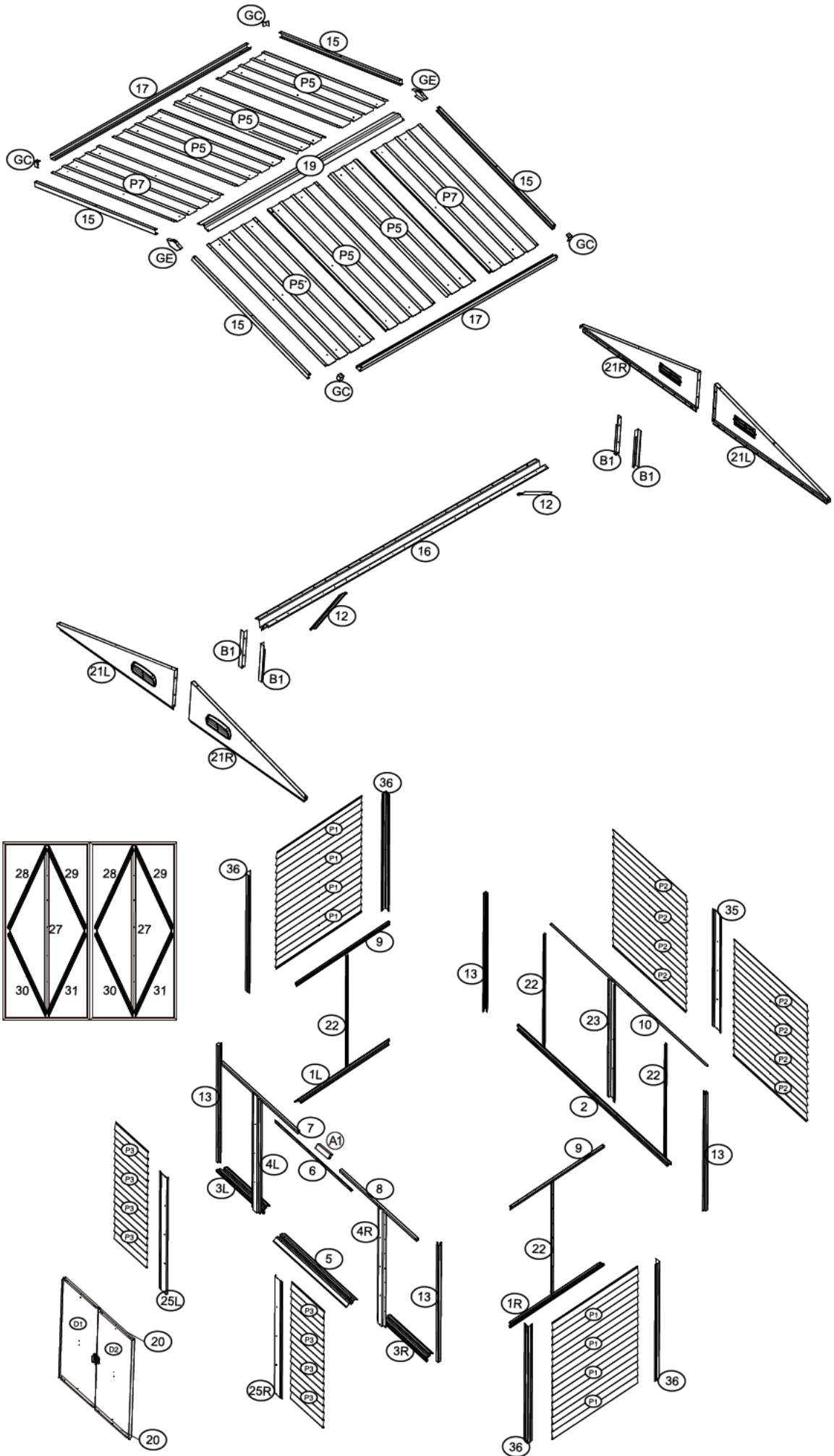
- Find someone to help you: it is much easier with someone to hold parts, pass tools ect. Also some steps require two people to lift structures together. This is not very heavy work so would suit most able-bodied people.
- Allow plenty of time: rushing often causes errors and the re-doing of incorrect assemblies. If you have never built a shed before, it can take most of a day to carefully complete the construction.
- Have the right tools to hand.
- Safety clothing as recommended in the 'Tools' section.
- Ideally lay out the parts and check that all are present before commencing construction. Lay on cloths or plastic sheets if there is any risk of scratching the parts.
- Tighten all nuts carefully, being sure not to miss any. Check the frame is square and using a spirit level to check that it is upright.

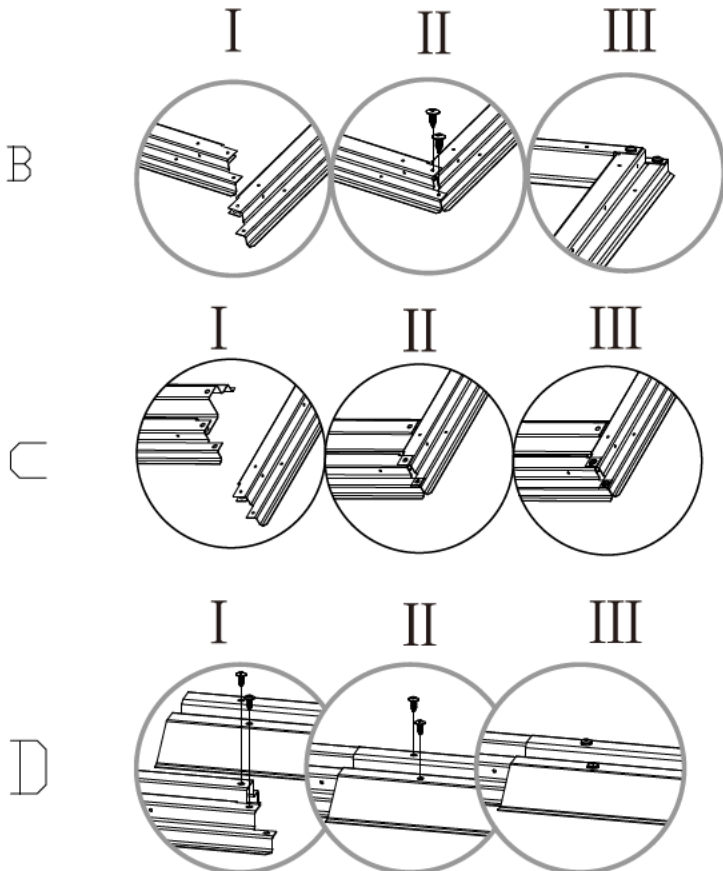
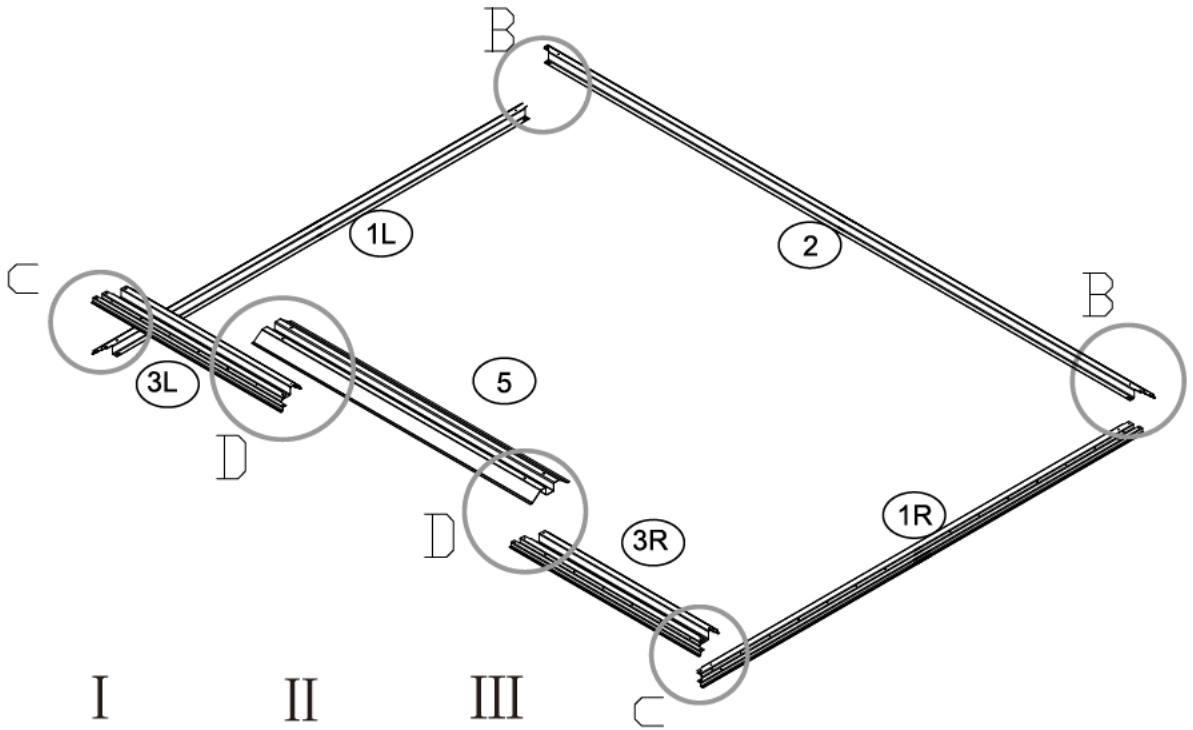
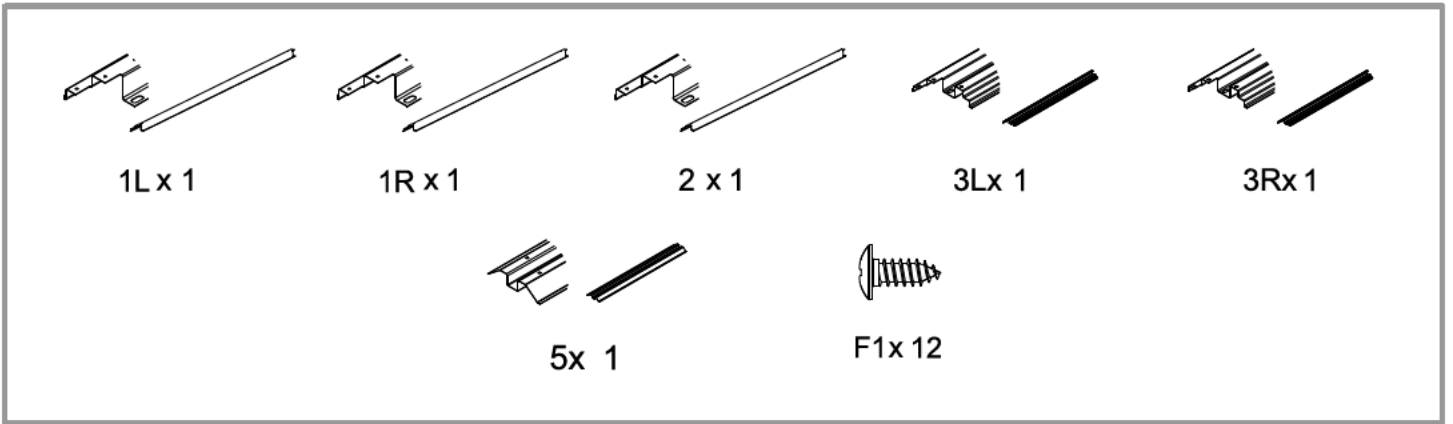
NO.	PART	Qty.
1L	 1484mm	1
1R	 1484mm	1
2	 1802mm	1
3L	 601mm	1
3R	 601mm	1
4L	 1760mm	1
4R	 1760mm	1
5	 730mm	1
6	 730mm	1
7	 882mm	1
8	 882mm	1
9	 1484mm	2
10	 1775mm	1
12	 270mm	2
13	 1760mm	4
B1	 103mm	4
16	 1488mm	2
15	 1595mm	4

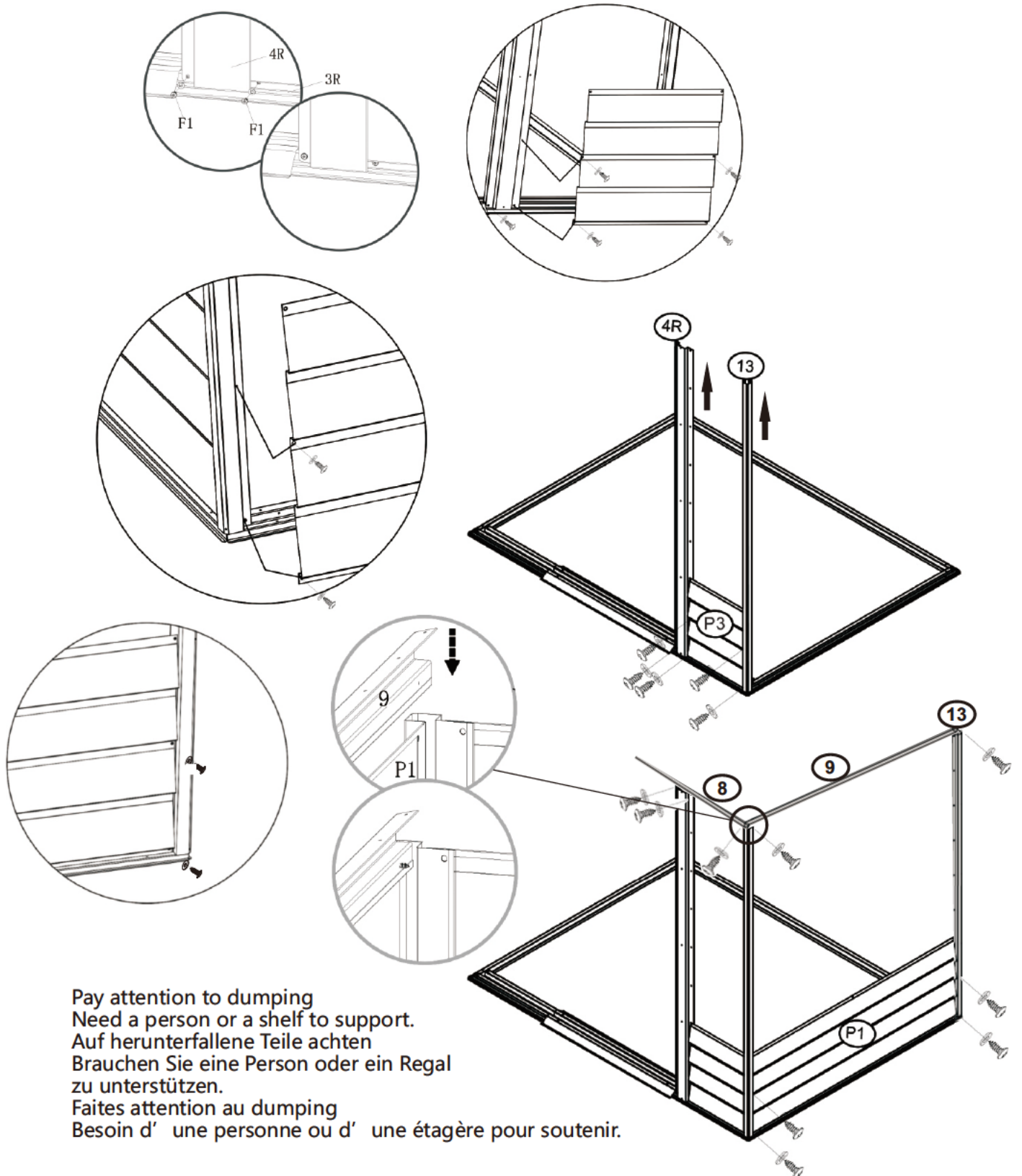
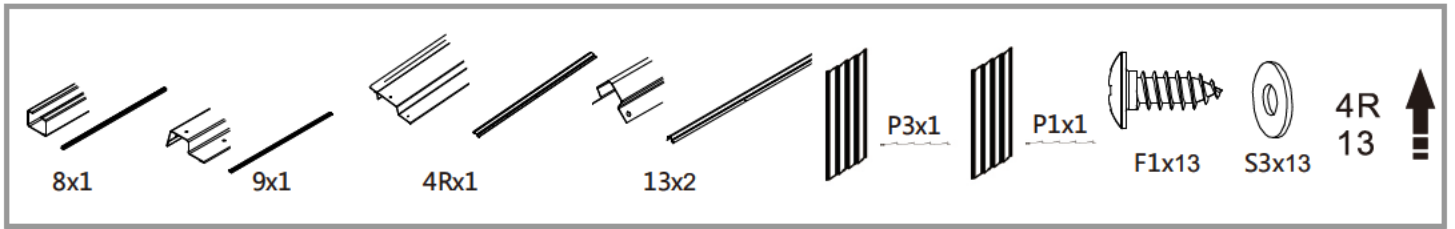
NO.	PART	Qty.
17	 1595mm	2
19	 1595mm	1
20	 495mm	4
21L		2
21R		2
22	 1760mm	4
23	 1760mm	1
35	 1760mm	1
36	 1760mm	4
27	 1748mm	2
28	 510mm	2
29	 510mm	2
30	 1236mm	2
31	 1236mm	2
25L	 1760mm	1
25R	 1760mm	1
A1	 150mm	1

NO.	PART	Qty.
P1	 1424mm	8
P2	 838mm	8
P3	 416mm	8
P5	 1000mm	6
P7	 1000mm	2
G2		4
GD		4
GF		4
GB		2
GC		4
GE		2
GS		4
F1		303
F2		58
F3		8
S2		255
S3		289

NO.	PART	Qty.
D1	 1748mm	1
D2	 1748mm	1



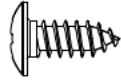




Pay attention to dumping
 Need a person or a shelf to support.
 Auf herunterfallene Teile achten
 Brauchen Sie eine Person oder ein Regal
 zu unterstützen.
 Faites attention au dumping
 Besoin d' une personne ou d' une étagère pour soutenir.



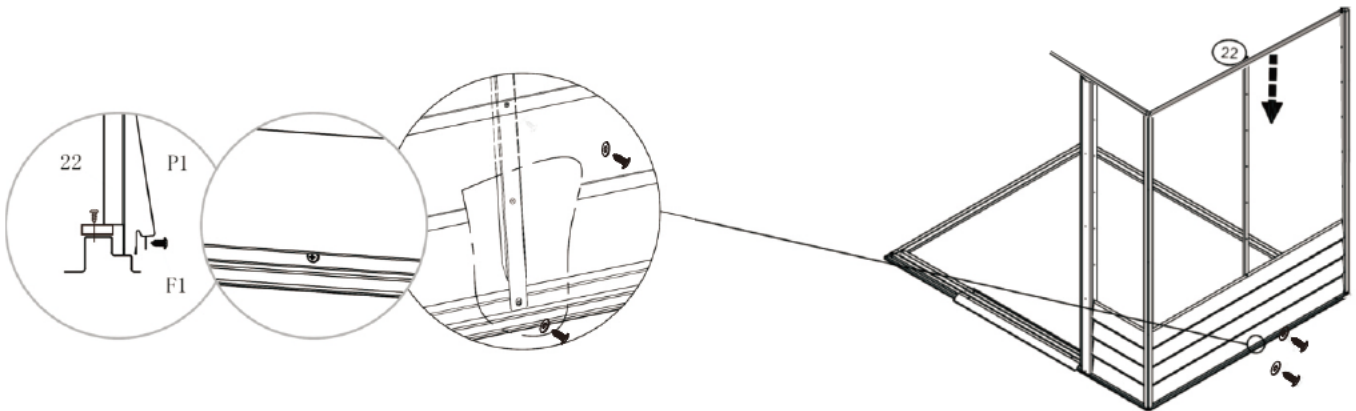
22 x 1



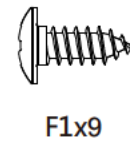
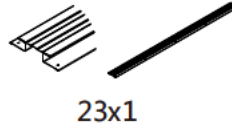
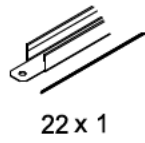
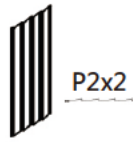
F1 x 3



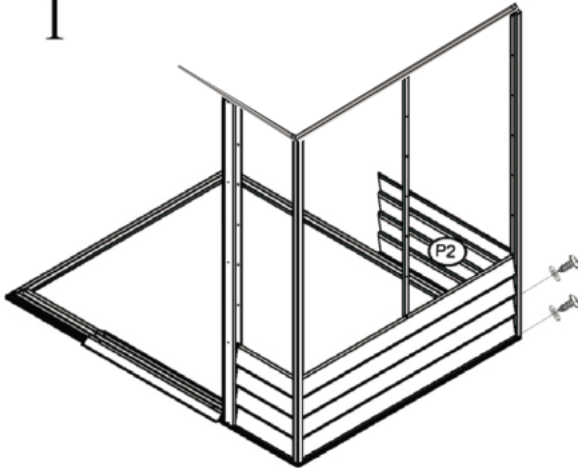
S3 x 3



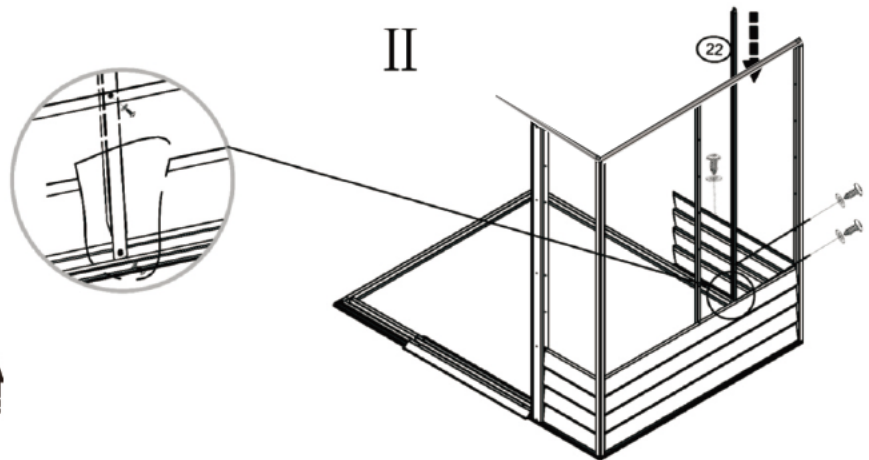
Pay attention to dumping
Need a person or a shelf to support.
Auf herunterfallene Teile achten
Brauchen Sie eine Person oder ein Regal
zu unterstützen.
Faites attention au dumping
Besoin d' une personne ou d' une étagère pour soutenir.



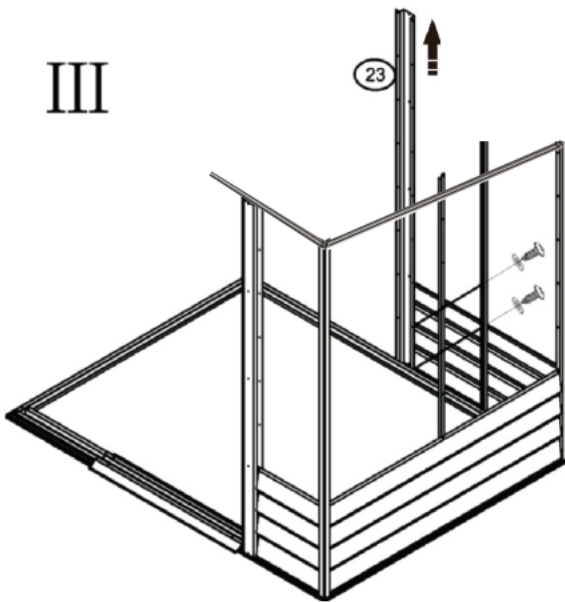
I



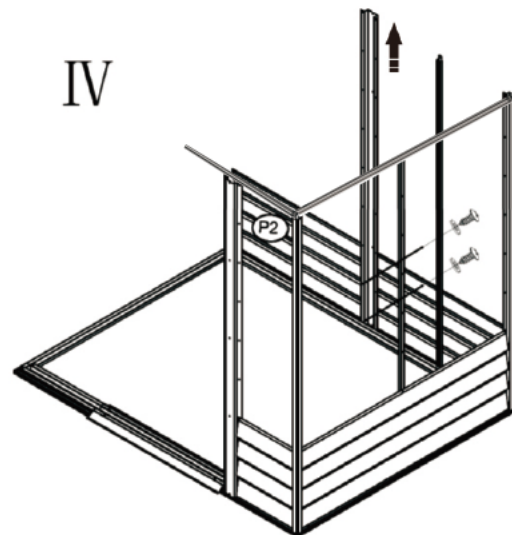
II



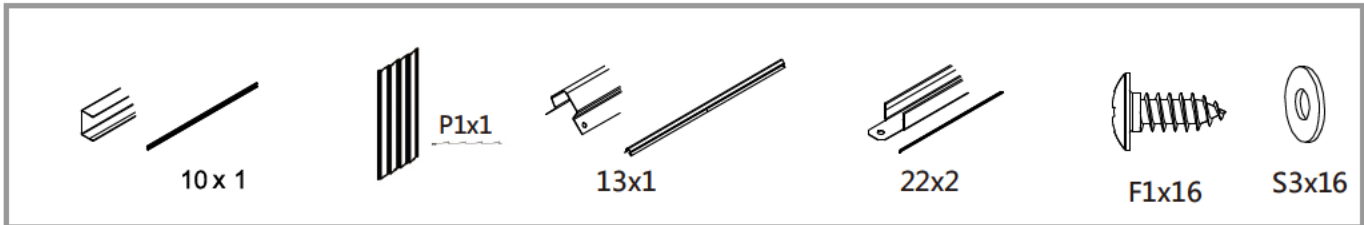
III



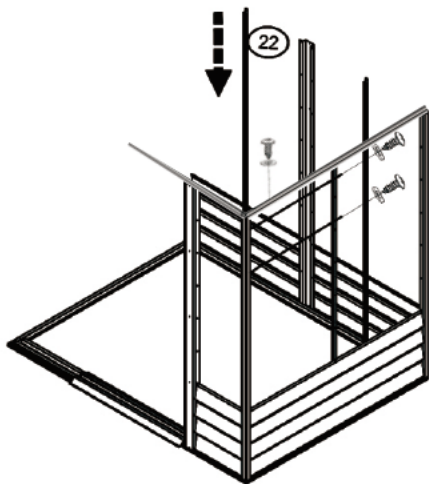
IV



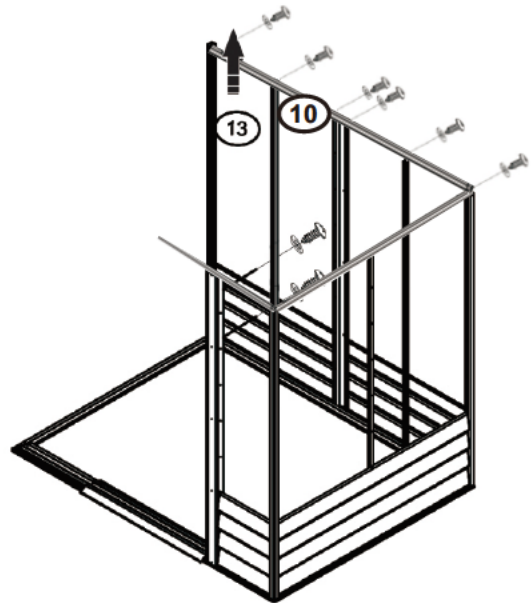
Pay attention to dumping
Need a person or a shelf to support.
Auf herunterfallene Teile achten
Brauchen Sie eine Person oder ein Regal
zu unterstützen.
Faites attention au dumping
Besoin d' une personne ou d' une étagère pour soutenir.



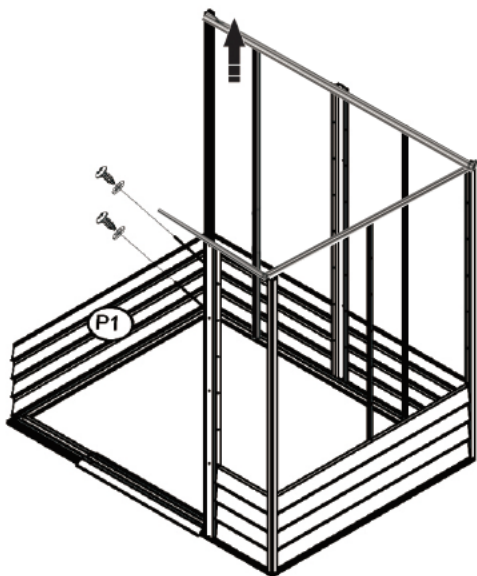
I



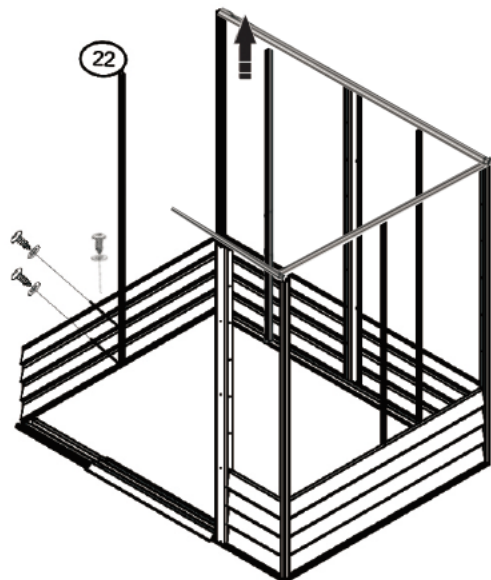
II



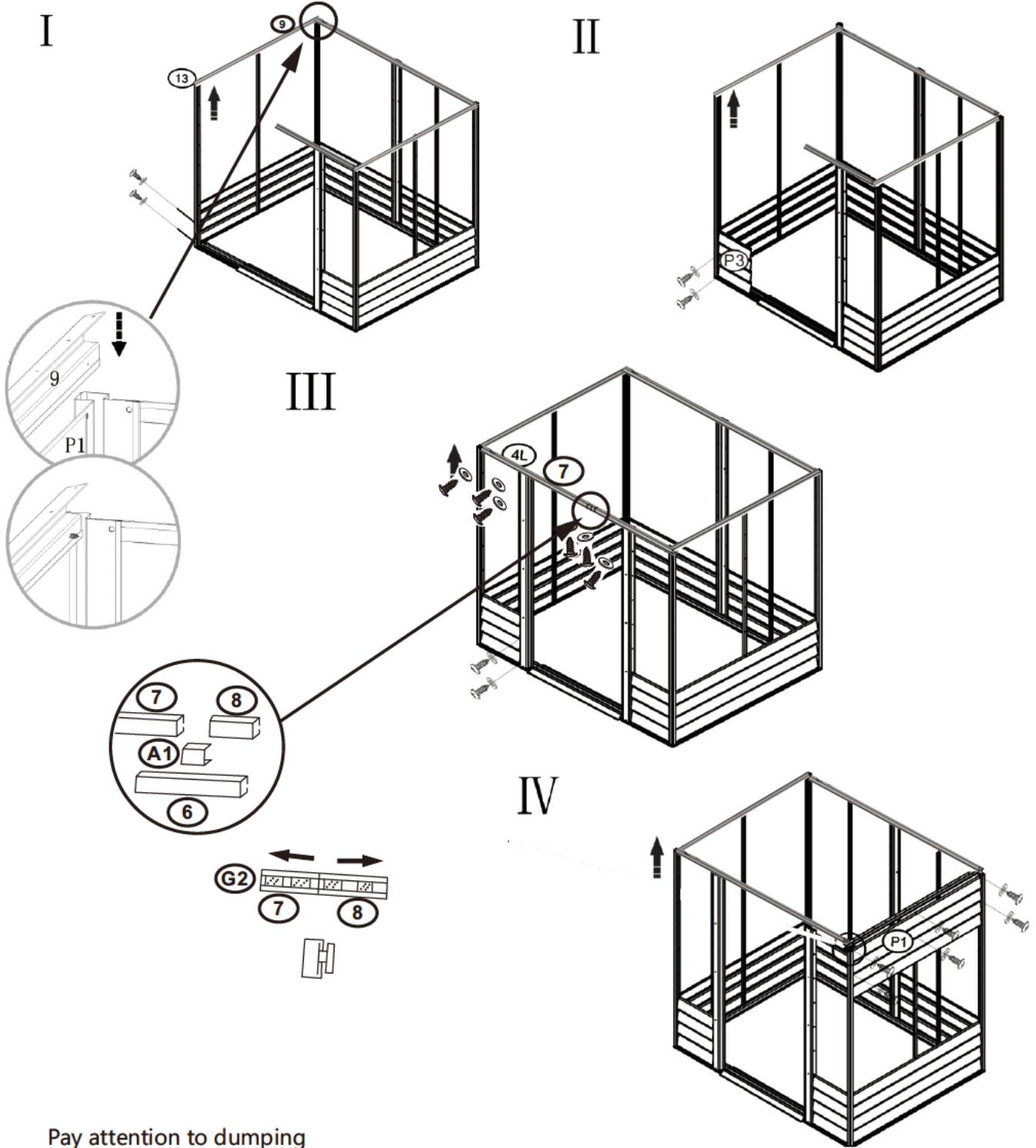
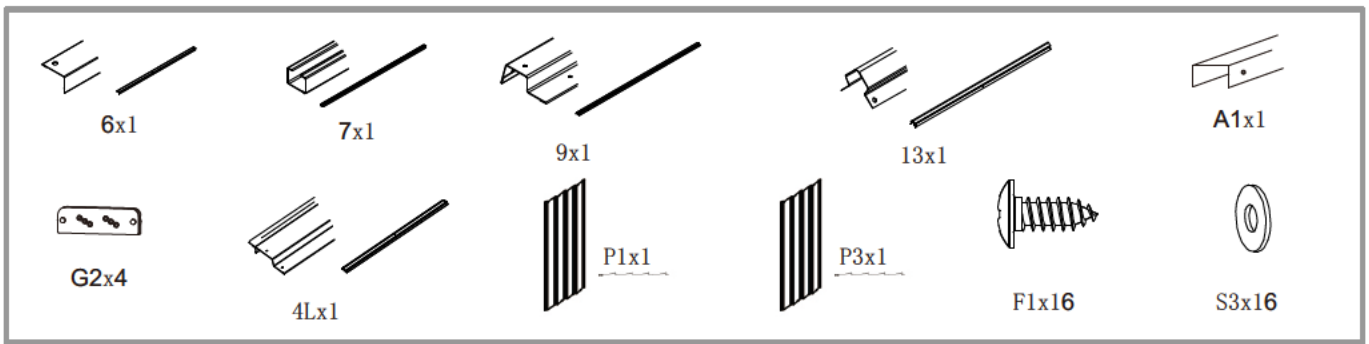
III



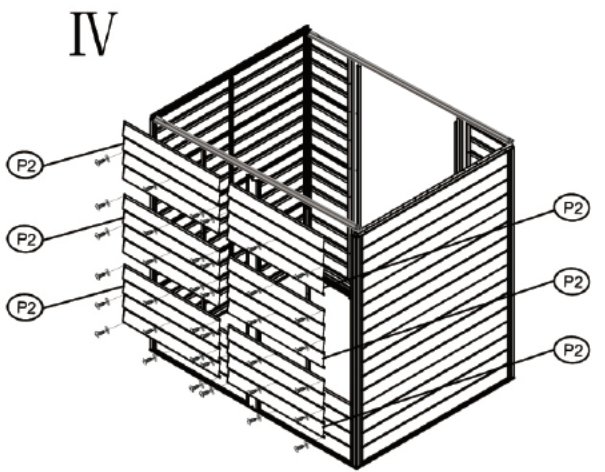
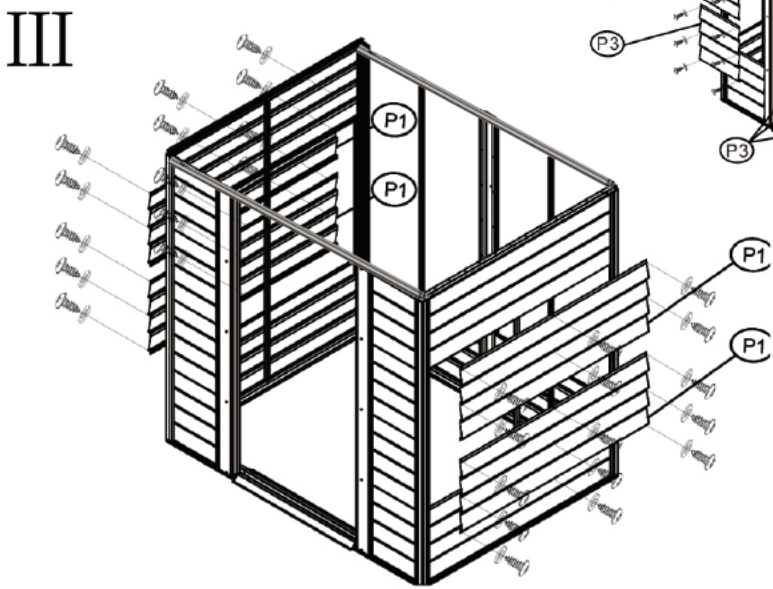
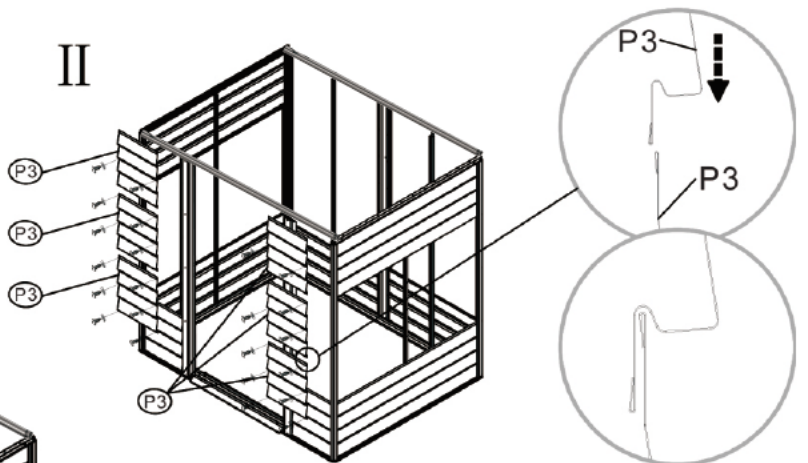
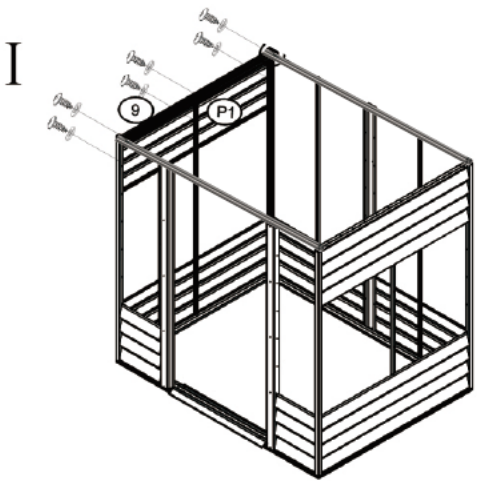
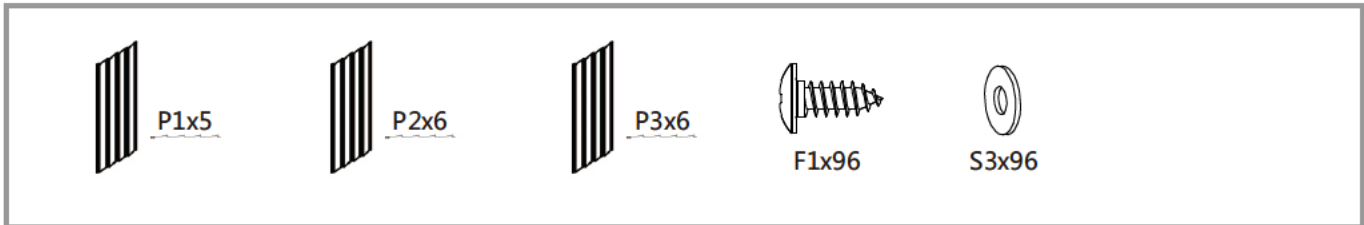
IV



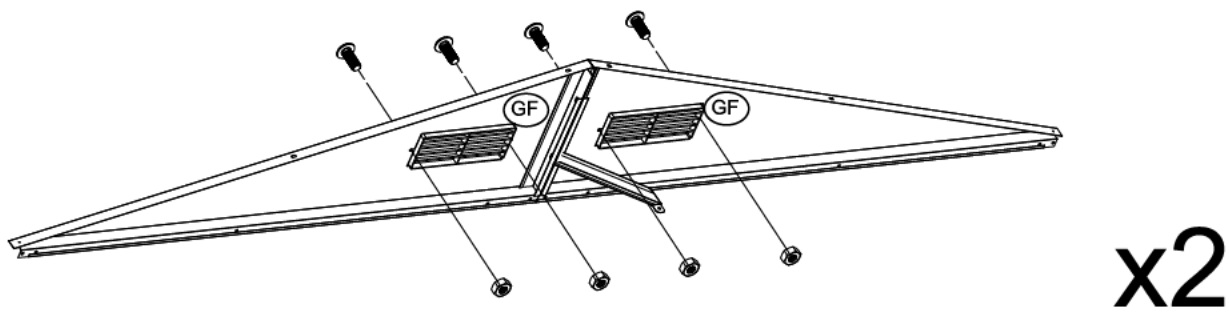
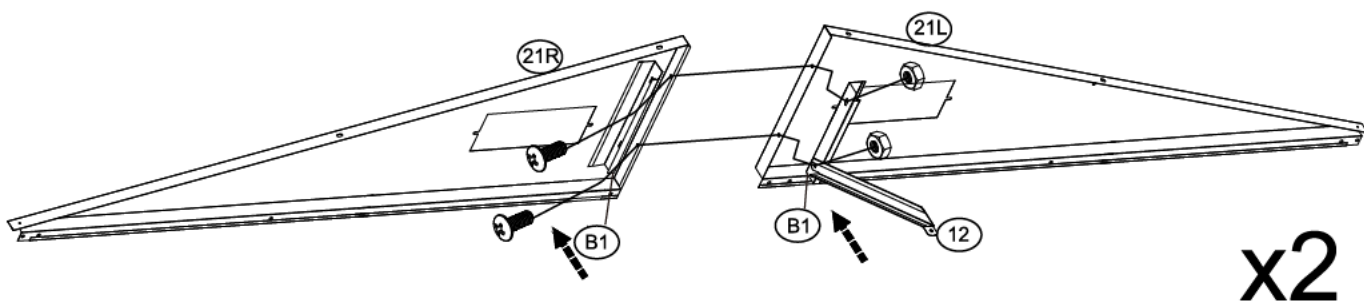
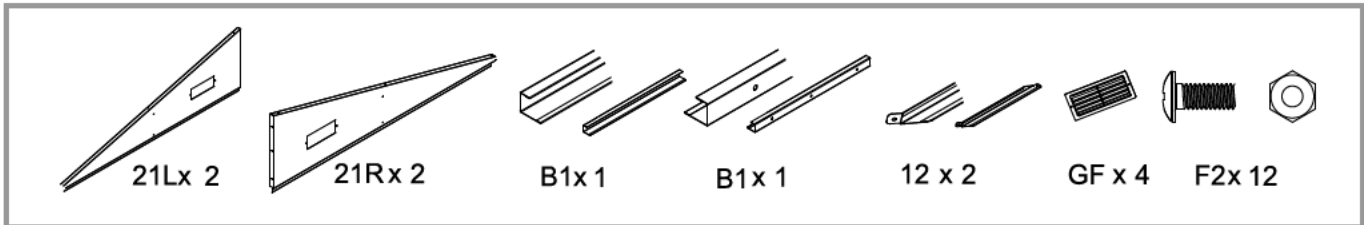
Pay attention to dumping
 Need a person or a shelf to support.
 Auf herunterfallene Teile achten
 Brauchen Sie eine Person oder ein Regal
 zu unterstützen.
 Faites attention au dumping
 Besoin d' une personne ou d' une étagère pour soutenir.



Pay attention to dumping
 Need a person or a shelf to support.
 Auf herunterfallene Teile achten
 Brauchen Sie eine Person oder ein Regal
 zu unterstützen.
 Faites attention au dumping
 Besoin d' une personne ou d' une étagère pour soutenir.



Pay attention to dumping
 Need a person or a shelf to support.
 Auf herunterfallene Teile achten
 Brauchen Sie eine Person oder ein Regal
 zu unterstützen.
 Faites attention au dumping
 Besoin d' une personne ou d' une étagère pour soutenir.

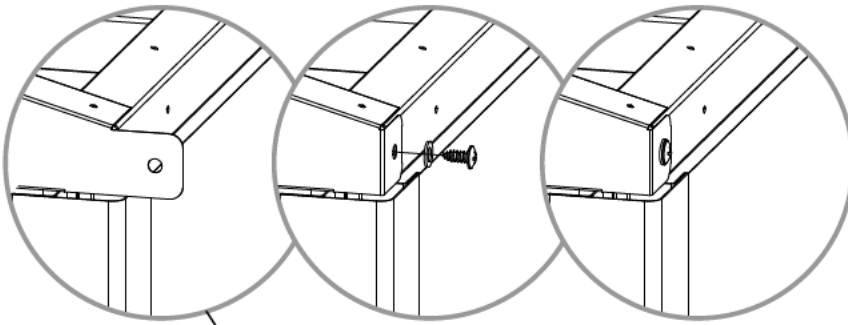




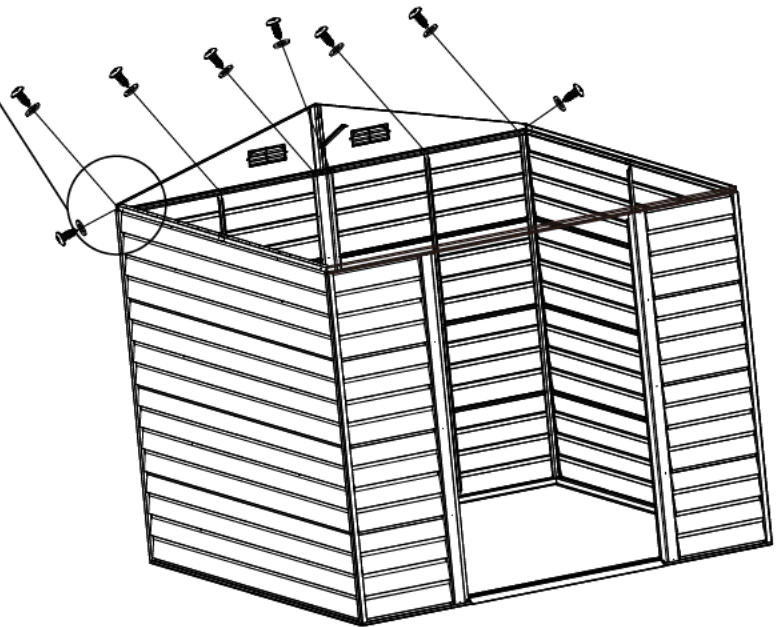
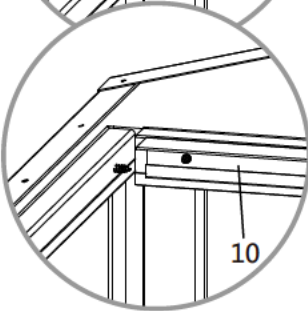
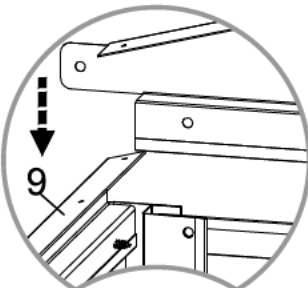
F1x8



S3 x8



x2

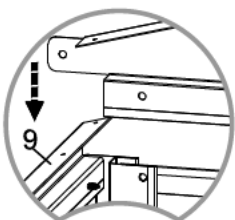
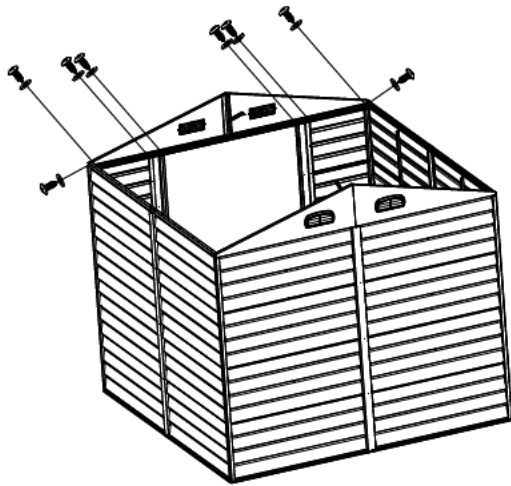




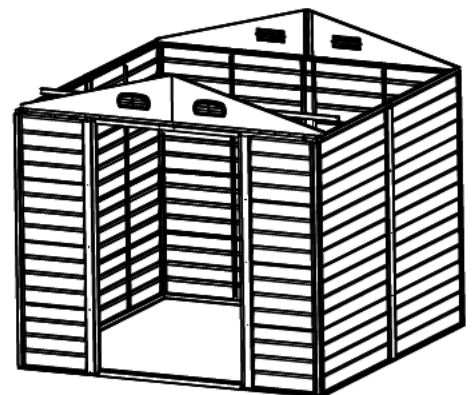
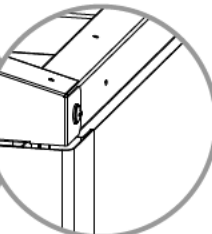
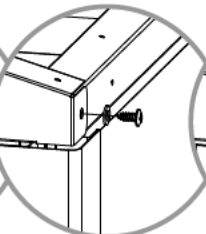
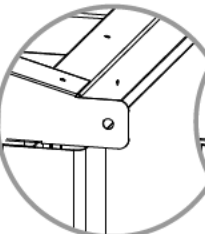
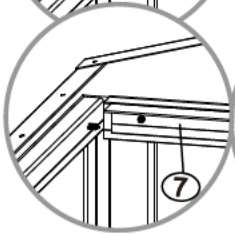
F1x14



S3x14



x2

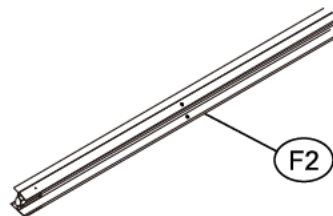
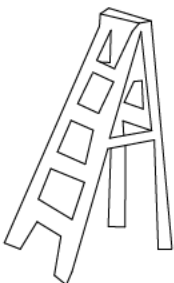
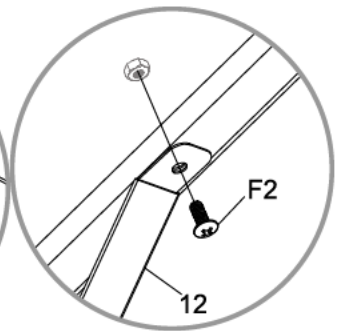
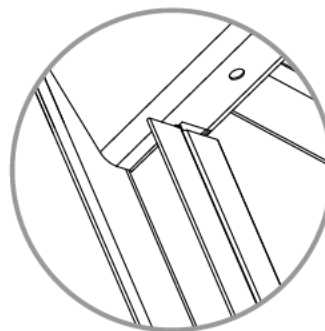
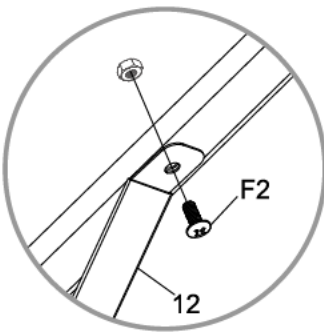
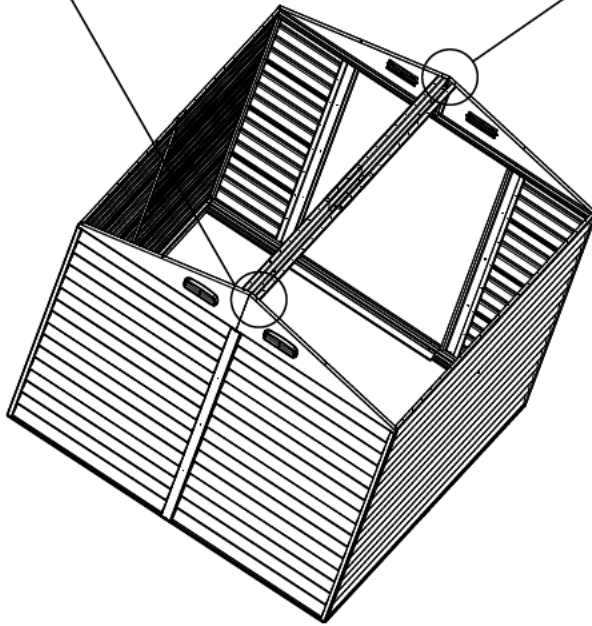
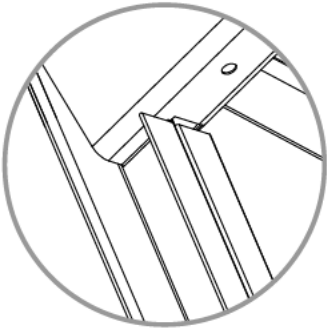
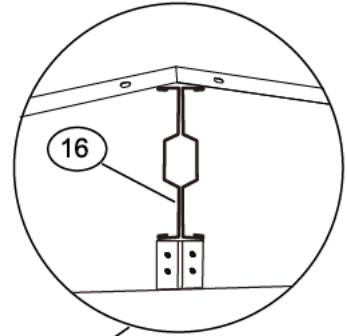
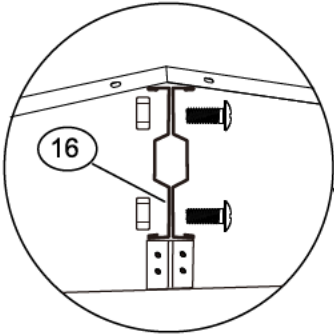


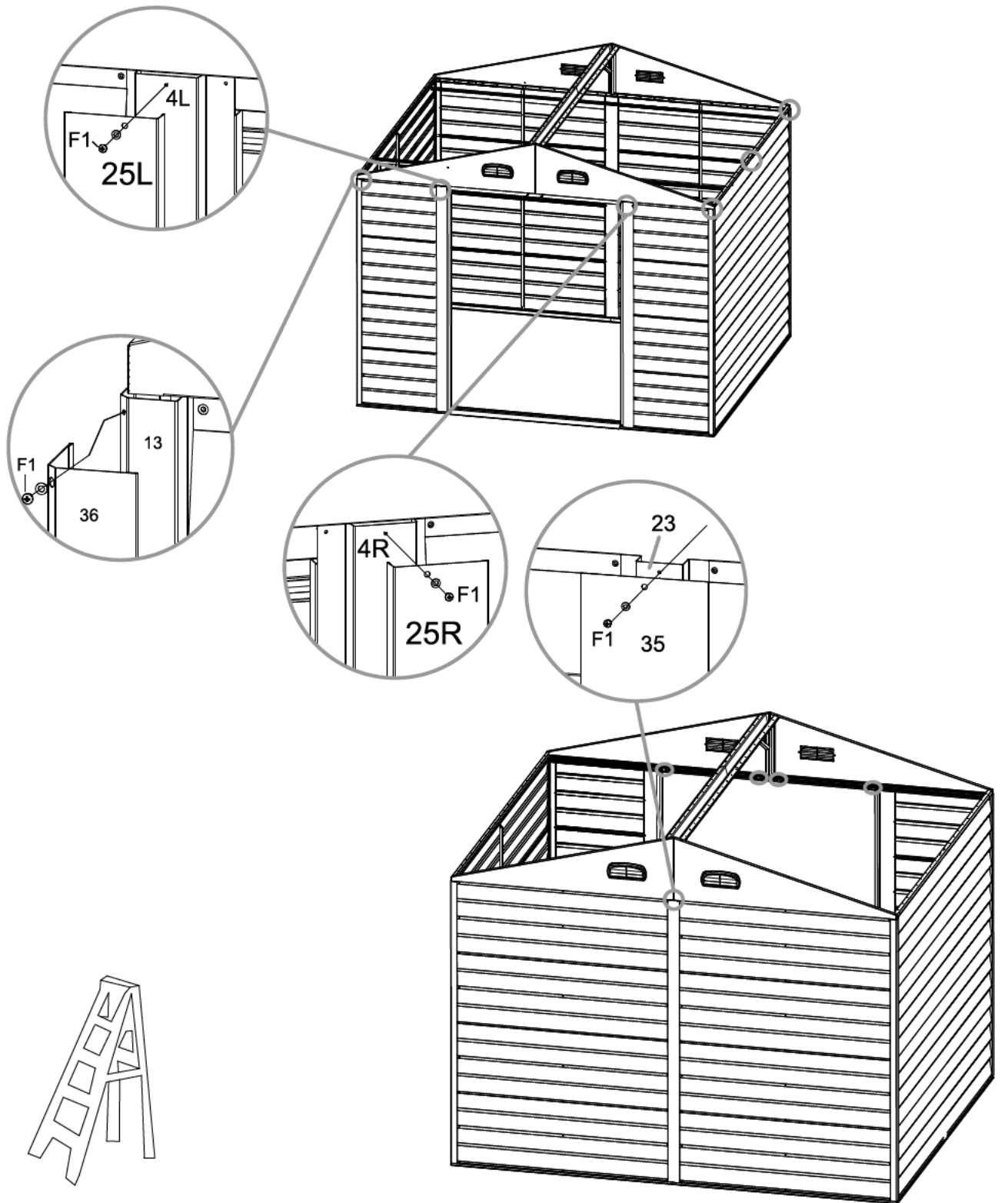
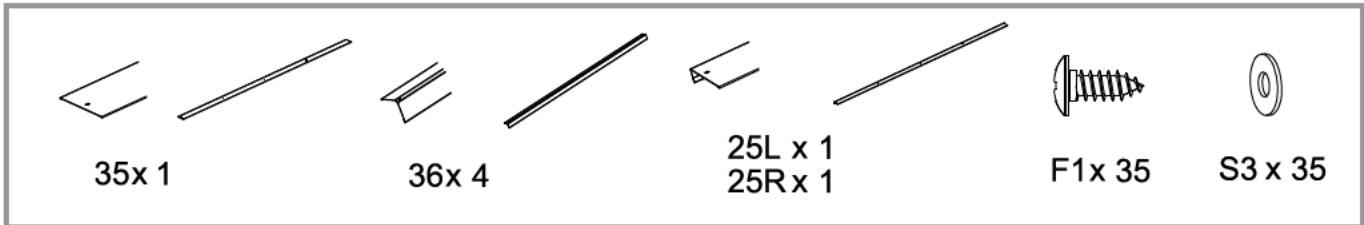


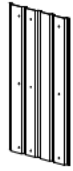
16 x 2



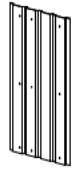
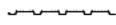
F2x 8



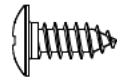
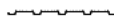




P7x 2



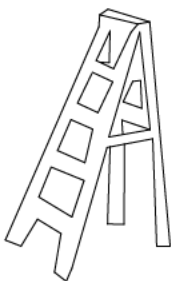
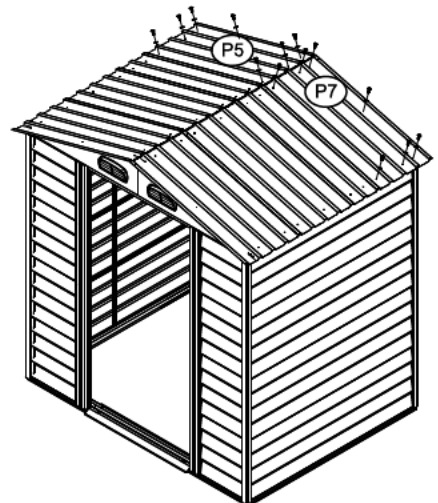
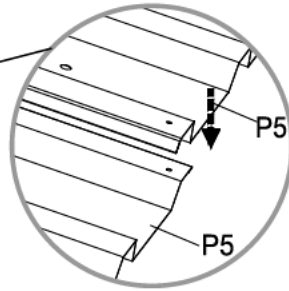
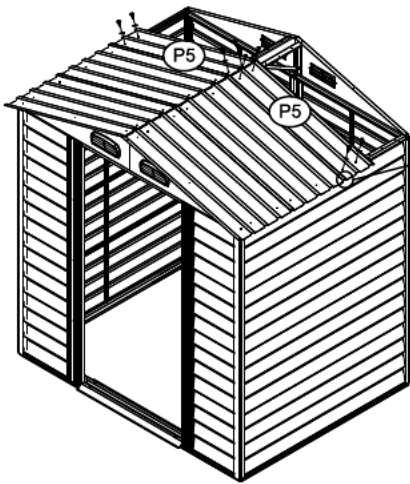
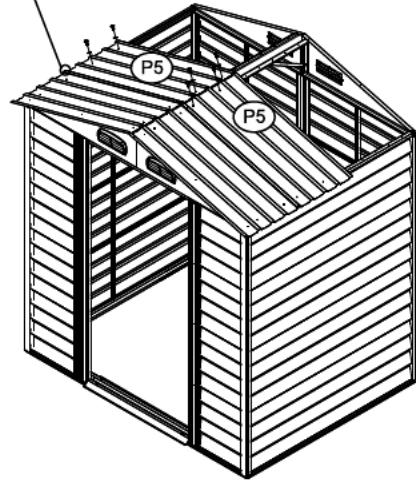
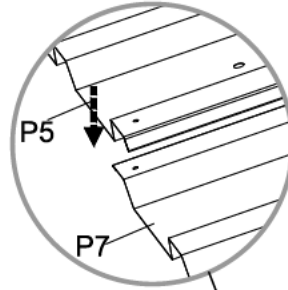
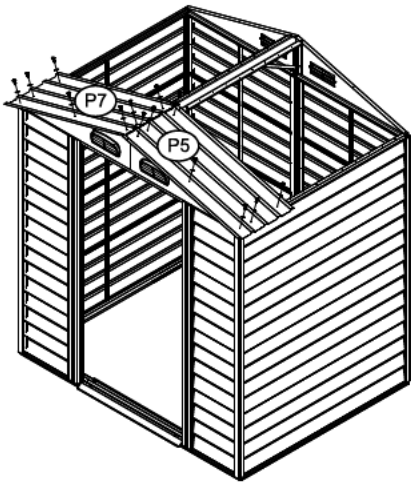
P5x 6

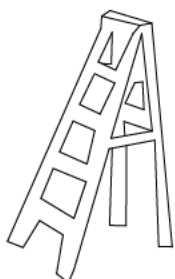
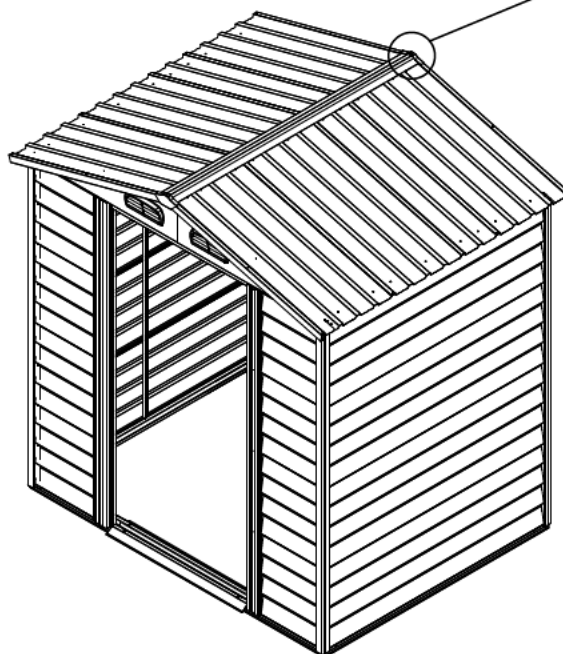
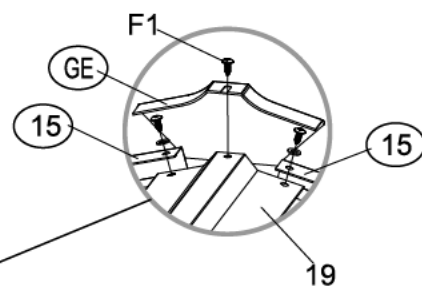
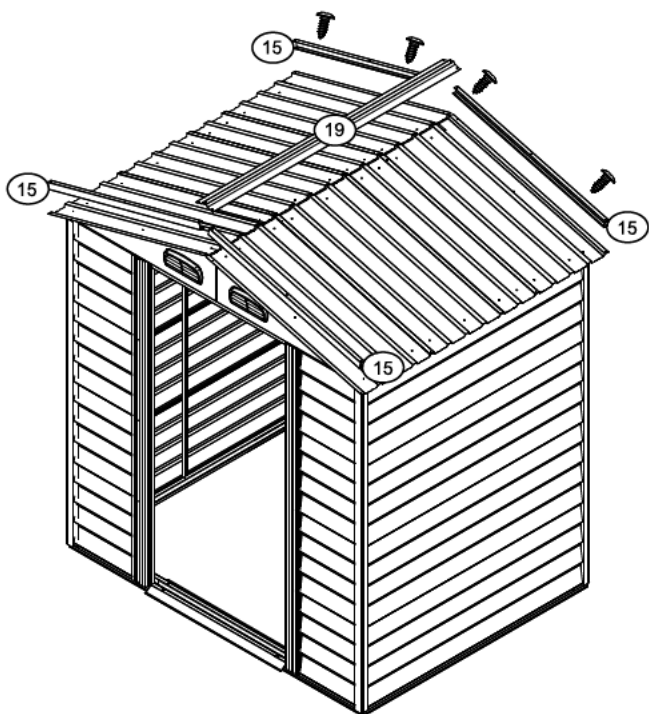
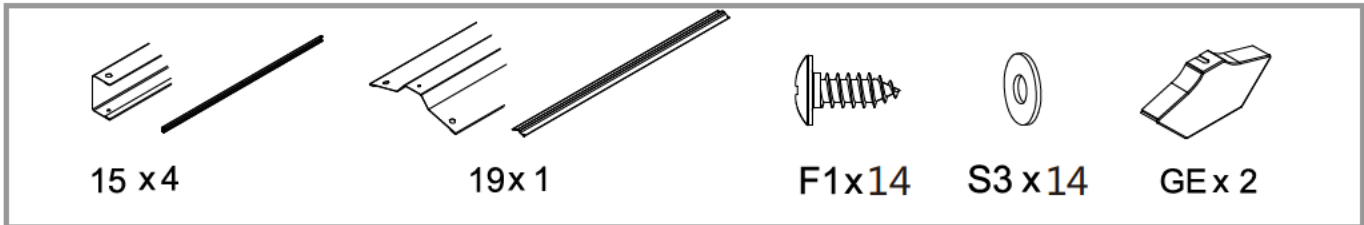


F1x48



F1x48







17x2



GCx4



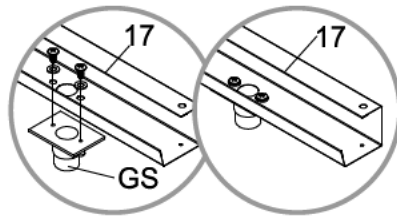
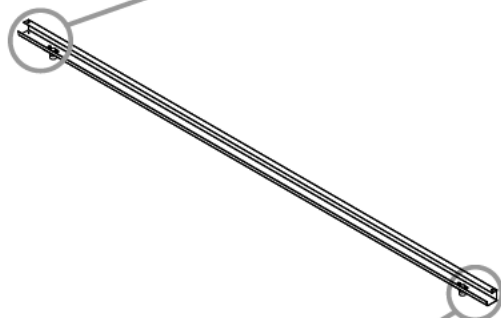
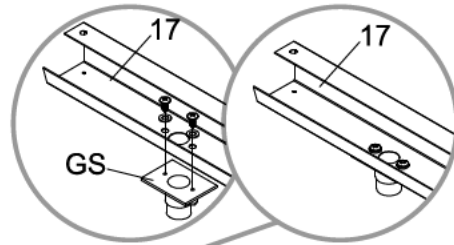
GSx4



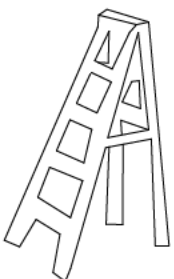
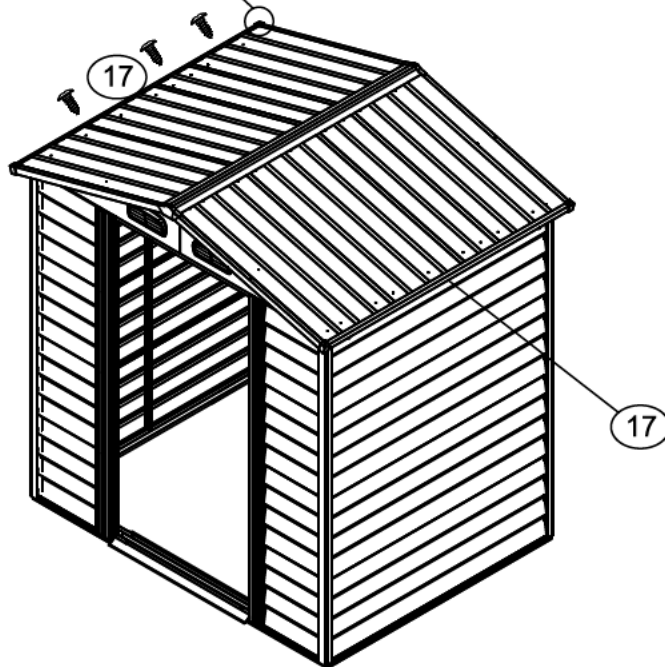
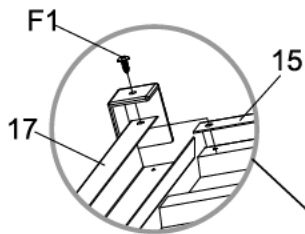
F1x18

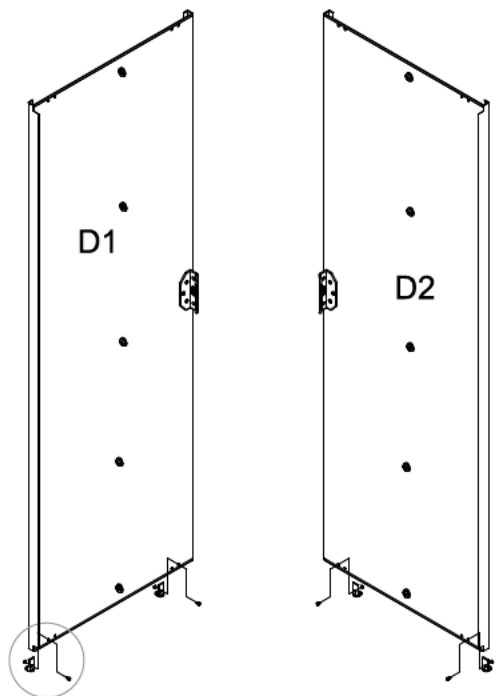
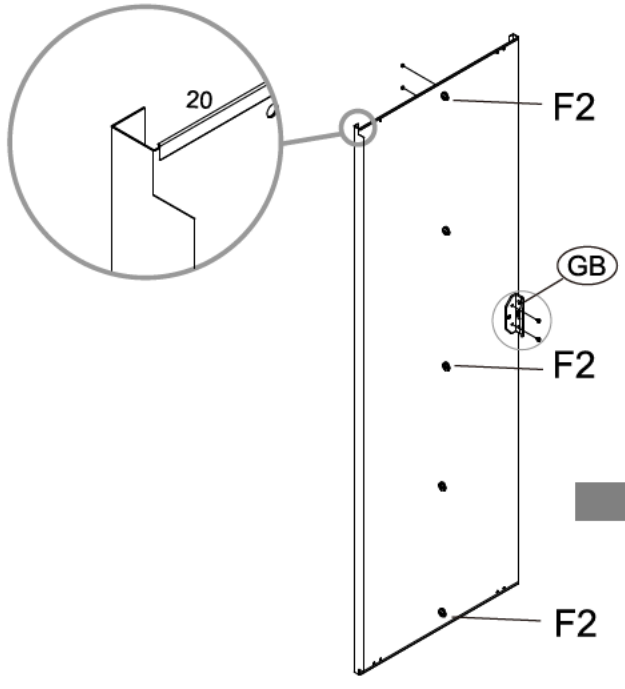
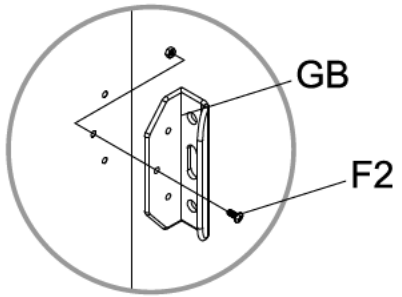
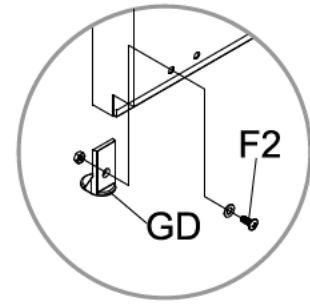
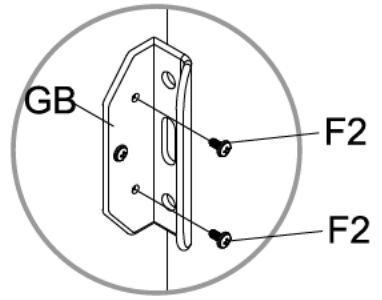
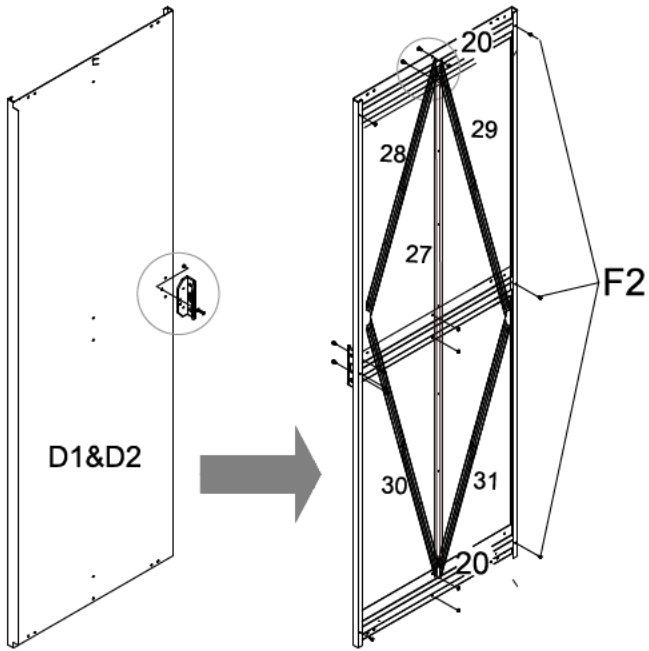
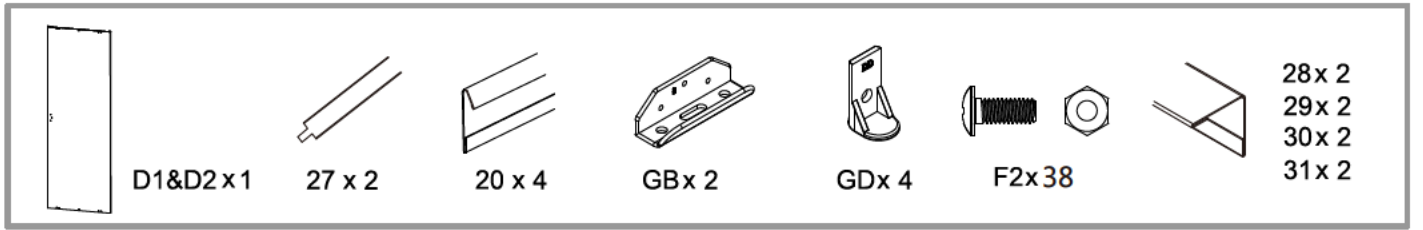


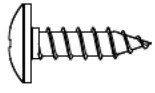
S3x14



x2







F3x 8

