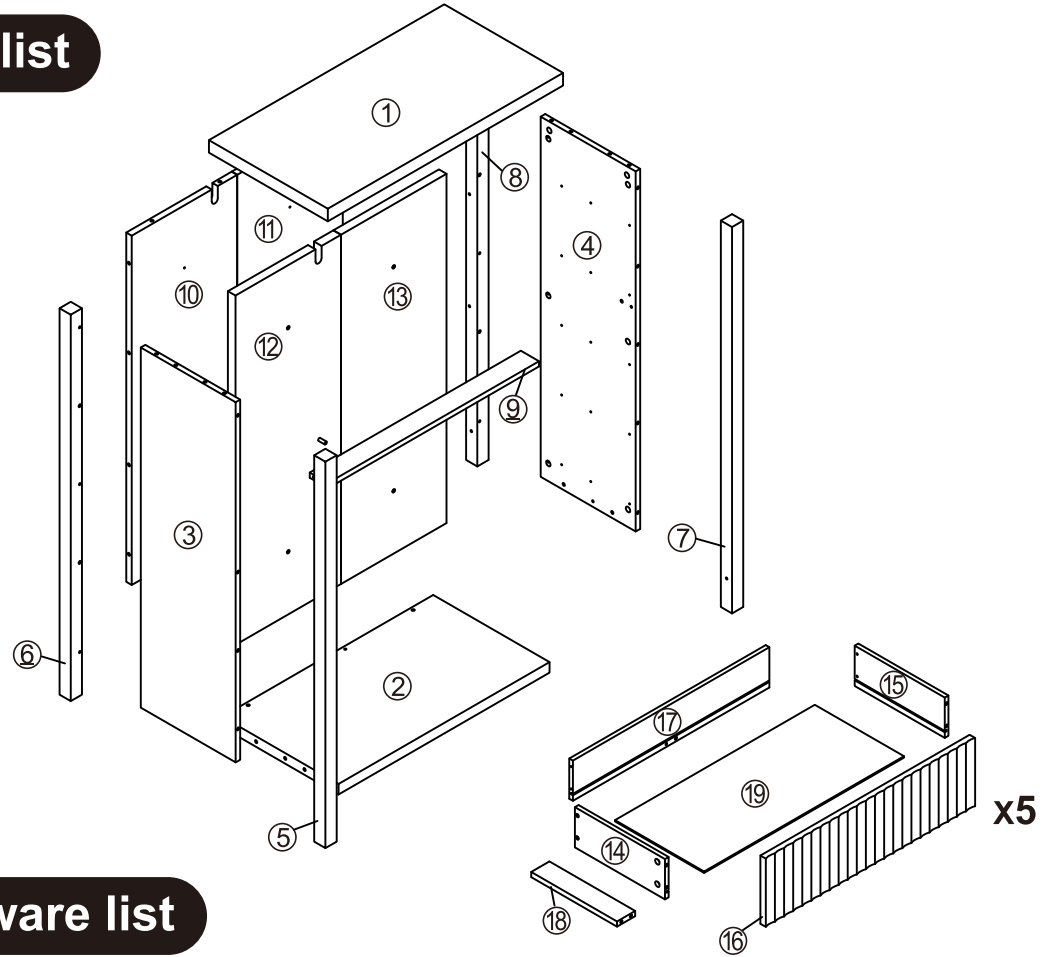












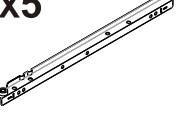
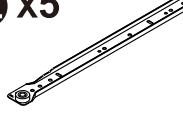
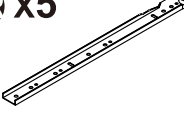
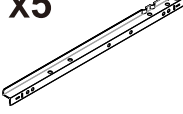


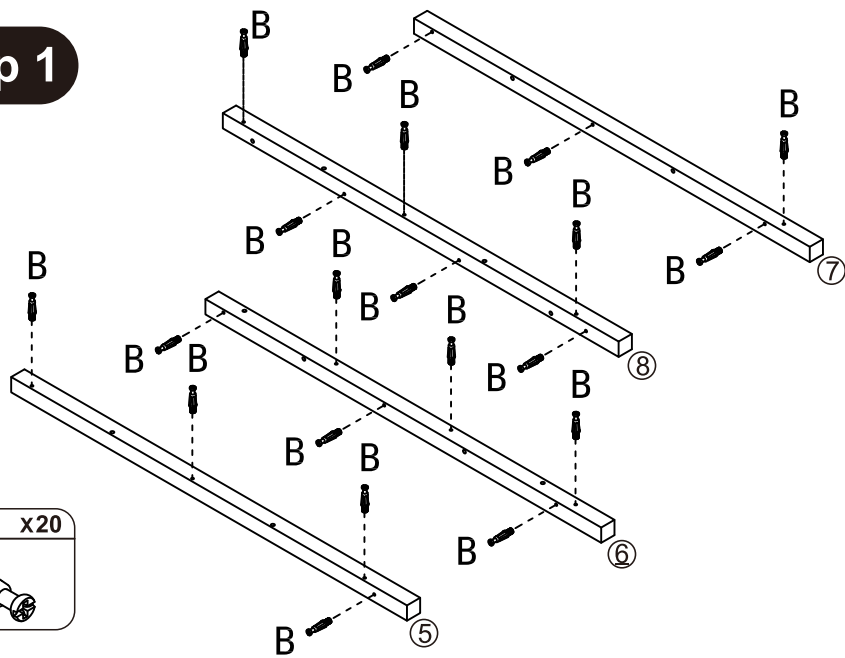
## Parts list



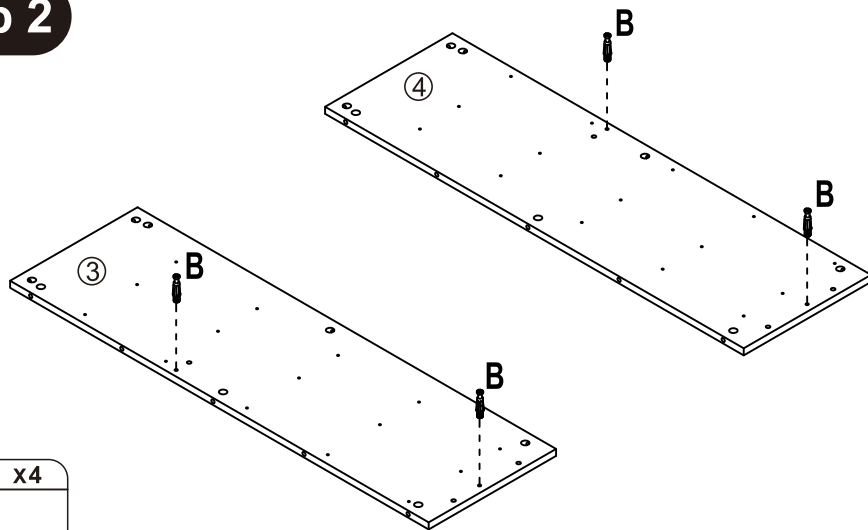
## Hardware list

<b>A</b> x55 	<b>B</b> x55 	<b>C</b> x39  $\phi 8^*30\text{MM}$	<b>D</b> x70  $\phi 3.5^*12\text{MM}$	<b>E</b> x25  $\phi 4^*30\text{MM}$	<b>F</b> x2  $\phi 4.2^*50\text{MM}$
<b>G</b> x5  $\phi 4^*35\text{MM}$	<b>H</b> x1  $\phi 4^*15\text{MM}$	<b>I</b> x1 	<b>J</b> x1 	<b>K</b> x42 	<b>L</b> x5 
<b>DL</b> x5 	<b>CL</b> x5 	<b>CR</b> x5 	<b>DR</b> x5 		

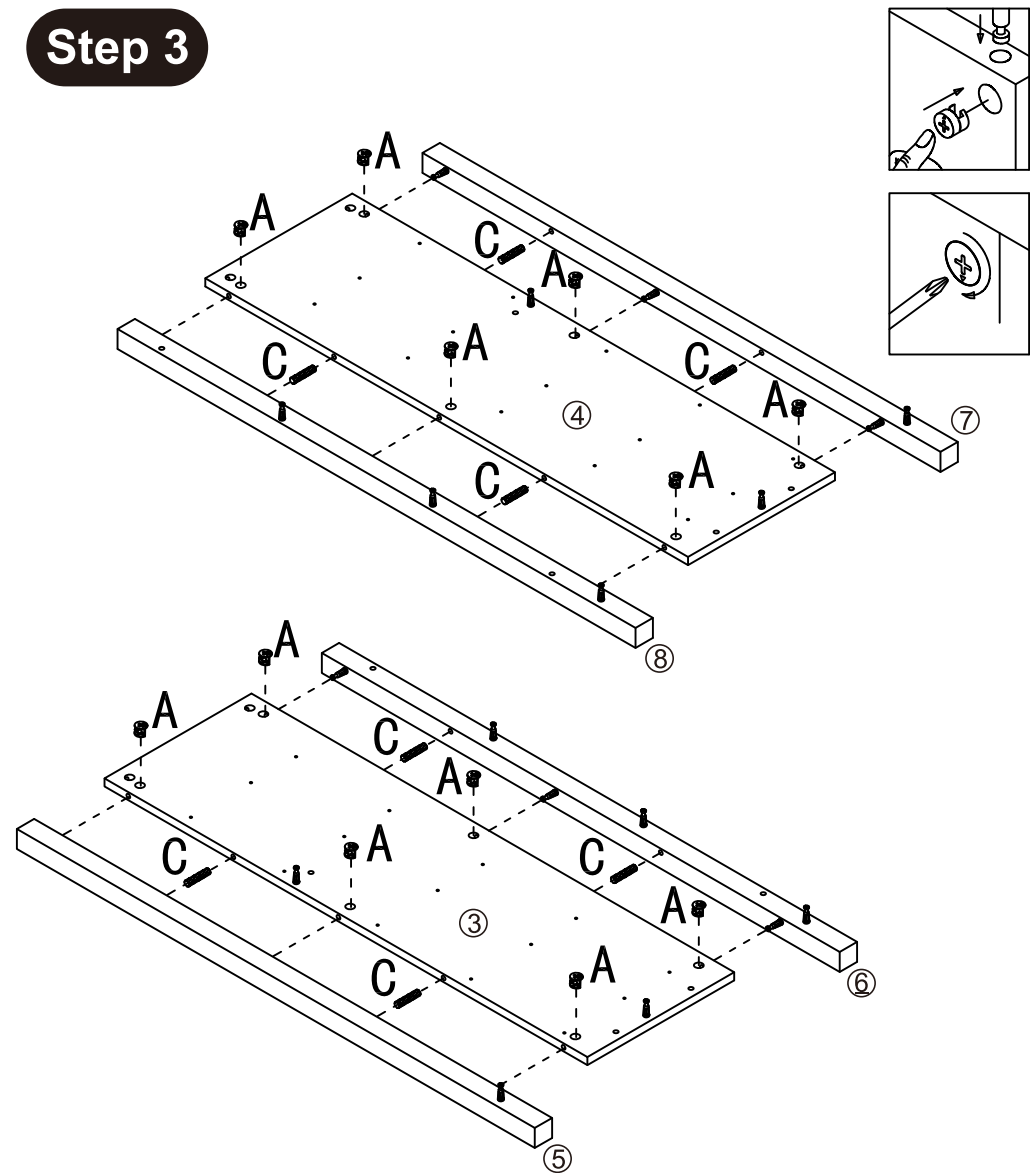
### Step 1



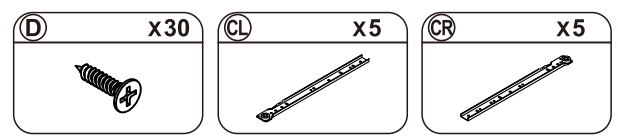
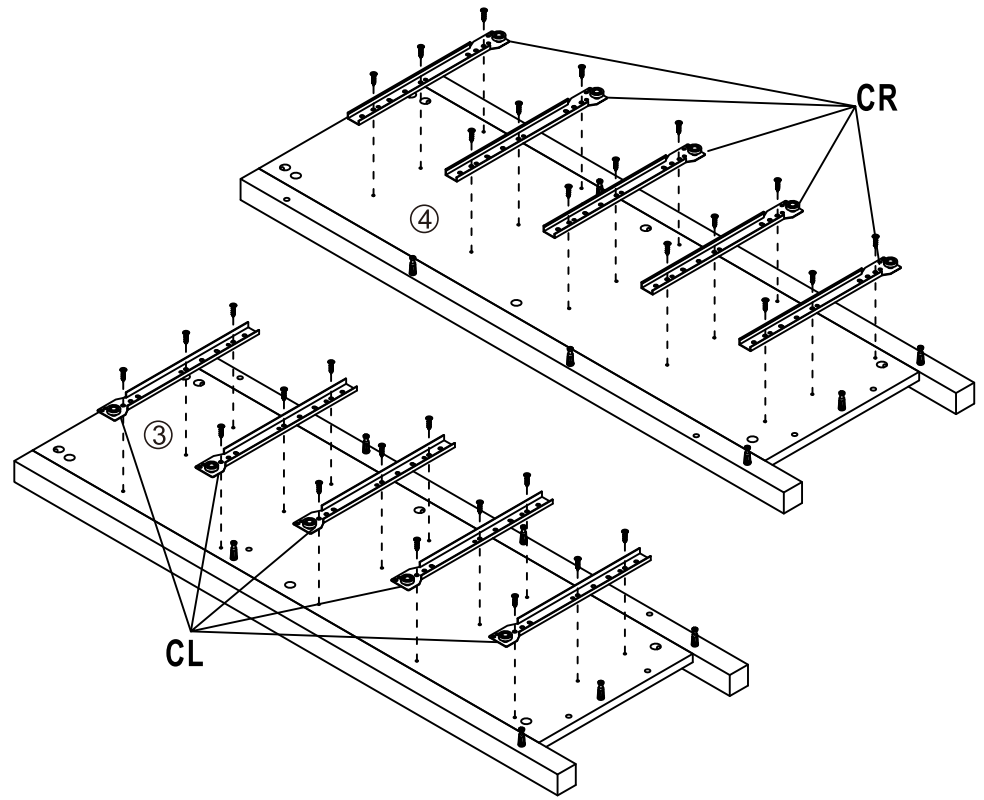
### Step 2



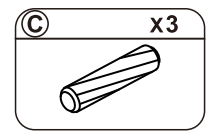
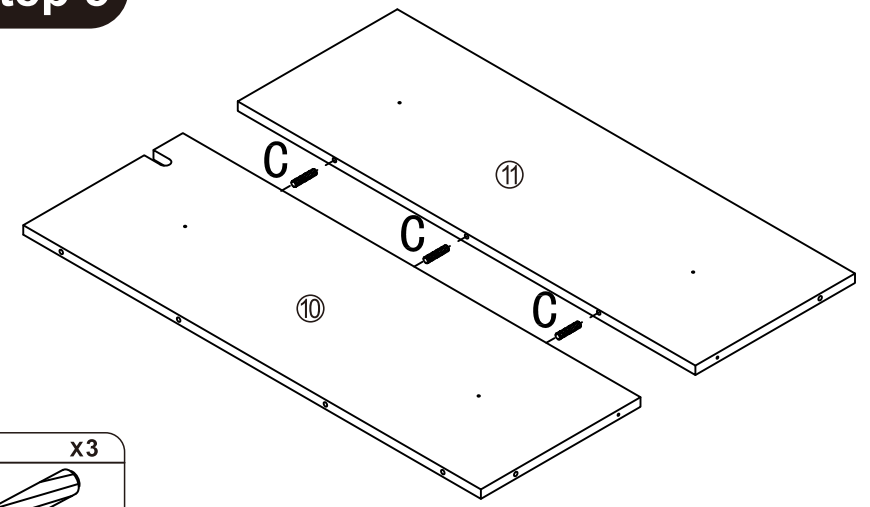
### Step 3



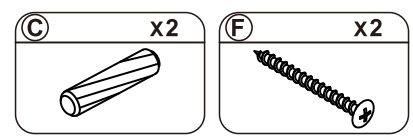
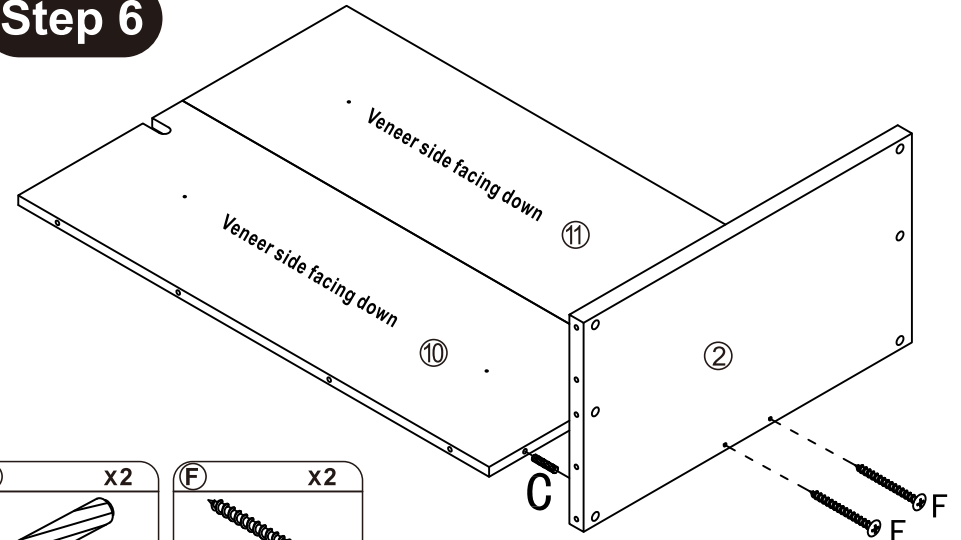
### Step 4



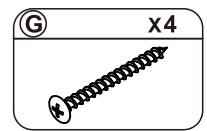
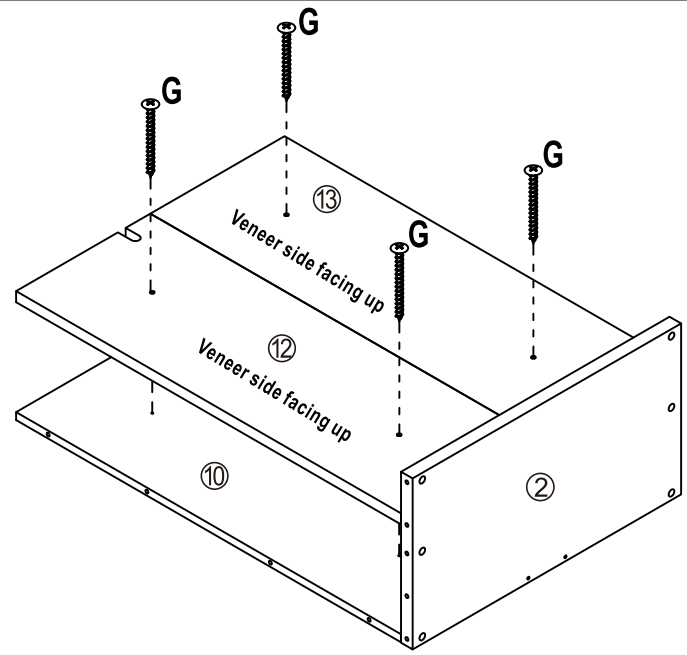
### Step 5



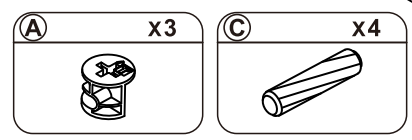
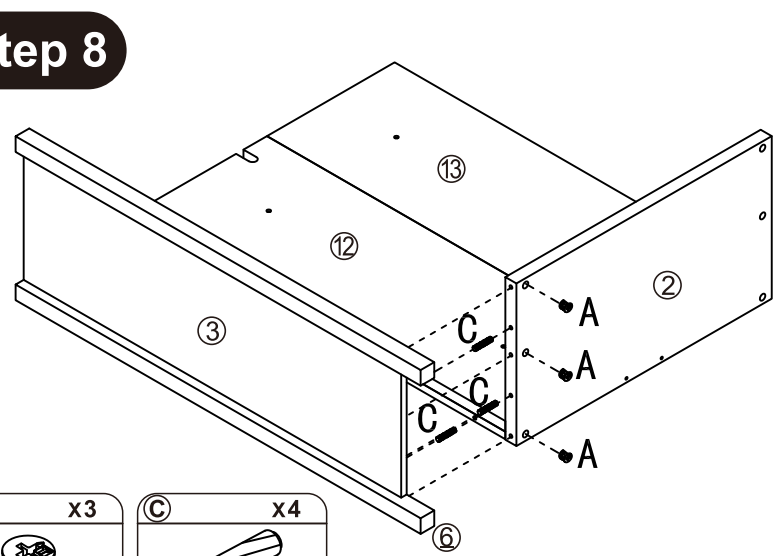
### Step 6



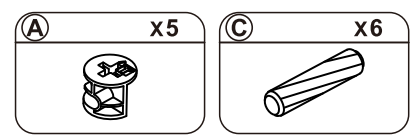
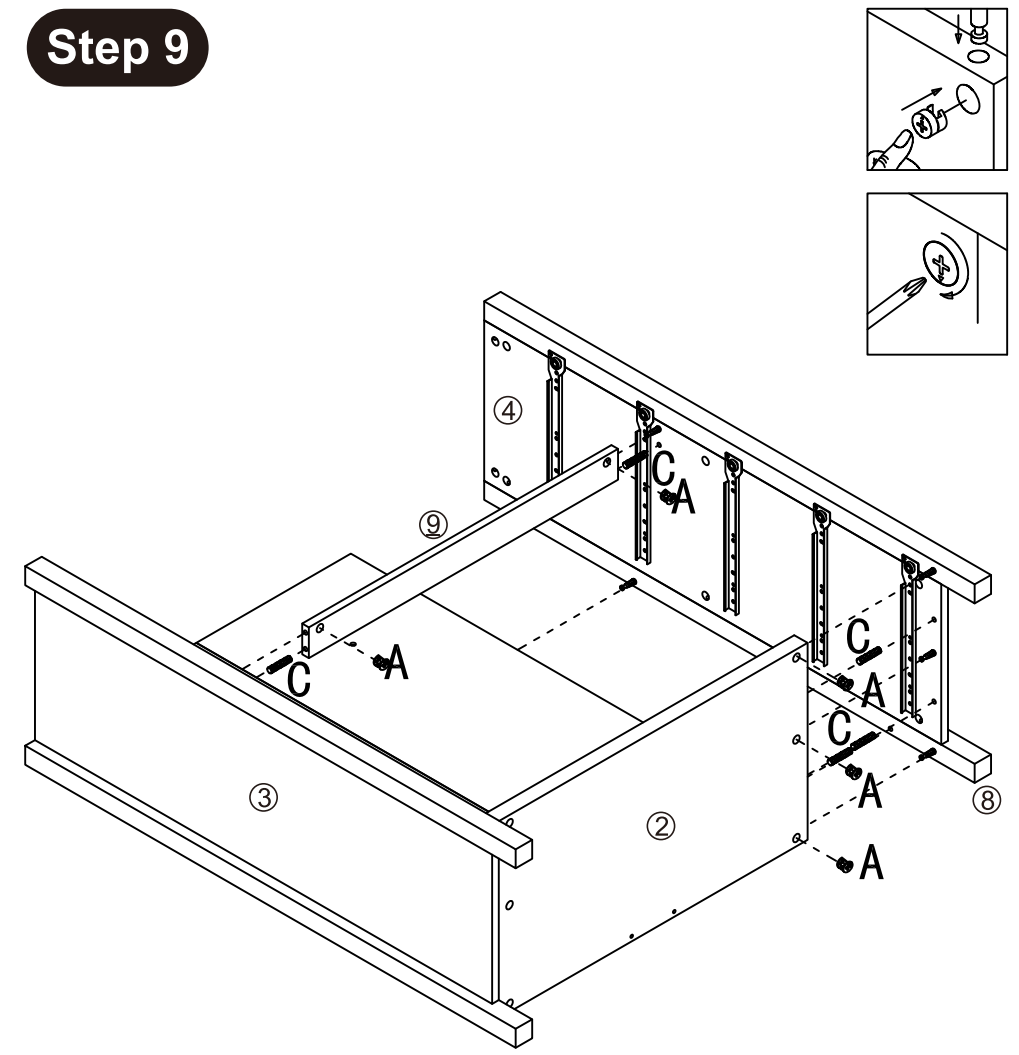
### Step 7



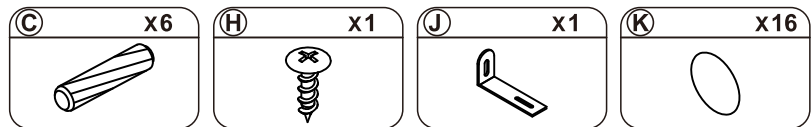
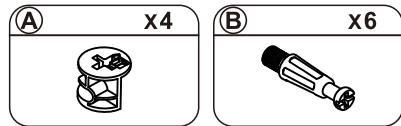
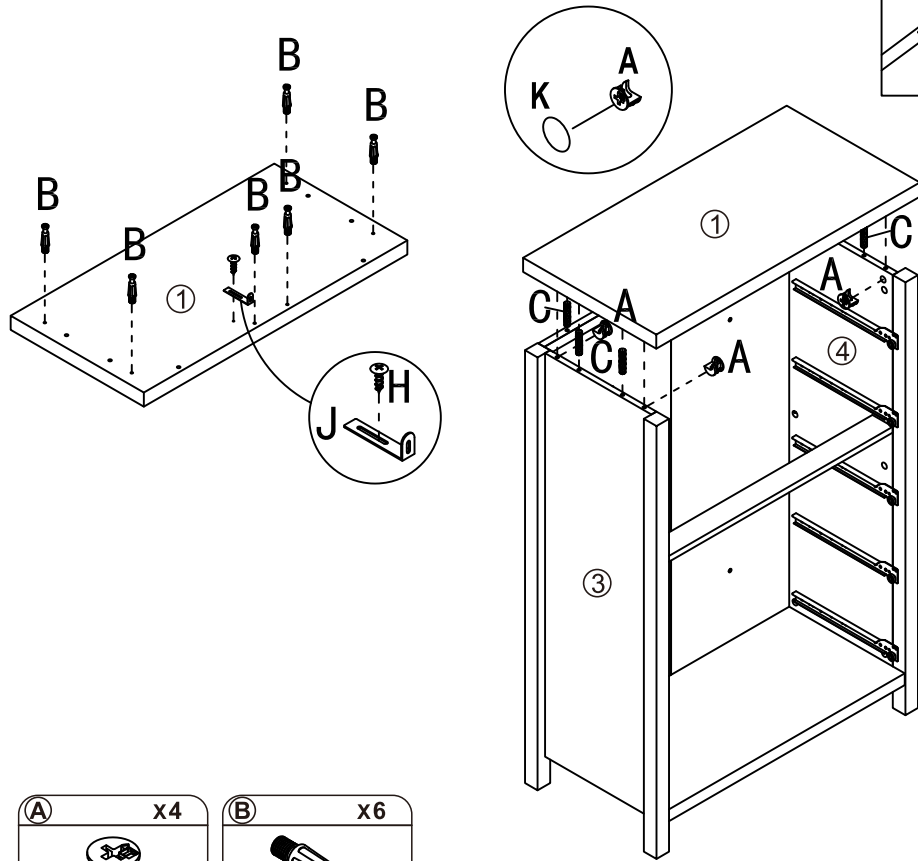
### Step 8



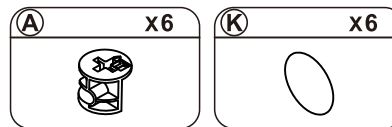
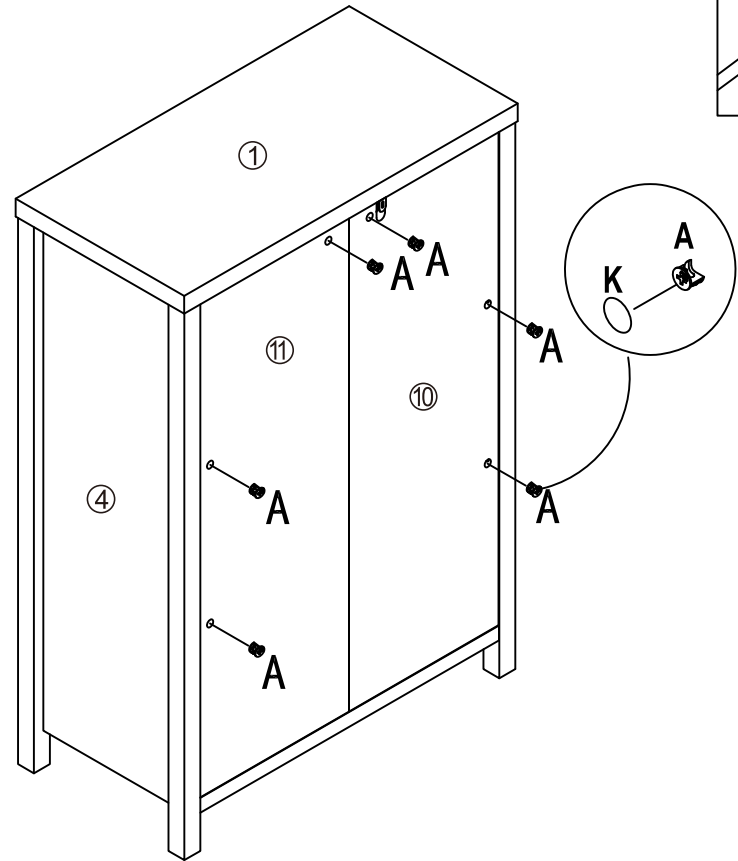
### Step 9



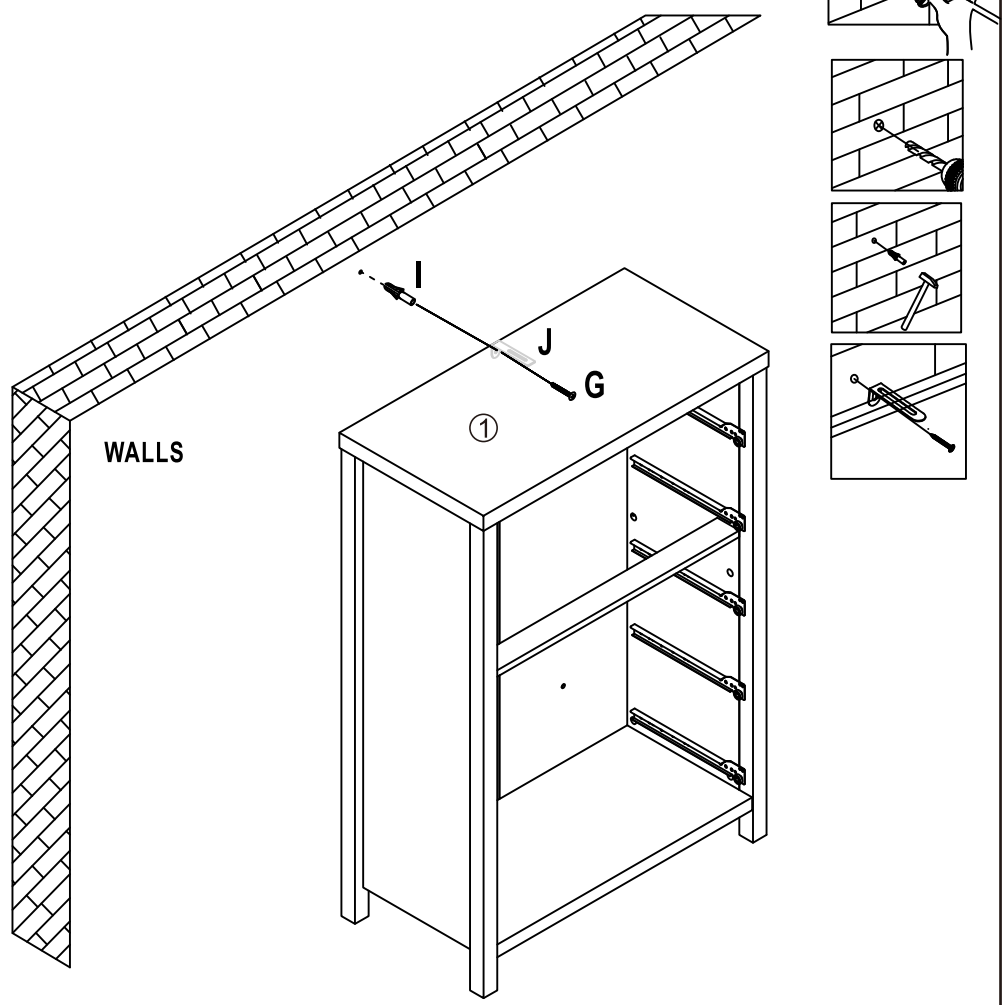
# Step 10



# Step 11

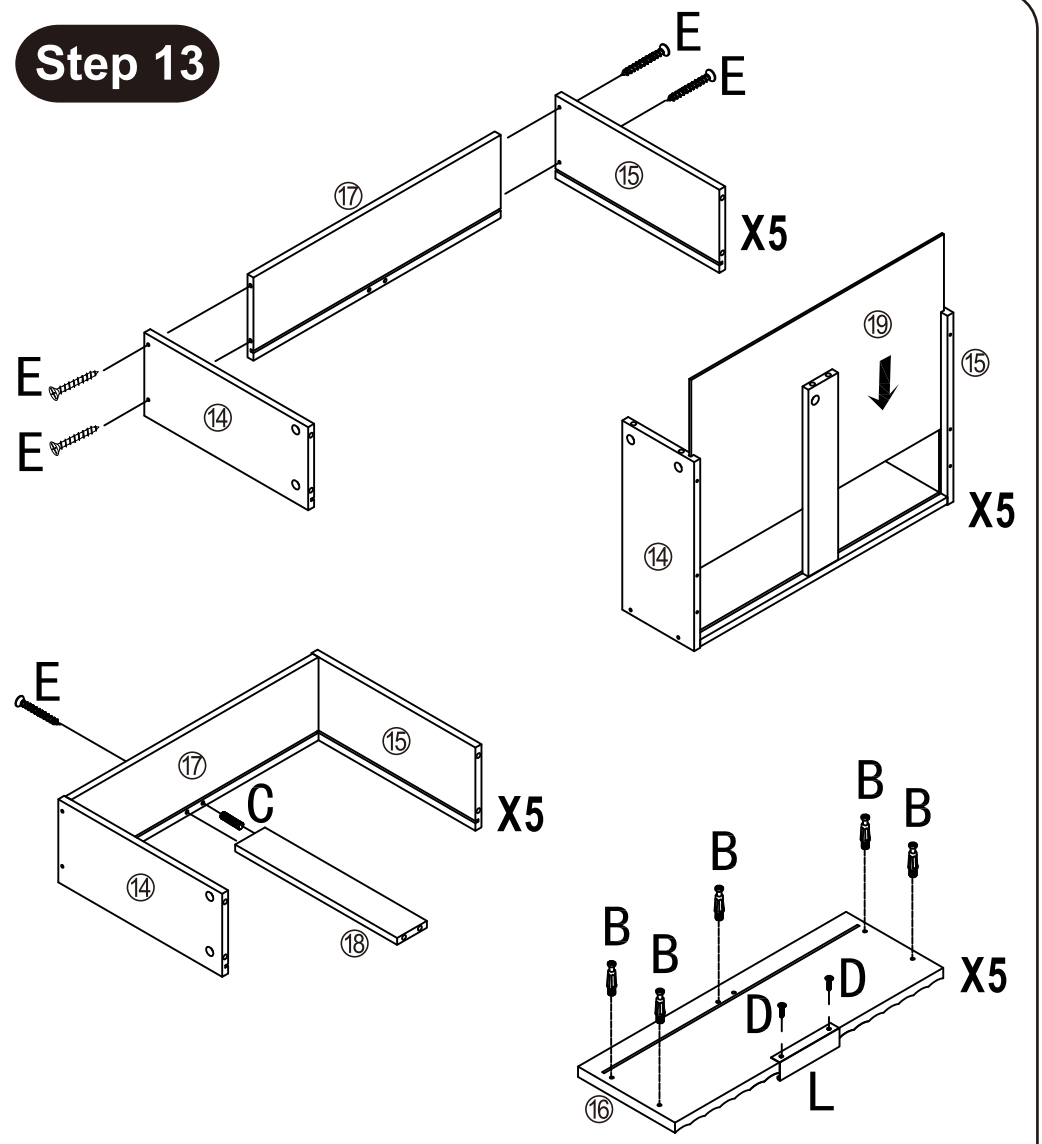


# Step 12



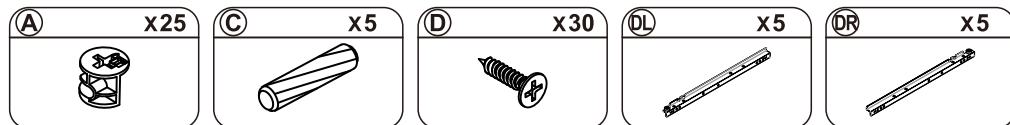
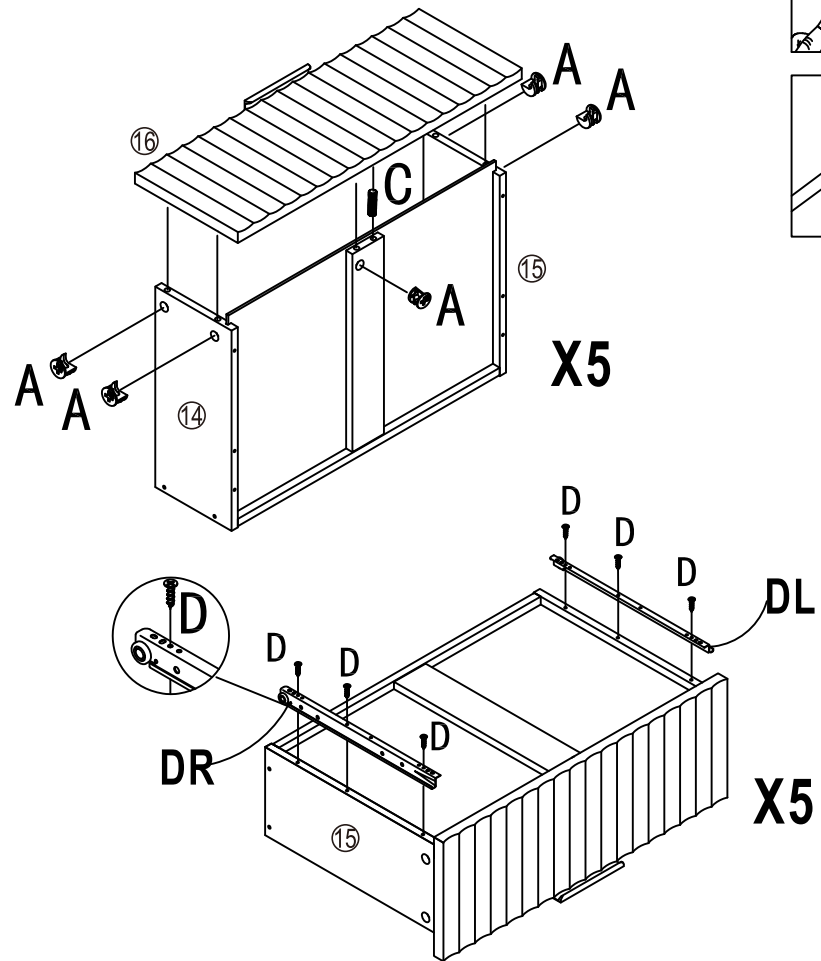
- G x1
- I x1

# Step 13



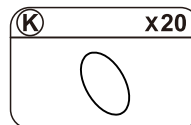
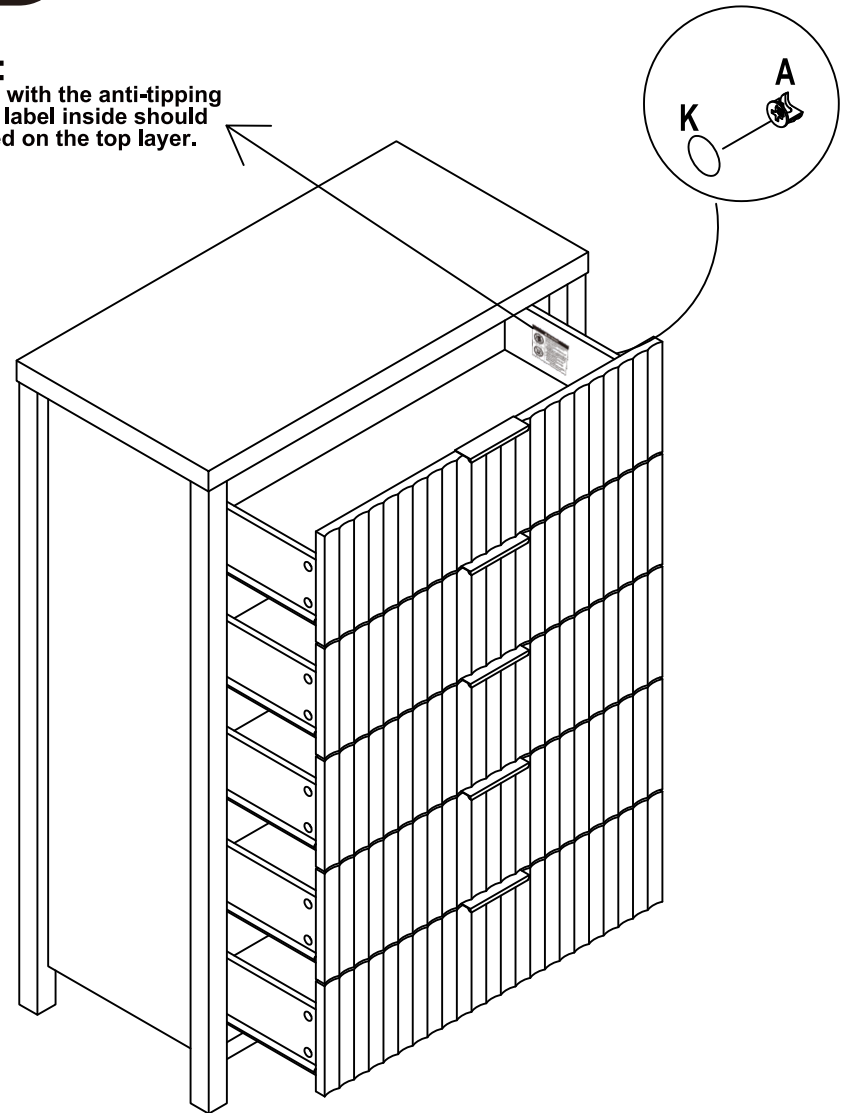
- B x25
- C x5
- D x10
- E x25
- L x5

## Step 14



## Step 15

**Note:**  
Drawers with the anti-tipping warning label inside should be placed on the top layer.



## **WARNING**



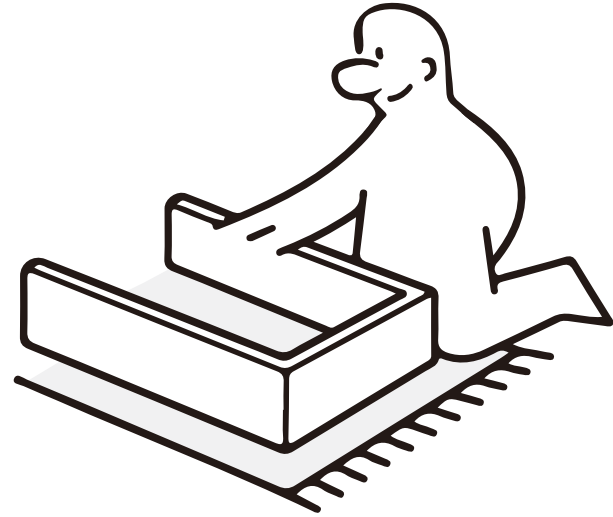
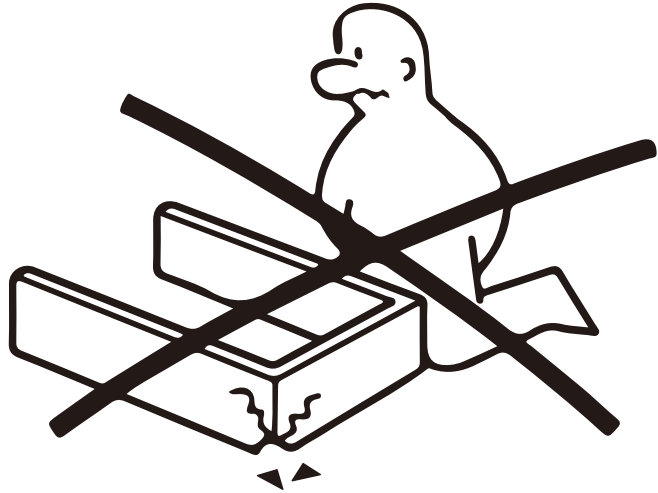
**Children have died from furniture tipover.  
To reduce the risk of furniture tipover:**

- **ALWAYS** install Anti-tip device provided.
- **NEVER** put a TV on this product.
- **NEVER** allow children to stand, climb or hang on any drawers, doors, or shelves.
- **NEVER** open more than one drawer at a time.
- Place heaviest items in the lowest drawers.



***This is a permanent label.  
Do not remove!***

※ **Stay Scratch-Free: Safeguard Your Furniture by Assembling on Carpet.**



※ **Stuck in Assembly Limbo? Check out our website or contact our support team for quick solutions!**

