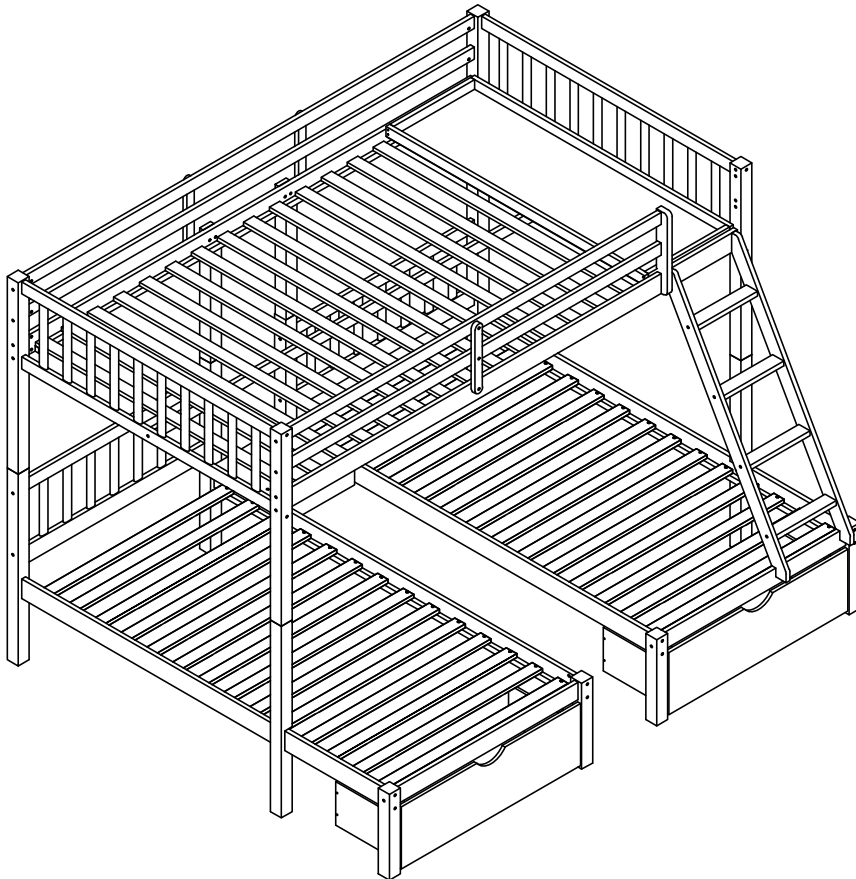


# ASSEMBLY INSTRUCTIONS

## FULL LOFT BED



This set is included 3 boxes if don't receive full 3 boxes please contact our customer service team.



# **SAFETY WARNINGS**



1. This bed is designed for use only mattress (es) meeting the following specifications on the upper bunk, and lower bunk:

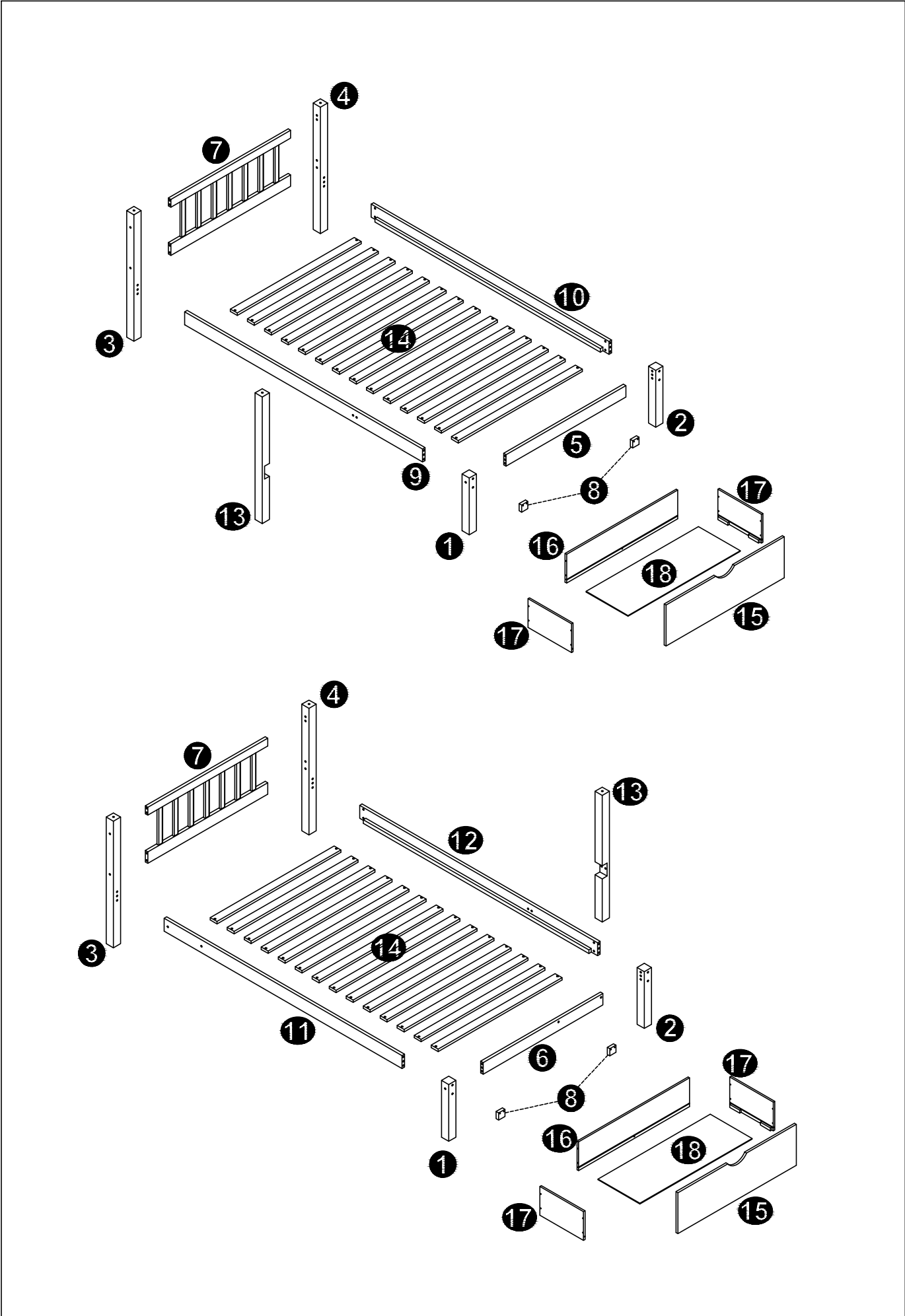
Down bed:

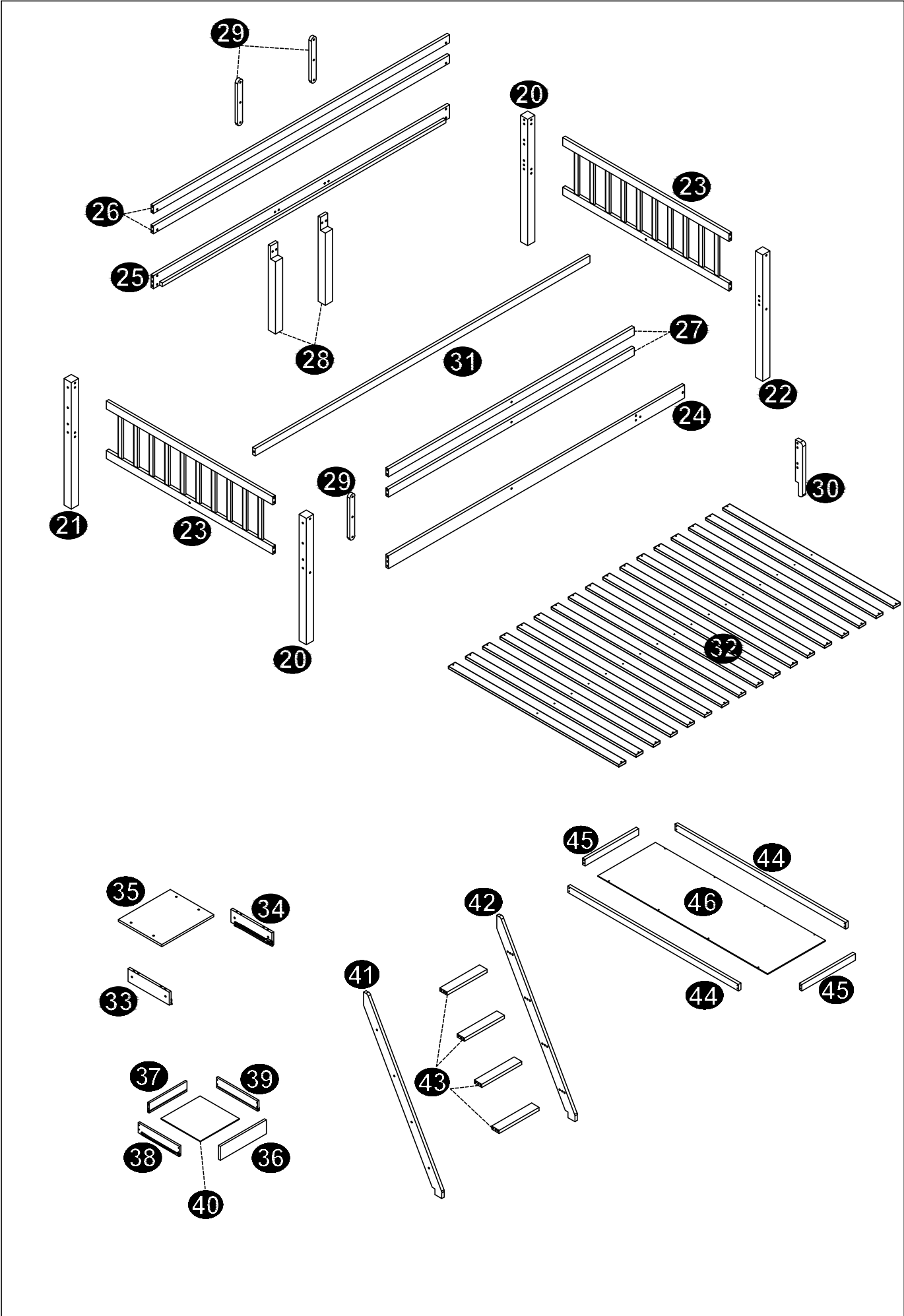
Bed type	Length	Width	Thickness
Twin Standard	74" – 75"	38 ½"	6" max

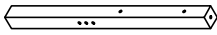
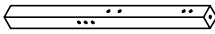
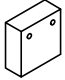

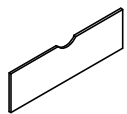

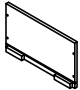
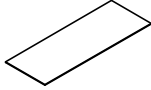
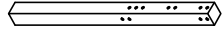
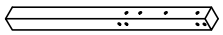
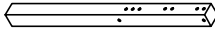


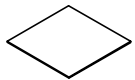
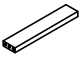
Up bed (bunk bed and tribed included)




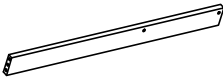
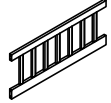
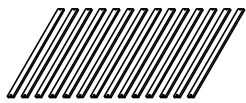
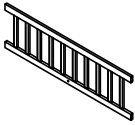
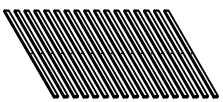
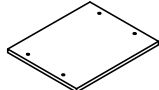
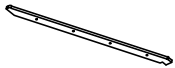



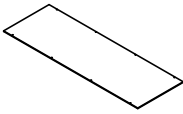
Bed type	Length	Width	Thickness
Full Standard	74" – 75"	53 ½"	6" max











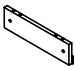

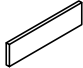



2. Replacement parts, including additional guardrails, maybe obtained from any of our (GIGACLOUD TECHNOLOGY (USA). INC) dealers.
3. Follow the information on the warnings appearing on the upper bunk bed end structure and on the carton. Do not remove warning label from bed.
4. Always use the recommended size mattresses or mattress supports, or both, to help prevent the likelihood of entrapment or falls.
5. Surface of mattress must be at least 5" (127mm) below the upper edge of guardrails.
6. Do not allow children under 6 years of age to use the upper bunk.
7. Periodically check and ensure that the guardrail, ladder, and other components are in their proper position, free from damage, and that all connectors are tight.
8. Do not allow horseplay on or under the bed and prohibit jumping on the bed.
9. Always use the ladder for entering and leaving the upper bunk.
10. Do not use substitute part. Contact the manufacture or dealer for replacement part.
11. Use of a night light may provide added safety precaution for a child using the upper bunk.
12. Always use guardrails on both long sides of the upper bunk. If the bunk bed will be placed next to the wall, the guardrail that runs the full length of the bed should be placed against the wall to prevent entrapment between the bed and wall.
13. The use of water or sleep flotation mattresses is prohibited.
14. STRANGULATION HAZARD – Never attach or hang items to any part of the bunk bed that are not designed for use with the bed; for example, but not limited to, hook, belts and jump ropes.
15. Keep these instruction for future reference.

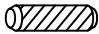
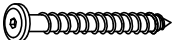


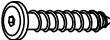

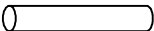










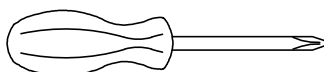
<b>3</b>  Long left leg-2pcs	<b>4</b>  Long right leg-2pcs	<b>8</b>  Wood lock-4pcs
<b>13</b>  Between leg support-2pcs	<b>15</b>  Drawer big-front frame-2pcs	<b>16</b>  Drawer big-back board-2pcs
<b>17</b>  Drawer big-side board-4pcs	<b>18</b>  Drawer big-bottom board-2pcs	<b>20</b>  Up floor-front left and back right leg-2pcs
<b>21</b>  Up floor-back left leg-1pc	<b>22</b>  Up floor-front right leg-1pc	<b>28</b>  Up floor-between leg support-2pcs
<b>30</b>  Up floor-vertical bar-1pc	<b>40</b>  Drawer small-bottom board-1pc	<b>43</b>  Ladder-step-4pcs

<p><b>1</b></p>  <p>Short left leg-2pcs</p>	<p><b>2</b></p>  <p>Short right leg-2pcs</p>	<p><b>5</b></p>  <p>Foot bed horizontal bar left-1pc</p>
<p><b>6</b></p>  <p>Foot bed horizontal bar right-1pc</p>	<p><b>7</b></p>  <p>Head bed frame-2pcs</p>	<p><b>14</b></p>  <p>Slat frame (lower)-28pcs</p>
<p><b>23</b></p>  <p>Up floor-head frame-2pcs</p>	<p><b>32</b></p>  <p>Up floor-slat frame-17pcs</p>	<p><b>35</b></p>  <p>Shelf top-1pc</p>
<p><b>41</b></p>  <p>Ladder-left leg-1pc</p>	<p><b>42</b></p>  <p>Ladder-right leg-1pc</p>	<p><b>44</b></p>  <p>Tray-long bar-2pcs</p>
<p><b>45</b></p>  <p>Tray-short bar-2pcs</p>	<p><b>46</b></p>  <p>Tray-bottom-1pc</p>	

<b>9</b>  Bed left-left side rail-1pc	<b>10</b>  Bed left-right side rail-1pc	<b>11</b>  Bed right-left side rail-1pc
<b>12</b>  Bed right-right side rail-1pc	<b>24</b>  Up floor-front side rail-1pc	<b>25</b>  Up floor-back side rail-1pc
<b>26</b>  Up floor-back horizontal bar-2pcs	<b>27</b>  Up floor-front horizontal bar-2pcs	<b>29</b>  Up floor-vertical bar support-3pcs
<b>31</b>  Up floor-center support bar-1pc	<b>33</b>  Shelf side left-1pc	<b>34</b>  Shelf side right-1pc
<b>36</b>  Drawer small-front frame-1pc	<b>37</b>  Drawer small-back board-1pc	<b>38</b>  Drawer small-side board left-1pc
<b>39</b>  Drawer small-side board right-1pc		


<b>A</b>  Ø8*30mm Wood dowel (64pcs)	<b>B</b>  Ø6*100mm Hex-Head screw (20pcs)	<b>C</b>  Ø1/4"*100mm Hex-Head bolt (30pcs)
<b>D</b>  Ø1/4" Horizontal-Hole bolt (32pcs)	<b>E</b>  Ø6*30mm Hex-Head screw (23pcs)	<b>F</b>  Ø6*50mm Hex-Head screw (14pcs)
<b>G</b>  Ø10*90mm Metal dowel (6pc)	<b>H</b>  Ø1/4"*60mm Hex-Head bolt (2pcs)	<b>I</b>  Wheel (8pcs)
<b>J</b>  #4*30mm Screw (151pcs)	<b>K</b>  #3*15mm Screw (16pcs)	<b>L</b>  Ø1/4"*35mm Hex-Head bolt (4pcs)
<b>M</b>  K4mm Allen key (1pc)		

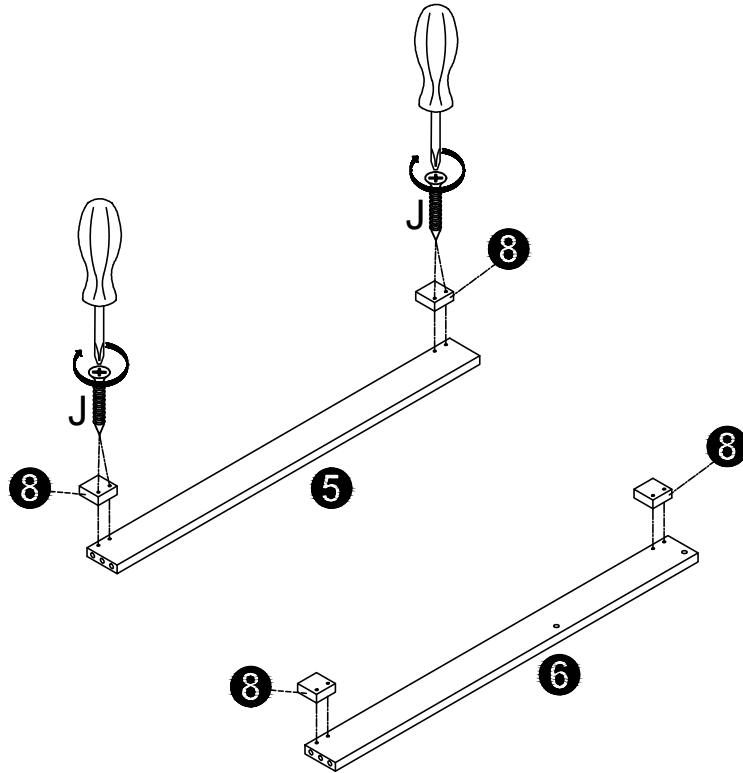
ASSEMBLY TOOLS REQUIRED ( NOT INCLUDED )





**PLEASE BE CAREFUL DO NOT DAMAGE THE HOLE POSITION WHEN YOU USE POWER TOOLS !**

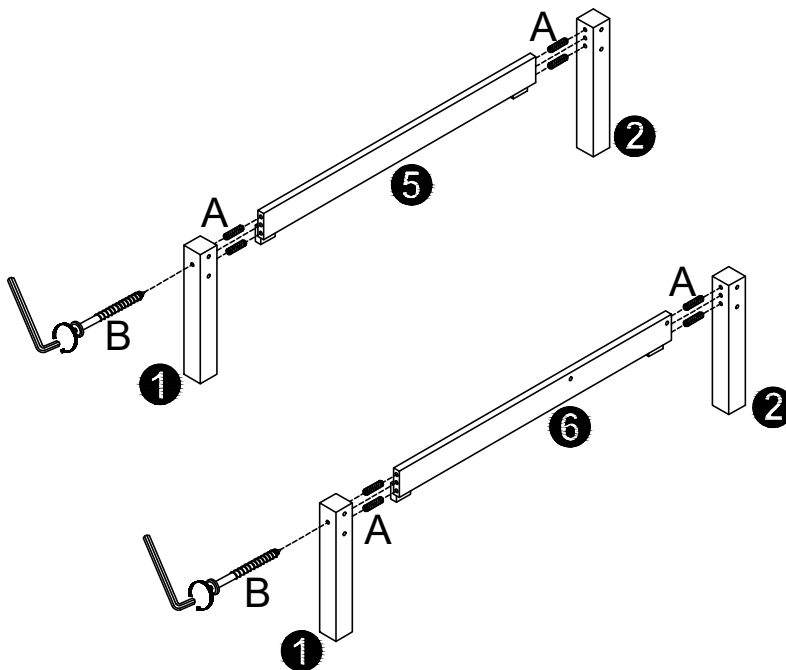
STEP 1:

J

8PCS





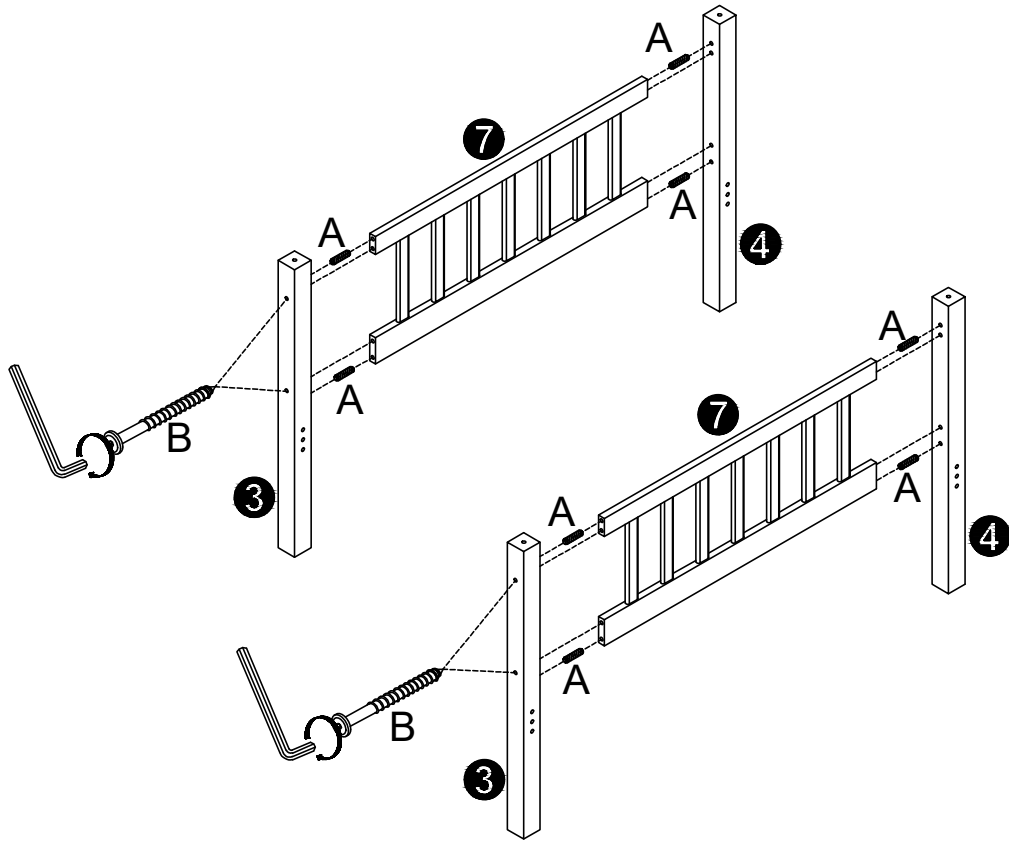
STEP 2:

A	B
	
8PCS	4PCS






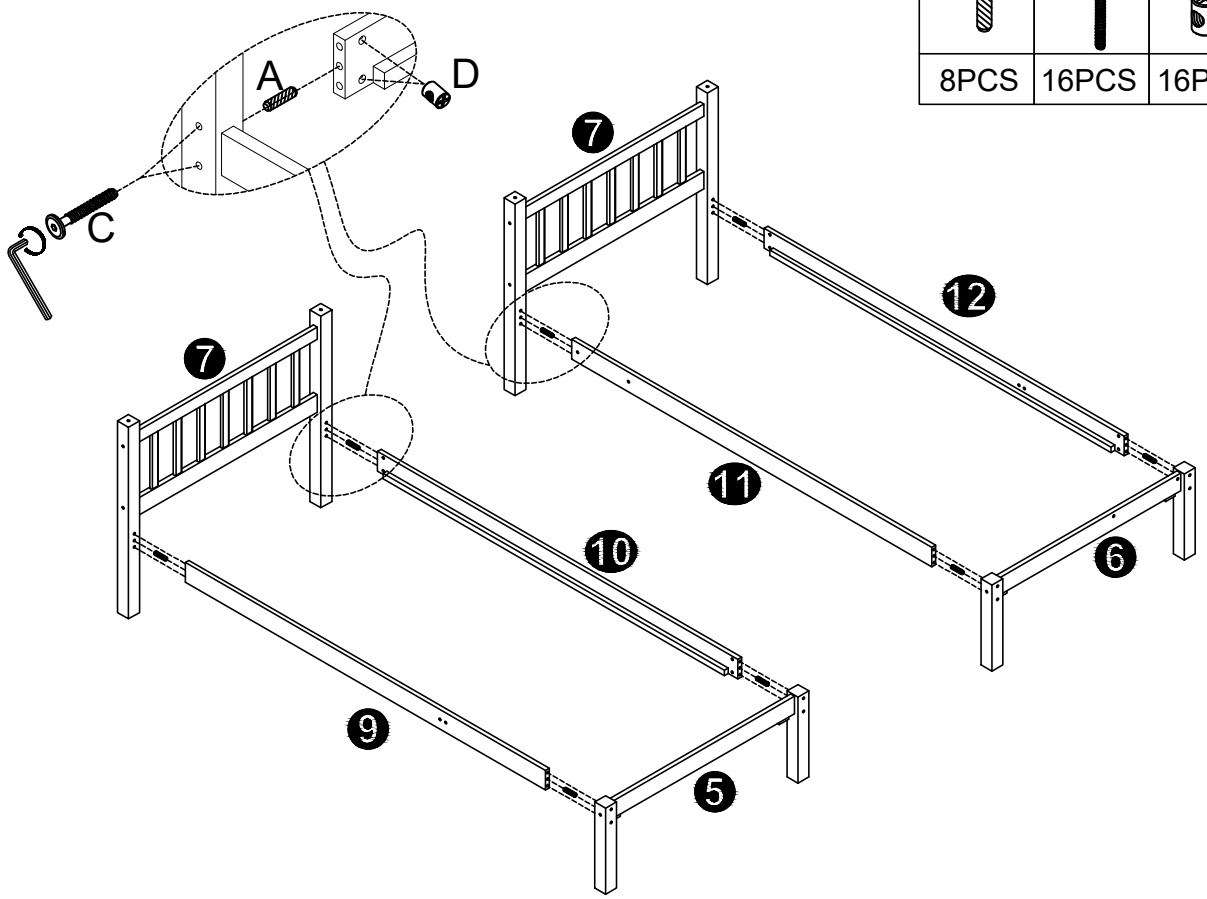
**STEP 3:**

A	B
	
8PCS	8PCS




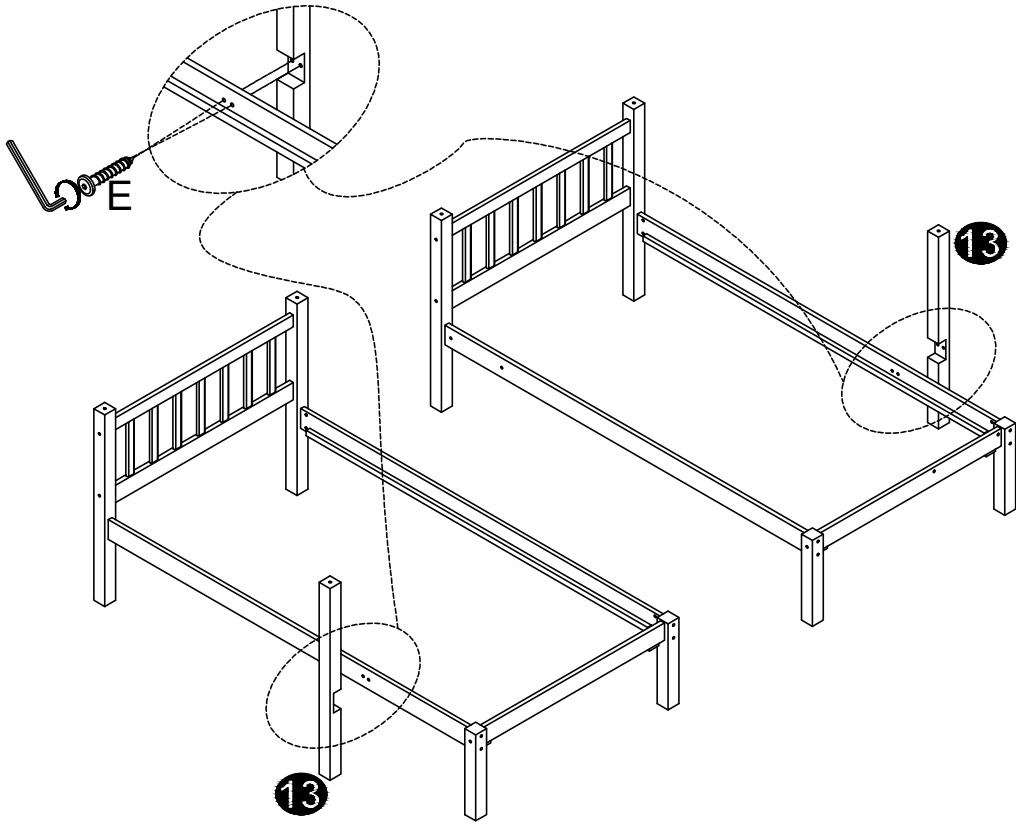
**STEP 4:**

A	C	D
		
8PCS	16PCS	16PCS




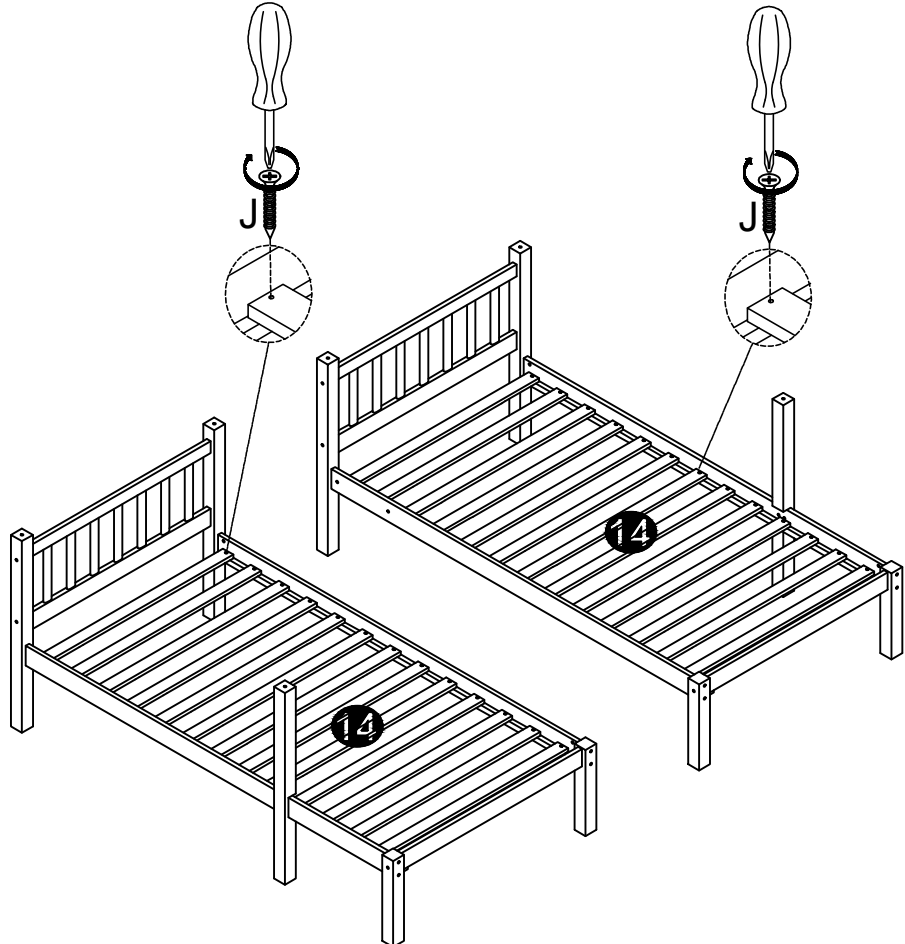
**STEP 5:**

<b>E</b>

<b>4PCS</b>




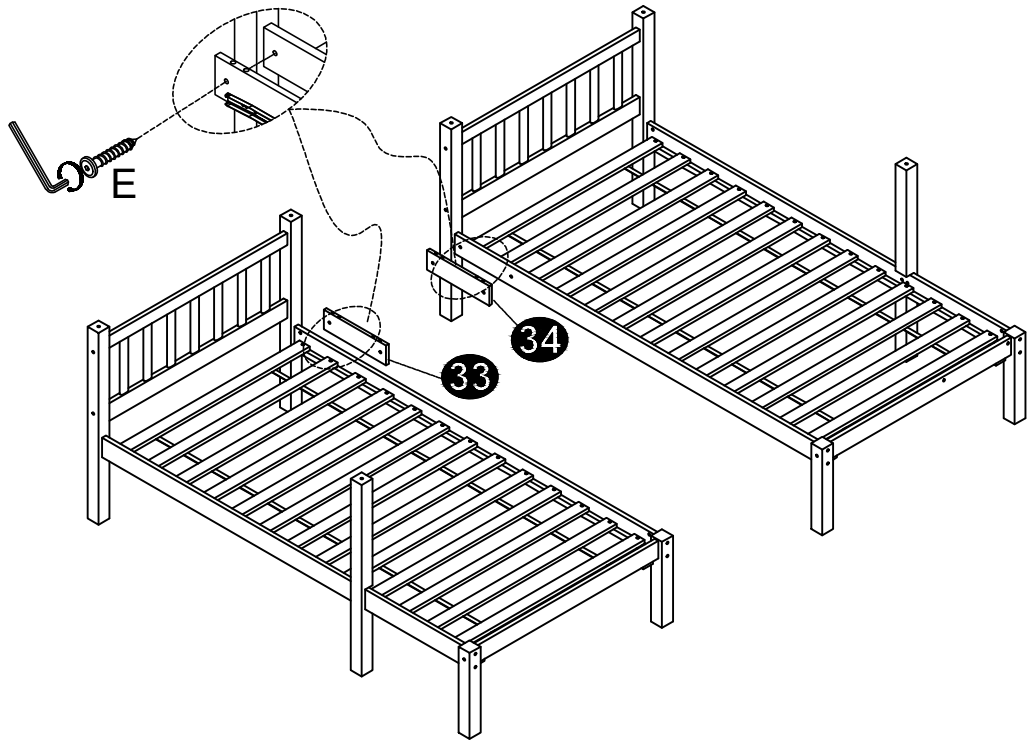
**STEP 6:**

<b>J</b>

<b>56PCS</b>





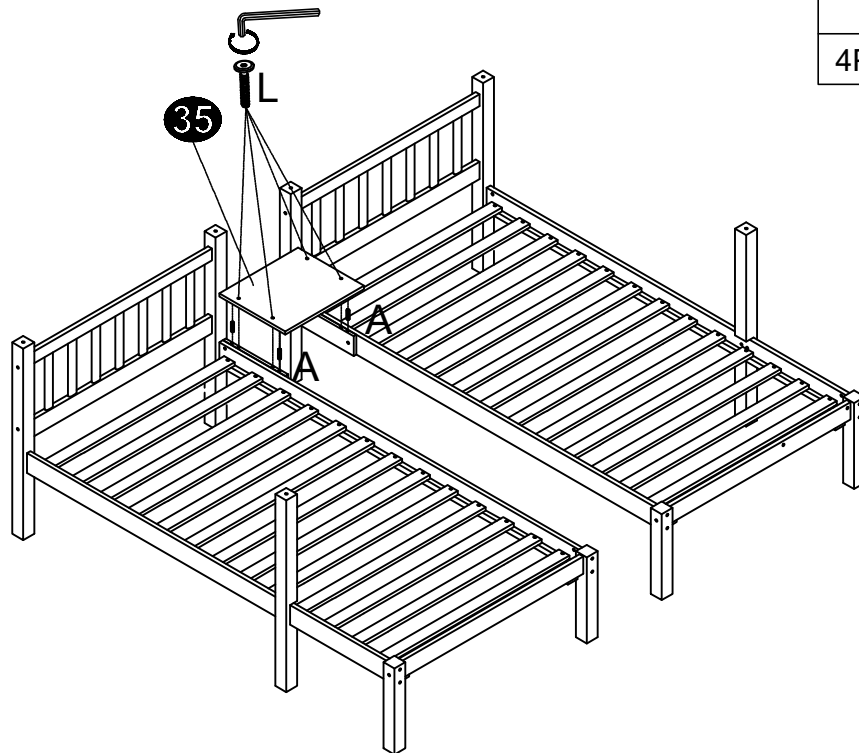
STEP 7:

E

4PCS




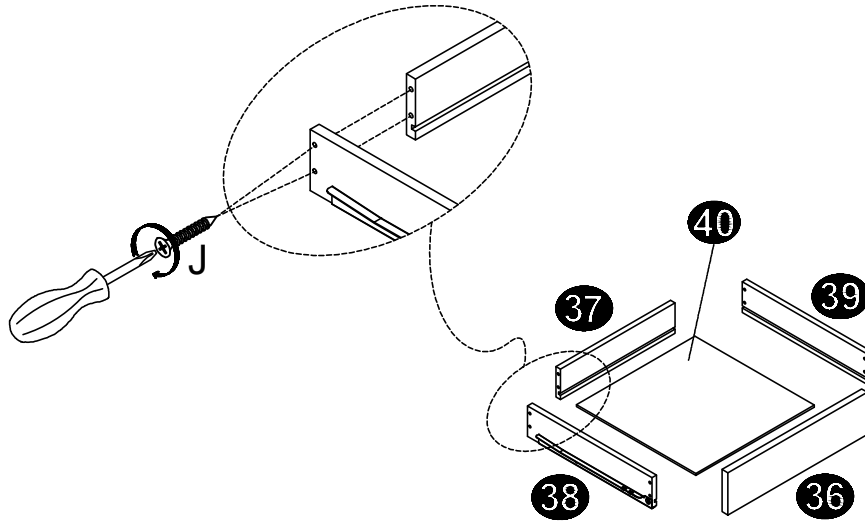
STEP 8:

A	L
	
4PCS	4PCS

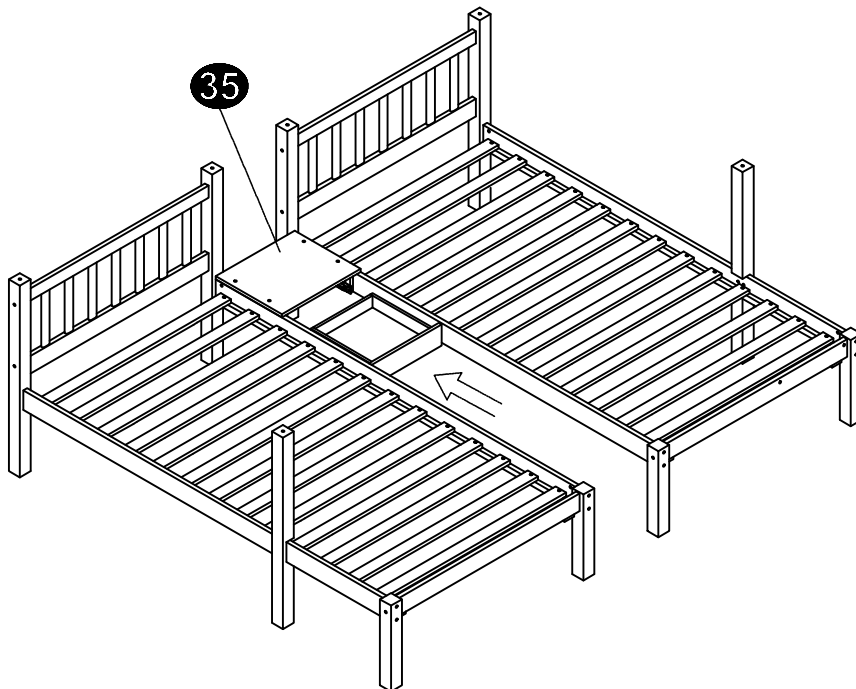


STEP 9:



J

8PCS

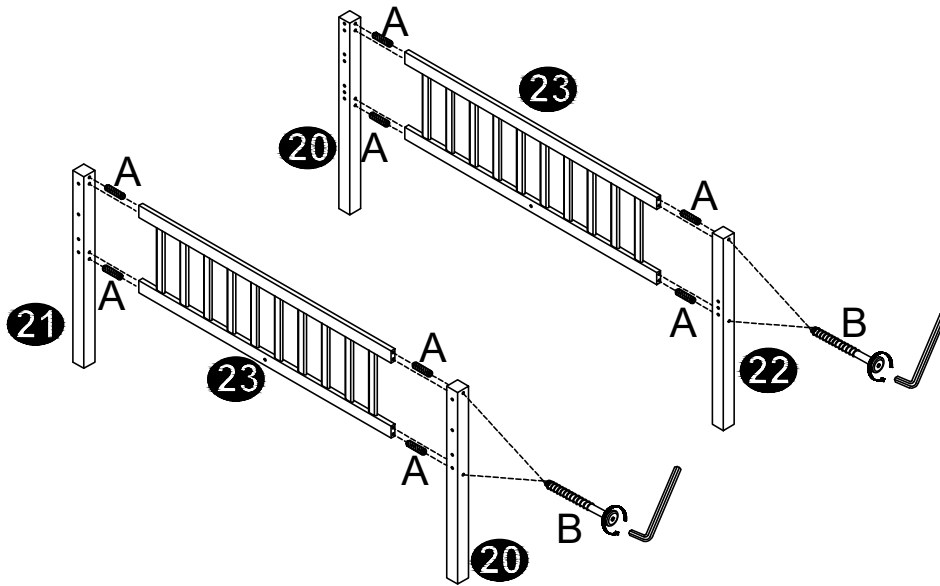


STEP 10:






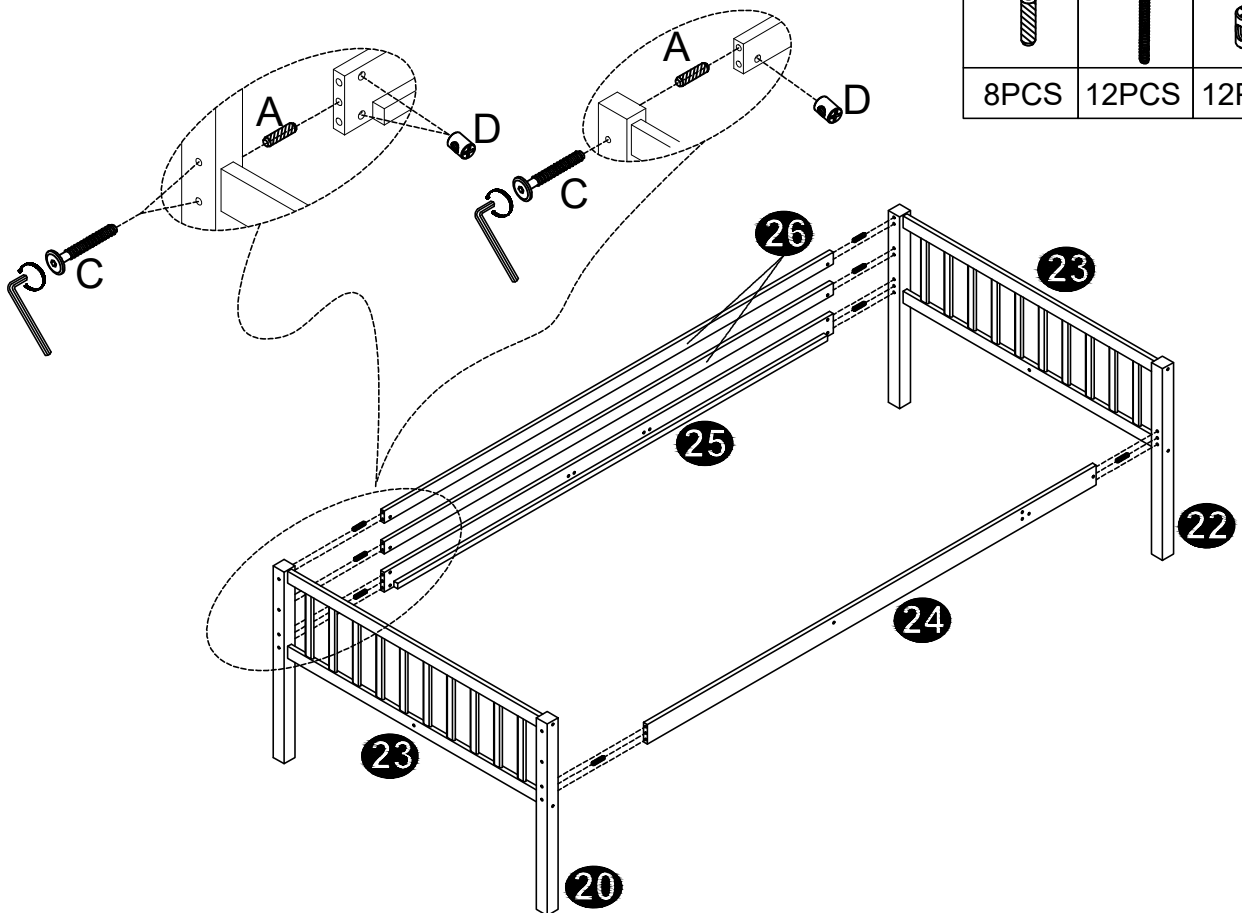
**STEP 11**

A	B
	
8PCS	8PCS




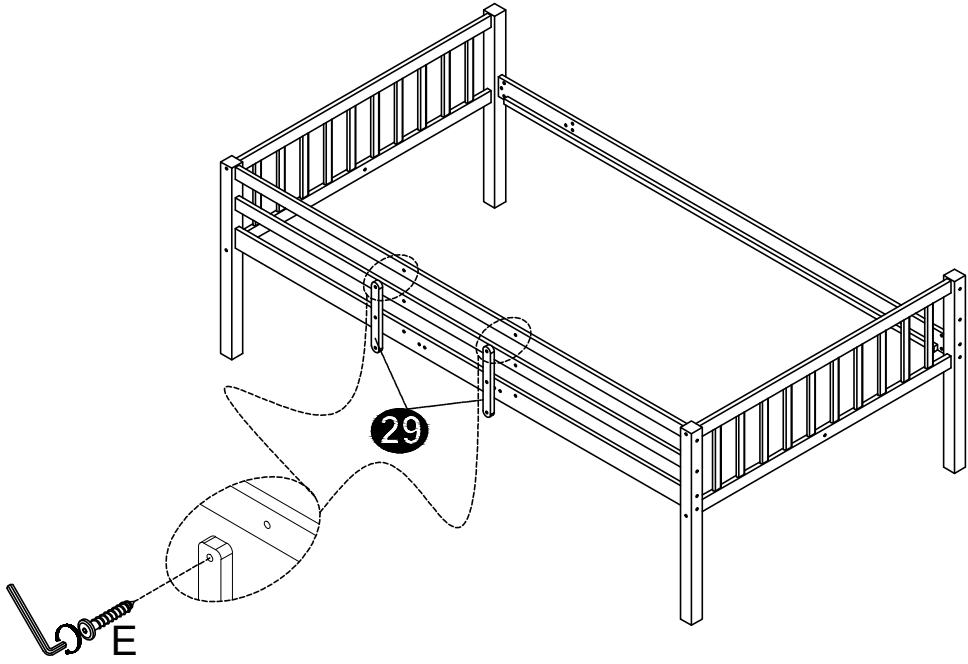
**STEP 12:**

A	C	D
		
8PCS	12PCS	12PCS




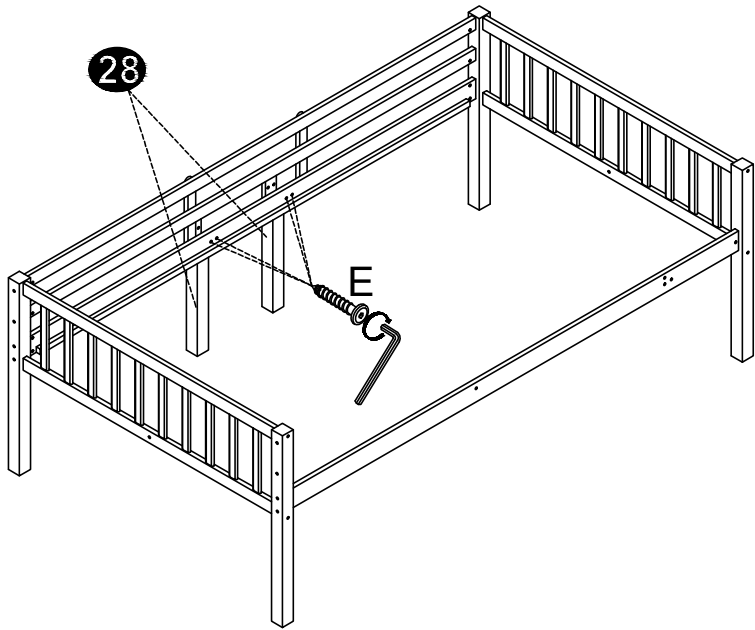
STEP 13:

E  
  
6PCS






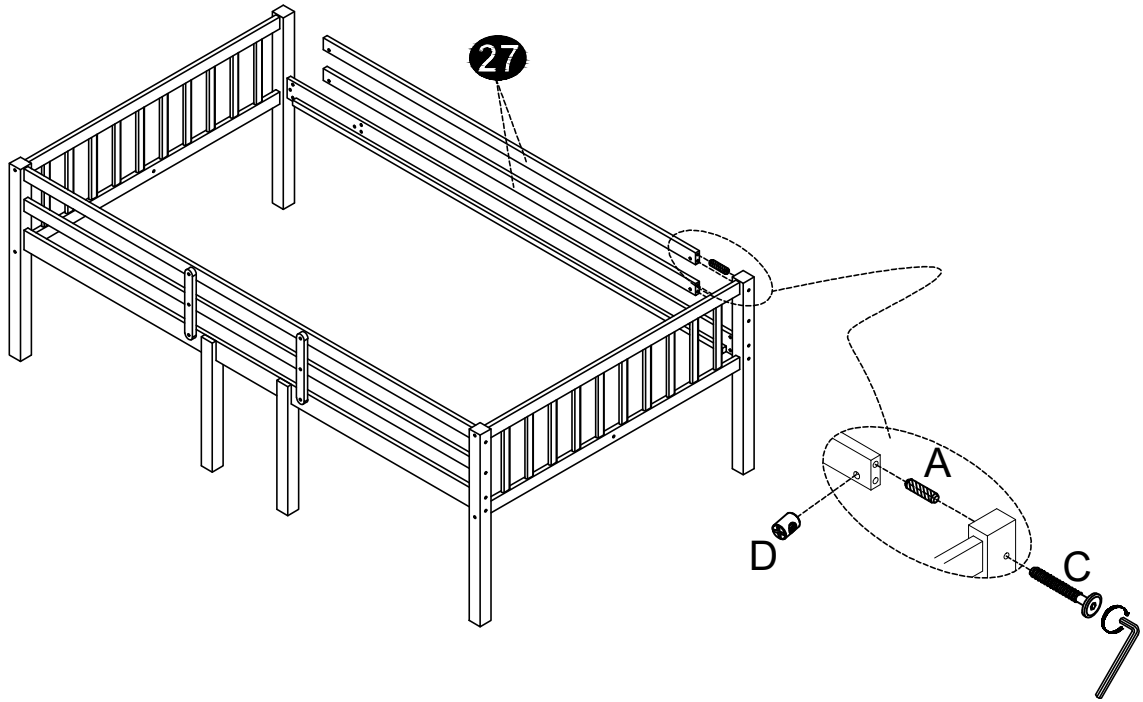
STEP 14:

E  
  
4PCS







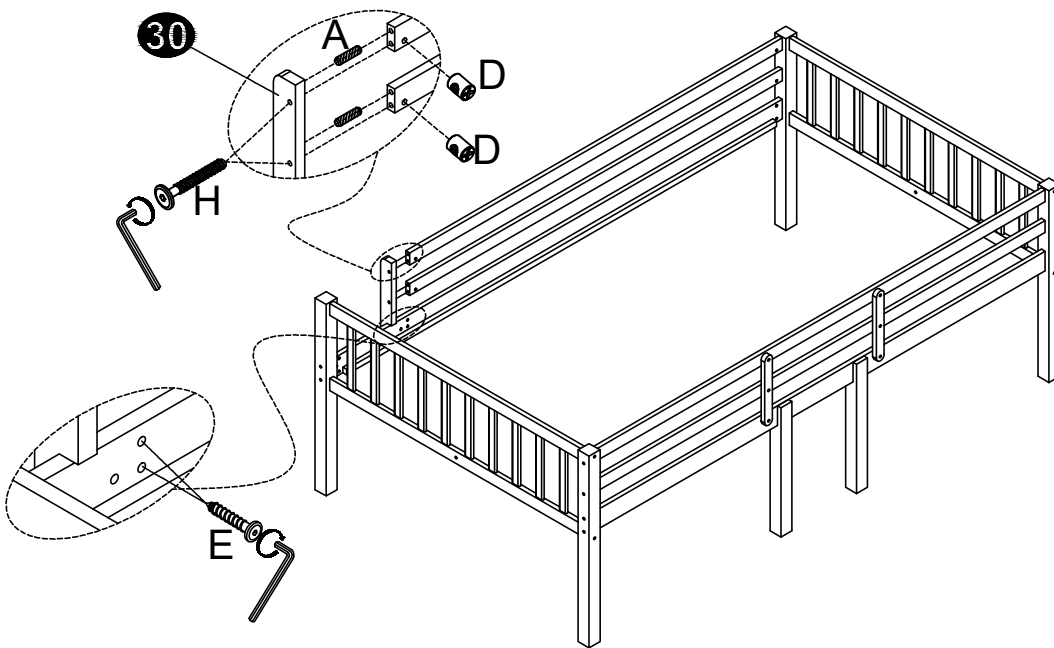
**STEP 15:**

A	C	D
		
2PCS	2PCS	2PCS




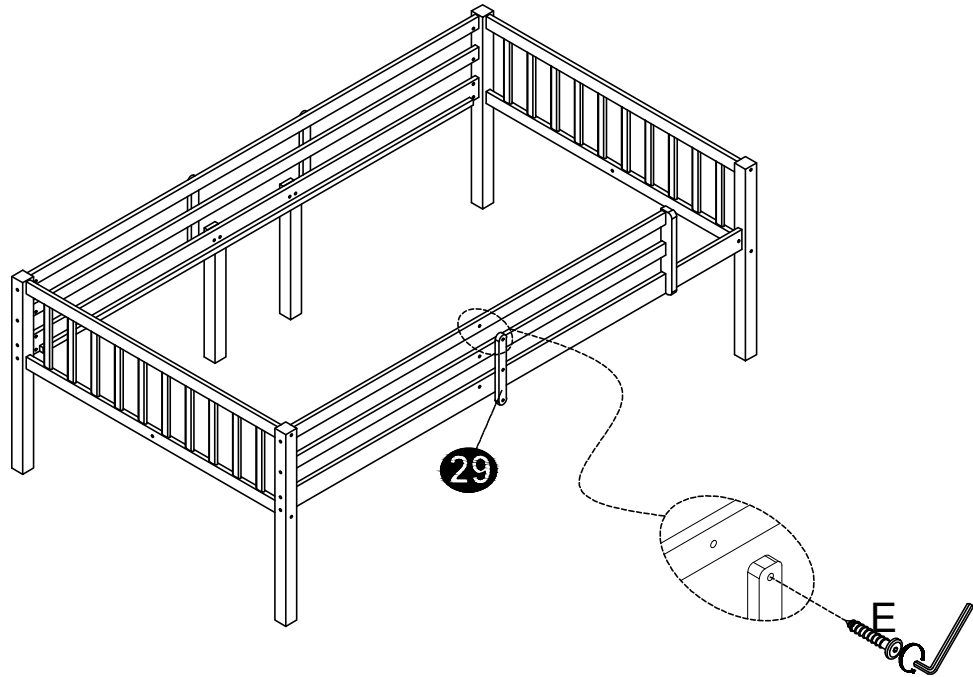
**STEP 16:**

E	A	H	D
			
2PCS	2PCS	2PCS	2PCS




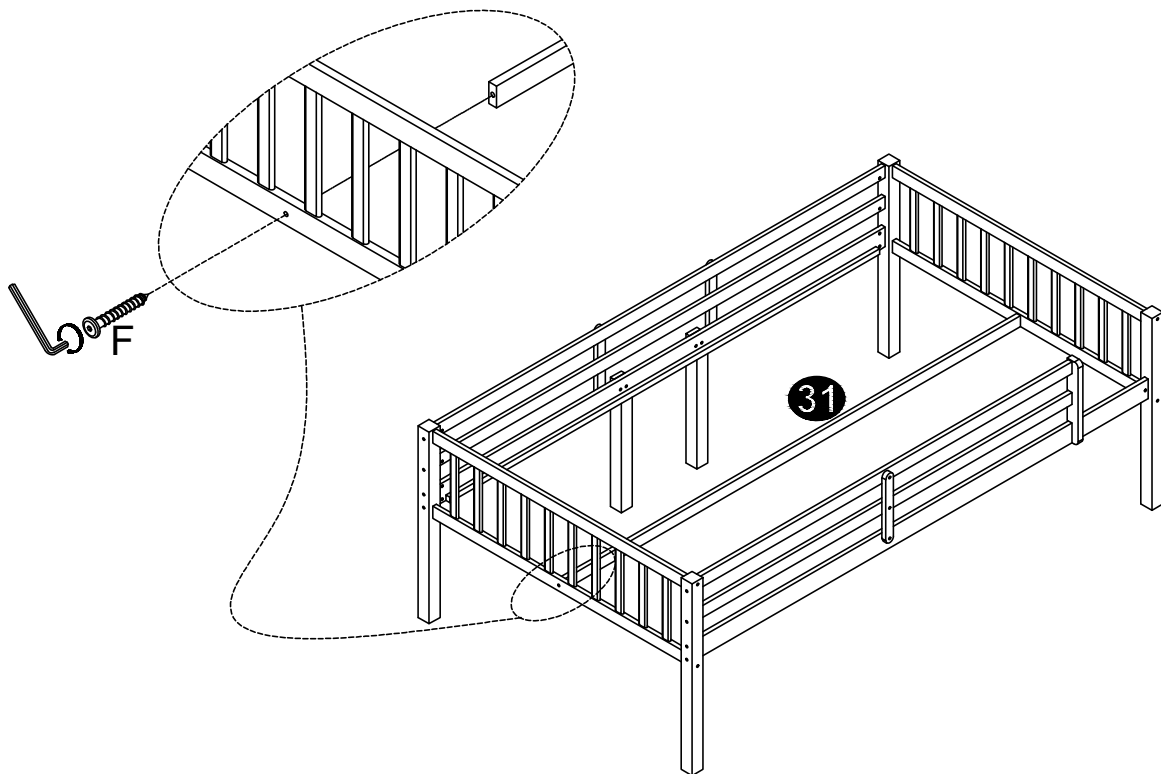
STEP 17:

E  
  
3PCS




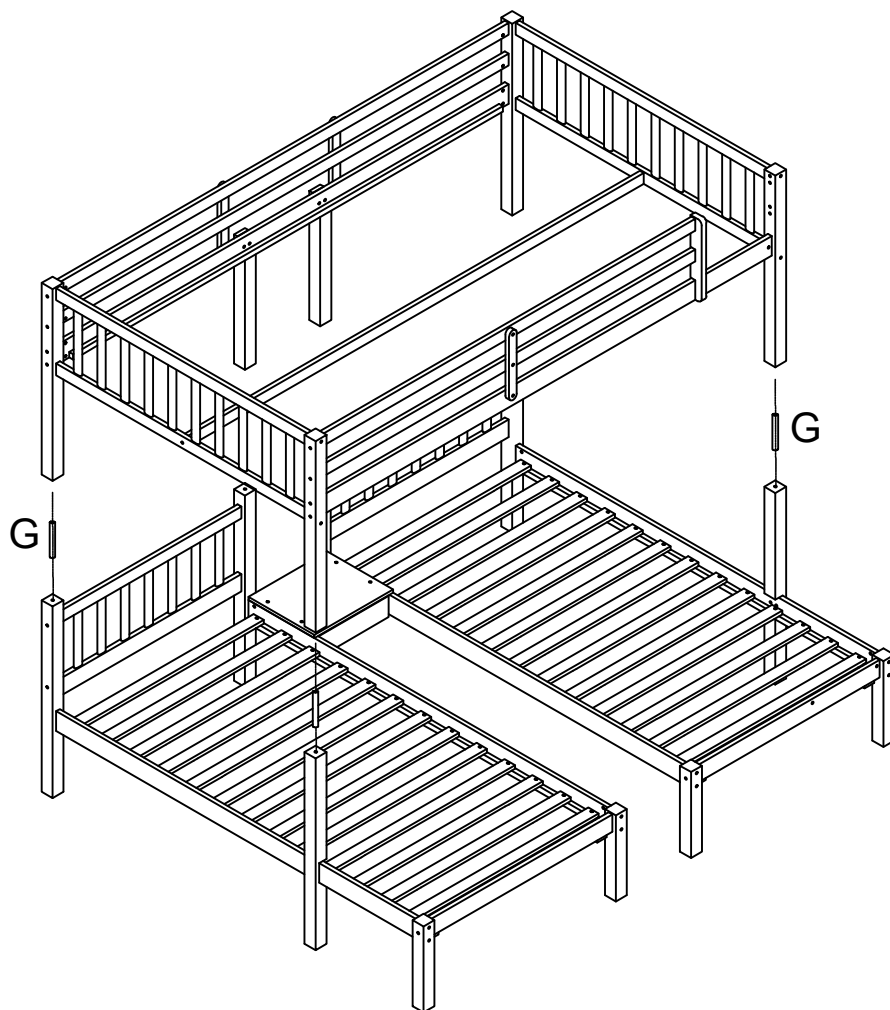
STEP 18:

F  
  
2PCS





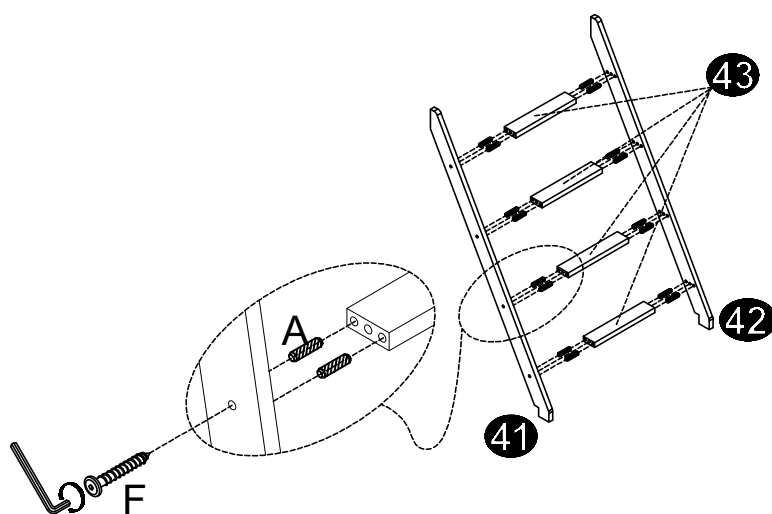
STEP 19:

G

6PCS




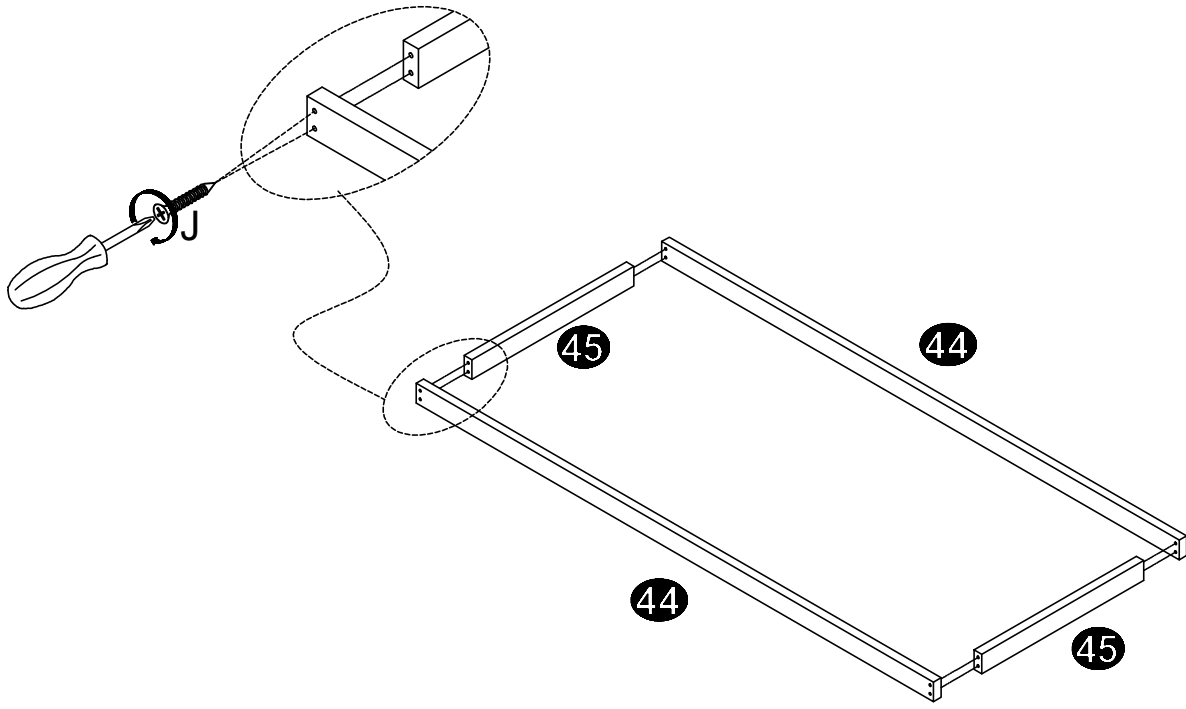
STEP 20:

A	F
	
16PCS	8PCS



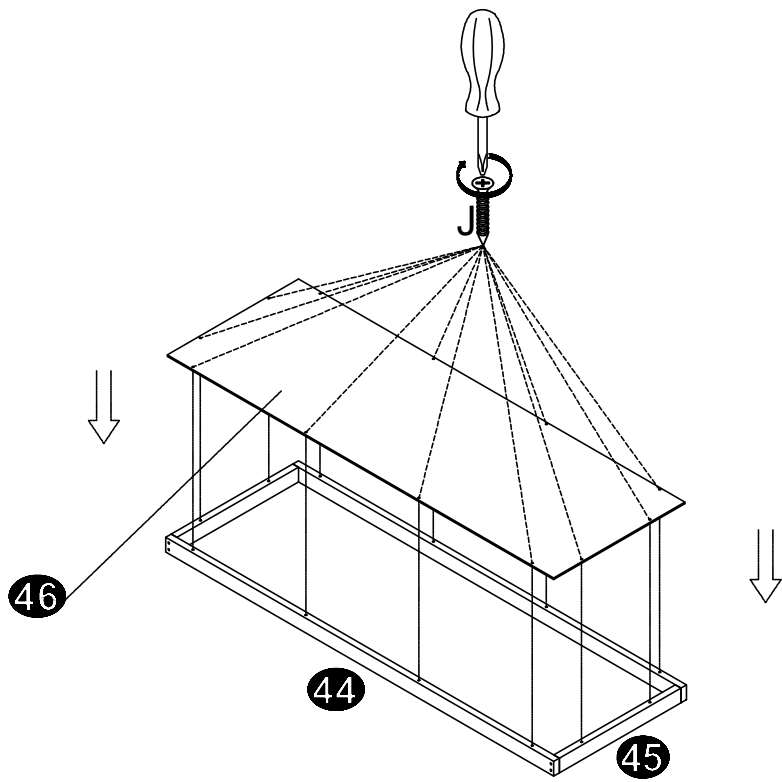
STEP 21:

J  
  
8PCS




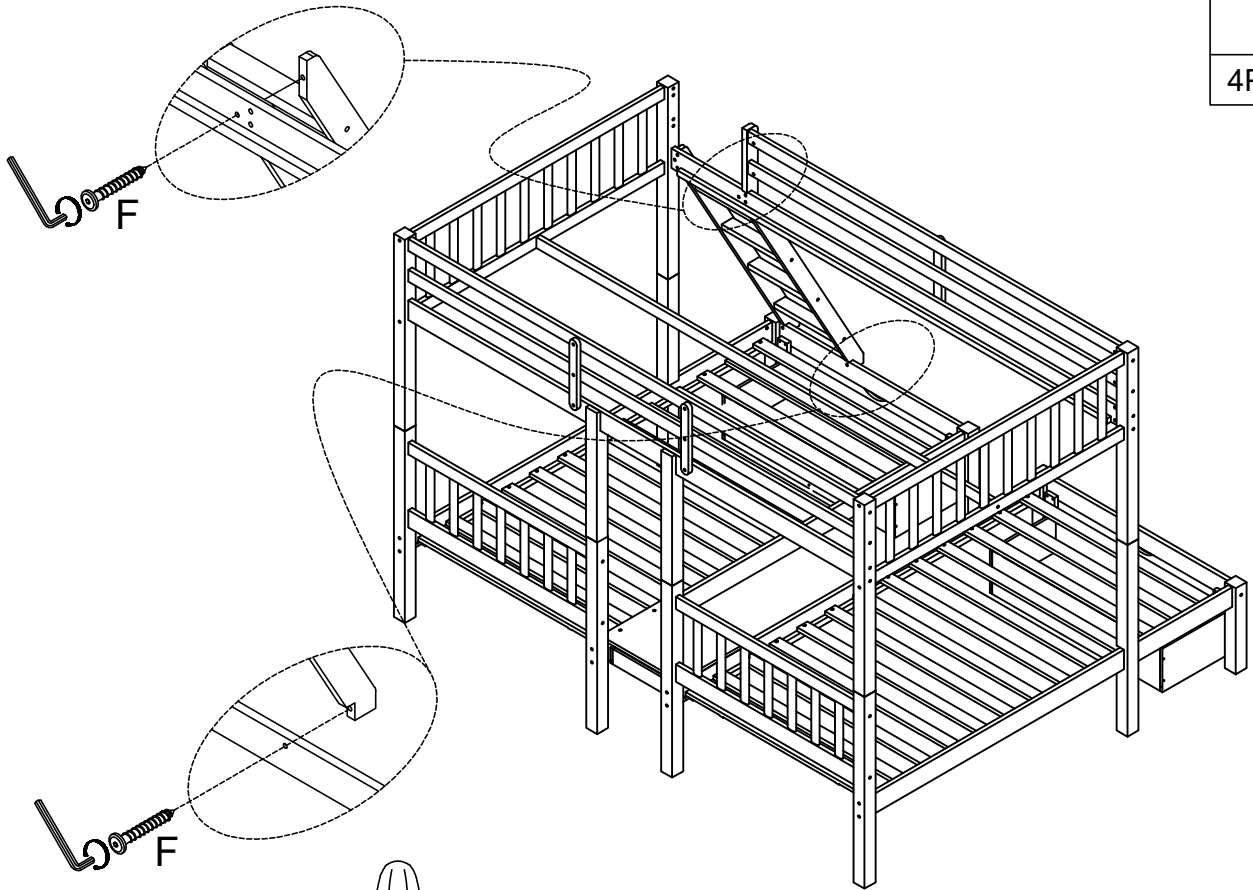
STEP 22:

J  
  
12PCS




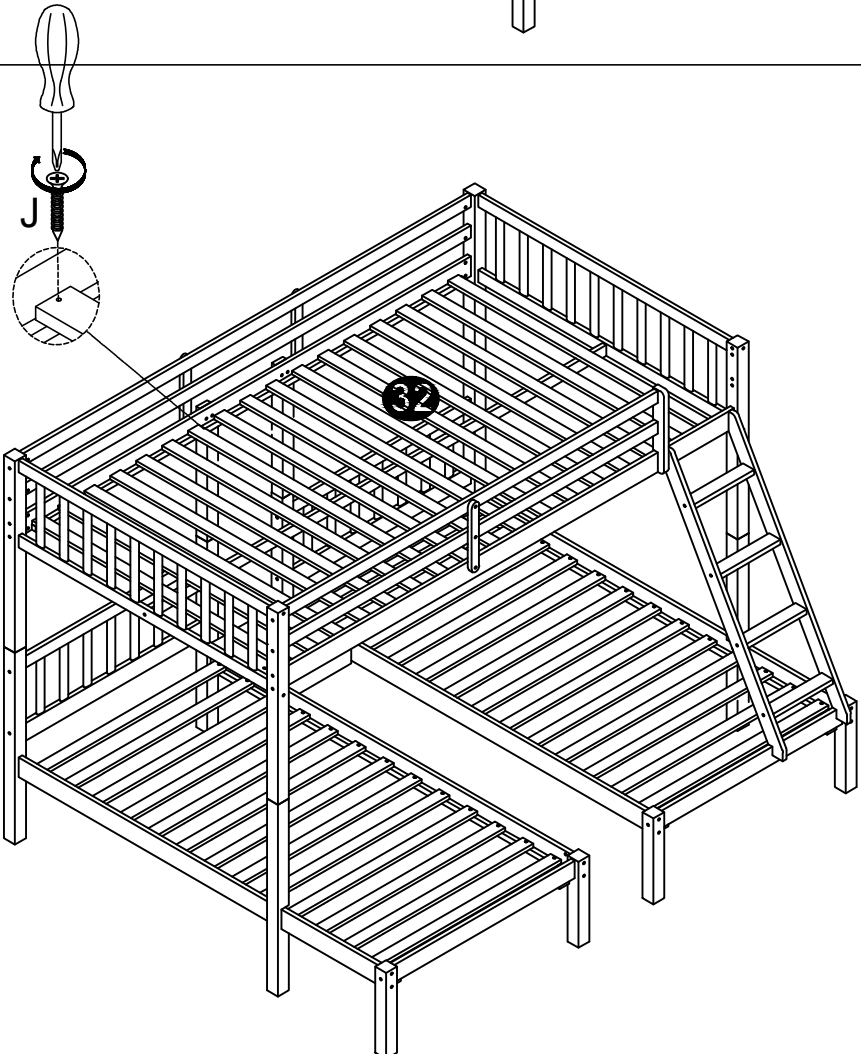
**STEP 23:**

**F**  
  
**4PCS**




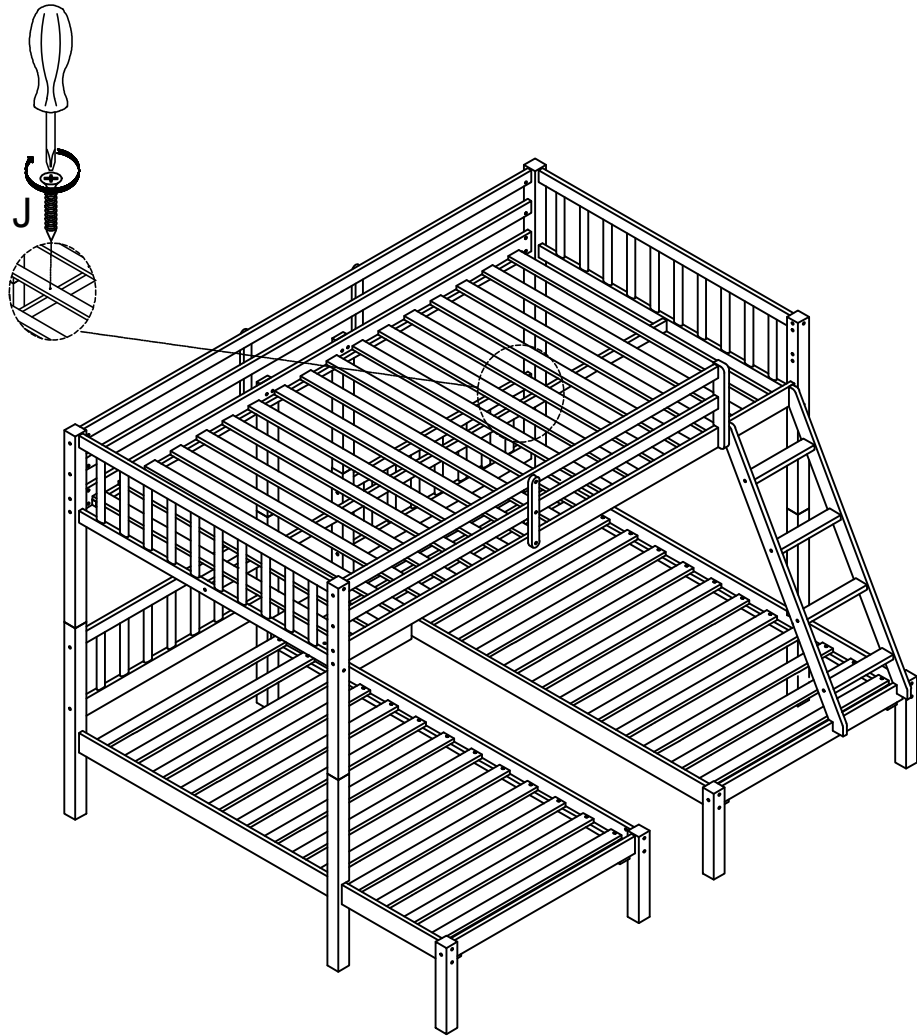
**STEP 24:**

**J**  
  
**34PCS**

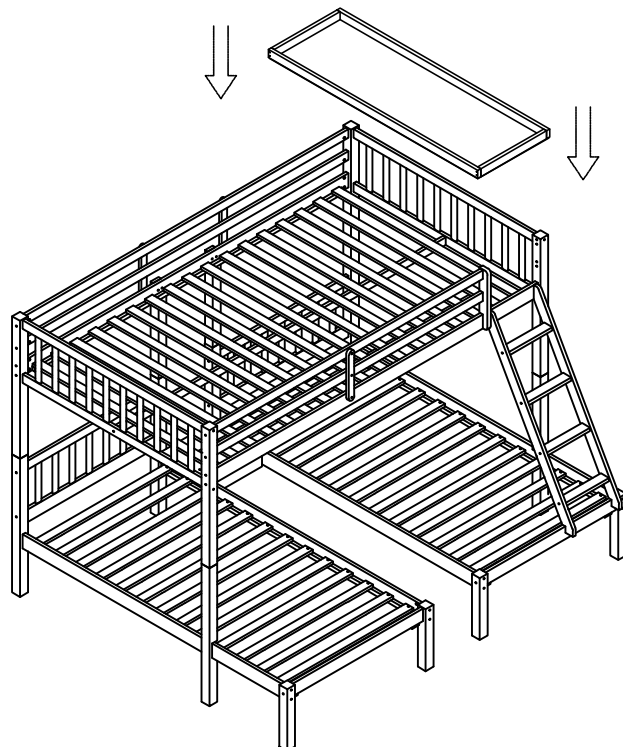


STEP 25:


J  
  
17PCS

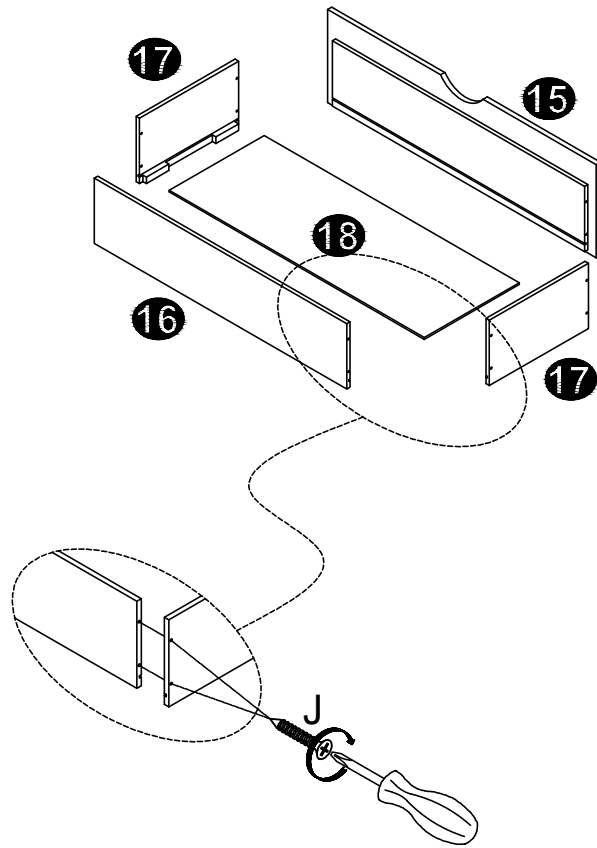


STEP 26;





STEP 27:

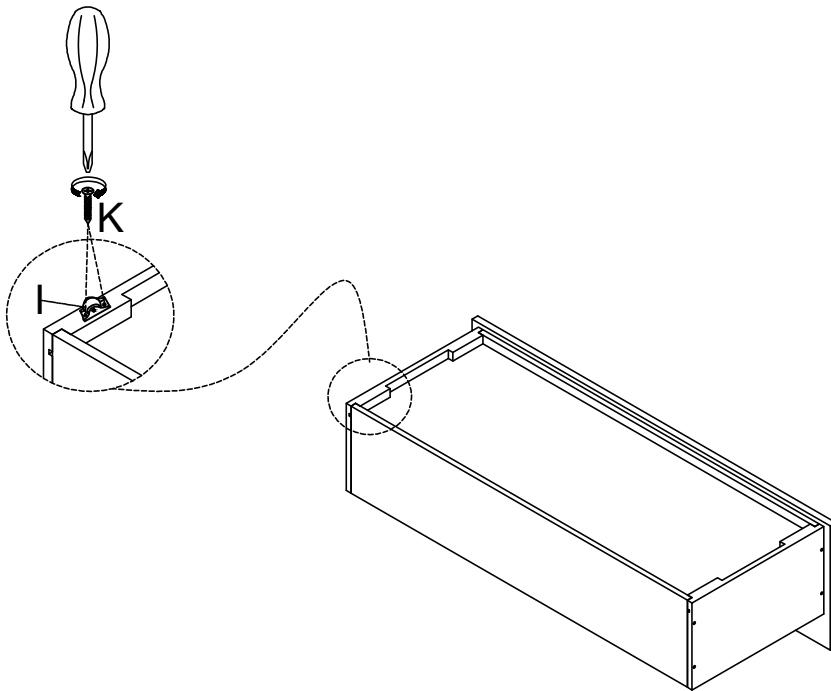
J

16PCS



X2

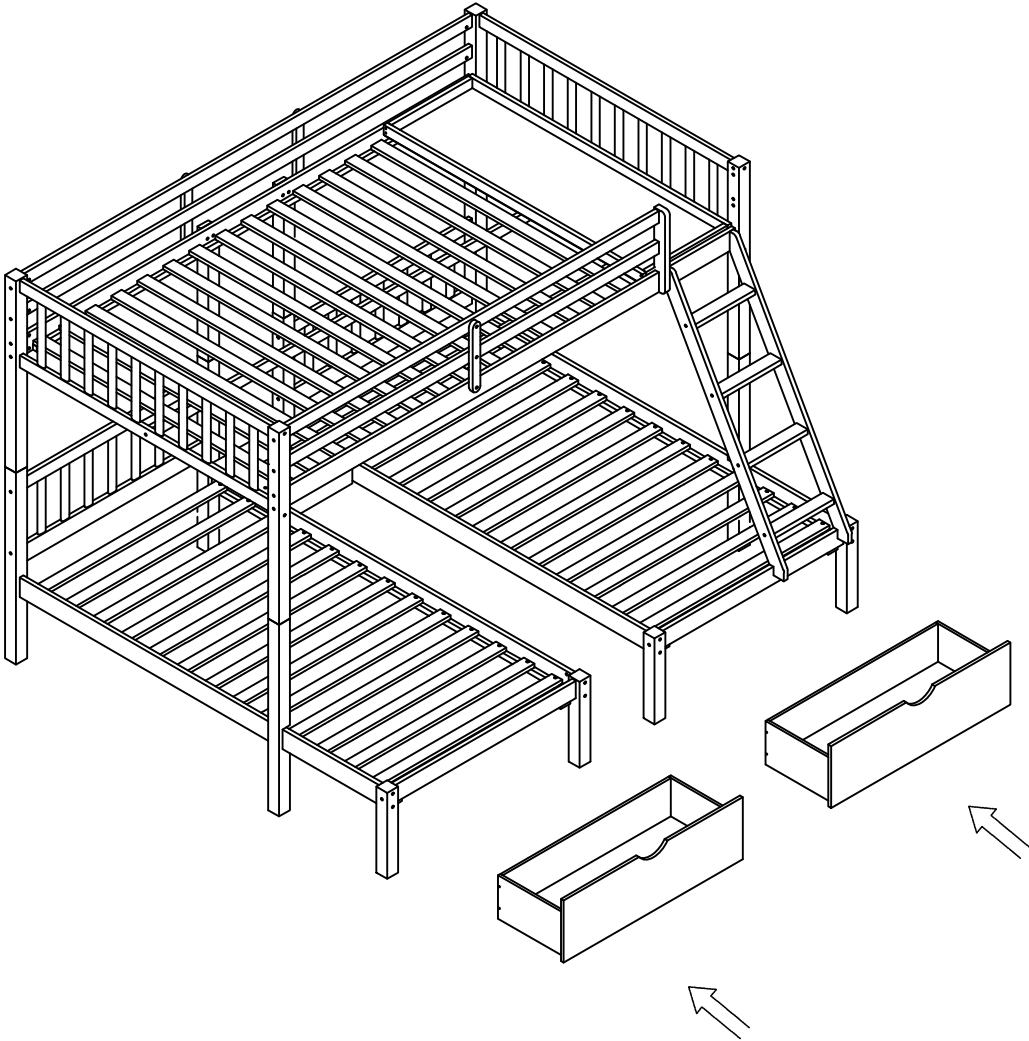
STEP 28:

I	K
	
8PCS	16PCS



X2

**STEP 29:**



COMPLETED

