



C-SHAPE SIDE TABLE

GENERAL INSTRUCTIONS

Thank you for purchasing this product.
Please read these instructions carefully before use.
Keep these instructions for future reference.

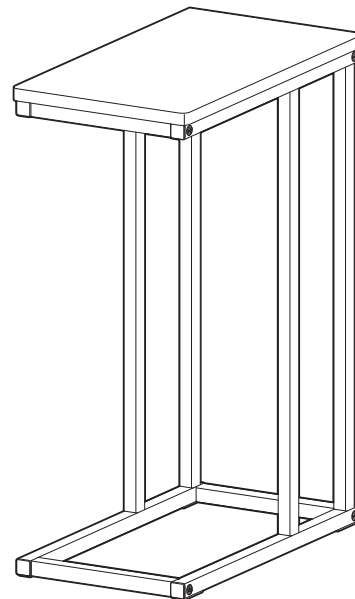
SDT-L

- REQUIRED TOOL: PHILLIPS HEAD SCREWDRIVER
- Use a screwdriver with more than 1" handle portion



WARNING

In order to avoid damage, do not use an impact driver.



MADE IN CHINA

SPECIFICATIONS

MATERIAL	FINISHED PARTICLEBOARD, STEEL PIPE	
OUTER DIMENSIONS (in/cm)	W 10.00" × D 17.72" × H 25.08"	W 25.4 × D 45.0 × H 63.7 cm
WEIGHT TOLERANCE (lbs/kg)	44.13 lbs	20 kg

*WEIGHT TOLERANCE IS MEASURED VALUE, NOT GUARANTEED VALUE.

*PRODUCT SPECIFICATIONS ARE SUBJECT TO CHANGE WITHOUT NOTICE.

PRECAUTIONS

FOR SAFE USAGE PLEASE OBSERVE THE FOLLOWING:

FOR INDOOR USE ONLY

- Keep product on a flat, stable surface.
- Do not use near stove or other sources of high heat.
- Please observe weight tolerance and do not overload product.
- Objects should be placed properly on the product to ensure even weight distribution.
- Please check that screws are properly tightened after installation. Screws may loosen over time; re-tighten as needed.

When moving products:

- Remove all items and lift evenly from both sides.
- Keep hands and fingers clear of table to avoid pinching or scratching when moving product.

For safety:

- Do not allow children to play with product.
- Do not lean on product or exert strong force such as pushing, climbing, or shaking.

To avoid damage to product:

- Keep away from direct sunlight or high humidity.
- Wipe away any water, oil, or soap immediately.
- Do not place hot or wet items on the product.
- Do not place stickers or tape on product.

CLEANING METHOD

TO MAINTAIN HIGH PERFORMANCE OF THE PRODUCT, PLEASE MAKE SURE TO OBSERVE THE FOLLOWING:

- Wipe with a damp soft cloth and mild kitchen soap; wash with damp cloth and dry thoroughly.
- Do not use cleaning products such as alcohol, gasoline, bleach or detergent powder.

IRIS USA, INC.

ADDRESS: 13423 W Cactus Rd. Surprise, AZ 85379
WEBSITE: www.irisusainc.com

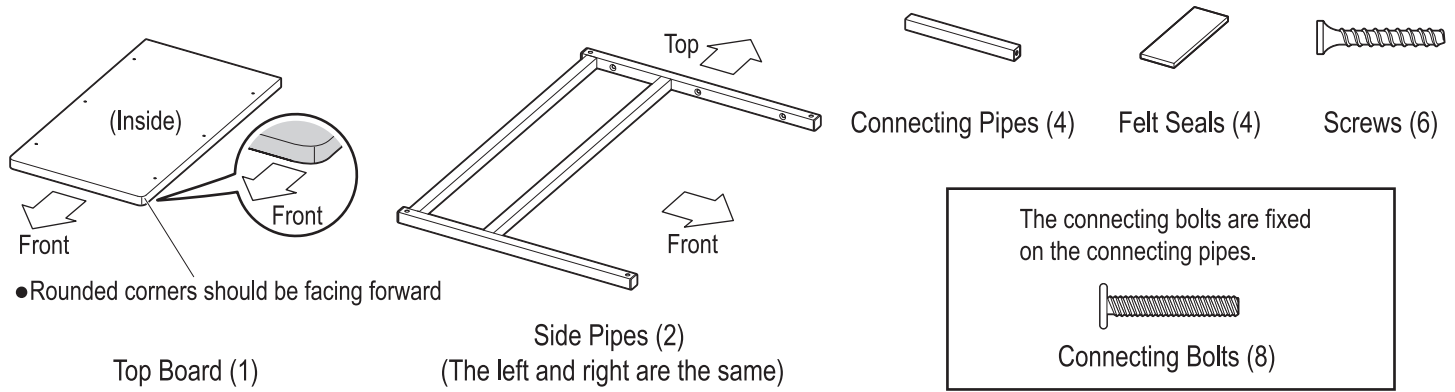
IRIS USA, Inc.

TEL: 800-320-4747
FAX: 262-612-1010

762147
120318-QHJ-QIU-01

PARTS

- PLEASE CONFIRM THE FOLLOWING PARTS ARE INCLUDED BEFORE ASSEMBLING.
- PACKAGING MATERIAL IS NOT MARKED. EXTRA HARDWARE MAY BE INCLUDED FOR CONVENIENCE.

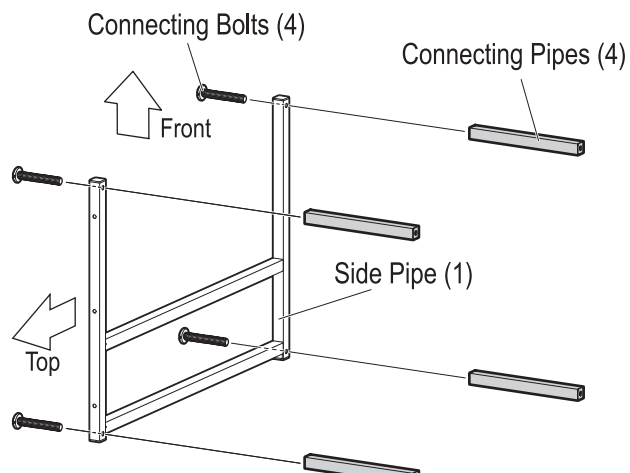


ASSEMBLY METHOD

- GLOVES SUGGESTED TO AVOID INJURY DURING ASSEMBLY.
- PLEASE ASSEMBLE ON A FLAT SURFACE, AND BE CAREFUL NOT TO SCRATCH THE FLOOR.

1

Please don't fully tighten the connecting bolts yet.



Connecting Bolts (4)

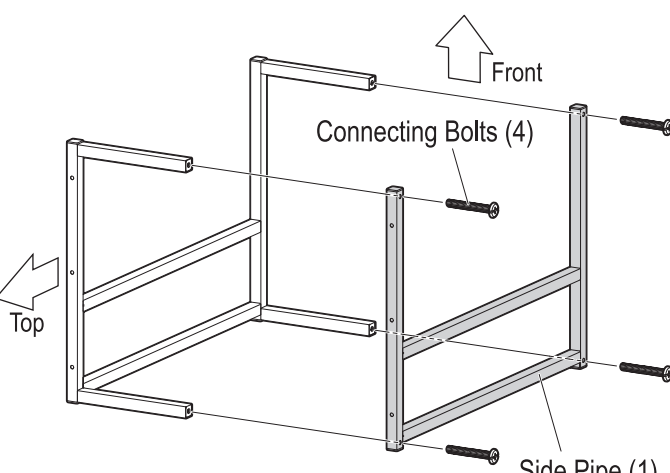
Connecting Pipes (4)

Side Pipe (1)

● Connecting bolts are attached to the connecting pipes. Please remove them from the pipes before assembly.

2

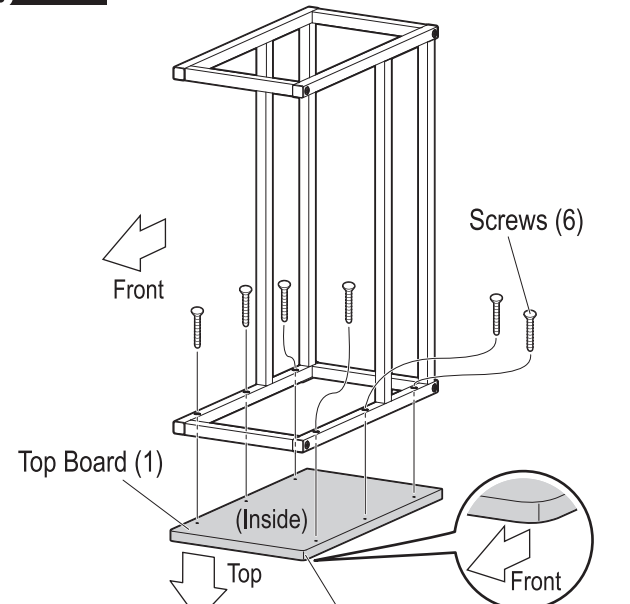
Please tighten and secure all eight connecting bolts properly.



Connecting Bolts (4)

Side Pipe (1)

3

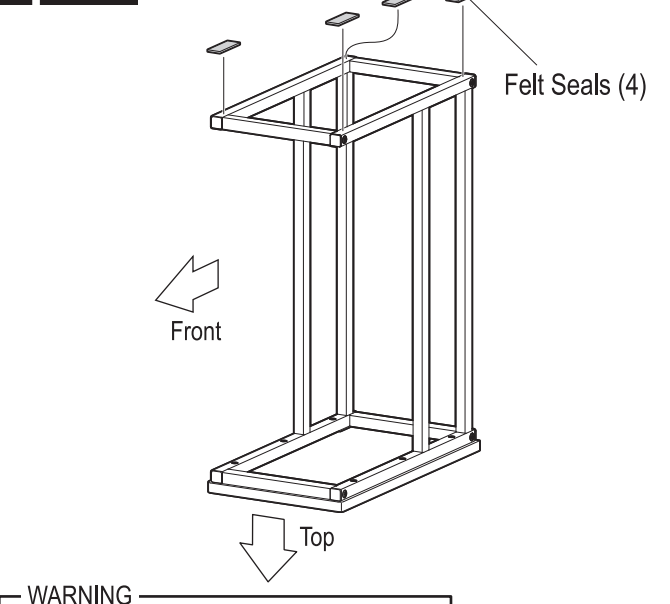


Screws (6)

Top Board (1)

● Rounded corners should be facing forward.

4



Felt Seals (4)

WARNING

- Tighten and secure screws properly.
- Make sure product is straight and sturdy.