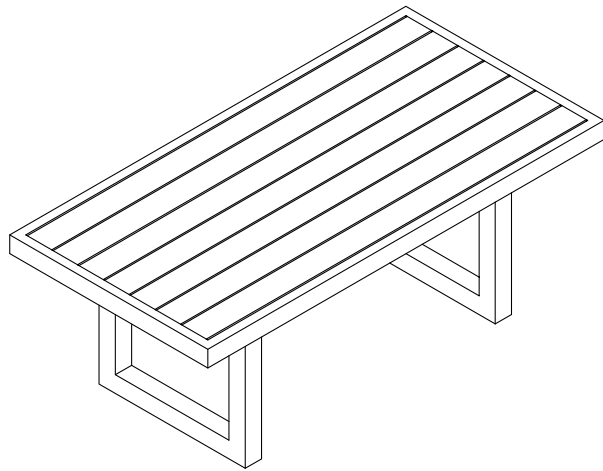

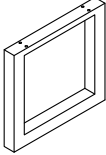


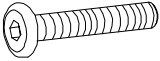


# Coffee Table



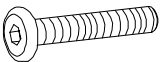

## PART LIST

<b>A</b> 	<b>B</b> 
Top Panel 1 PC	Leg 2 PCS

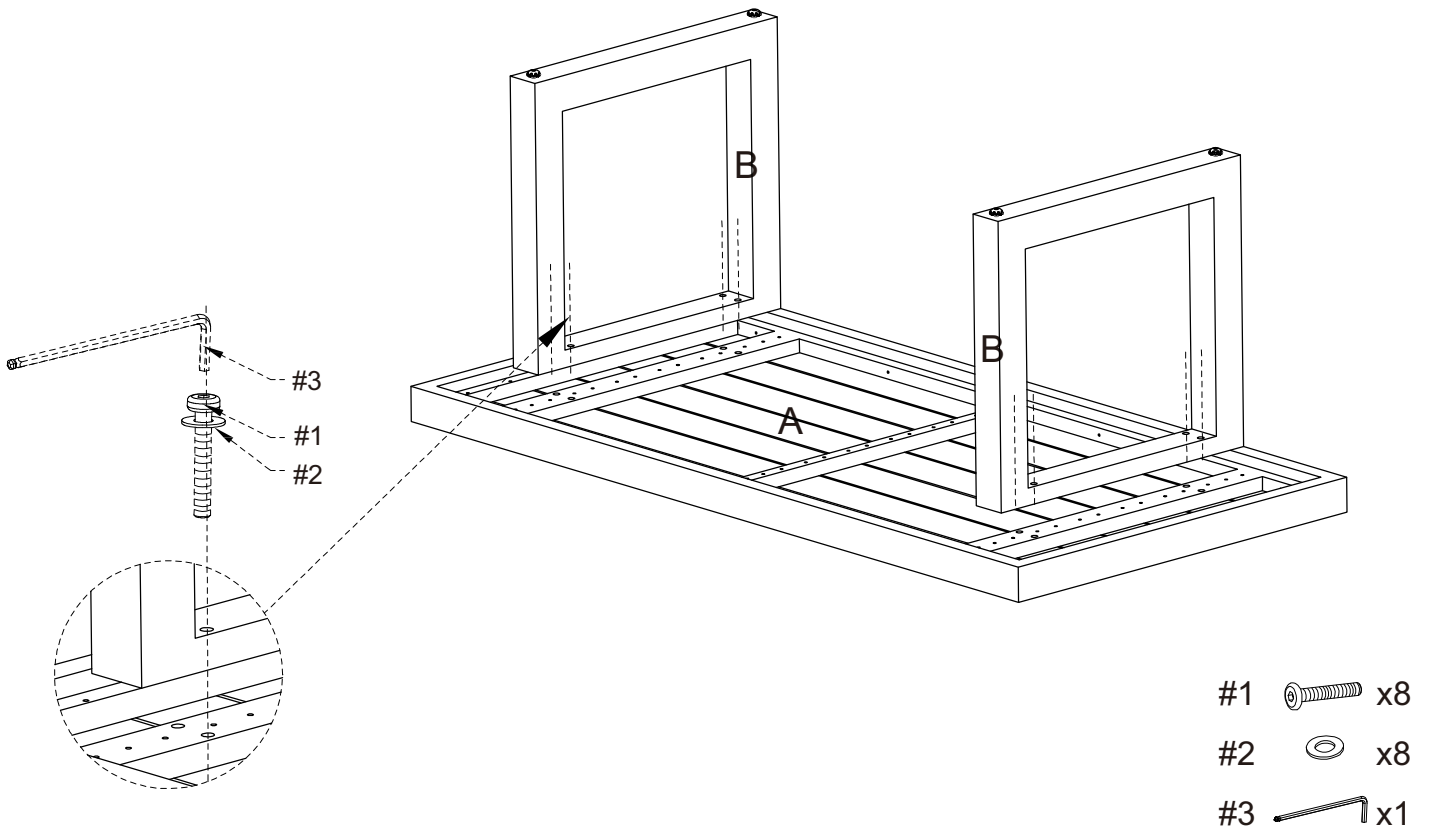
## HARDWARE LIST

<b>#1</b>  M6*35mm	<b>#2</b>  M6mm	<b>#3</b>  M6mm
Bolt 8 PCS	Washer 8 PCS	Allen Key 1 PC

## EXTRA HARDWARE LIST

<b>#1</b>  M6*40mm	<b>#2</b>  M6mm
Bolt 1 PC	Washer 1 PC

Step 1. Lay top panel (part A) down on a soft flat surface, such as carpet, as shown below. Attach legs (part B) to top panel (part A) using bolts (part #1), washers (part #2) and allen key (part #3).



Step 2. Carefully turn table upright.

