

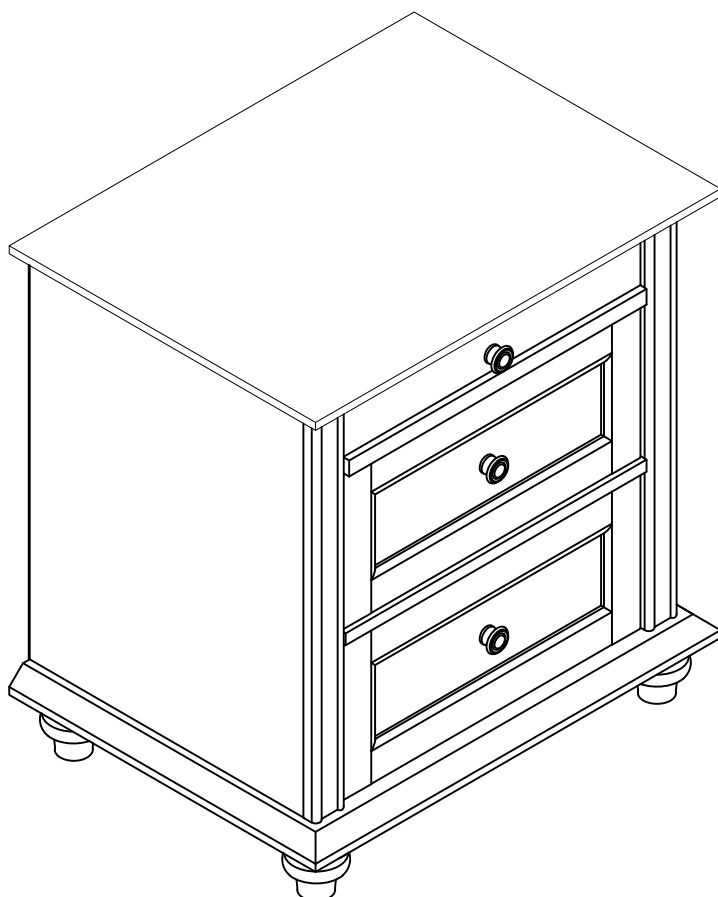
# ASSEMBLY INSTRUCTIONS

---

## TOOLS REQUIRED

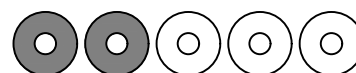


Screwdriver  
( Not included)



2 - People

## ASSEMBLY RATING



EASY —————> DIFFICULT

The Assembly Rating is a 5-Point system showing the level of effort needed to assemble a specific product.



## CHECK BEFORE STARTING

### **Are you missing anything?**

Double-check all parts, hardware and accessories listed are all accounted for.

### **Should we send any replacements?**

Are there any irregularities or flaws in the parts? We can send replacements!

### **Check out our Quick Tips!**

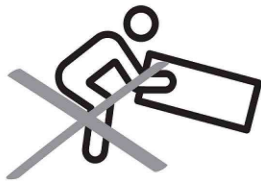
We recommend reviewing the pre-assembly handouts. Even experts need a refresher now and then!

### **Prep Time!**

Please review the assembly instructions and all diagrams prior to assembling.

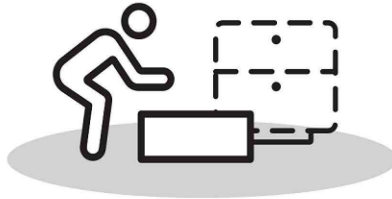
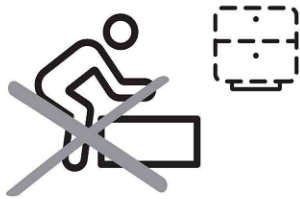
# PRE ASSEMBLY INTRODUCTION

We understand building ready-to-assemble furniture can be a challenging experience for some. To help avoid confusion, we have provided some helpful tips that may speed up the process.



## Teamwork

ALWAYS have at least two people to help with transporting and assembling the product to avoid potential injury and/or damage.



## Suitable Location

Assembling near the area of the intended location is highly recommended.



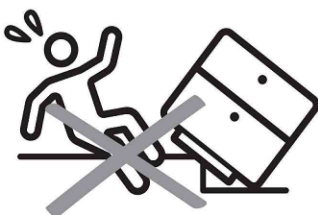
## Sufficient Space

Make sure you have enough space to move around during the assembly.



## Avoid Scratches

Use cardboard, blankets or a carpeted area while assembling furniture to prevent scratches and damages.



## Flat Surface

Make sure the furniture rests on a flat and level surface with each leg evenly touching the floor.

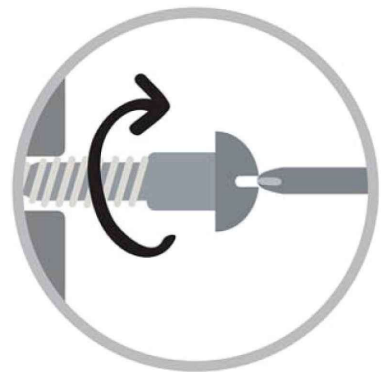
# ASSEMBLY AND CARE ADVICE



**FAILURE TO FOLLOW THE GUIDELINES BELOW MAY RESULT IN INJURY AND/OR PROPERTY DAMAGE.**



Position each part correctly and insert screws or bolts into their respective holes.



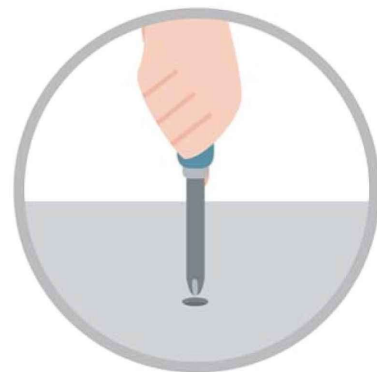
Turn clockwise to tighten and only tighten when step is completed or when instructed to do so.



Use the appropriate hand tools or power tools for assembly. Select steps, such as tightening screws and/or bolts, may require hand tools to avoid causing damage during assembly.

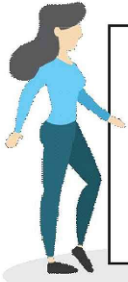


Save the instructions and store any supplied tools for later maintenance.

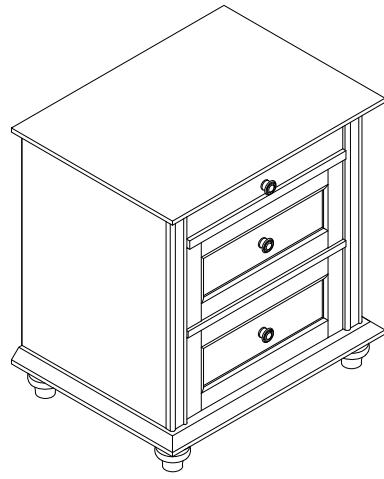


After two weeks, check and tighten any loose hardware and repeat again every six months thereafter.

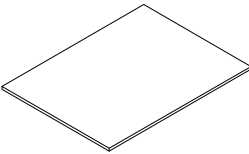
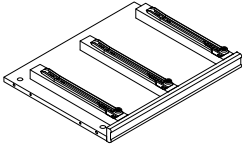
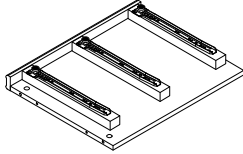
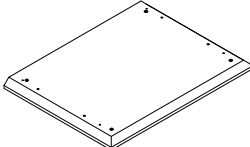
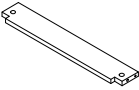
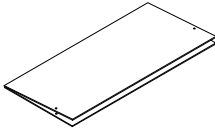
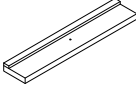

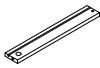

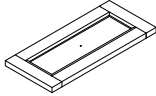
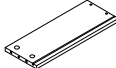
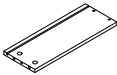
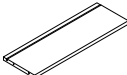

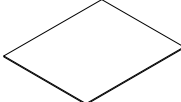
**IT IS THE USER'S RESPONSIBILITY TO MAINTAIN THE FURNITURE. THE HARDWARE MAY LOOSEN OVER TIME AND MAY CAUSE THE FURNITURE TO BE WOBBLY AND UNABLE TO SUPPORT ITS INTENDED WEIGHT CAPACITY. THIS MAY LEAD TO COLLAPSE AND MAY CAUSE SERIOUS INJURY.**



- Please keep instructions for future reference.
- Check the quantity and irregularity of parts and hardware before you start.

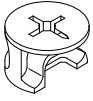


## PARTS

|    |   |    |   |    |  |    |   |
|----|---|----|---|----|--|----|---|
| 1  |    | 2  |    | 3  |    | 4  |    |
|    | TOP PANEL<br>1 pc.  |    | LEFT SIDE PANEL<br>1 pc.  |    | RIGHT SIDE PANEL<br>1 pc.  |    | BOTTOM PANEL<br>1 pc.   |
| 5  |  | 6  |  | 7  |  | 8  |  |
|    | SUPPORT PANEL<br>1 pc.  |    | BACK PANEL<br>1 pc.   |    | SMALL DRAWER<br>FACE PANEL<br>1 pc.  |    | SMALL DRAWER<br>LEFT PANEL<br>1 pc.   |
| 9  |  | 10 |  | 11 |  | 12 |  |
|    | SMALL DRAWER<br>RIGHT PANEL<br>1 pc.  |    | SMALL DRAWER<br>BACK PANEL<br>1 pc.   |    | LARGE DRAWER<br>FACE PANEL<br>2 pcs.   |    | LARGE DRAWER<br>LEFT PANEL<br>2 pcs.  |
| 13 |  | 14 |  | 15 |  | 16 |  |
|    | LARGE DRAWER<br>RIGHT PANEL<br>2 pcs.   |    | LARGE DRAWER<br>BACK PANEL<br>2 pcs.  |    | DRAWER<br>SUPPORT PANEL<br>2 pcs.  |    | DRAWER<br>BOTTOM PANEL<br>2 pcs.  |

# HARDWARE

A



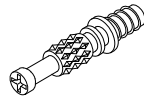
SMALL HIDDEN CAM  
12 pcs.

B



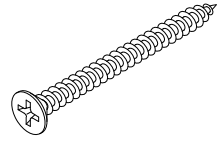
LARGE HIDDEN CAM  
6 pcs.

C



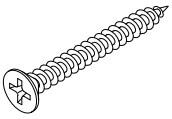
CAM SCREW  
18 pcs.

D



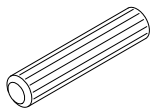
1-3/4" FLAT HEAD SCREW  
4 pcs.

E



1-1/2" FLAT HEAD SCREW  
12 pcs.

F



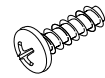
M6 x 30MM  
WOOD DOWEL  
18 pcs.

G



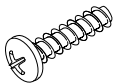
KNOB  
3 pcs.

H



5/8" MACHINE SCREW  
2 pcs.

I



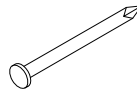
1" MACHINE SCREW  
1 pc.

J



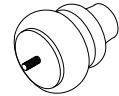
1/2" PAN HEAD SCREW  
4 pcs.

K



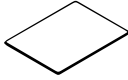



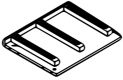

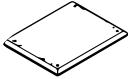











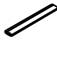

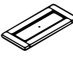






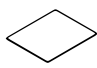
NAIL  
12 pcs.

L



WOOD LEG  
4 pcs.

A is packed in 1 case.

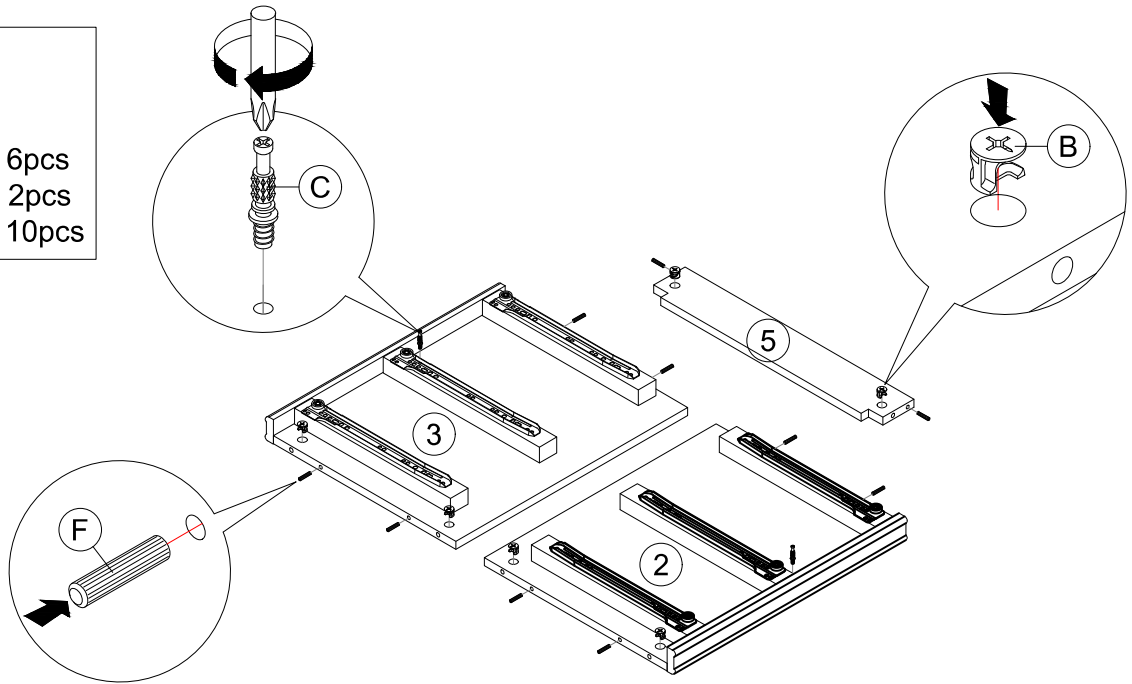
| Carton | Designation              |    | Part  |    | Hardware   |
|--------|--------------------------|----|---|----|--|
| A      | Top panel                | 1  |    | x1 |  A x 12 pcs   |
|        | Left side panel          | 2  |    | x1 |  B x 6 pcs    |
|        | Right side panel         | 3  |    | x1 |  C x 18 pcs   |
|        | Bottom panel             | 4  |    | x1 |  D x 4 pcs    |
|        | Support panel            | 5  |    | x1 |  E x 12 pcs   |
|        | Back panel               | 6  |    | x1 |  F x 18 pcs   |
|        | Small drawer face panel  | 7  |   | x1 |  G x 3 pcs    |
|        | Small drawer left panel  | 8  |  | x1 |  H x 2 pcs    |
|        | Small drawer right panel | 9  |  | x1 |  I x 1 pc     |
|        | Small drawer back panel  | 10 |  | x1 |  J x 4 pcs  |
|        | Large drawer face panel  | 11 |  | x2 |  K x 12 pcs |
|        | Large drawer left panel  | 12 |  | x2 |  L x 4 pcs  |
|        | Large drawer right panel | 13 |  | x2 |  |
|        | Large drawer back panel  | 14 |  | x2 |  |
|        | Drawer support panel     | 15 |  | x2 |  |
|        | Drawer bottom panel      | 16 |  | x2 |  |

# ASSEMBLY INSTRUCTIONS

# 1

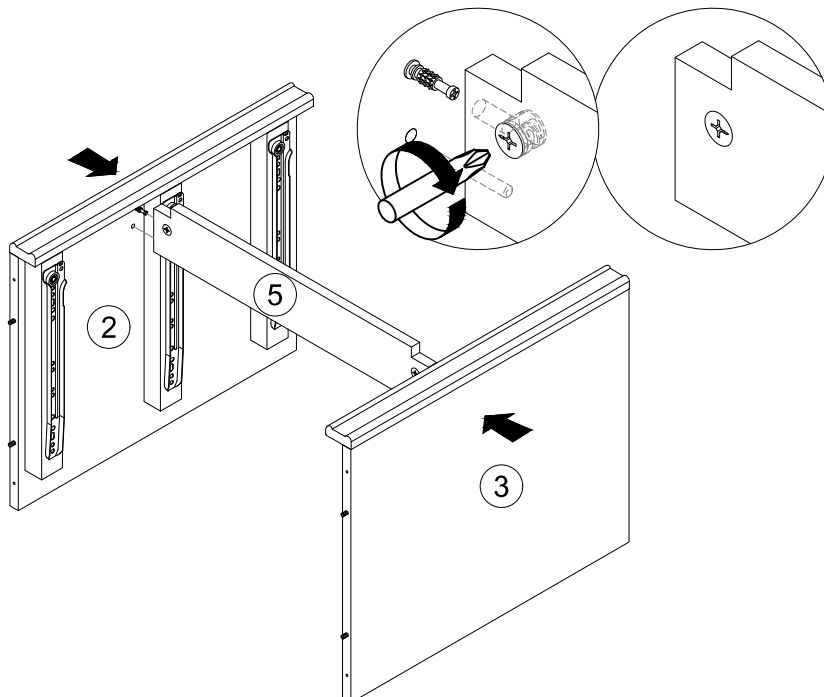
- 1) Attach large hidden cam (#B) to the holes at left & right side panel and support panel (#2,3,5).
- 2) Attach cam screw (#C) to the holes at left & right side panel (#2,3).
- 3) Attach wood dowel (#F) to the holes at left & right side panel and support panel (#2,3,5).

Part #2 x 1pc  
Part #3 x 1pc  
Part #5 x 1pc  
Hardware #B x 6pcs  
Hardware #C x 2pcs  
Hardware #F x 10pcs



# 2

Part #2 x 1pc  
Part #3 x 1pc  
Part #5 x 1pc



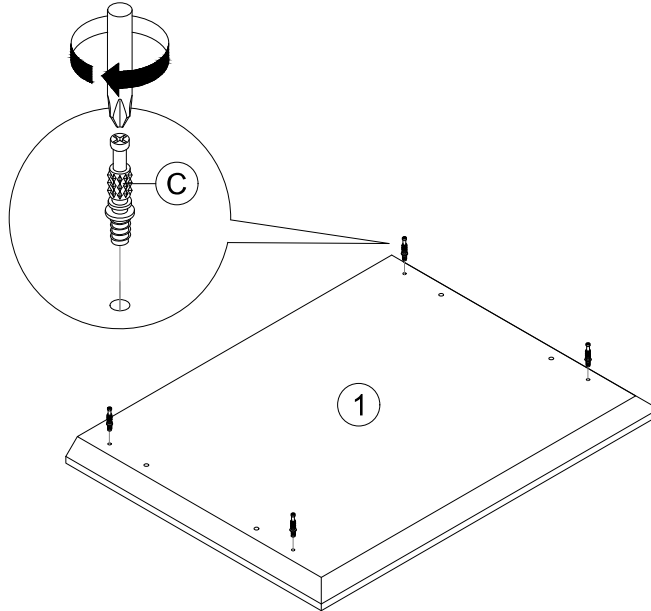
Attach side panels (#2,3) to the support panel (#5) and tighten the hidden cam.

# ASSEMBLY INSTRUCTIONS

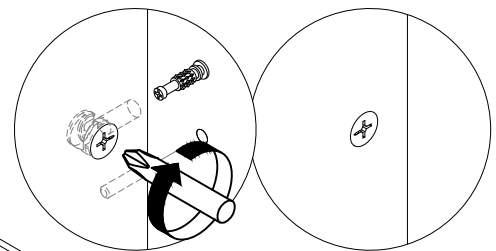
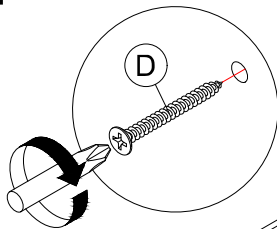
## 3

Attach cam screw (#C) onto top panels (#1).

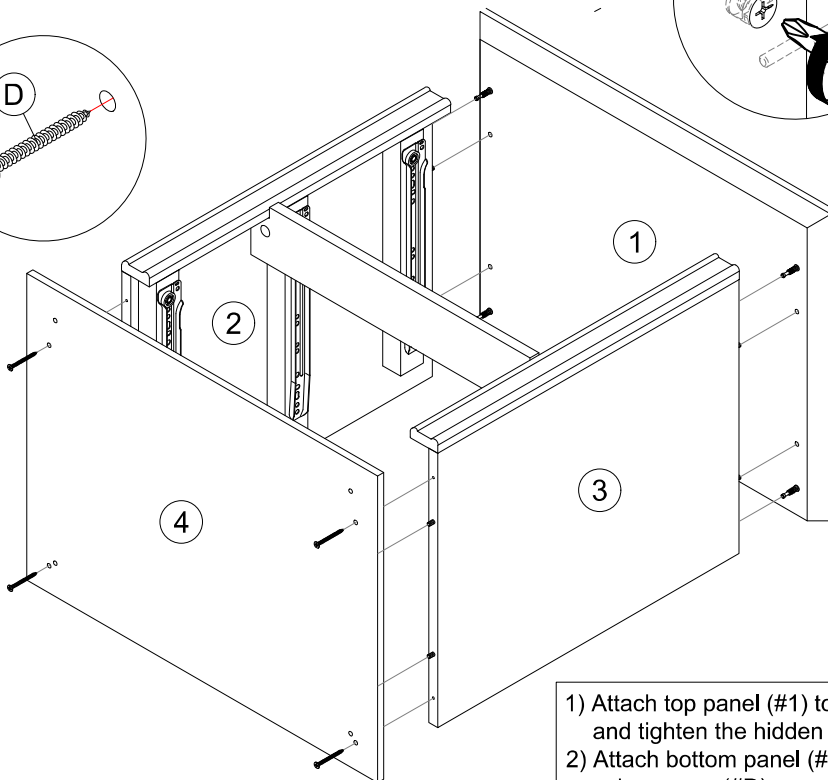
Part #1 x 1pc  
Hardware #C x 4pcs



## 4



Part #1 x 1pc  
Part #2 x 1pc  
Part #3 x 1pc  
Part #4 x 1pc  
Hardware #D x 4pcs



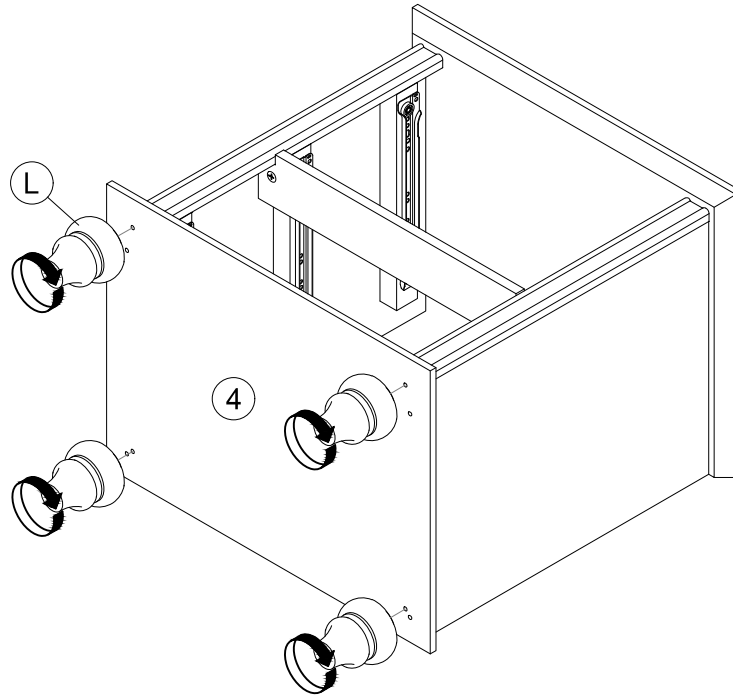
- 1) Attach top panel (#1) to left & right side panel (#2,3) and tighten the hidden cam.
- 2) Attach bottom panel (#4) to left & right side panel (#2,3) using screw (#D).

# ASSEMBLY INSTRUCTIONS

## 5

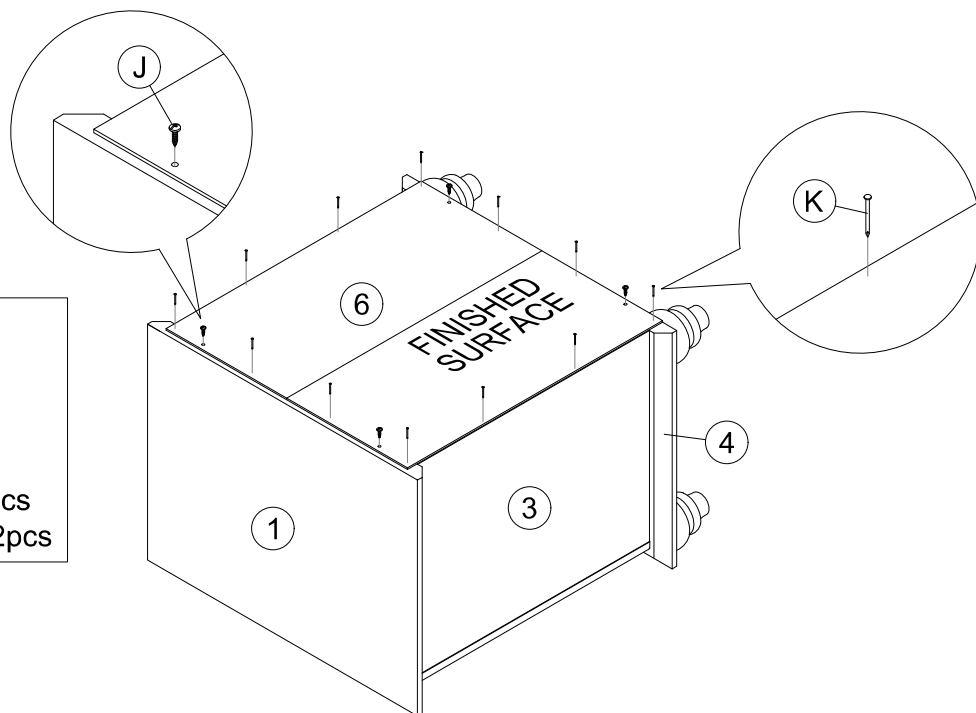
Attach wood legs (#L) to the holes at the bottom panel (#4).

Part #4 x 1pc  
Hardware #L x 4pcs



## 6

Part #1 x 1pc  
Part #2 x 1pc  
Part #3 x 1pc  
Part #4 x 1pc  
Part #6 x 1pc  
Hardware #J x 4pcs  
Hardware #K x 12pcs



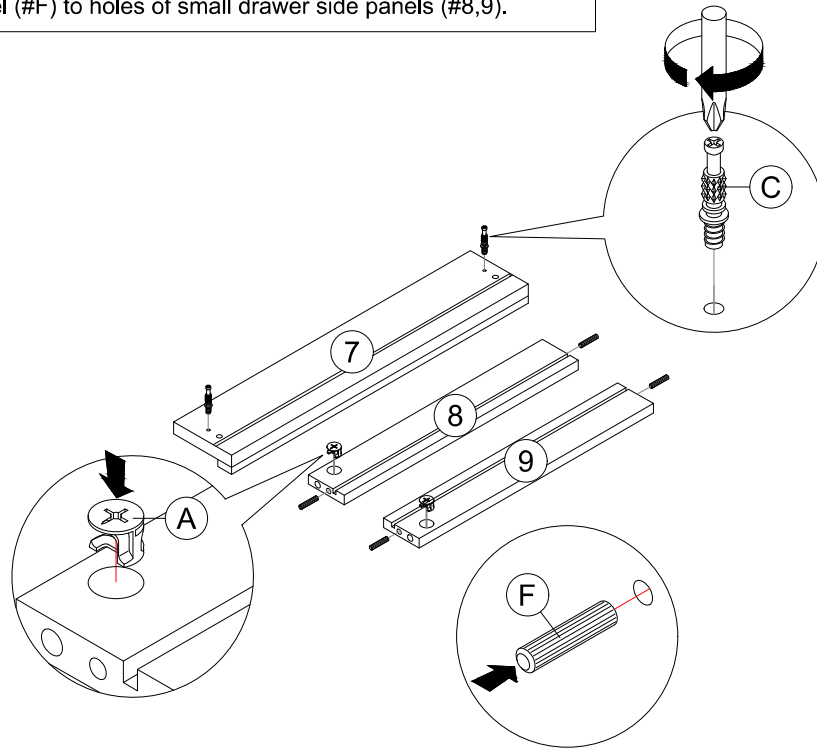
- 1) Attach back panel (#6) to top & bottom panel (#1,4) and left & right side panel (#2,3) using screw (#J).
- 2) Attach back panel (#6) to top & bottom panel (#1,4) and left & right side panel (#2,3) using nail (#K).

# ASSEMBLY INSTRUCTIONS

## 7

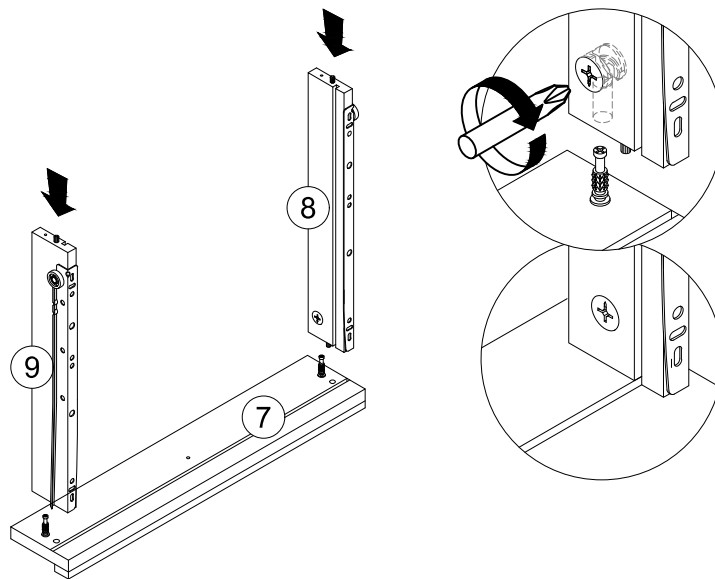
- 1) Attach hidden cam (#B) to the holes of the small drawer side panels (#8,9).
- 2) Attach cam screw (#C) to the holes of the small drawer face panel (#7).
- 3) Attach wood dowel (#F) to holes of small drawer side panels (#8,9).

Part #7 x 1pc  
Part #8 x 1pc  
Part #9 x 1pc  
Hardware #A x 2pcs  
Hardware #C x 2pcs  
Hardware #F x 4pcs



## 8

Part #7 x 1pc  
Part #8 x 1pc  
Part #9 x 1pc



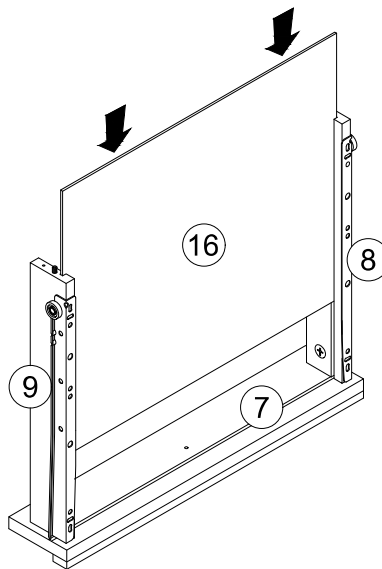
Attach small drawer side panel (#8,9) to cam screw of small drawer face panel (#7) and tighten the hidden cam.

# ASSEMBLY INSTRUCTIONS

## 9

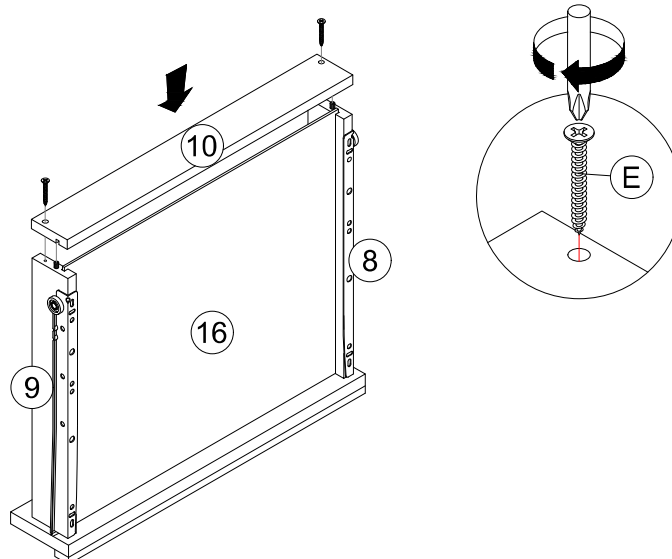
Attach drawer bottom panel (#16) to the groove of the small drawer face panel and small drawer side panels (#7,8,9).

Part #7 x 1pc  
Part #8 x 1pc  
Part #9 x 1pc  
Part #16 x 1pc



## 10

Part #8 x 1pc  
Part #9 x 1pc  
Part #10 x 1pc  
Part #16 x 1pc  
Hardware #E x 2pcs



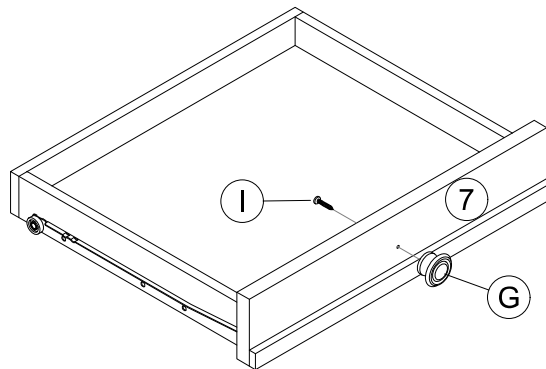
Attach small drawer back panel (#10) to left & right side panels (#8,9) using screws (#E).

# ASSEMBLY INSTRUCTIONS

## 11

Attach knob (#G) to small drawer face panel (#7) using screw (#I).

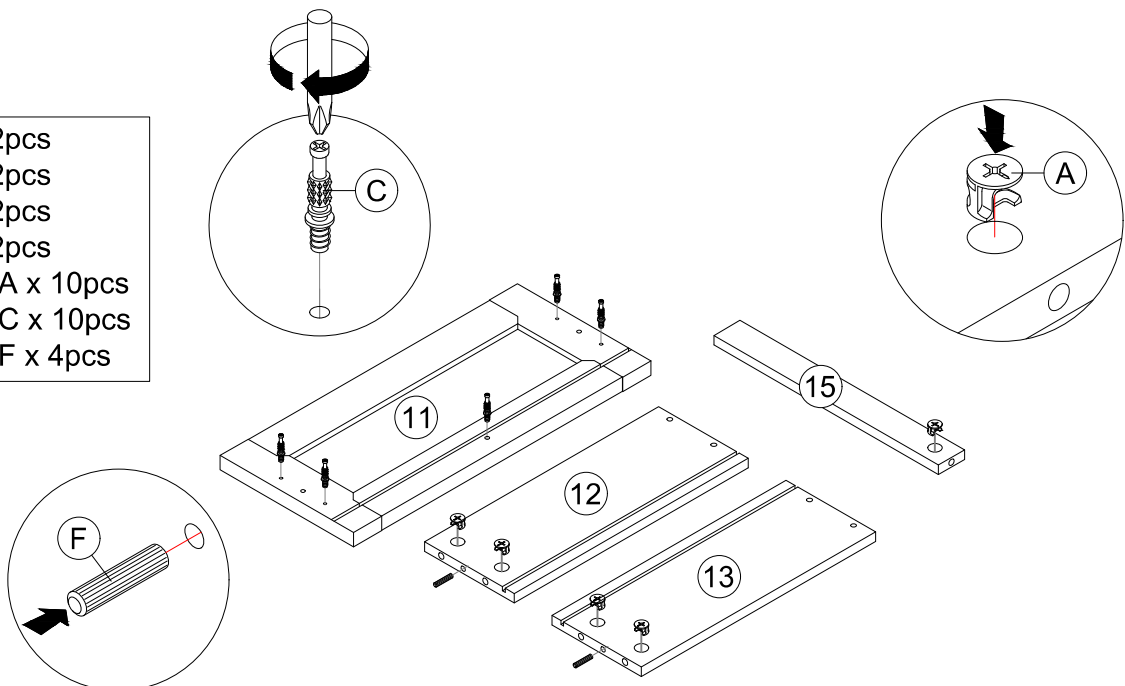
Part #7 x 1pc  
Hardware #G x 1pc  
Hardware #I x 1pc



## 12

1) Attach hidden cam (#A) to holes of large drawer side panels and drawer support panel (#12,13,15).  
2) Attach cam screw (#C) to holes of large drawer face panel (#11).  
3) Attach wood dowel (#F) to holes of large drawer side panels (#12,13).

Part #11 x 2pcs  
Part #12 x 2pcs  
Part #13 x 2pcs  
Part #15 x 2pcs  
Hardware #A x 10pcs  
Hardware #C x 10pcs  
Hardware #F x 4pcs

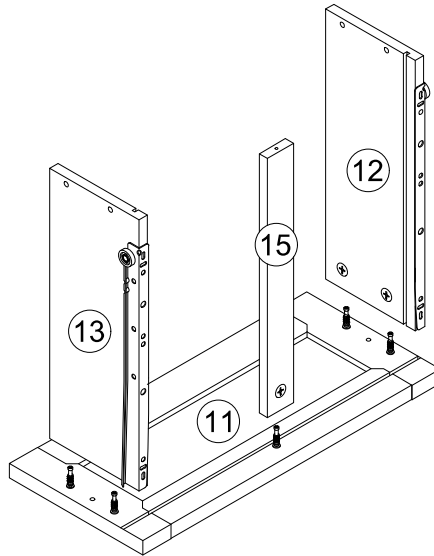


# ASSEMBLY INSTRUCTIONS

## 13

Attach large drawer side panel (#12,13) and drawer support panel (#15) to cam screw of large drawer face panel (#11) and tighten the hidden cam.

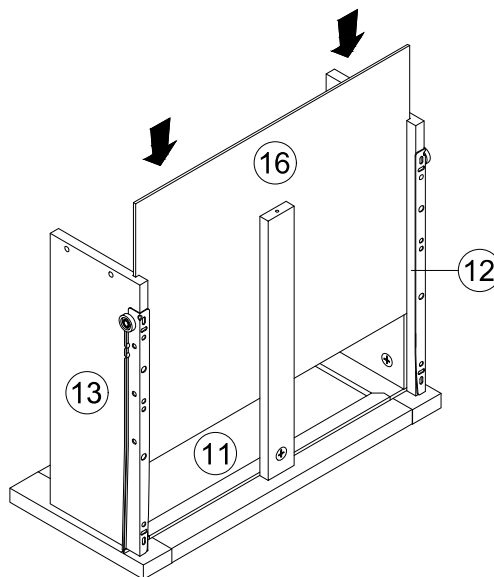
Part #11 x 2pcs  
Part #12 x 2pcs  
Part #13 x 2pcs  
Part #15 x 2pcs



## 14

Attach drawer bottom panel (#16) to the groove of the large drawer face panel and large drawer side panels (#11,12,13).

Part #11 x 2pcs  
Part #12 x 2pcs  
Part #13 x 2pcs  
Part #16 x 2pcs

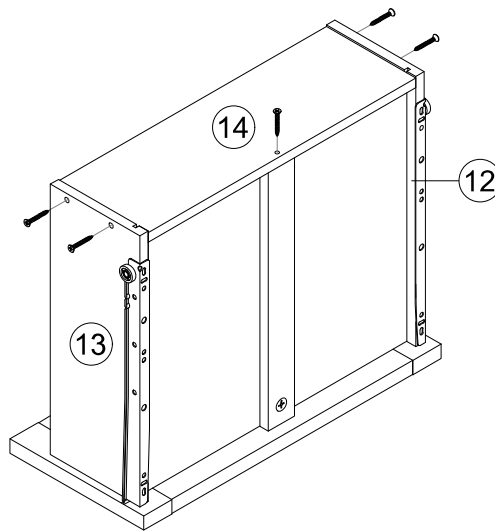
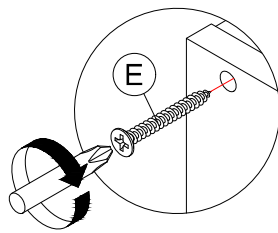


# ASSEMBLY INSTRUCTIONS

## 15

Attach large drawer back panel (#14) to large left & right side panels (#12,13) using screws (#E).

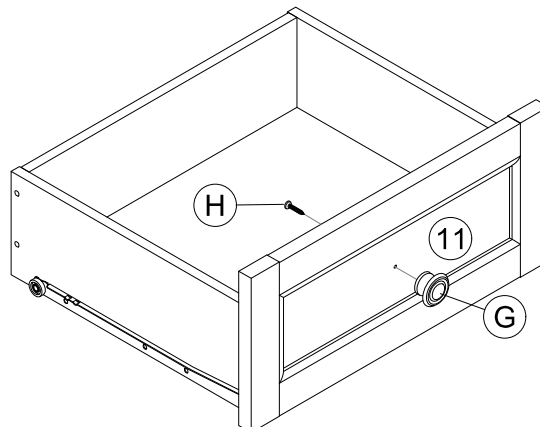
Part #12 x 2pcs  
Part #13 x 2pcs  
Part #14 x 2pcs  
Hardware #E x 10pcs



## 16

Attach knob (#G) to large drawer face panel (#11) using screw (#H).

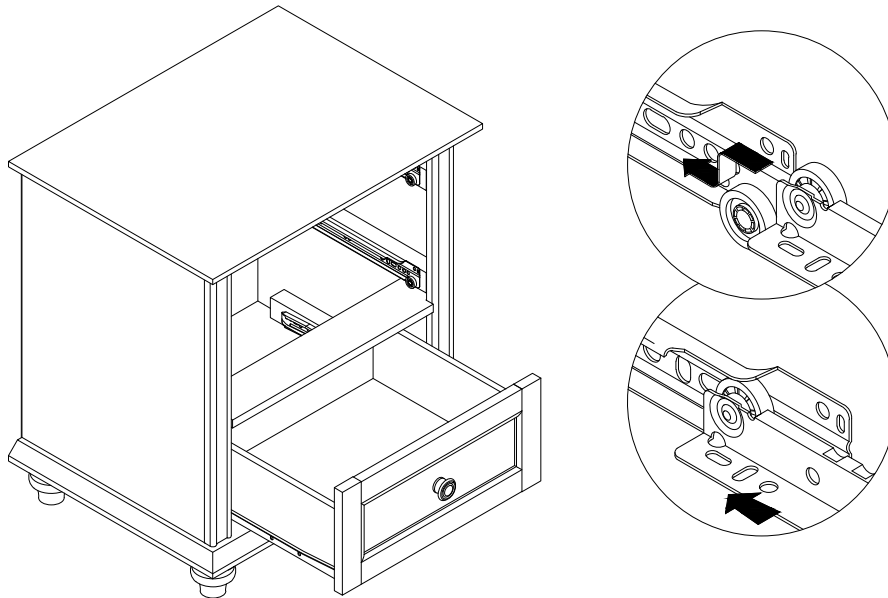
Part #11 x 2pcs  
Hardware #G x 2pcs  
Hardware #H x 2pcs



# ASSEMBLY INSTRUCTIONS

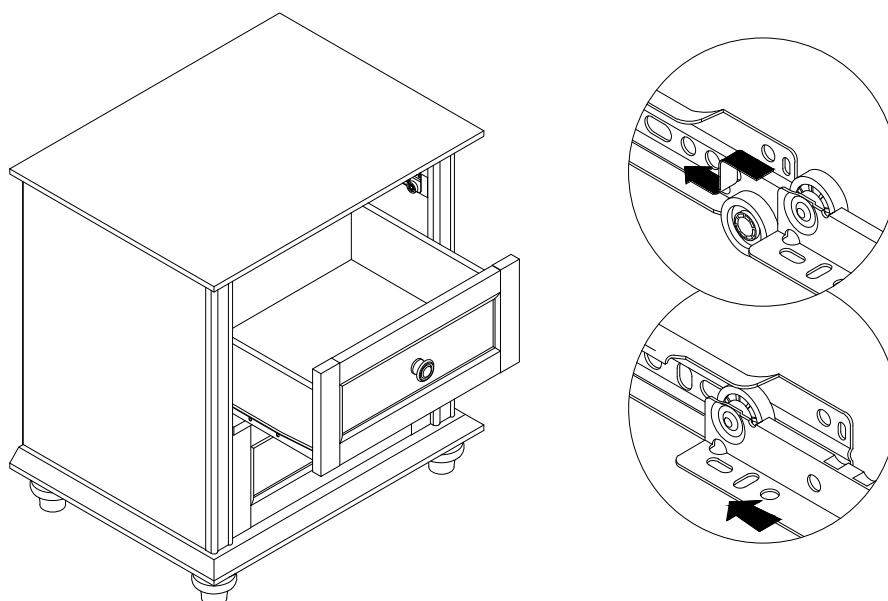
## 17

Place the roller on the SLIDE behind the roller on the RAIL.



## 18

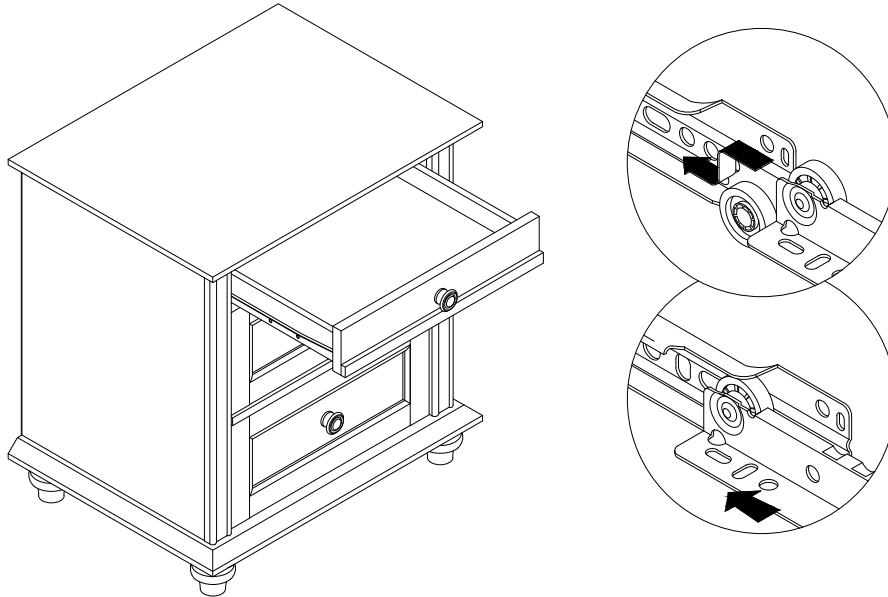
Place the roller on the SLIDE behind the roller on the RAIL.



# ASSEMBLY INSTRUCTIONS

# 19

Place the roller on the SLIDE behind the roller on the RAIL.



## ASSEMBLY COMPLETED



Please ensure the furniture rests on an even and flat surface. If the product wobbles or feels loose, double-check all bolts and/or screws are properly tightened and secured.



### Keep this handy!

Please retain this instruction manual and any order-related information for future reference.



### Lift, don't drag!

To avoid damage to product please always LIFT the product when transporting or adjusting the placement.

This product is intended for RESIDENTIAL USE ONLY and not for commercial use.