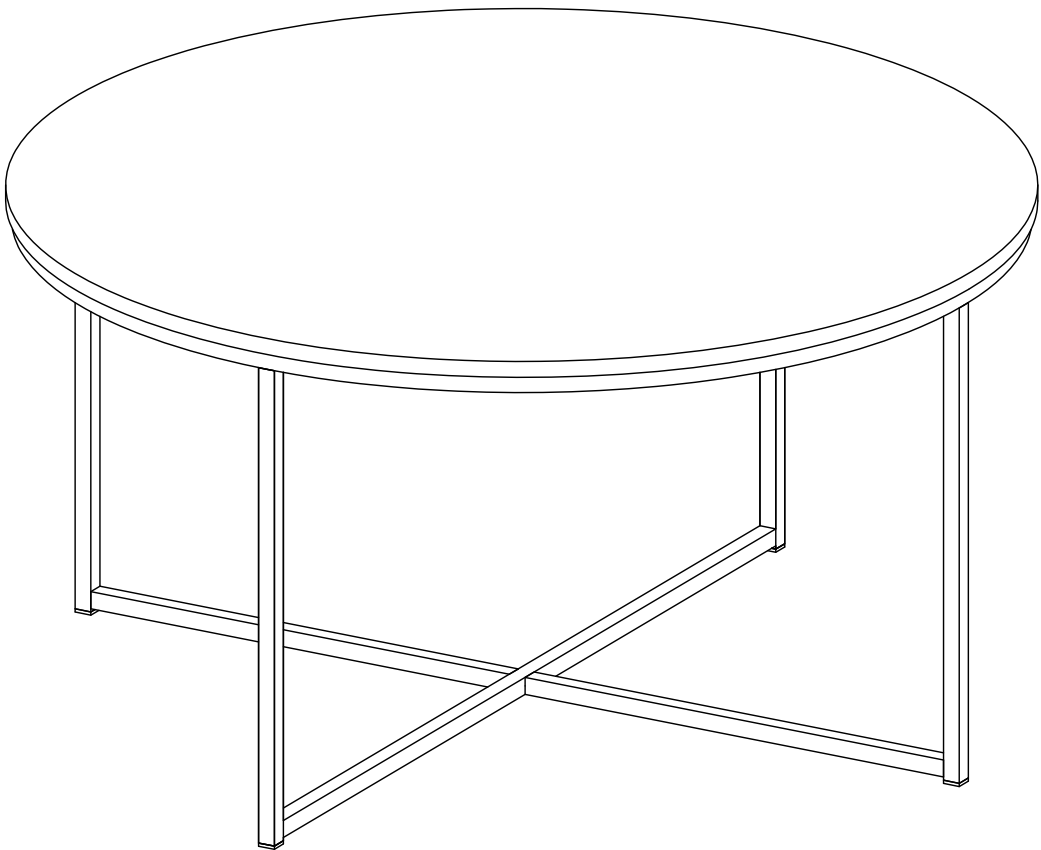
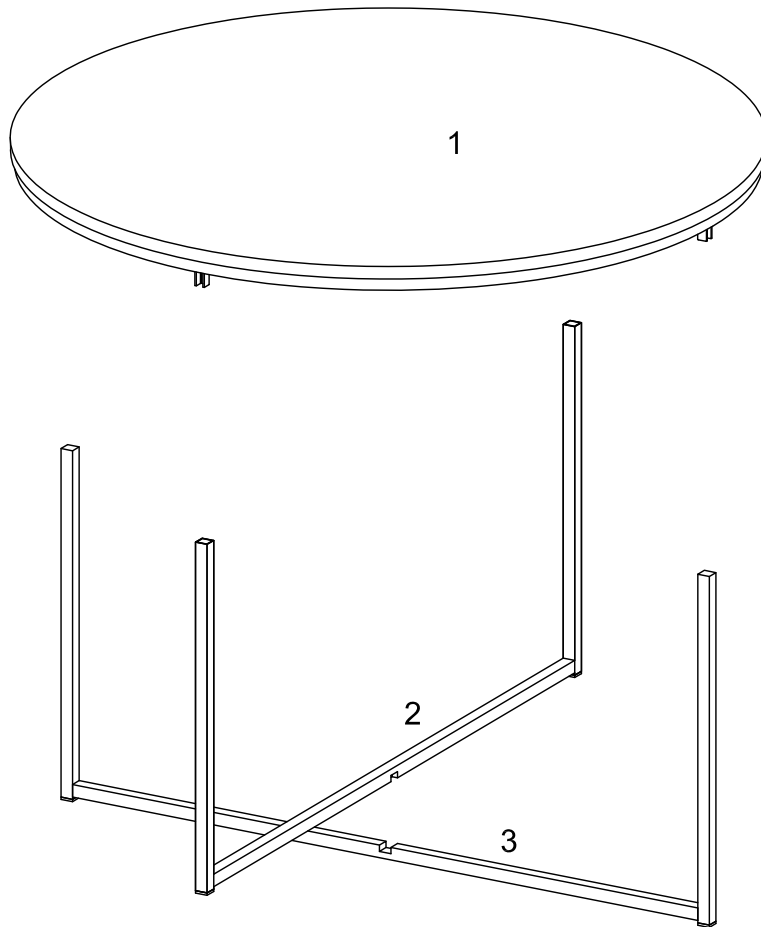




Assembly Instructions



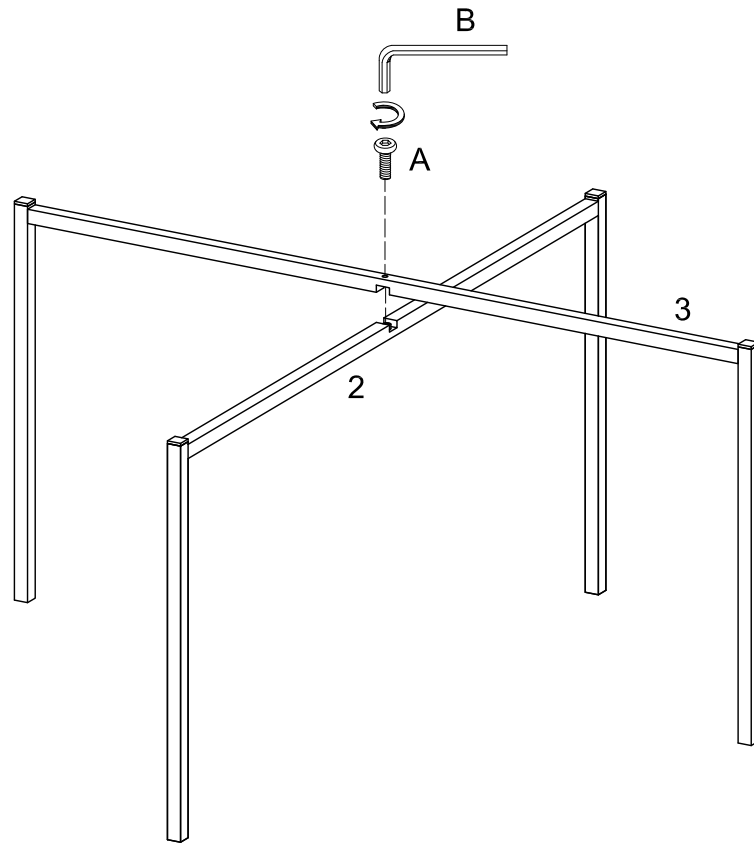
Parts List



Hardware List

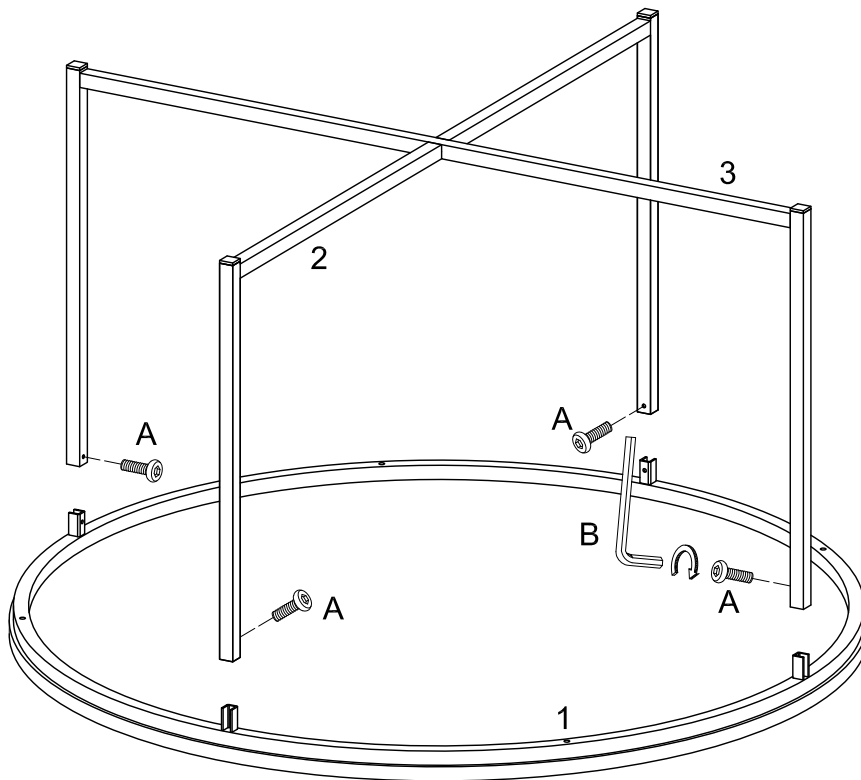
A		M6x10mm	Bolt	5 pcs
B		M4mm	Wrench	1 pc

Step 1



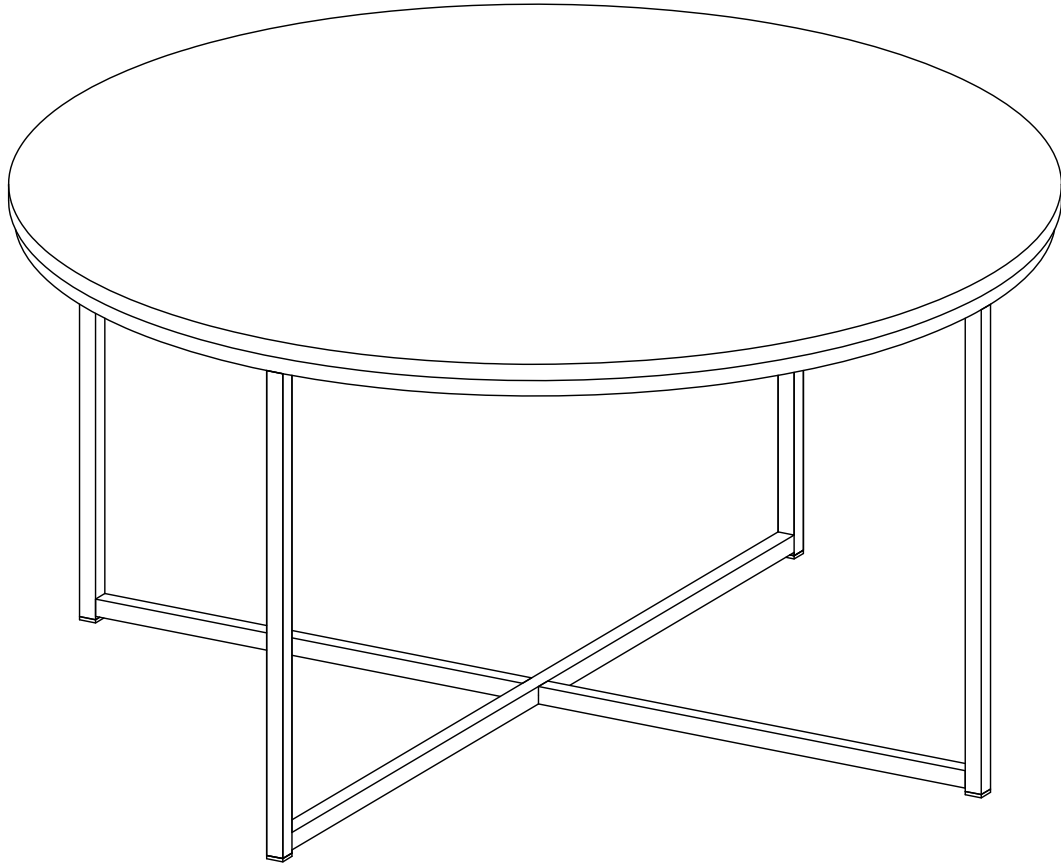
Use wrench (B), to secure legs (2,3) with bolt (A).

Step 2



Use wrench (B), to secure legs (2,3) to table top (1) with bolts (A).

Step 3



Final Assembly