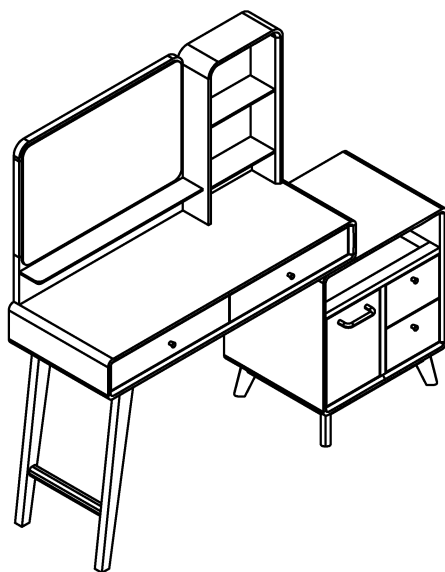
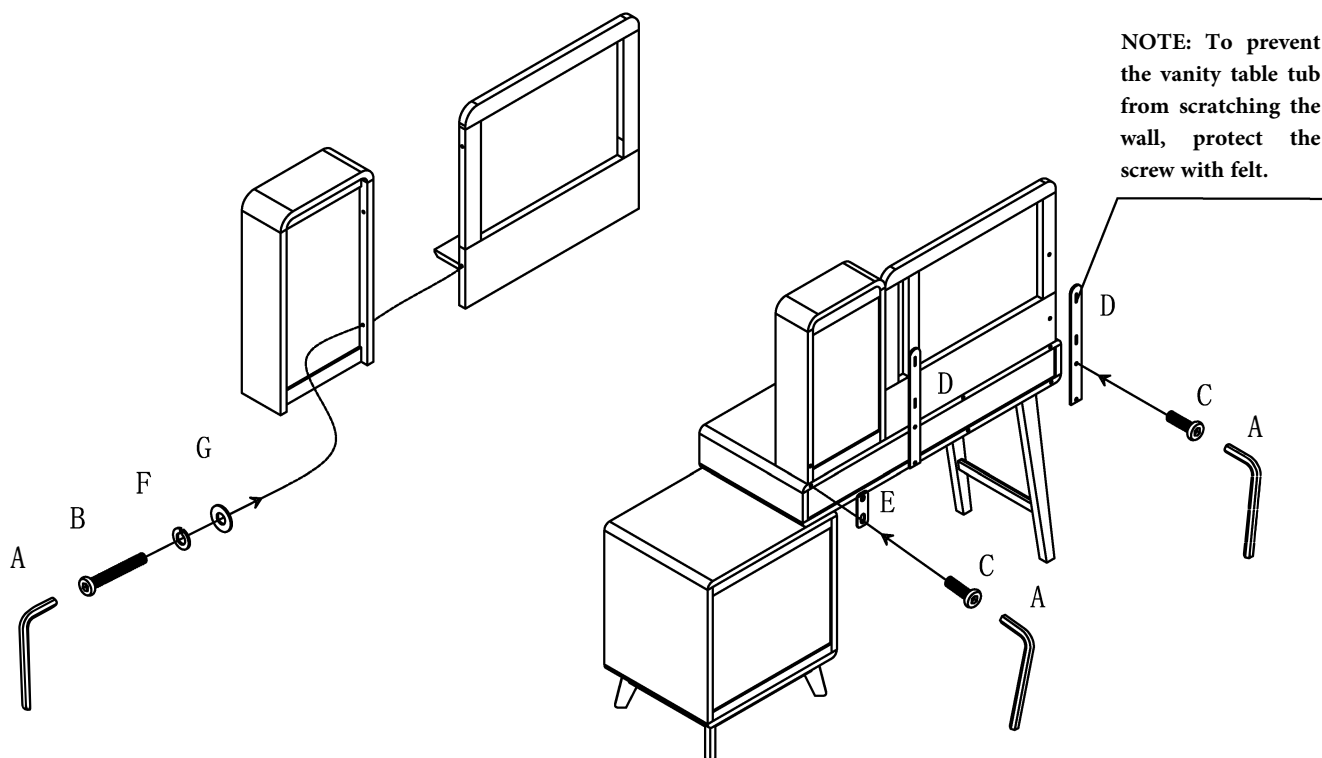









# Assembly instructions

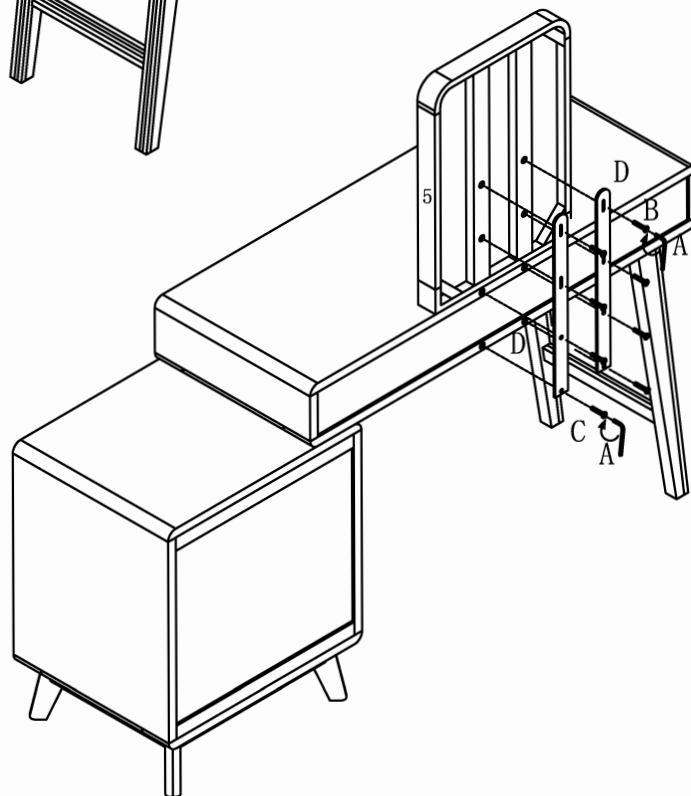
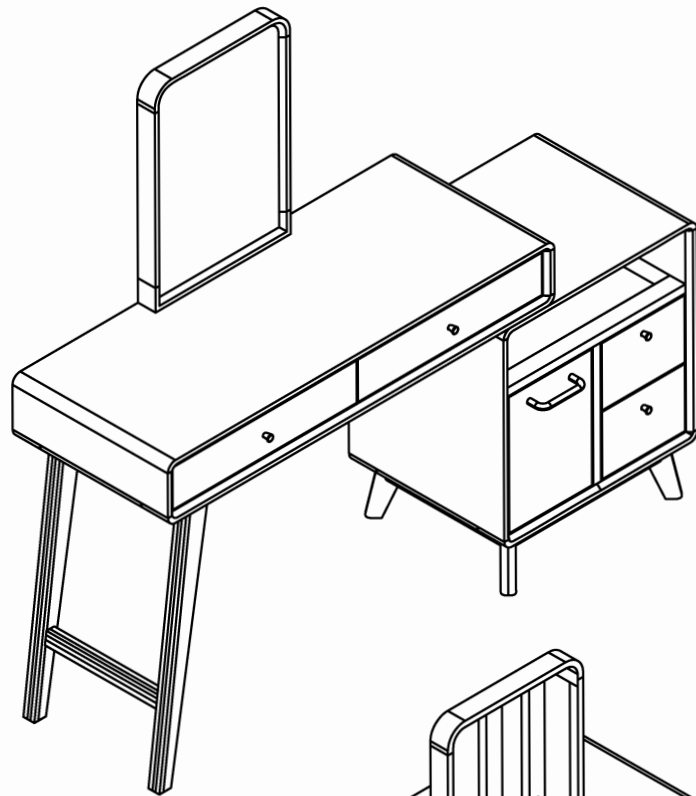


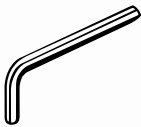


Lock the locker to the mirror according to the corresponding holes, then assemble the mirror locker to the vanity table.



|   |   |   |   |   |   |   |
|---|---|---|---|---|---|---|
|  |  |  |  |  |  |  |
| A. Allen wrench = 1   | B. Hexagonal screws<br>M6*40=2  | C. Hexagonal screws<br>M6*20=10   | D. Mirror steel strip<br>390*40*4=2   | E. Connecting iron piece<br>80*20*3=1   | F. Spring pads $\phi 6*12=2$  | G. Flat pads $\phi 6*14=2$  |

# Assembly instructions

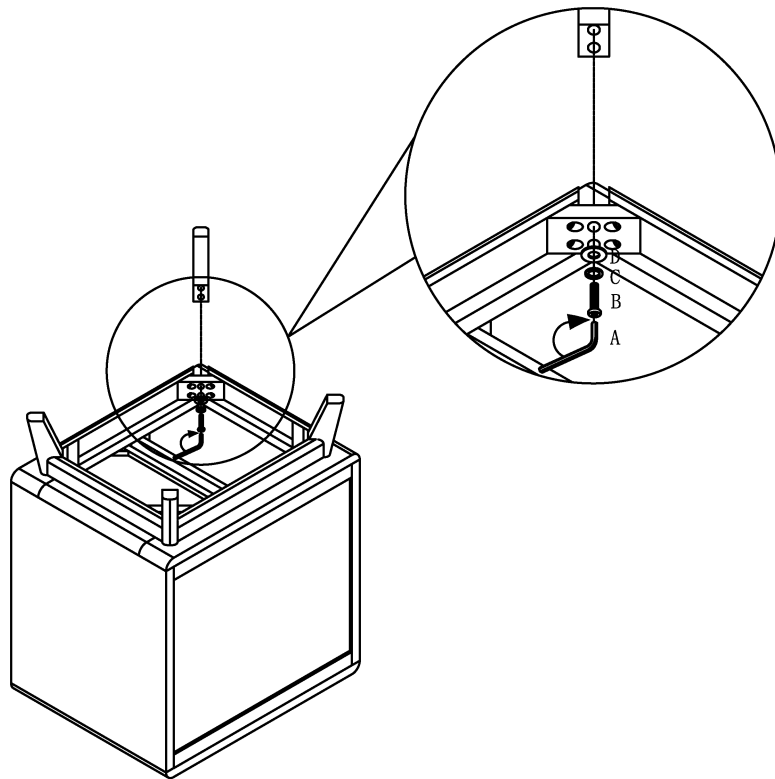


|   |   |   |
|---|---|---|
|  |  |  |
| A. Allen wrench = 1   | C. Hexagonal screws<br>M6*20=8  | D. Mirror steel strip<br>390*40*4=2   |

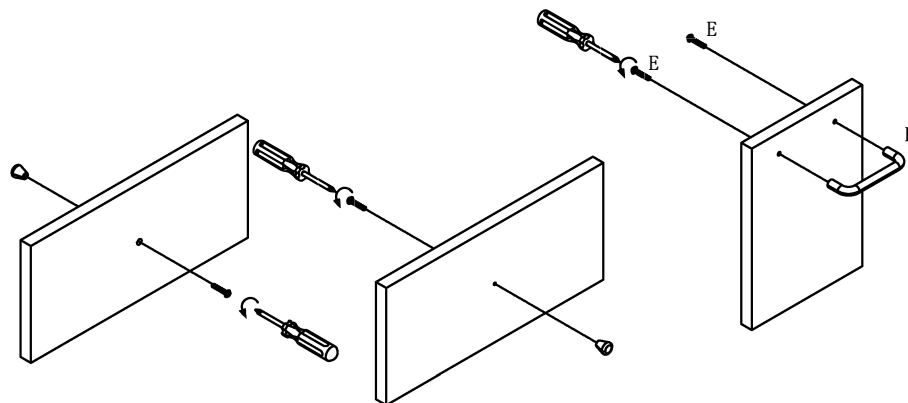
# Assembly instructions

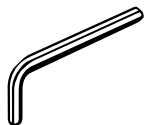
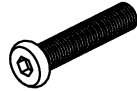



The assembly procedure is as follows:

Step 1: Put the cabinet upside down or sideways, assemble the foot post, pay attention to the order of hardware do not put the wrong.



Step 2: Pull handles are installed, and then the cabinet is placed in its designated position.

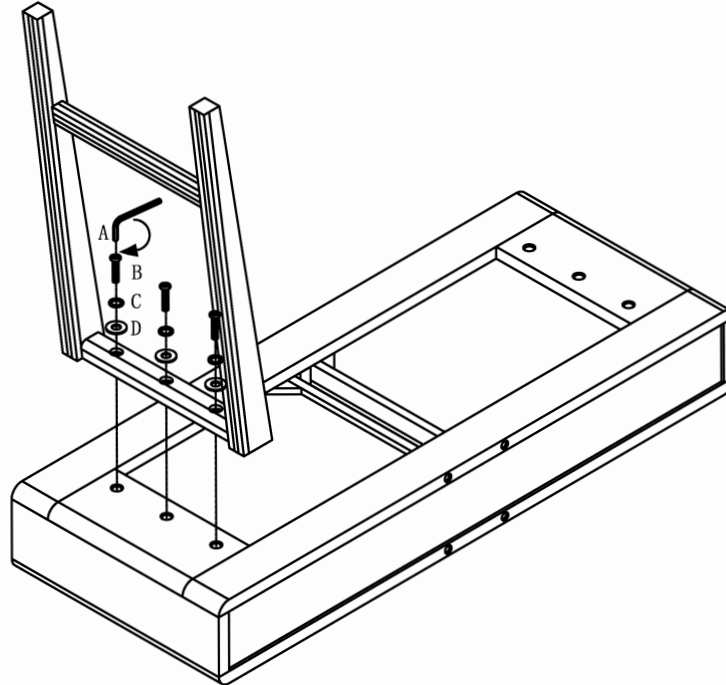


|   |   |   |   |   |
|---|---|---|---|---|
|  |  |  |  |  |
| A.Hexagonal wrench 4#=1   | B. Hexagonal screws M6*40=8   | C. Spring pads $\phi 6=8$   | D. Flat pads $\phi 6=8$   | E. Puller with pulling wire = 1   |

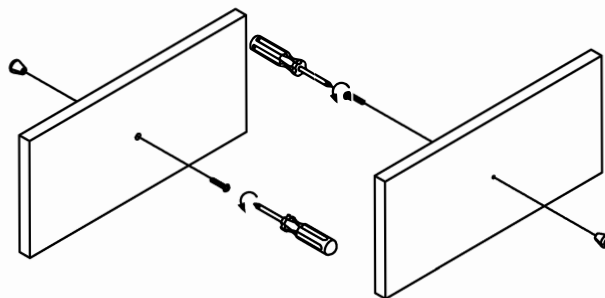
# Assembly instructions

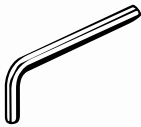



The assembly procedure is as follows:

Step 1: Place the cabinet upside down or sideways, assemble the foot post, pay attention to the order of hardware do not put the wrong.



Step 2: Pull handles are positively fitted, then put the cabinet in a thousand designated positions



|   |   |   |   |
|---|---|---|---|
|  |  |  |  |
| A. Allen wrench = 1   | B. Hexagonal screws<br>M8*40=3  | C. Spring pads $\phi 8=3$   | D. flat pads $\phi 8=3$   |