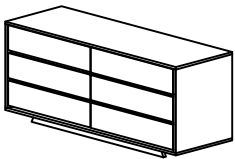
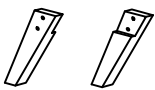
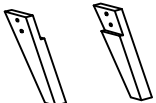






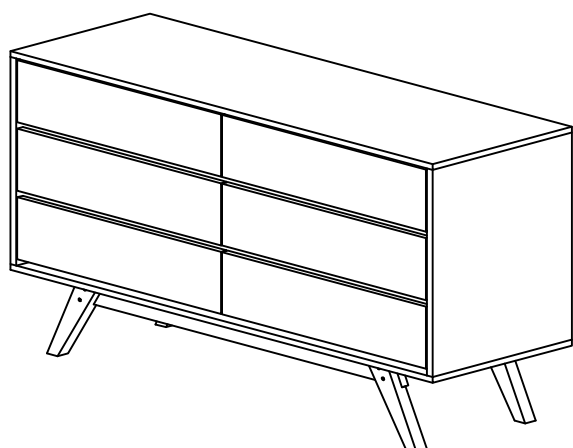
# ASSEMBLY INSTRUCTIONS

## Dresser With 6 Drawers

---

<b>A</b> Dresser	<b>B</b> Leg-L	<b>C</b> Leg-R	<b>D</b> Jcbc M6 x 35mm
			
1 pc	2 pcs	2 pcs	8 pcs
<b>E</b> Wood Button	<b>F</b> Allen Key M4	<b>G</b> Anti-Tipping Kit	
			
8 pcs	1 pc	1 pc	

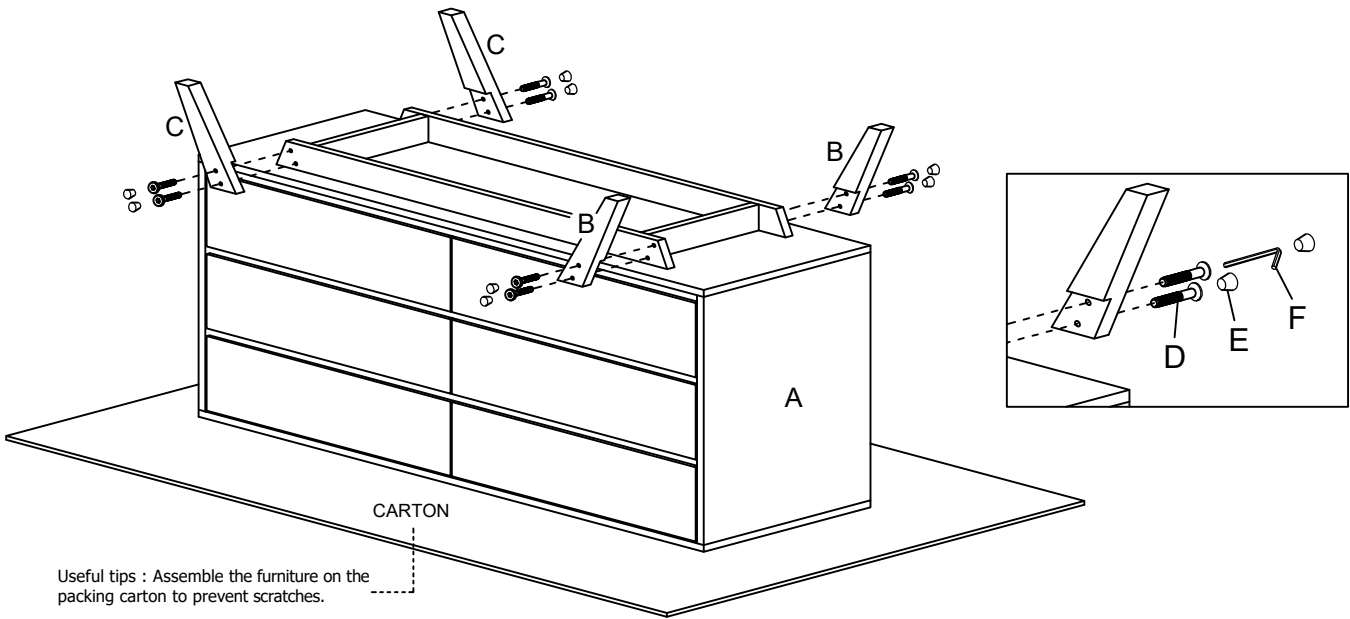
---



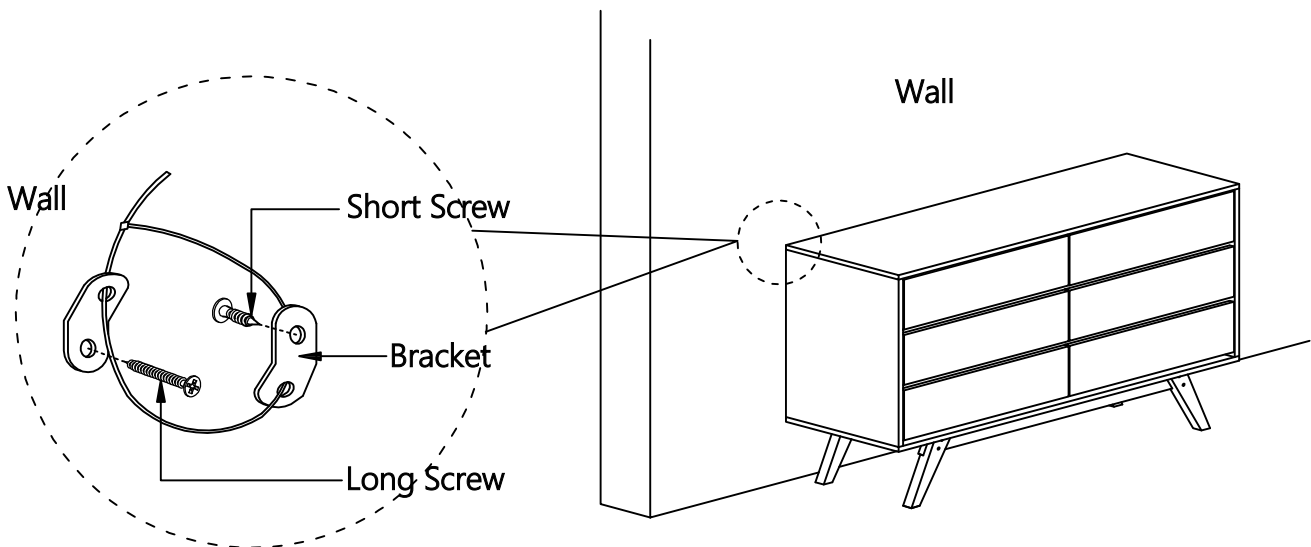
This page lists all the contents included in the box. Please take the time to identify the hardware as well as the individual components to this product. As you unpack and prepare for assembly, place the contents on a carpeted or padded area to protect them from damage.

**1**

Place the Dresser (A) on the ground. Tighten the Dresser (A), Leg-L (B) and Leg-R (C) by Jcbc (D) and Wood Button (E), and lock with Allen Key (F).

**2**

Attach Anti-Tipping Kit (G) to wall. Attach bracket (vertically) to wall using the long screw provided. Attach bracket (vertically) to furniture back (directly below top) with short screw. Place bracket as close to center of furniture back as possible in relation to wall stud and the desired position in the room. Move furniture to its final position. Thread the strap through bracket, pull it tight.



### Cleaning & Care

Treat Surface with care. Surface is resistant to scratches but is not scratch resistant. Clean surfaces with a dry or damp soft cloth. Do not use abrasive cleaners. Hardware may loosen over time. Periodically check that all connections are tight.