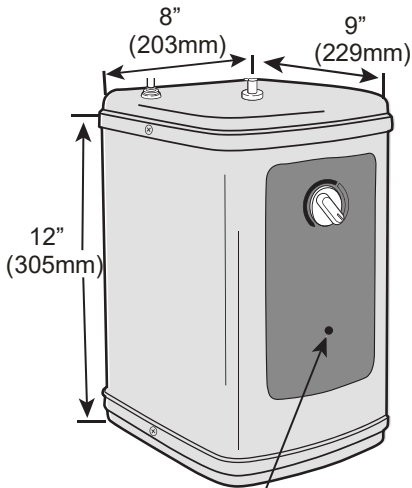


- STAINLESS STEEL HOUSING
- STAINLESS STEEL HEATER ELEMENT
- STAINLESS STEEL INLET, AND OUTLET TUBES
- COMPATIBLE WITH RO SYSTEM

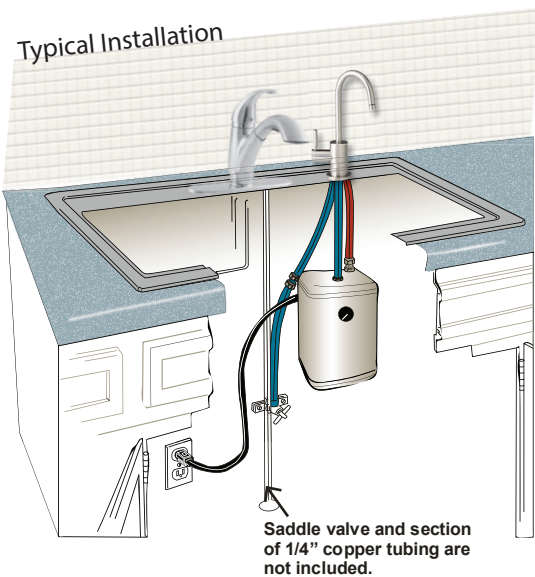
## Dimensions



- Indicator Light
- Red Light (heating to maximum adjustment)
  - Green Light (tank is fully heated)

- INSTALLATION:** Easy to install quick-connect fittings and convenient connections reduce probability of kinked or twisted water lines.
- CONSISTENT PERFORMANCE:** 1300 WATT HEATING allows fast recovery time. A large 2.5 quarts (2.4L) reservoir delivers a generous 60+ cups per hour capacity.
- RELIABLE PERFORMANCE:** Due to the high temperature of the water, the tank is not under pressure. Our self-contained expansion chamber reduces dripping.
- FINGERTIP ADJUSTMENT:** 208°F (98°C) hot water at your fingertips adjusts from 140°F (60°C) to 208°F (98°C). Great for cooking, instant coffee, tea or use in a wet bar.
- AUTOMATED HEATER PROTECTION:** Self re-setting thermal fuse protects the product in the event of a dry start up.
- ENERGY EFFICIENT:** Uses less electricity than a 40 watt light bulb. Comes with installed power cord.
- WARRANTY:** 3 Years Canada and USA

## Specifications



Watts	1300	
Voltage	120V	220V
Current-Amps	10.8	5.9
Hz	50/60Hz	
Tank	Insulated stainless steel	
Capacity	2.5 Quarts (2.4L) 60+ Cups Per Hour	
Temperature Range	Adjustable from 140°F (60°C) to 208°F (98°C)	
Outside Case	Stainless steel	
Drain Plug	Removable	
Faucet	Open vent faucet required (Supplied Separately)	
Water Connections	Quick connect	
Weight	1 RH-200-SS w/o faucet Shipping 12 lbs. (5.45 Kg)	

Designer Faucets Available. Sold Separately.

©2013 Joneca Corporation, All Rights Reserved

Due to continued product improvement, system configurations and specifications may change without notice.



**Anaheim Marketing International**

4332 E. La Palma Avenue  
Anaheim, California 92807  
Telephone: 714.993.1707 Fax: 714.993.1930  
Website: [www.AnaheimMarketing.com](http://www.AnaheimMarketing.com)  
Email: [ContactUs@AnaheimMarketing.com](mailto:ContactUs@AnaheimMarketing.com)



**Joneca Corporation**

4332 E. La Palma Avenue  
Anaheim, California 92807  
Telephone: 714.993.5997 Fax: 714.993.2126  
Website: [www.Joneca.com](http://www.Joneca.com)  
Email: [ContactUs@Joneca.com](mailto:ContactUs@Joneca.com)