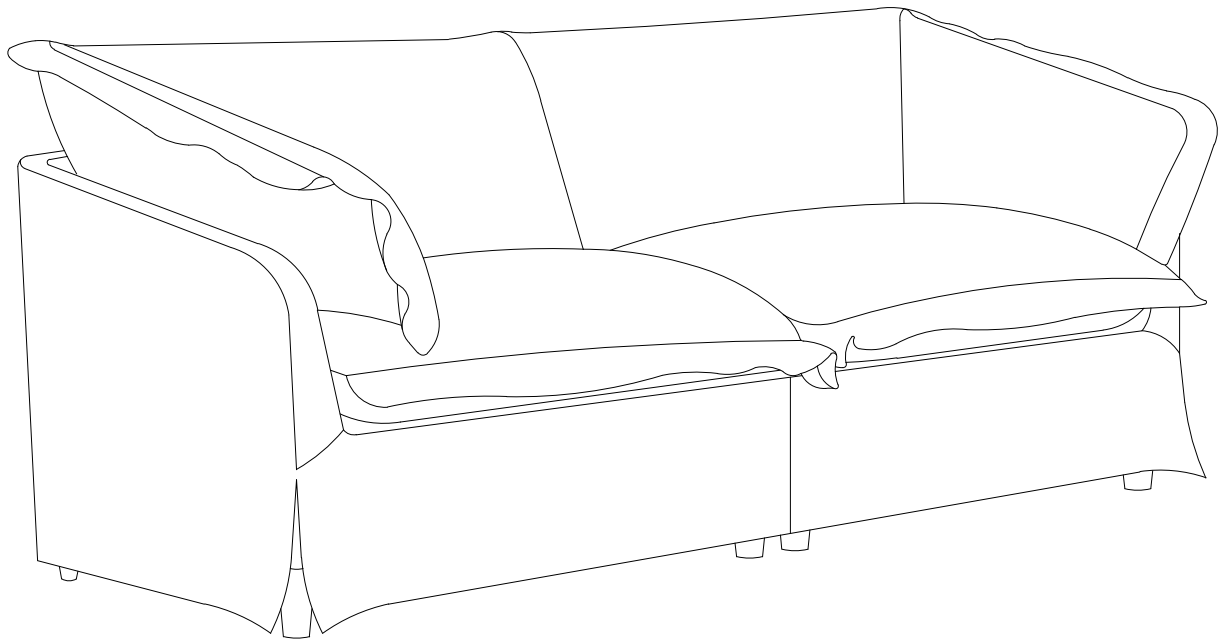
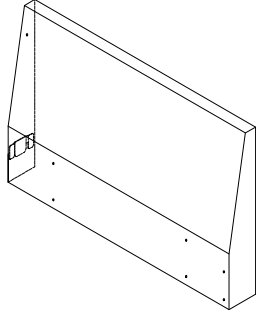
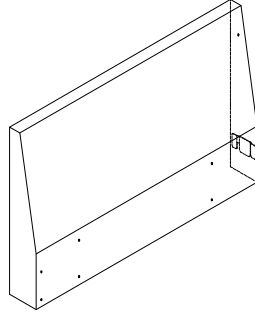
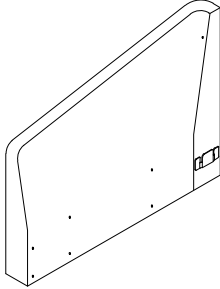
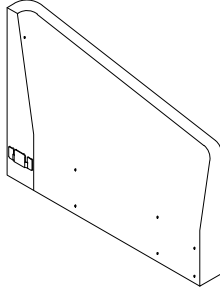
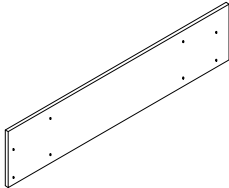
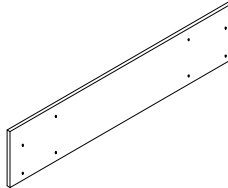
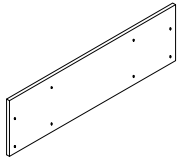
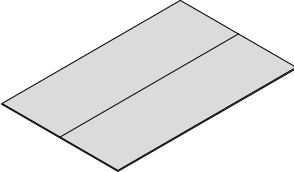
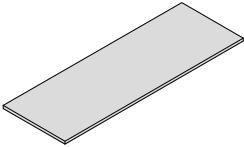
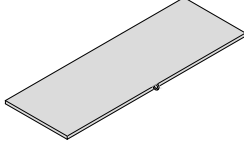
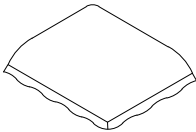
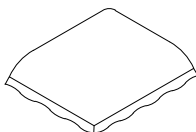
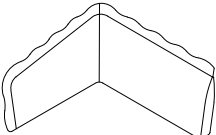
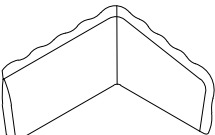


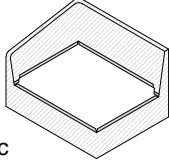
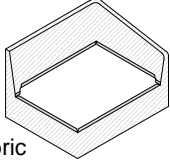
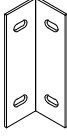
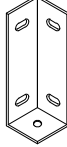
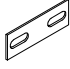
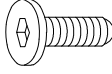
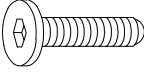

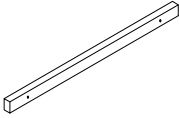

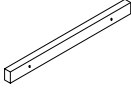

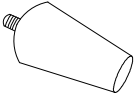
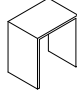

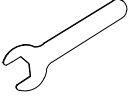
INSTALLATION GUIDE



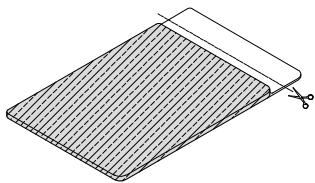
PARTS LIST

A1	 Left back	1PC	A2	 Right back	1PC
A3	 Left arm	1PC	A4	 Right arm	1PC
B1	 	1PC	B2	 	1PC
B3	 	2PCS	C1	 	2PCS
C2	 	2PCS	C3	 	2PCS
D1	 	1PC	D2	 	1PC
D3	 	1PC	D4	 	1PC

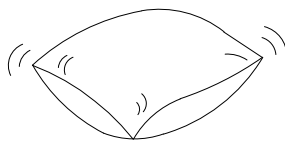
PARTS LIST

D5	 Left fabric	1PC	D6	 Right fabric	1PC
1		4PCS	2		2PCS
3		2PCS	4	 M6x15mm	28PCS
5	 M6x35mm	32PCS	6		60PCS
7	 700mm	8PCS	8		2PCS
9	 500mm	8PCS	12		8PCS
L		8PCS	N		2PCS
O		2PCS	K		1PC

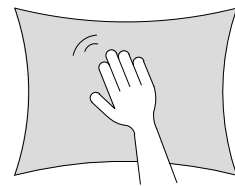
Core recovery steps



1. Open the compressed package with scissors



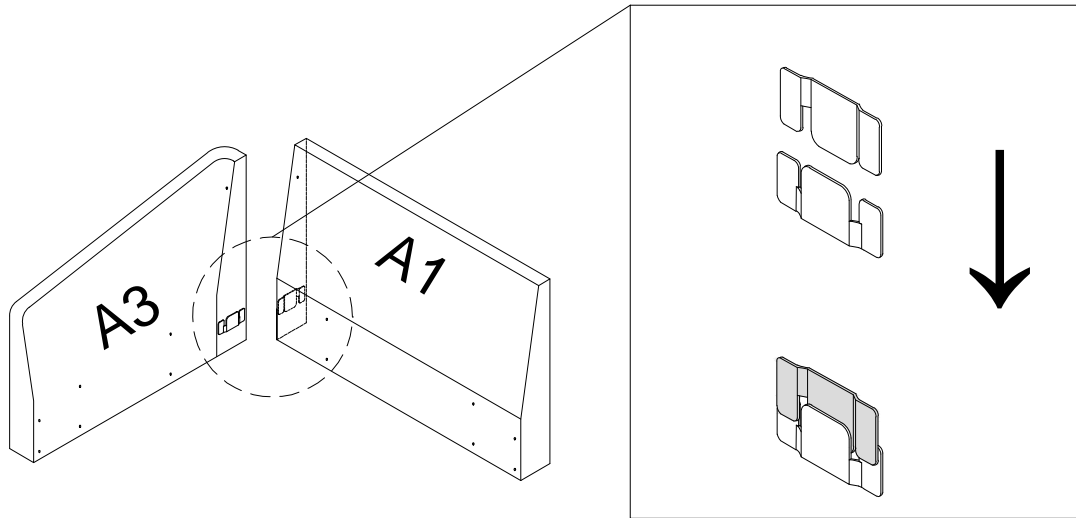
2. Take out the compressed inner core and make it fluffy for a period of time



3. Zip up and pat the pillow evenly

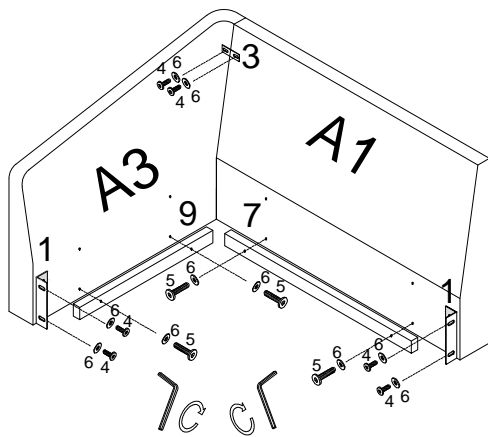
LEFT SECTION

1.



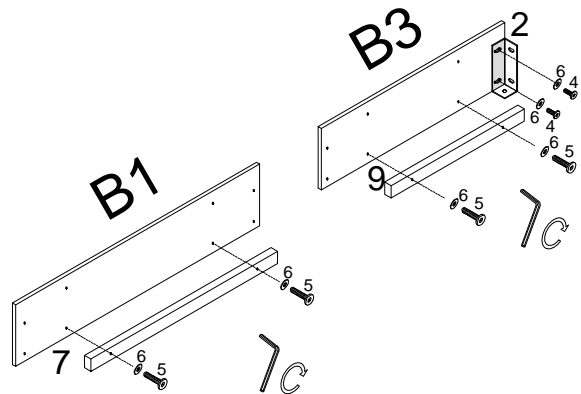
(A1=1PC) (A3=1PC)

2.



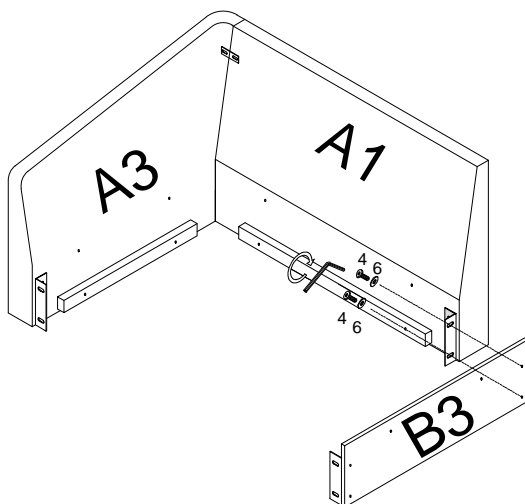
(9=1PC) (7=1PC) (1=2PCS) (4=6PCS) (5=4PCS) (6=10PCS) (3=1PC)

3.



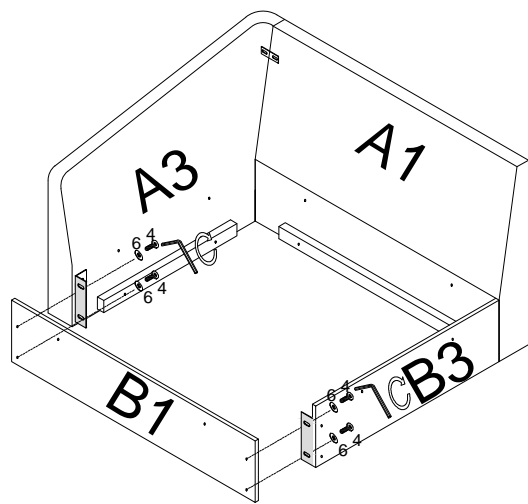
(B1=1PC) (B2=1PC) (9=1PC) (7=1PC) (2=1PC) (6=6PCS) (5=4PCS) (4=2PCS)

4.



(6=2PCS) (4=2PCS)

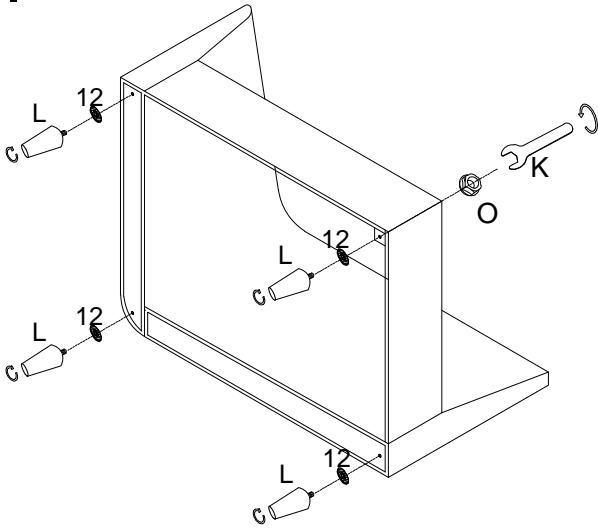
5.



(6=4PCS) (4=4PCS)

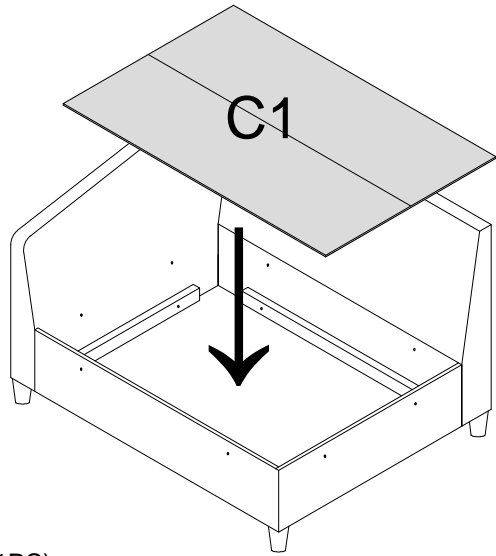
LEFT SECTION

6.



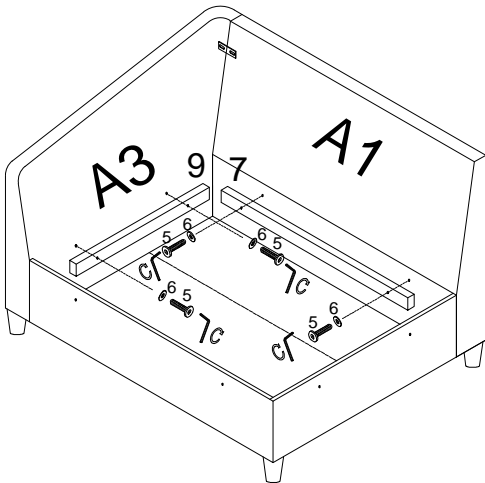
(L=4PCS) (12=4PCS) (O=1PC) (K=1PC)

7.



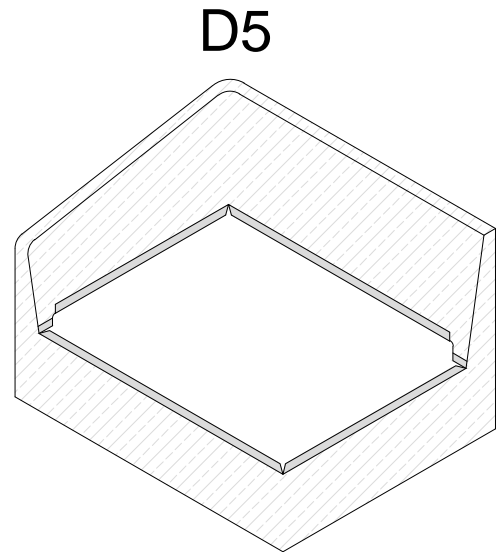
(C1=1PC)

8.

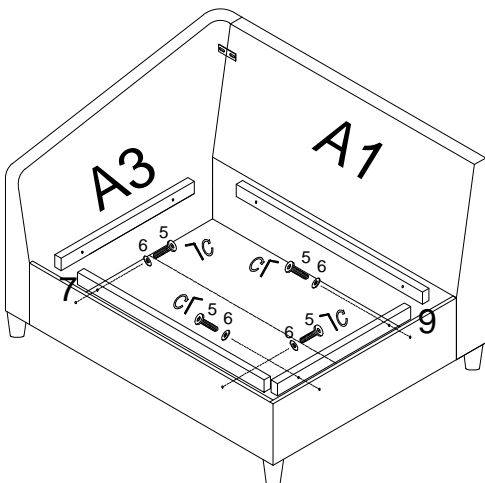


(6=4PCS) (5=4PCS) (9=1PC) (7=1PC)

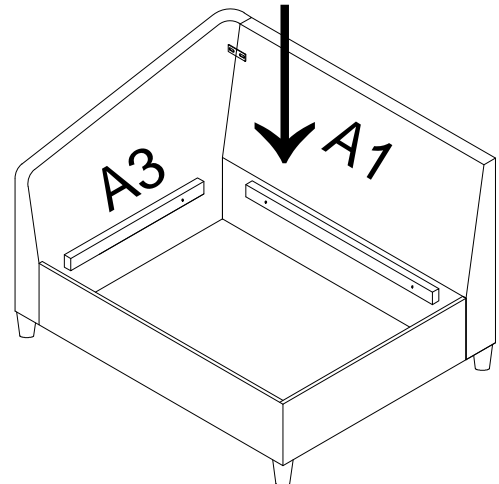
10.



9.



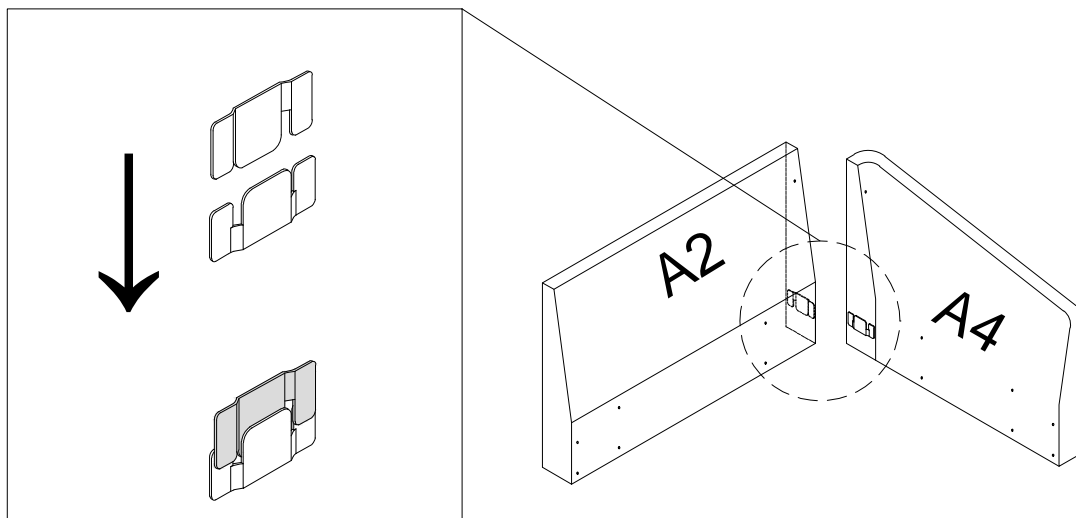
(6=4PCS) (5=4PCS) (9=1PC) (7=1PC)



(D5=1PC)

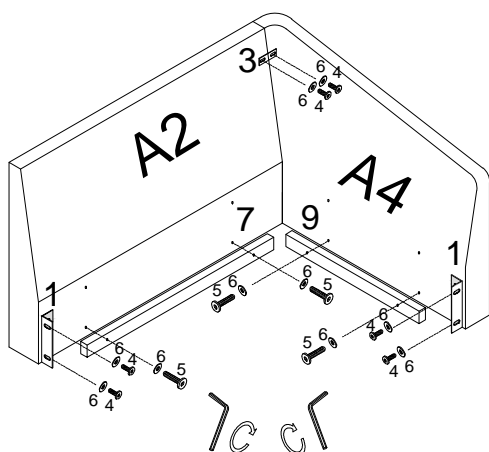
RIGHT SECTION

11.



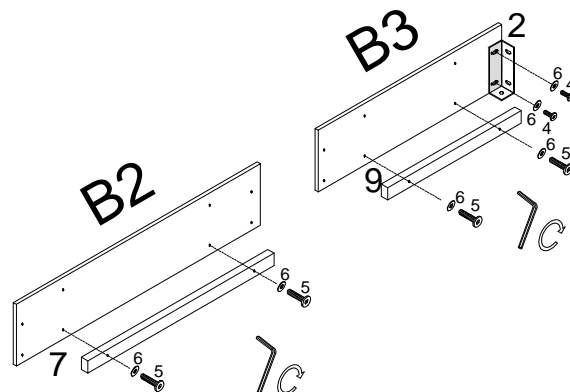
(A2=1PC) (A4=1PC)

12.



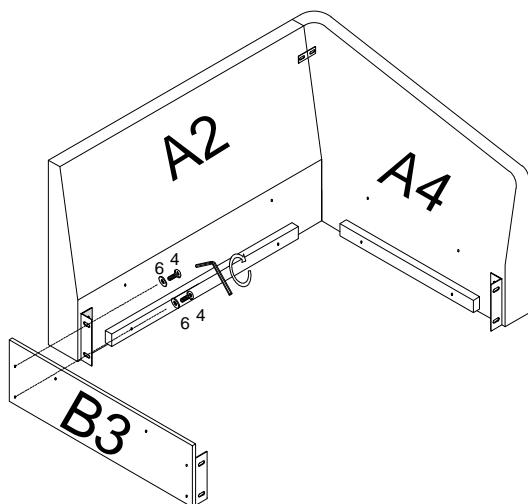
(9=1PC) (7=1PC) (1=2PCS) (4=6PCS) (5=4PCS) (6=10PCS) (3=1PC)

13.



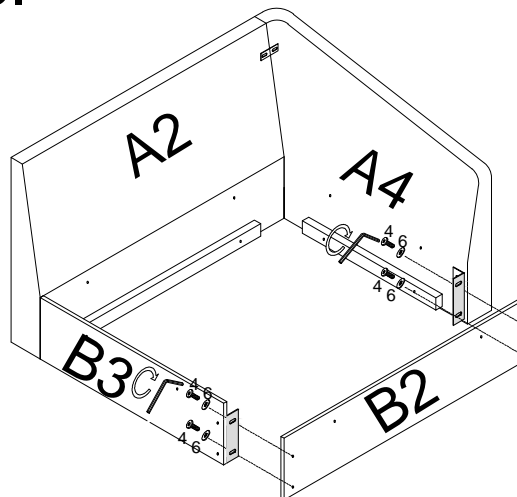
(B2=1PC) (B3=1PC) (9=1PC) (7=1PC) (2=1PC) (6=6PCS) (5=4PCS) (4=2PCS)

14.



(6=2PCS) (4=2PCS)

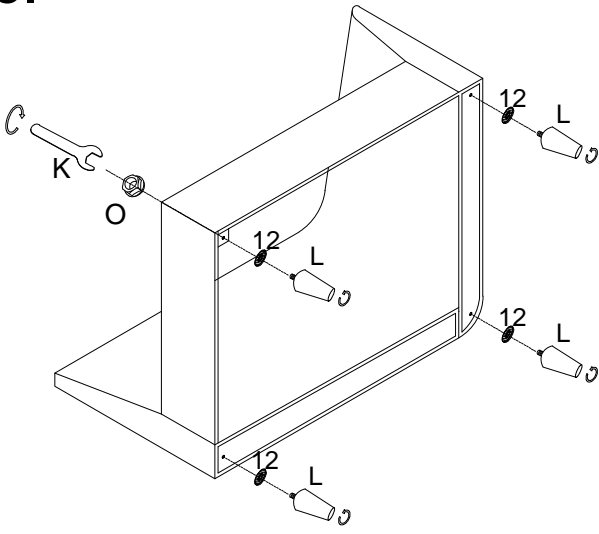
15.



(6=4PCS) (4=4PCS)

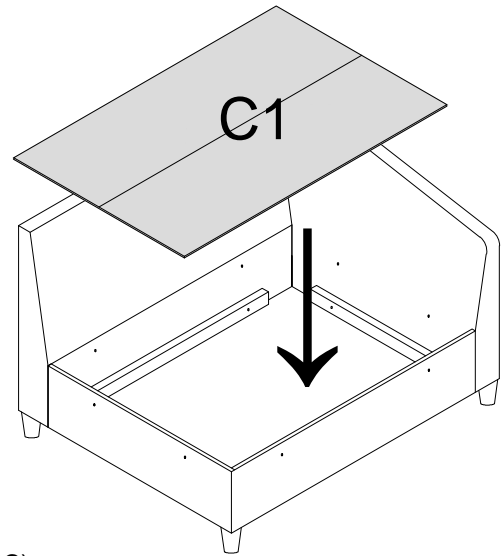
RIGHT SECTION

16.



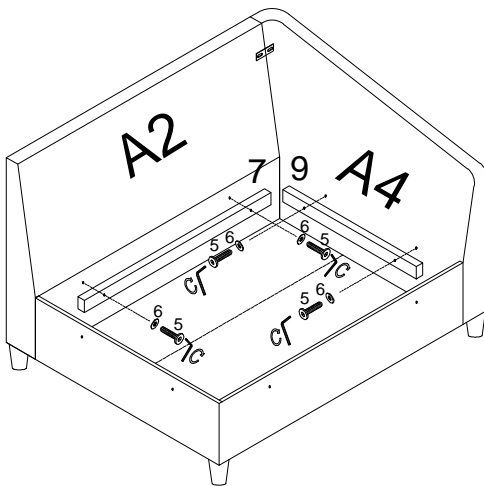
(L=4PCS) (12=4PCS) (O=1PC) (K=1PC)

17.



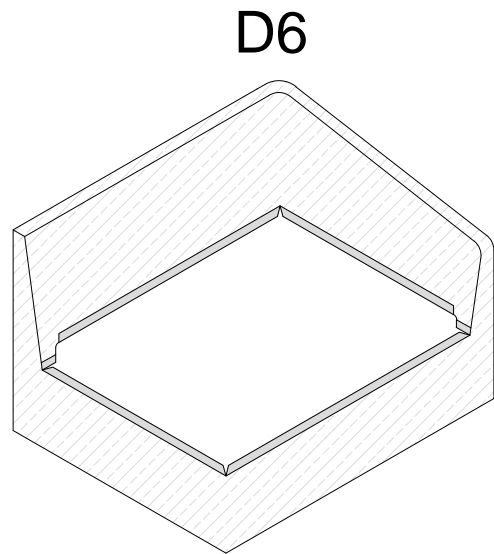
(C1=1PC)

18.

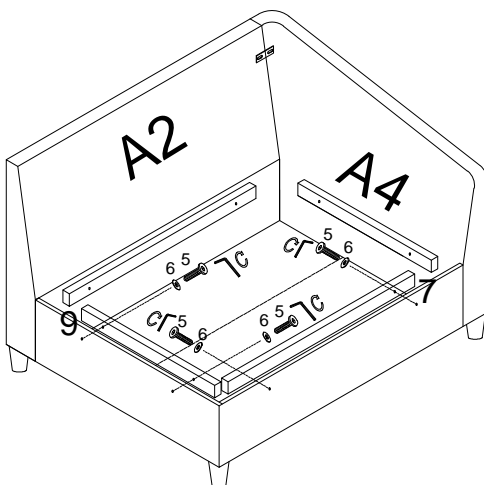


(6=4PCS) (5=4PCS) (9=1PC) (7=1PC)

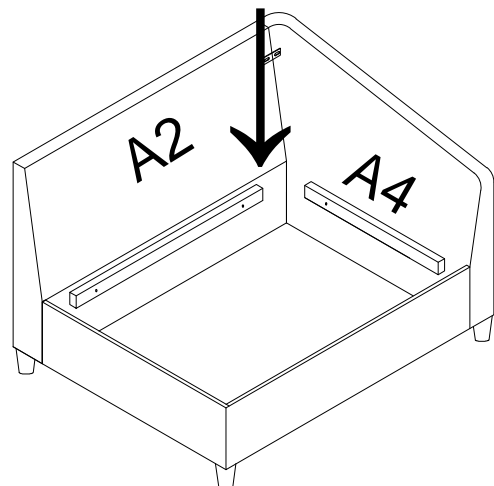
20.



19.

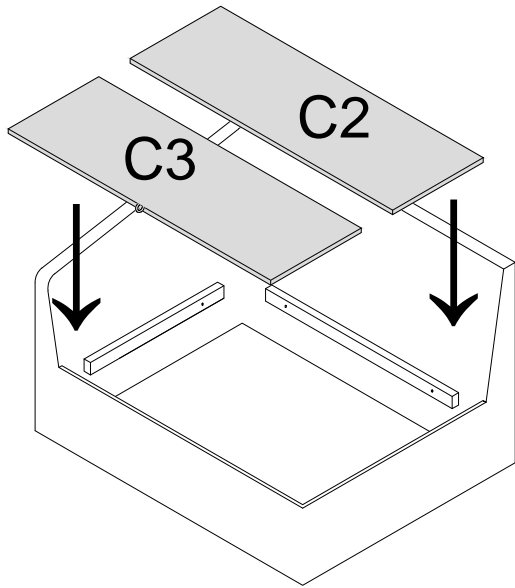


(6=4PCS) (5=4PCS) (9=1PC) (7=1PC)



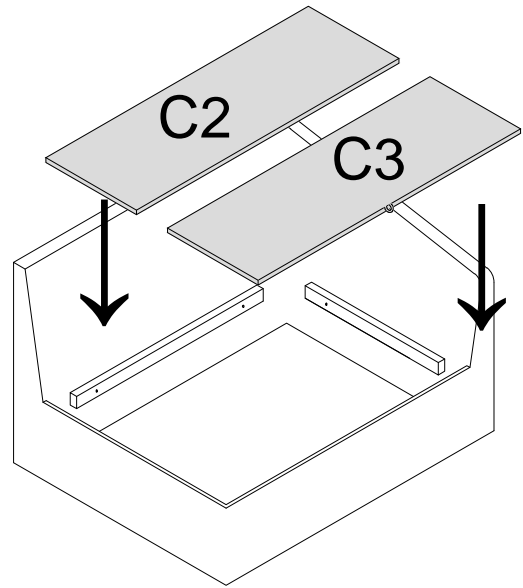
(D6=1PC)

21.



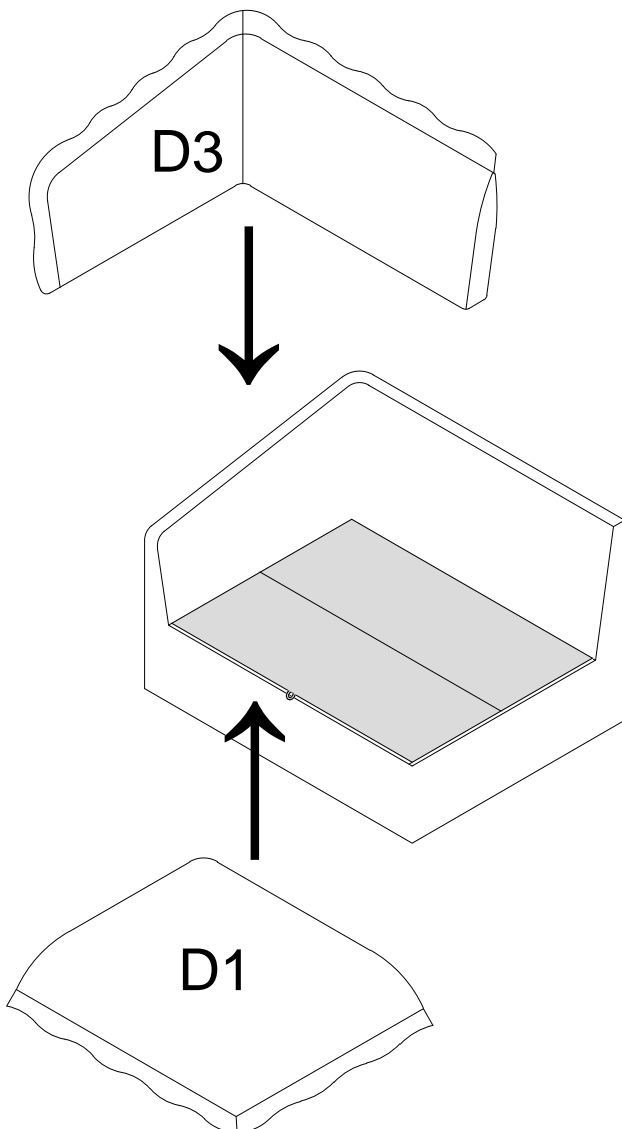
(C2=1PC) (C3=1PC)

22.



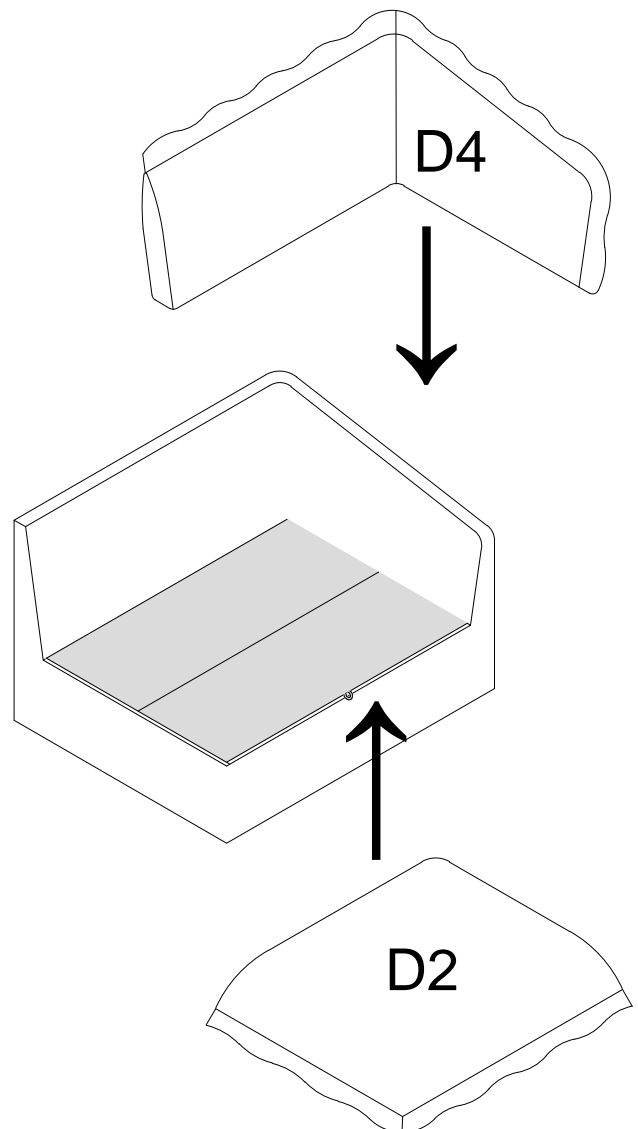
(C2=1PC) (C3=1PC)

23.



(D1=1PC) (D3=1PC)

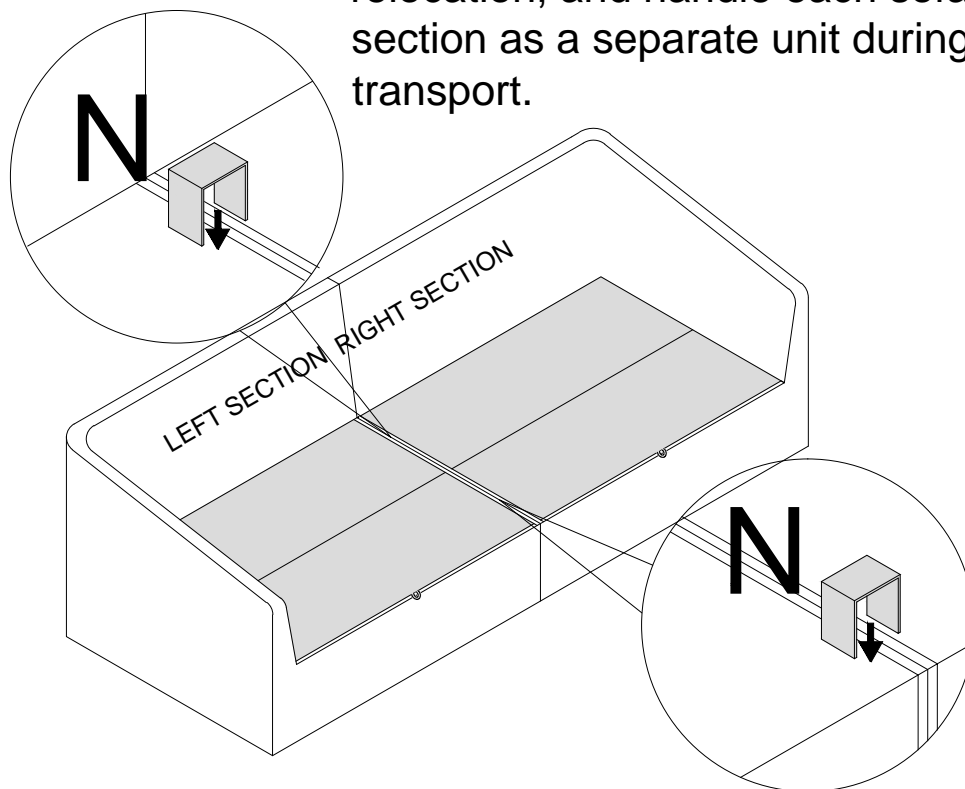
24.



(D2=1PC) (D4=1PC)

25.

TIPS: Disassemble Part N prior to relocation, and handle each sofa section as a separate unit during transport.



(11=2PCS)

26.FINISH

