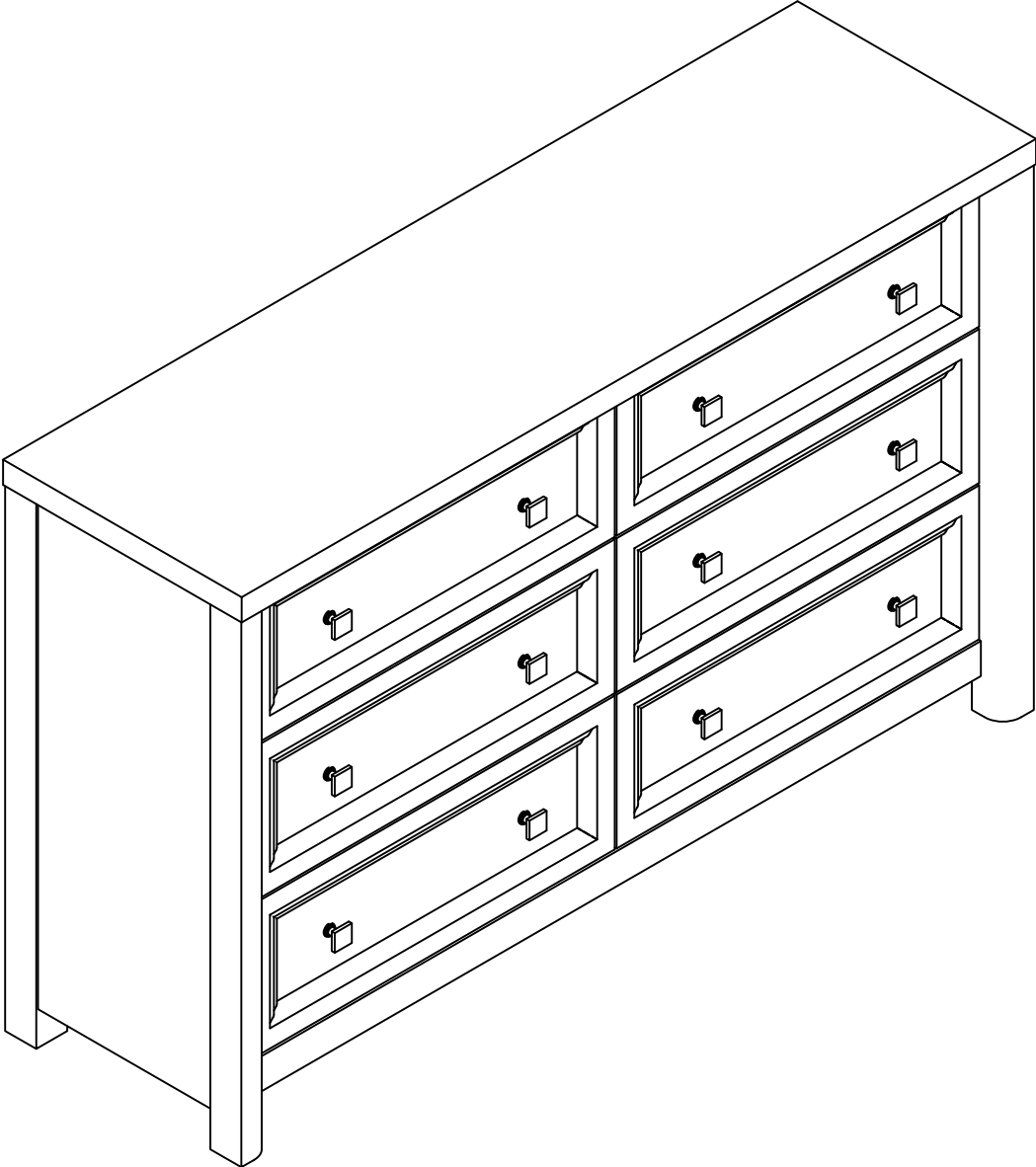
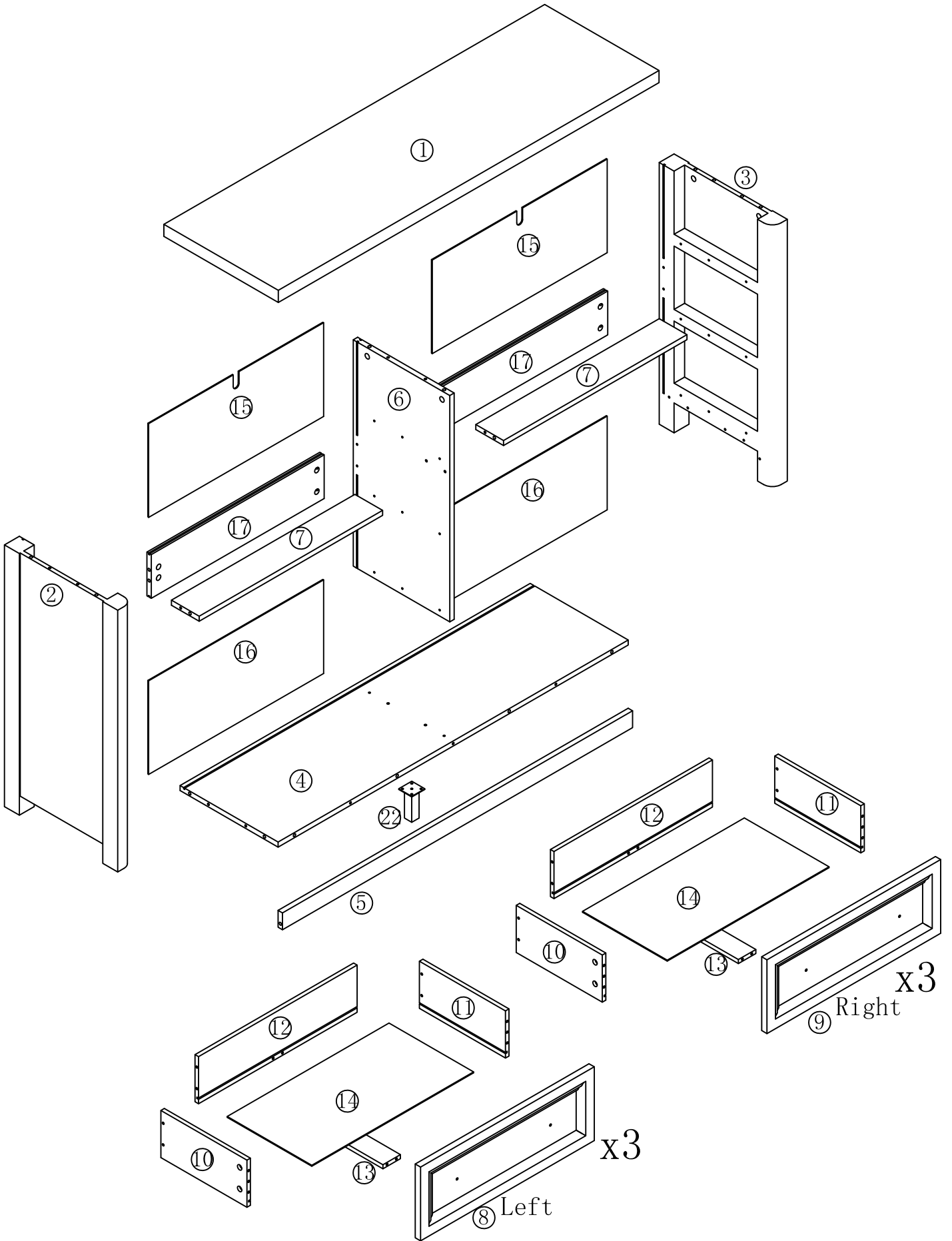




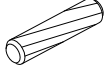
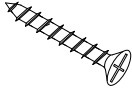

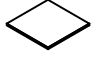
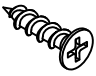
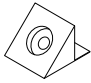

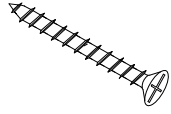

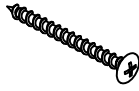
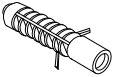


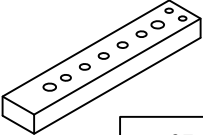
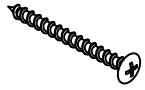


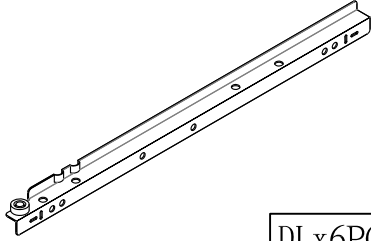
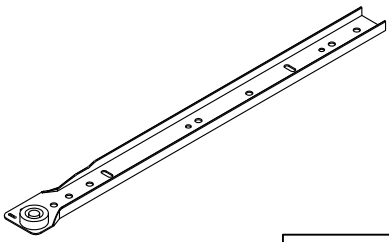
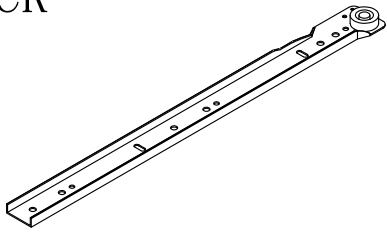
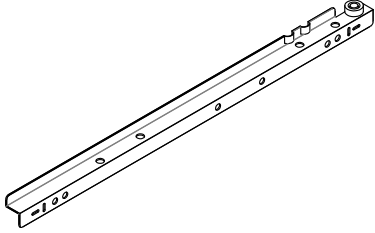
Installation & Assembly

3-6 drawer

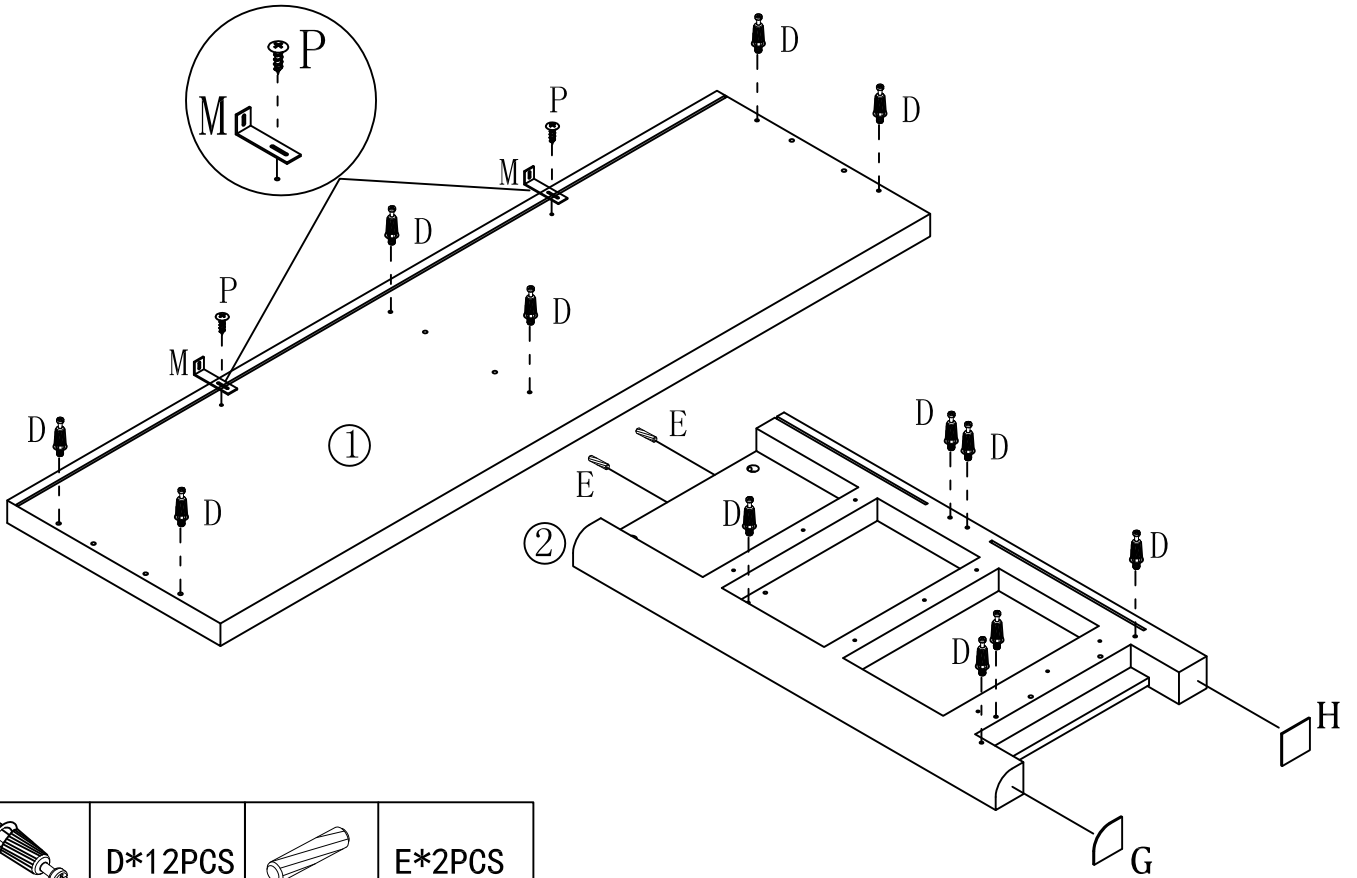



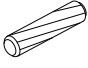
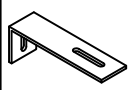


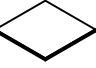


<p>A</p>  <p>12PCS</p>	<p>B</p>  <p>$\phi 4 * 10 \text{MM}$ 12+1PCS</p>	<p>C</p>  <p>58+2PCS</p>	<p>D</p>  <p>58+2PCS</p>
<p>E</p>  <p>$\phi 6 * 30 \text{MM}$ 43+2PCS</p>	<p>F</p>  <p>$\phi 4 * 30 \text{MM}$ 30+2PCS</p>	<p>G</p>  <p>2PCS</p>	<p>H</p>  <p>2PCS</p>
<p>I</p>  <p>$\phi 3.5 * 12 \text{MM}$ 72+2PCS</p>	<p>J</p>  <p>12+1PCS</p>	<p>K</p>  <p>$\phi 3 * 16 \text{MM}$ 12+1PCS</p>	<p>L</p>  <p>$\phi 4 * 40 \text{MM}$ 2PCS</p>
<p>M</p>  <p>2PCS</p>	<p>N</p>  <p>$\phi 4 * 35 \text{MM}$ 2PCS</p>	<p>O</p>  <p>2PCS</p>	<p>P</p>  <p>$\phi 4 * 15 \text{MM}$ 2PCS</p>
<p>Q</p>  <p>$\phi 4 * 12 \text{MM}$ 4PCS</p>	<p>R</p>  <p>2PCS</p>	<p>S</p>  <p>$\phi 4 * 35 \text{MM}$ 4PCS</p>	

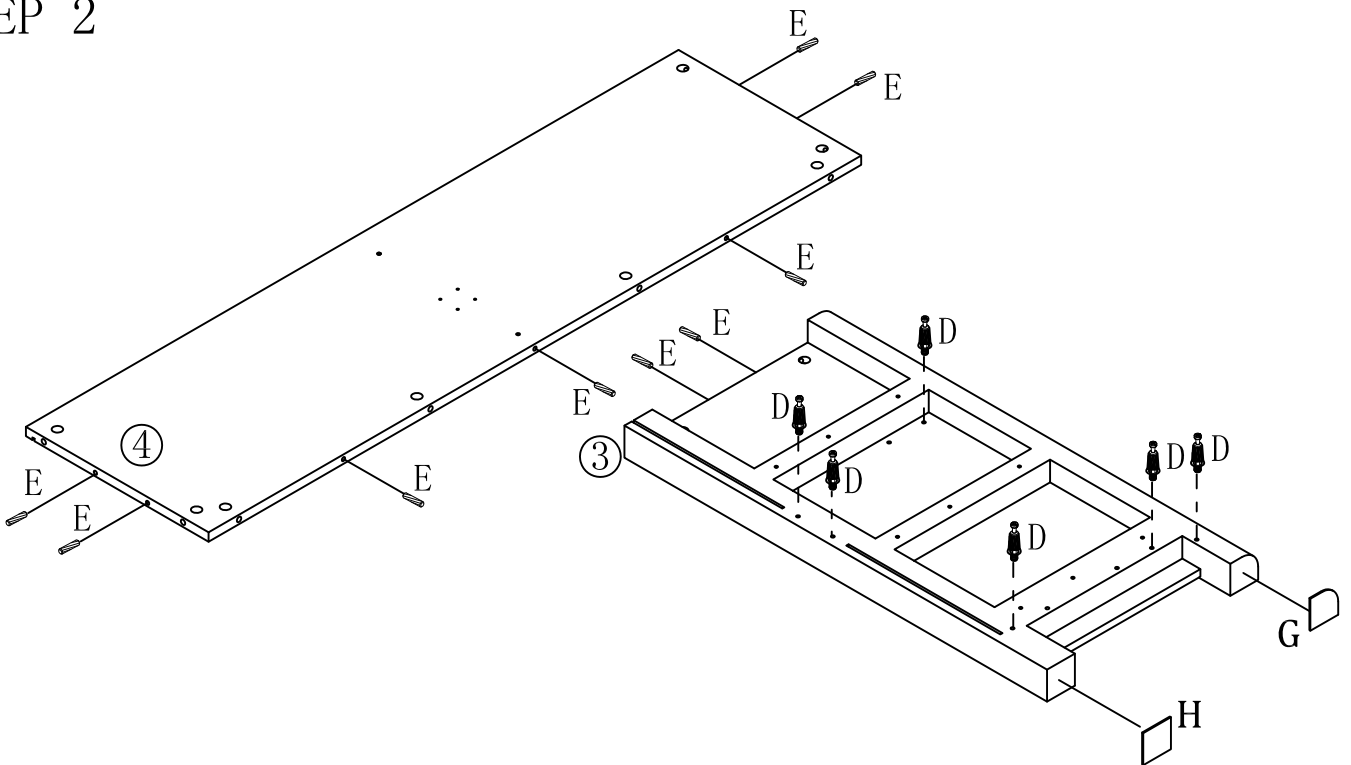
<p>DL</p>  <p>DLx6PCS</p>	<p>CL</p>  <p>CLx6PCS</p>
<p>CR</p>  <p>CRx6PCS</p>	<p>DR</p>  <p>DRx6PCS</p>


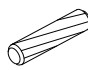
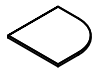
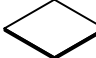
STEP 1



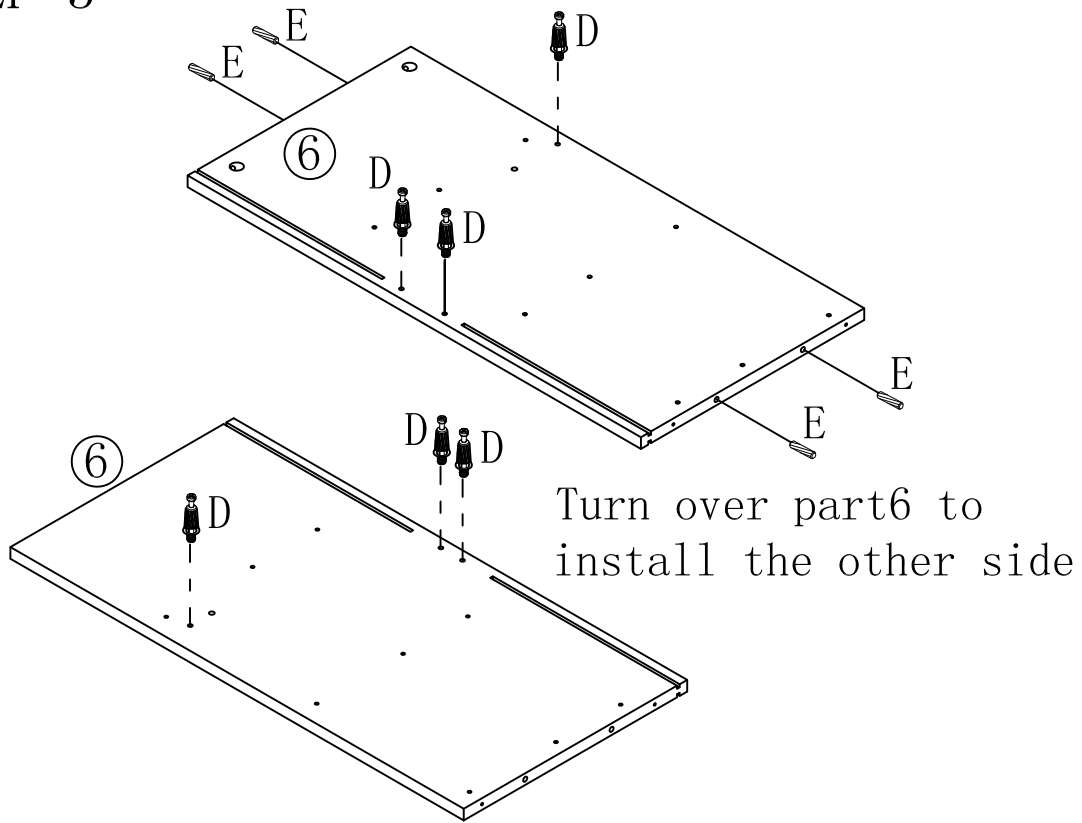
	D*12PCS		E*2PCS		M*2PCS		P*2PCS
	G*1PCS		H*1PCS				

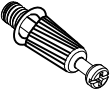
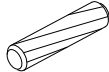
STEP 2



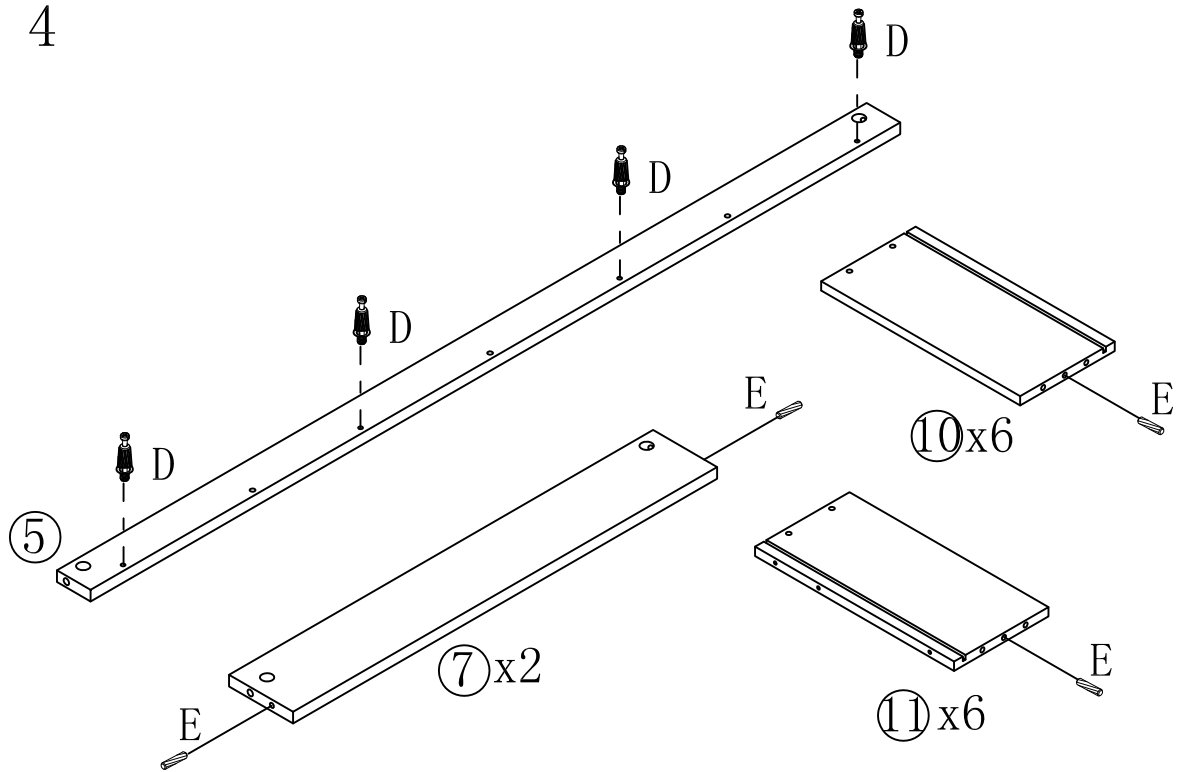
	D*6PCS		E*9PCS		G*1PCS		H*1PCS
---	--------	---	--------	---	--------	--	--------

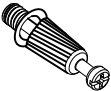
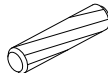
STEP 3



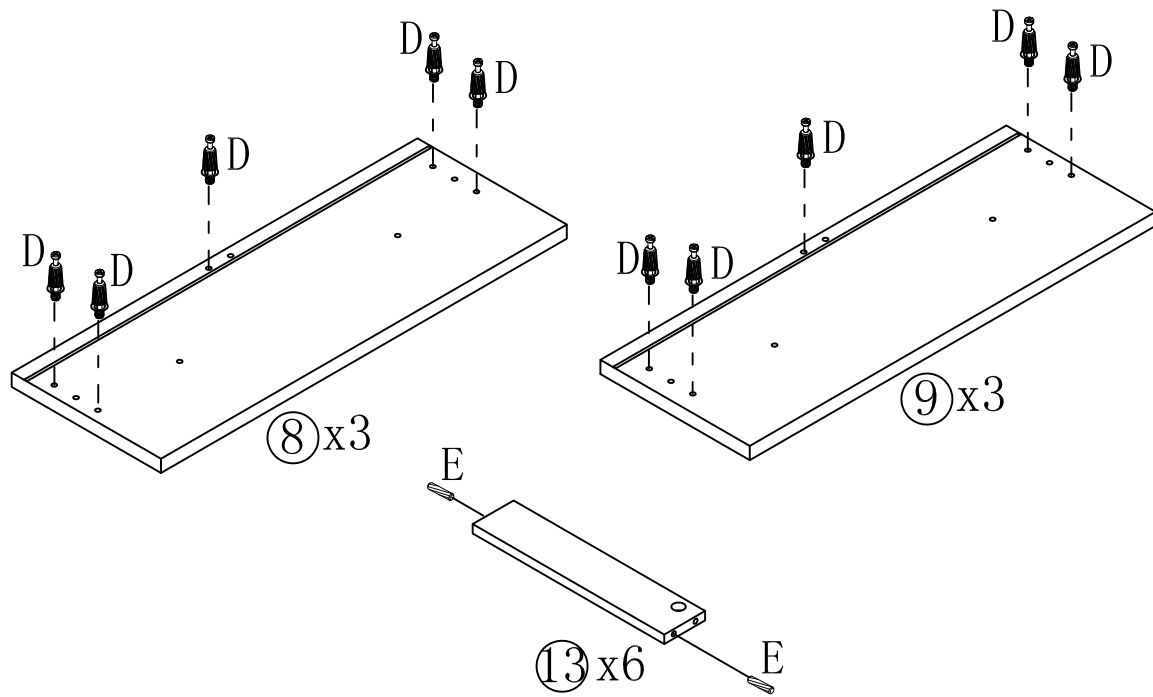
	D*6PCS		E*4PCS
--	--------	--	--------


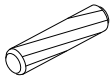
STEP 4



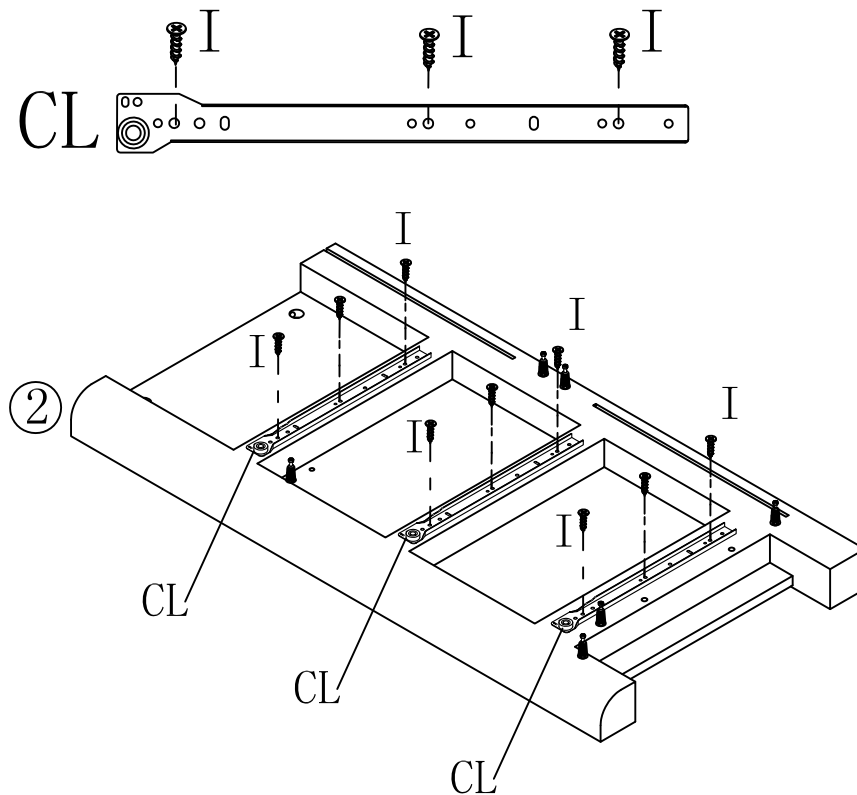
	D*4PCS		E*16PCS
---	--------	---	---------


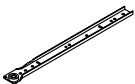
STEP 5



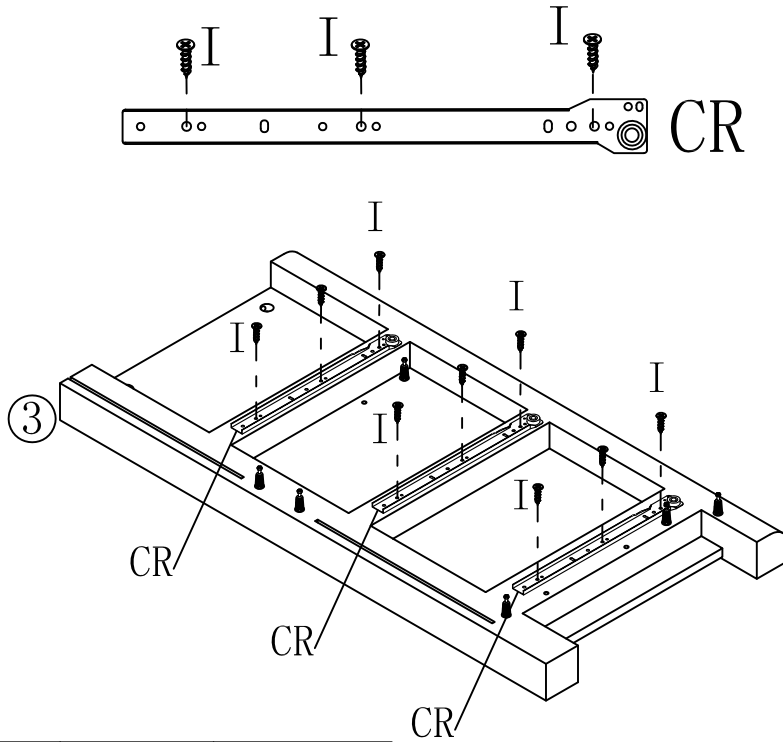
	D*30PCS		E*12PCS
--	---------	--	---------


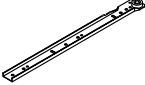
STEP 6



	I*9PCS		CL*3PCS
---	--------	---	---------

STEP 7

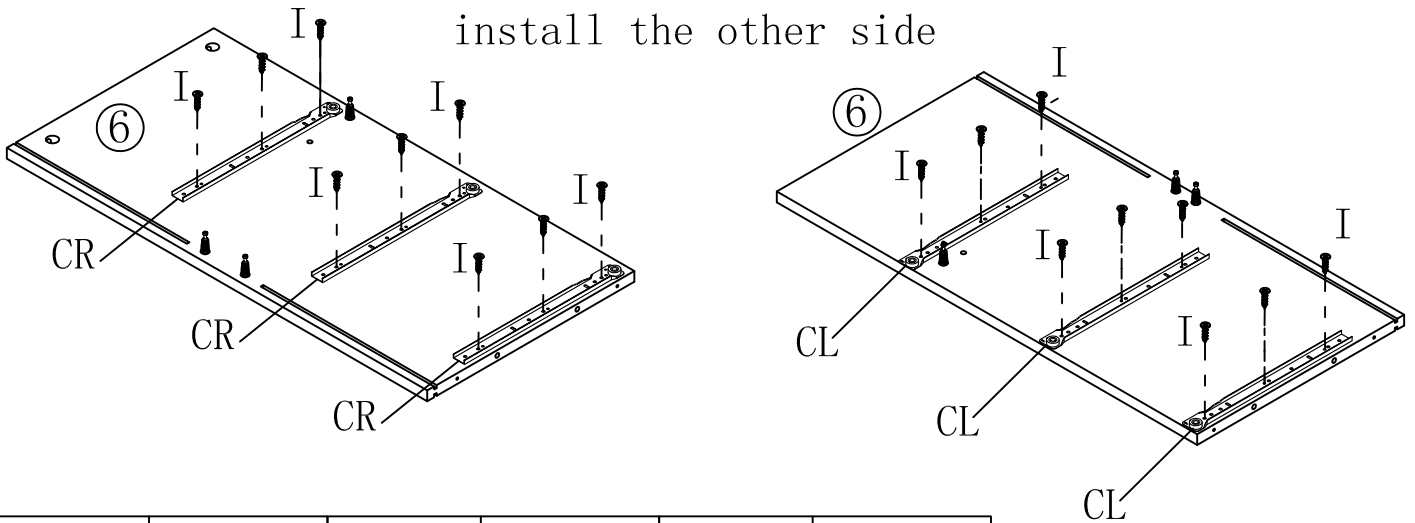



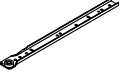
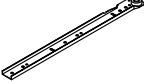
	I*9PCS		CR*3PCS
--	--------	--	---------

STEP 8

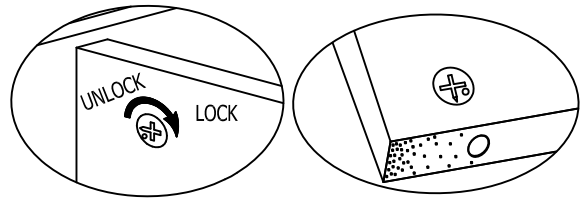
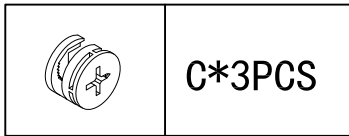
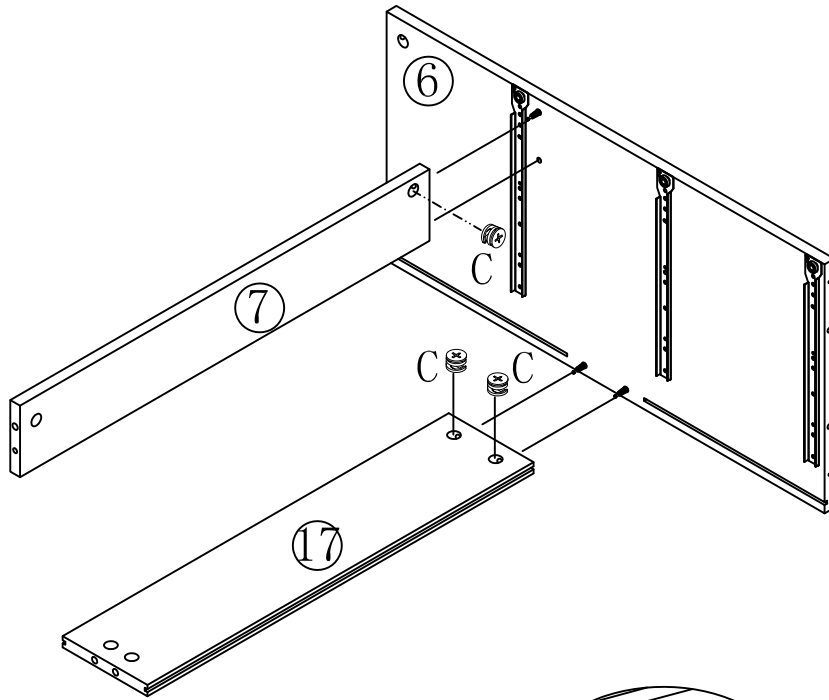


Turn over part6 to install the other side

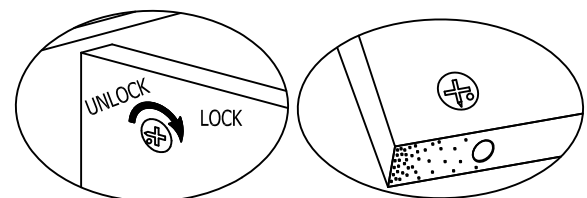
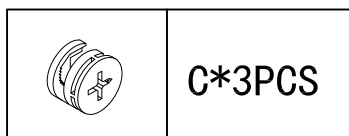
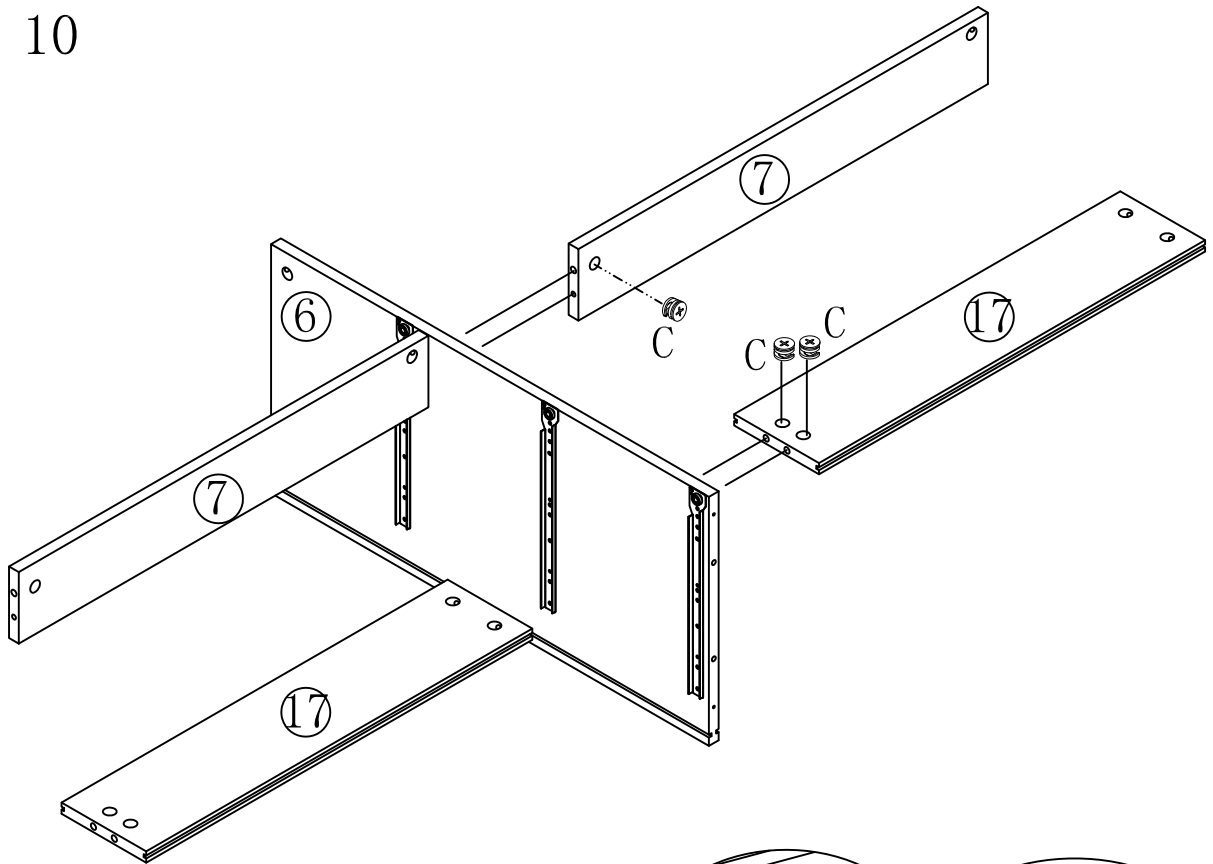


	I*18PCS		CL*3PCS		CR*3PCS
---	---------	---	---------	---	---------

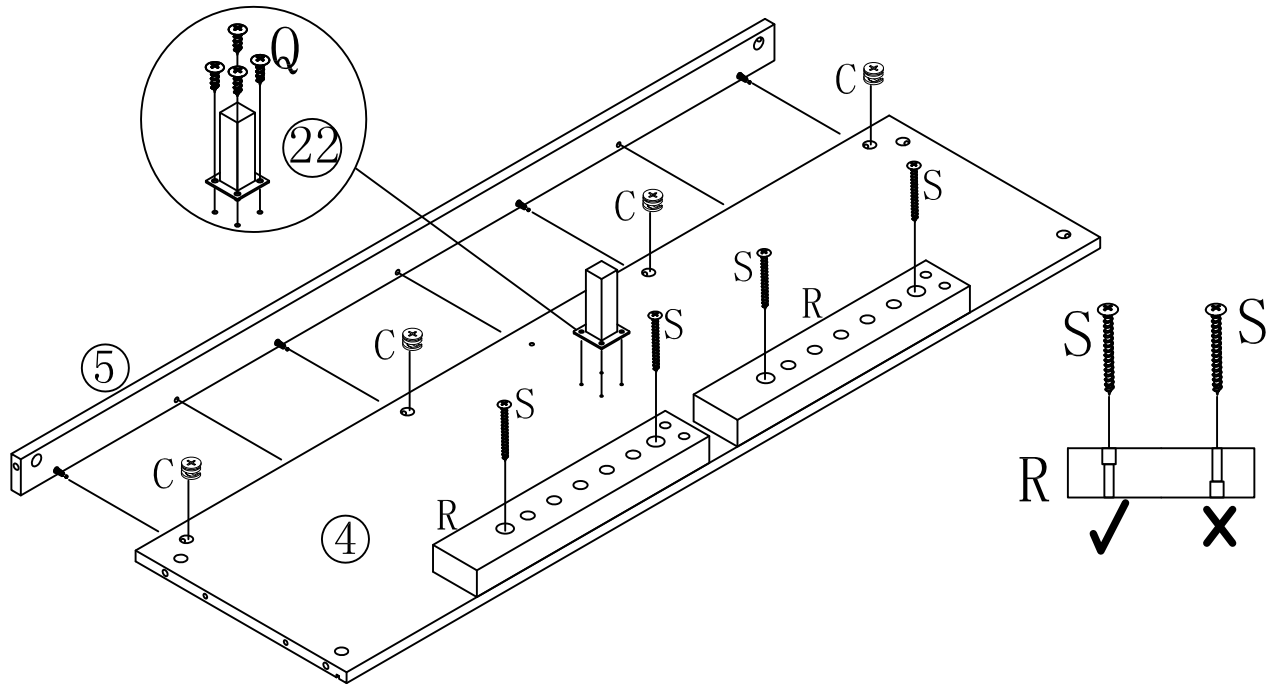
STEP 9

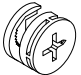

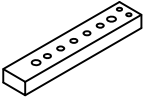



STEP 10

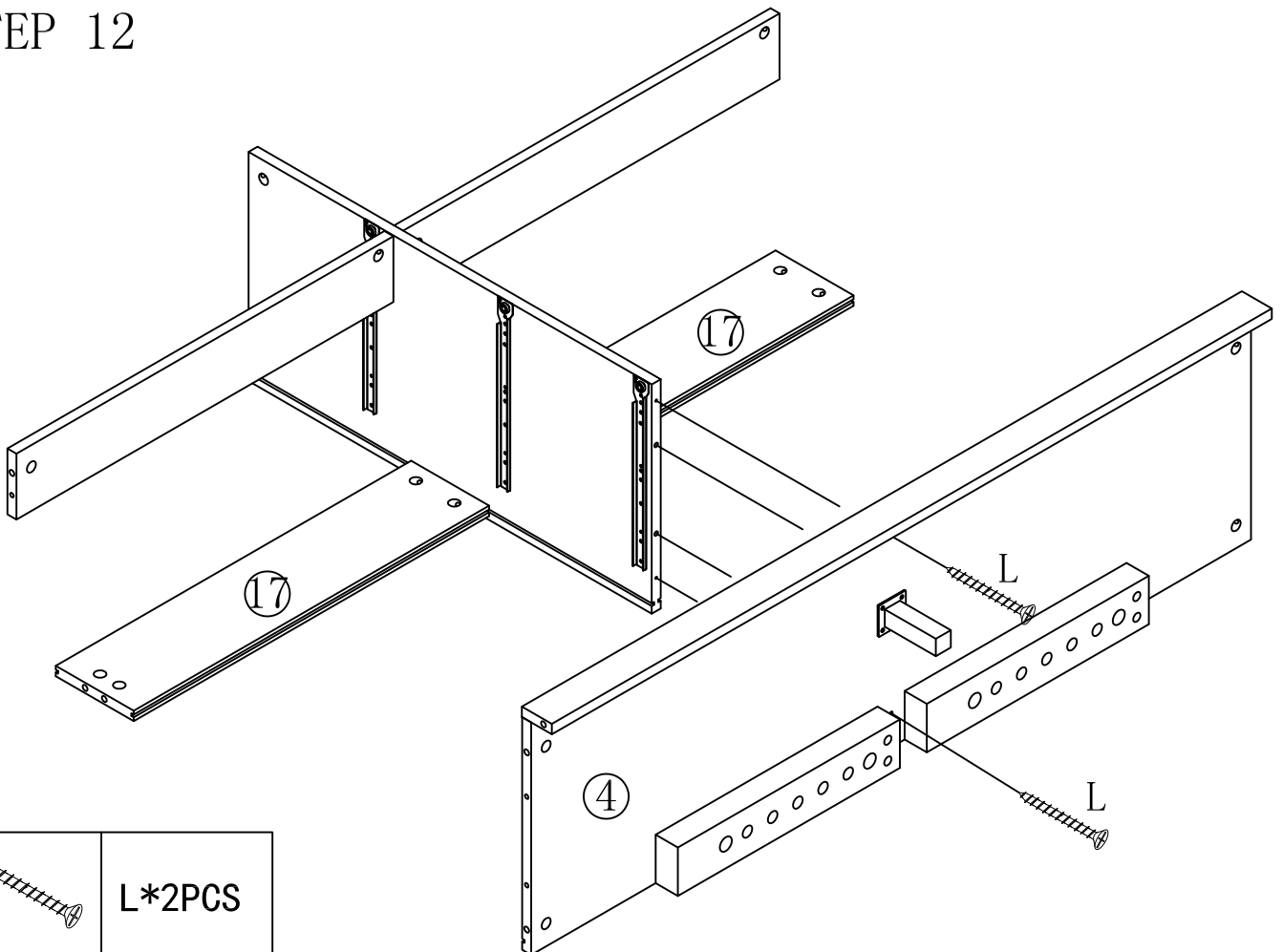



STEP 11



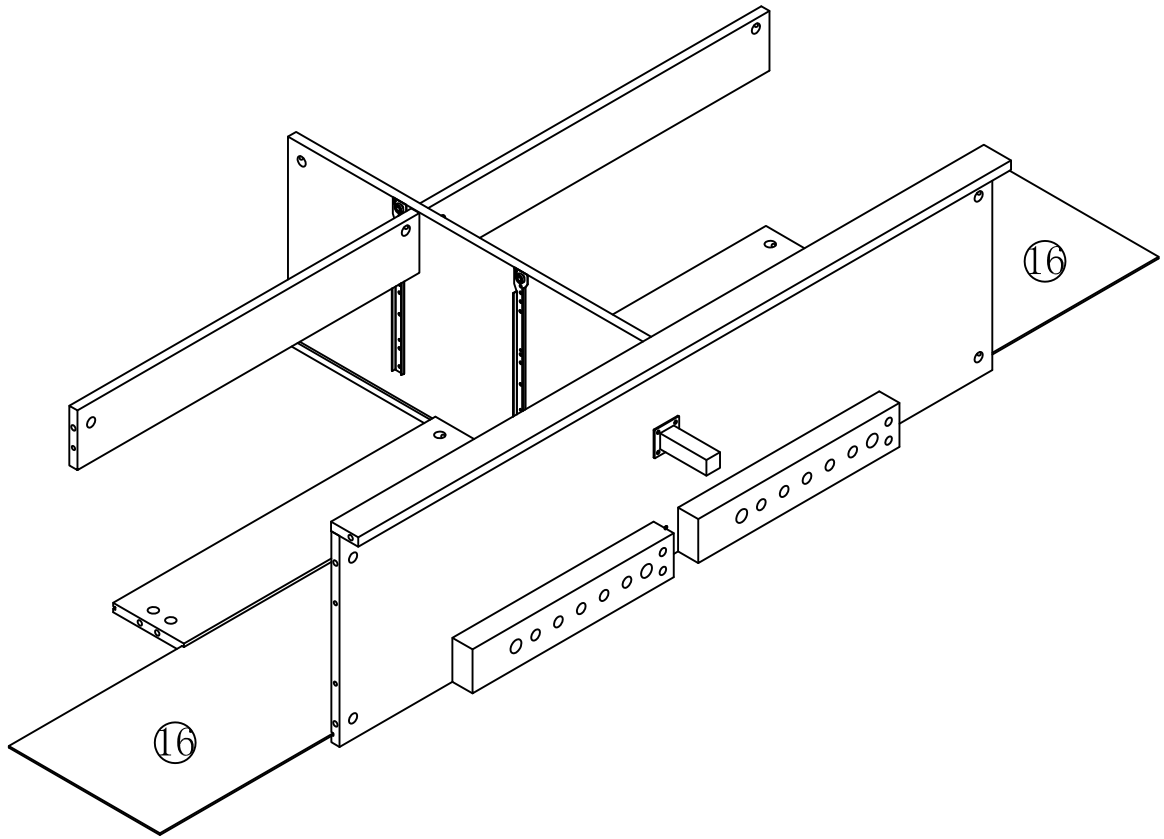
	C*4PCS		Q*4PCS		R*2PCS		S*4PCS
--	--------	--	--------	--	--------	--	--------

STEP 12

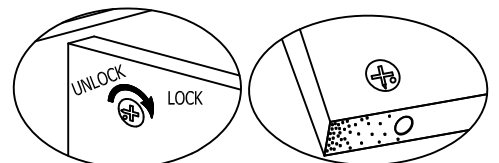
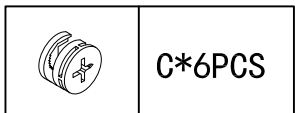
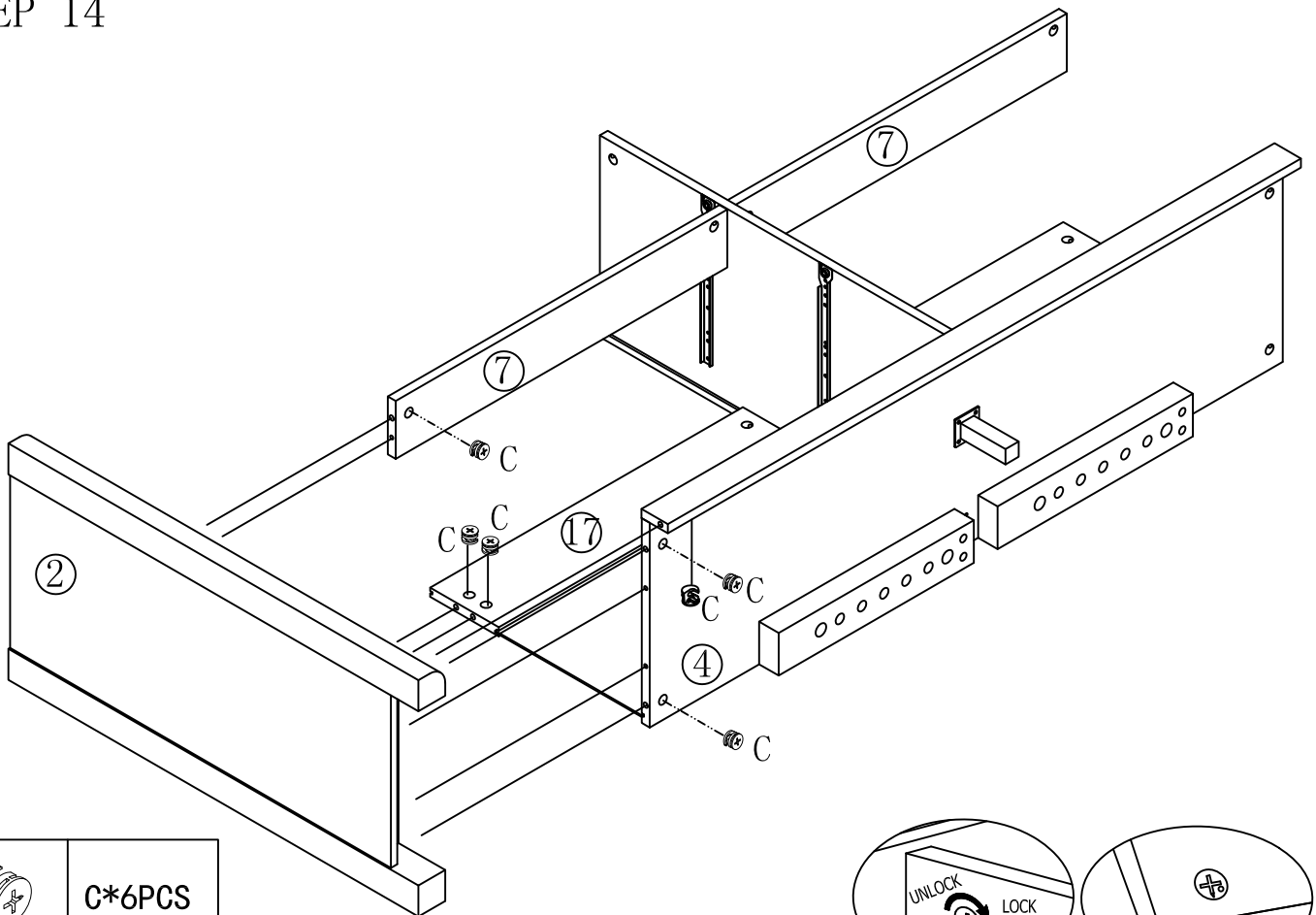


	L*2PCS
--	--------

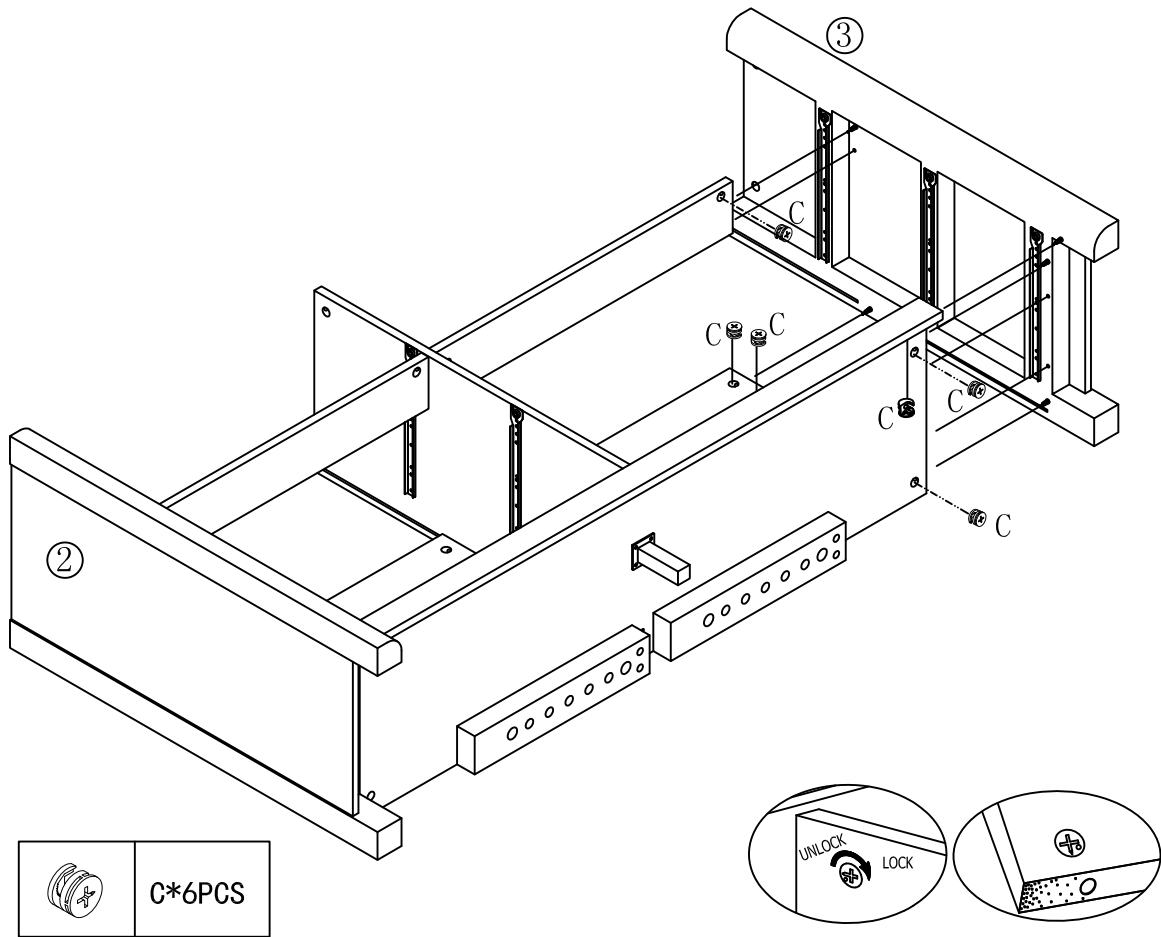
STEP 13



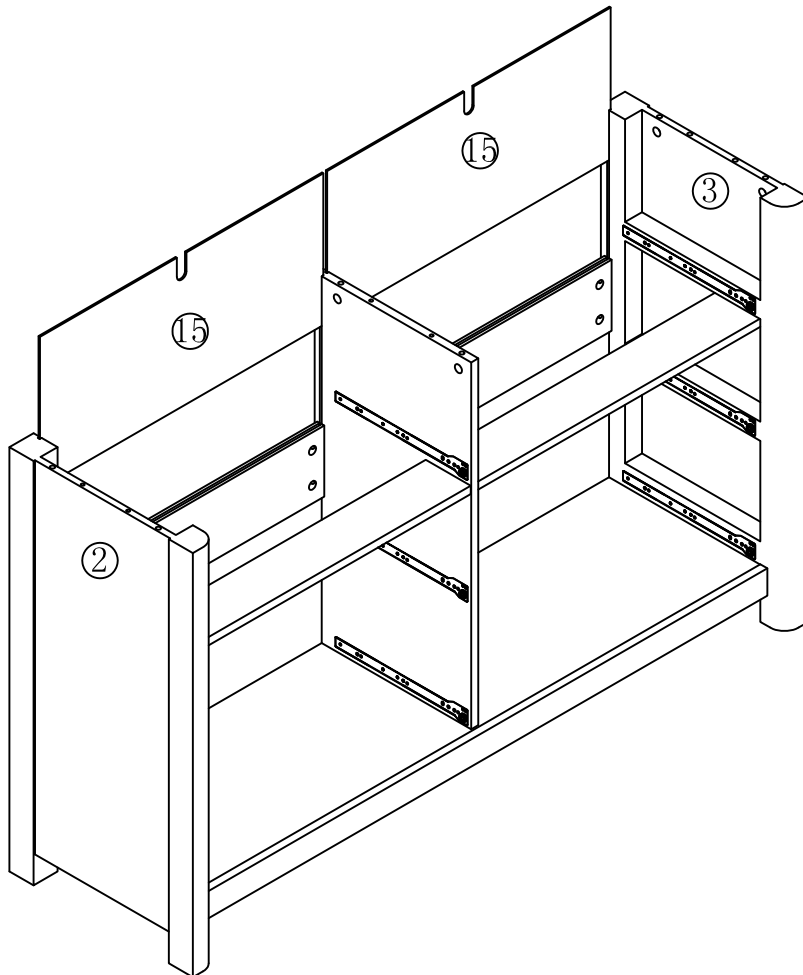
STEP 14



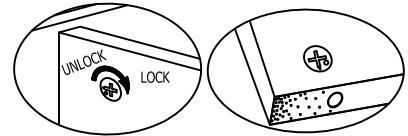
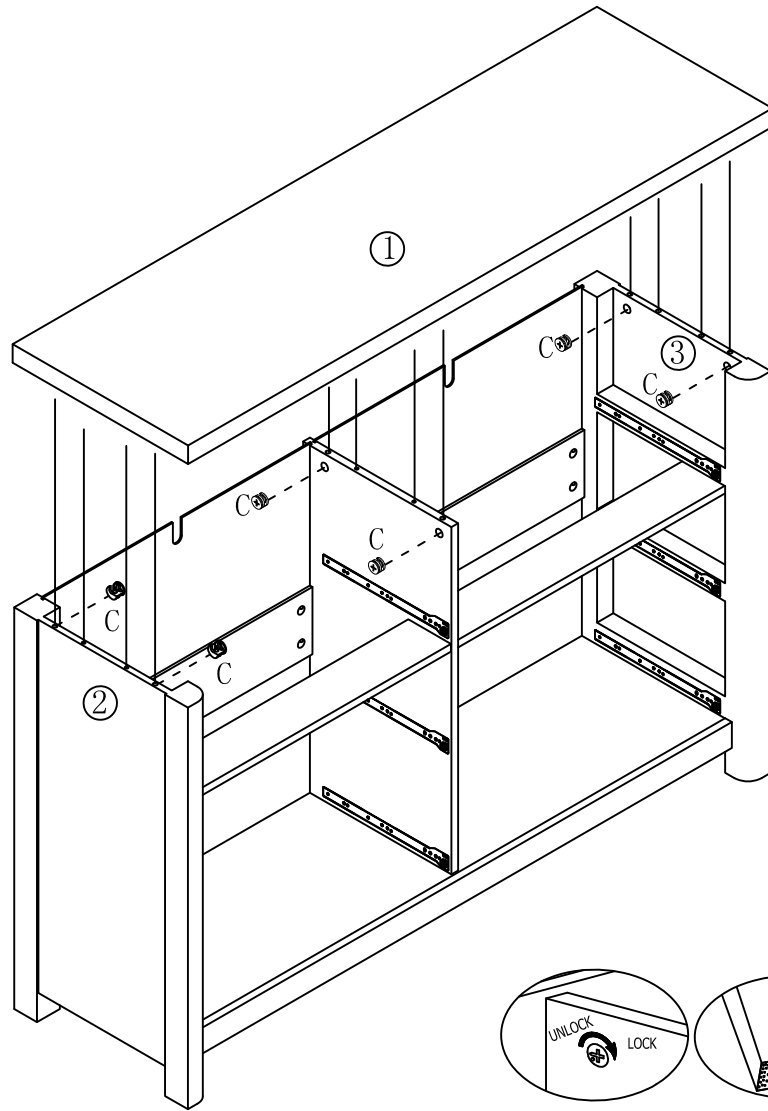
STEP 15



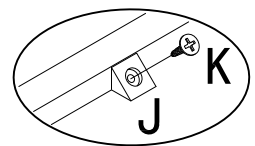
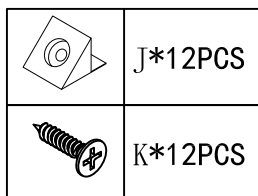
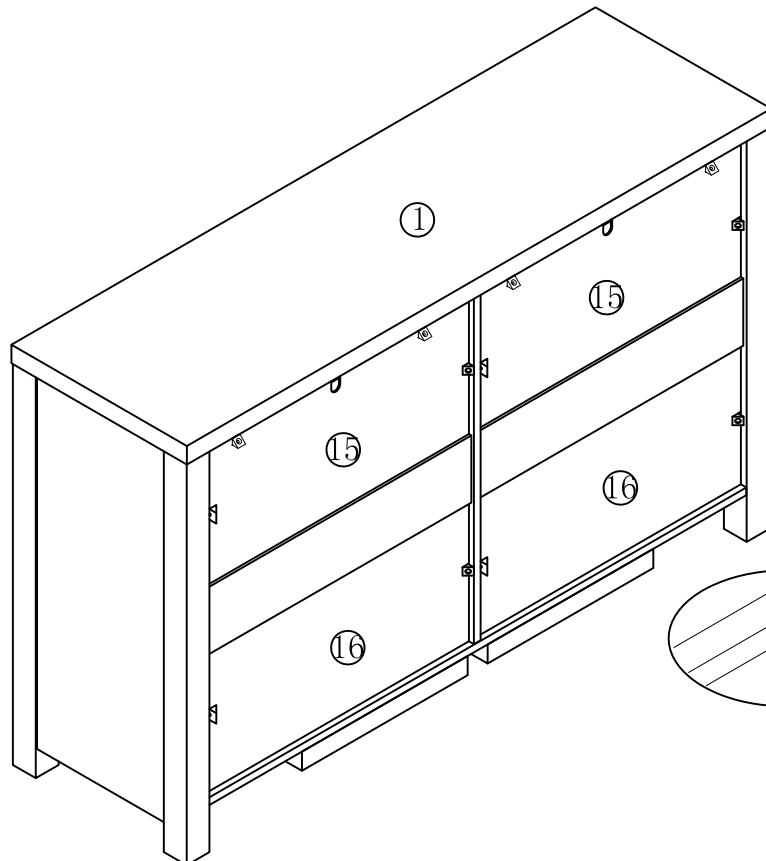
STEP 16



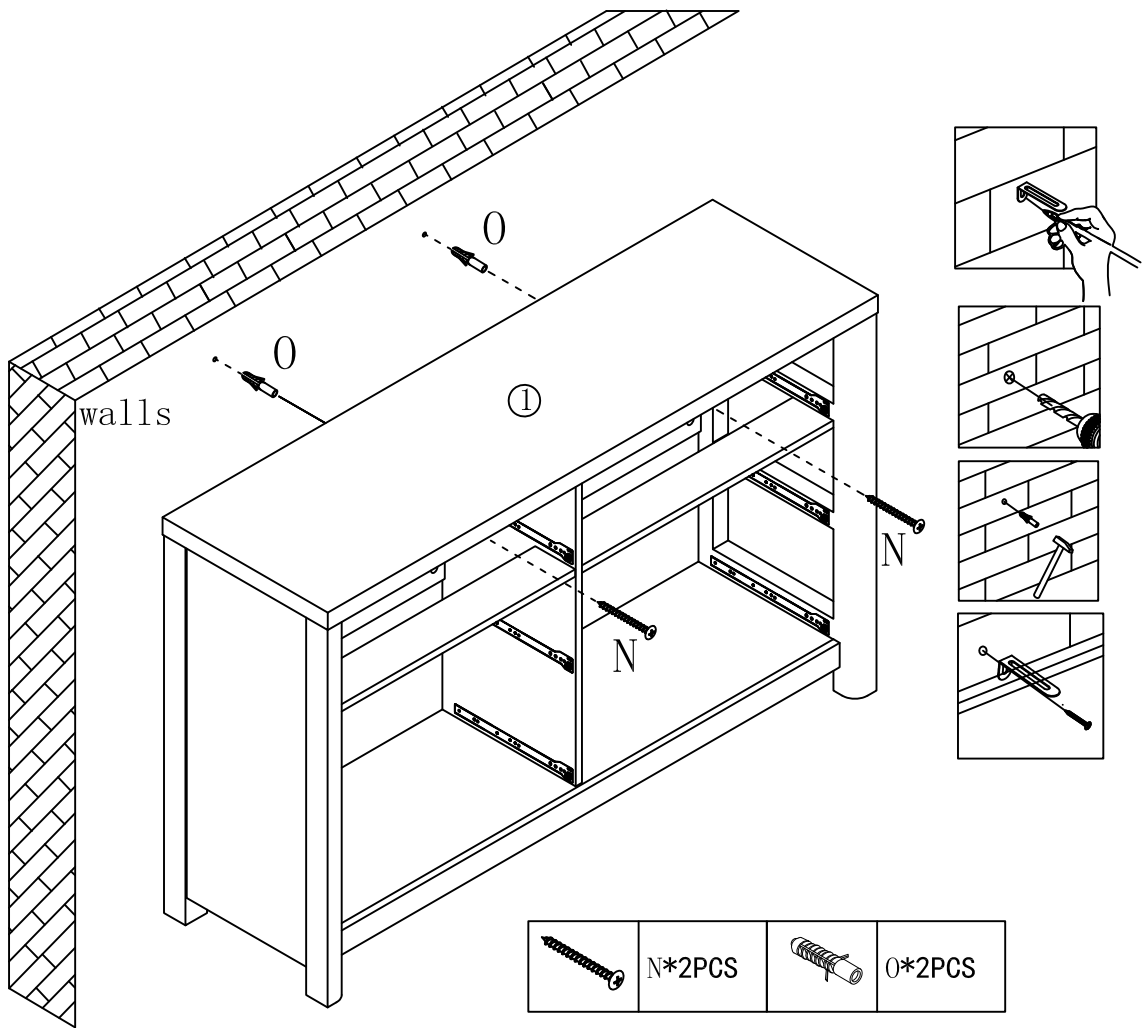
STEP 17




STEP 18

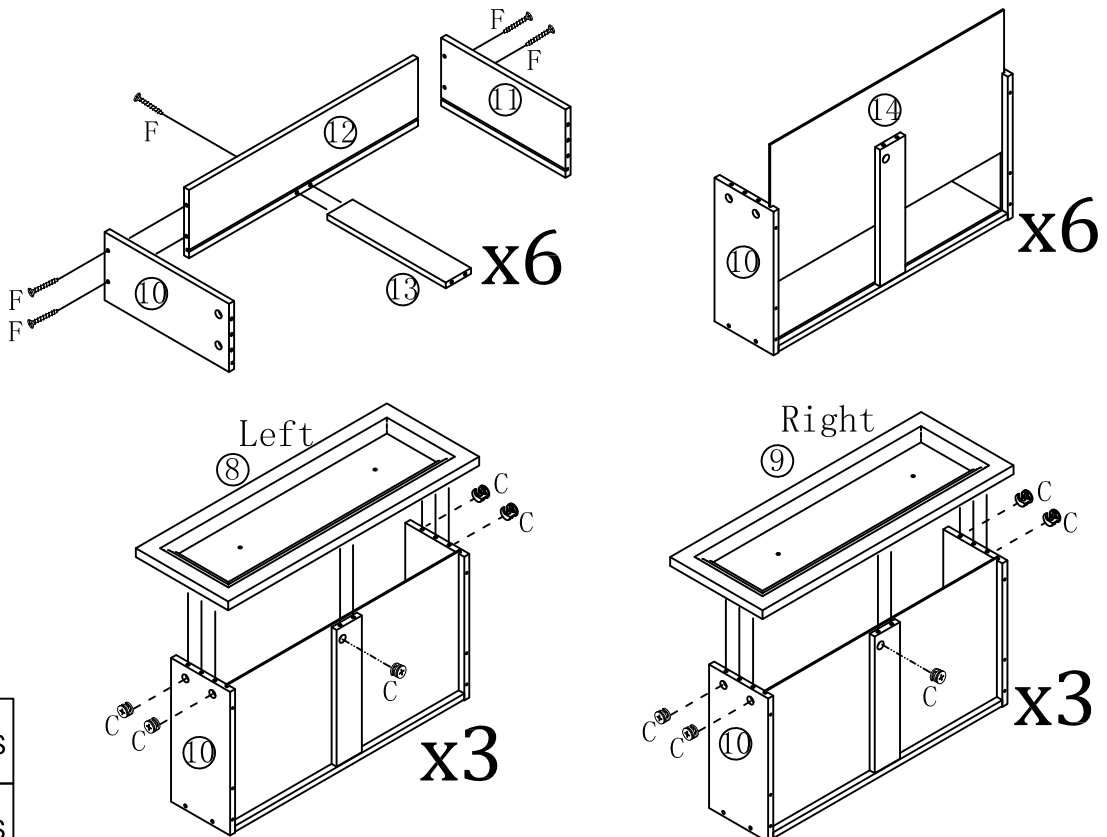




STEP 19



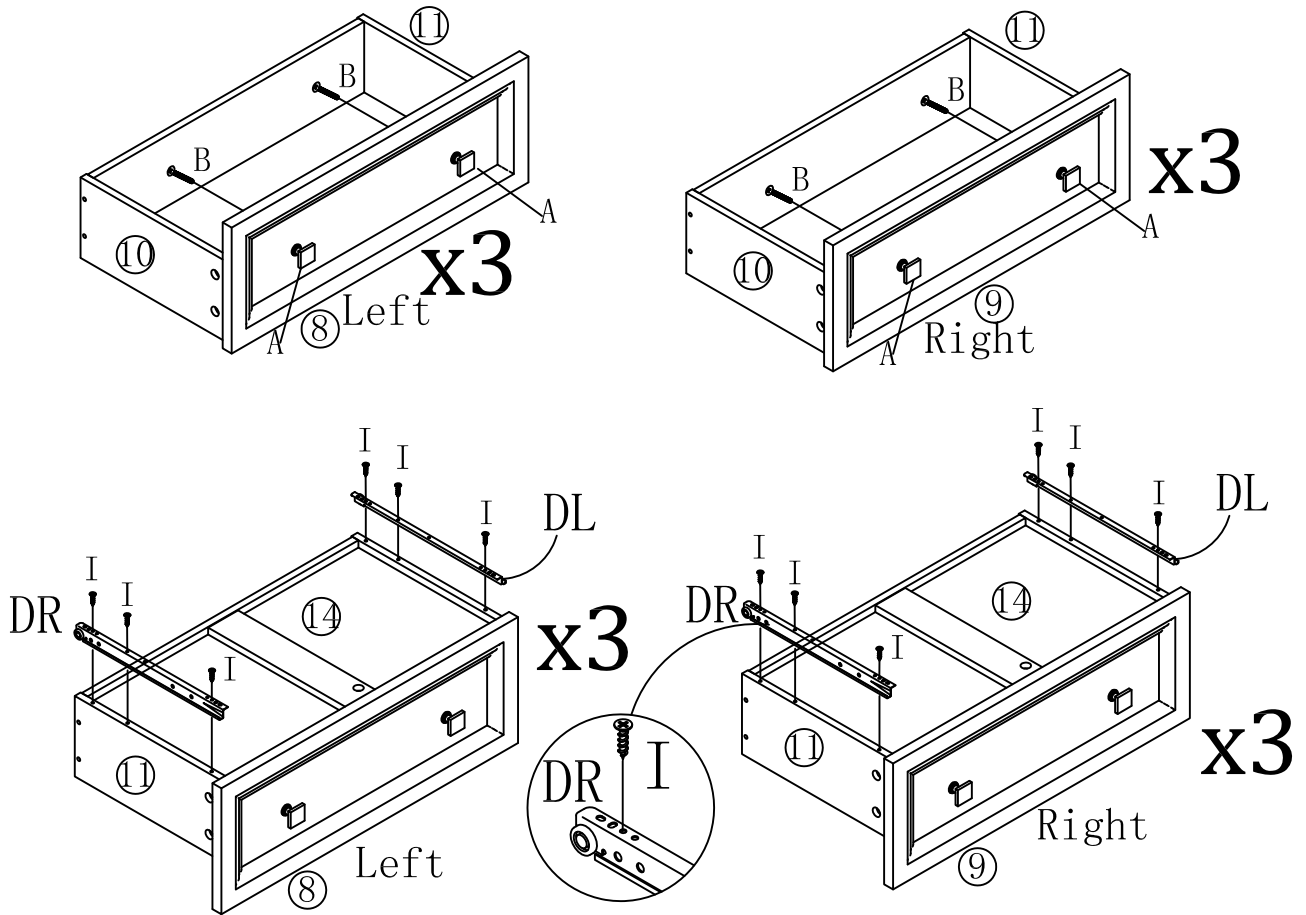
	N*2PCS		O*2PCS
---	--------	---	--------

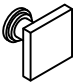


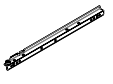
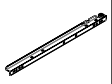
STEP 20



	C*30PCS
	F*30PCS

STEP 21



	A*12PCS		B*12PCS		I*36PCS		DL*6PCS		DR*6PCS
---	---------	---	---------	---	---------	--	---------	---	---------

STEP 22

