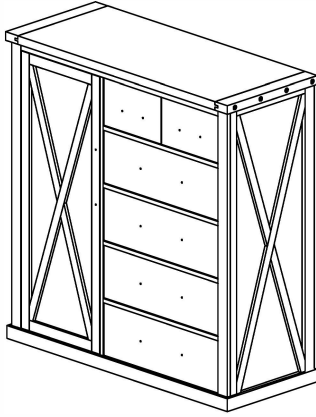


GENTLEMAN CHEST ASSEMBLY INSTRUCTIONS

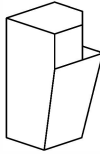
A. CHEST 1PC



CHEST ASSEMBLED





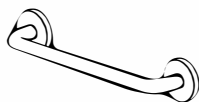


B. LEGS 4PCS



C. SUPPORT LEG 1PC

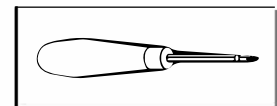


HARDWARE ARE PACKED IN BOX

1	ALLEN BOLT M6 x 50 MM	04 PCS	2	WASHER M6/19	04 PCS	3	HANDLE U256	01 PCS	4	BOLT (M4 x 40 MM)	02 PCS	5	ALLEN KEY N4	01 PC
														

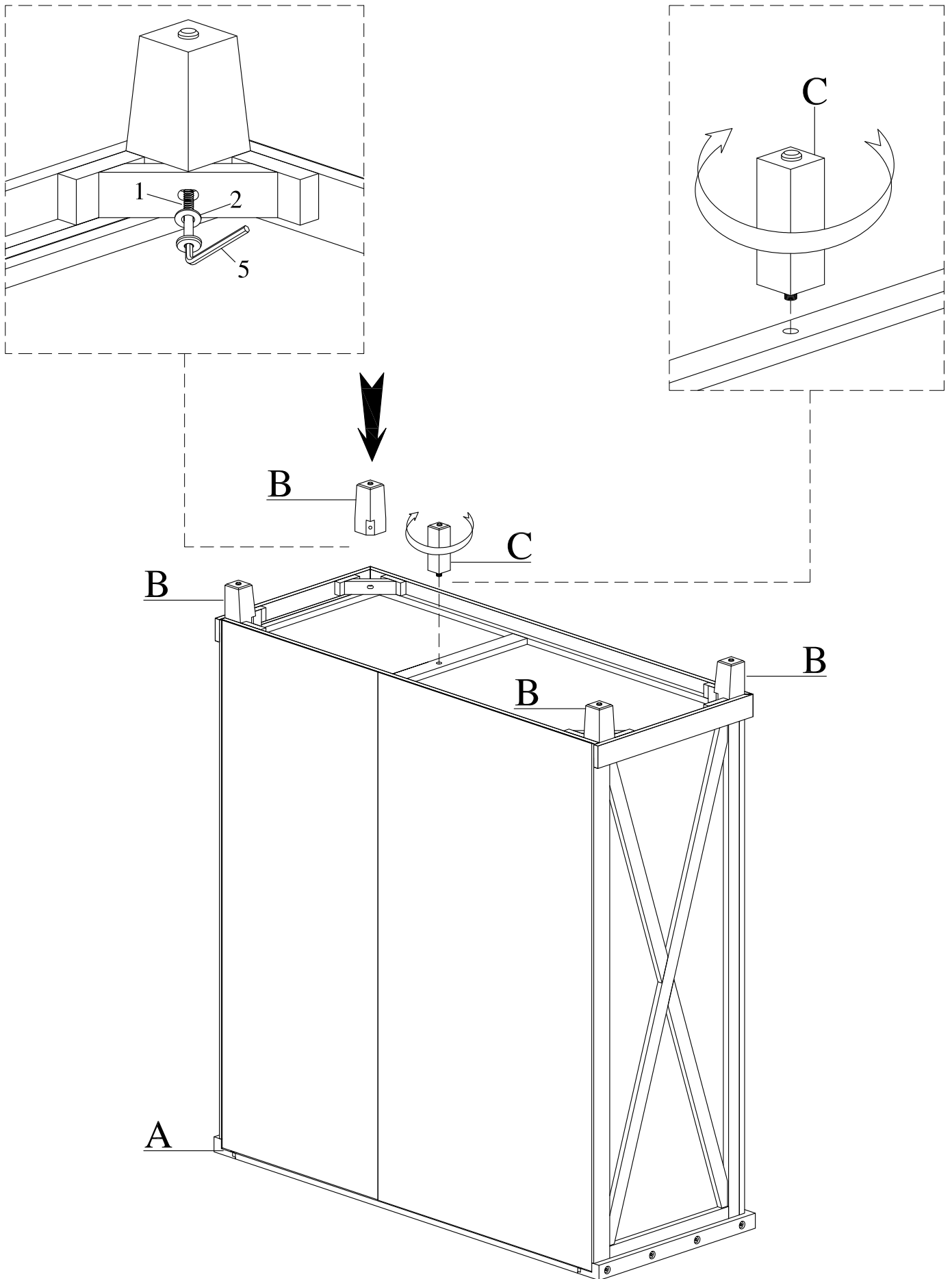
TOOL REQUIRED

PHILLIPS HEAD SCREW
DRIVER NOT PROVIDED



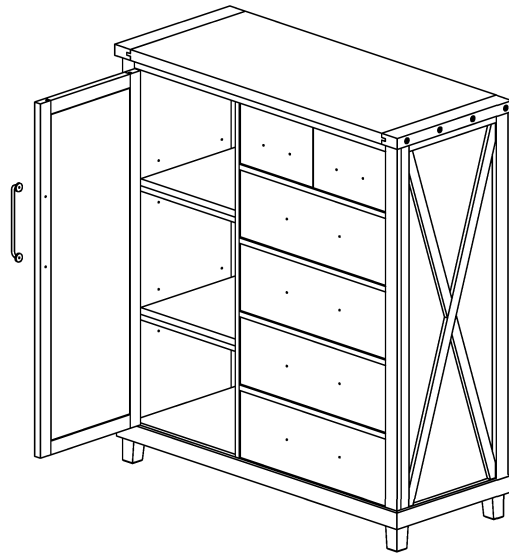
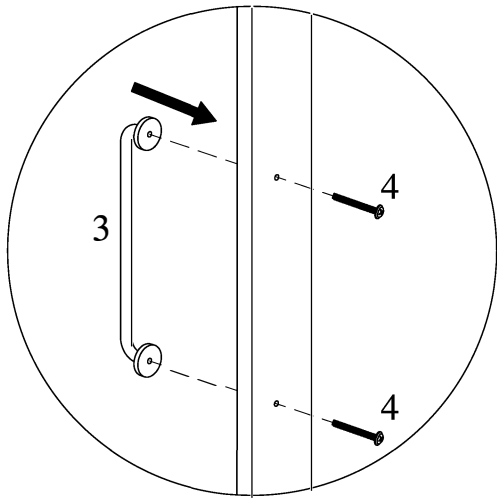
STEP 1:

Fasten the legs (B), support leg (C) to the gentleman chest (A), with bolts (1) and washers (2).



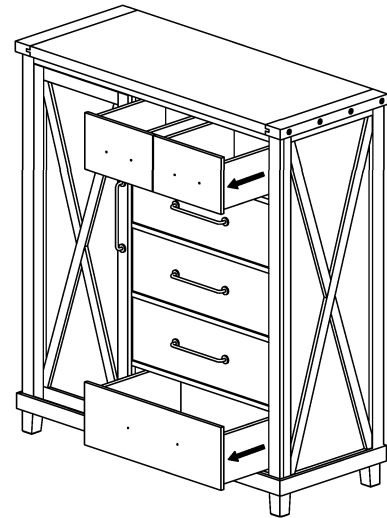
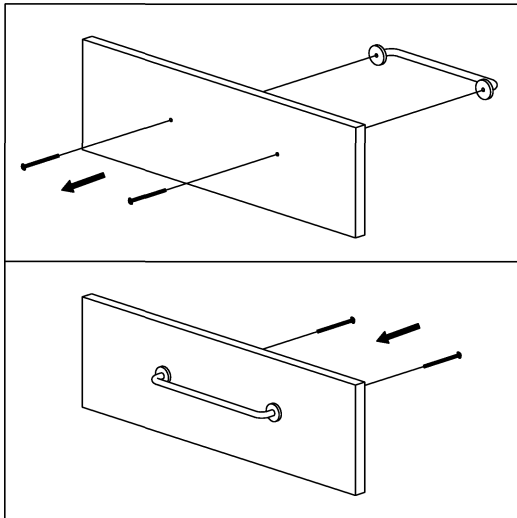
STEP 2:

Open the door and assemble handle (3) with bolts (4).



STEP 3:

Pull out drawers and throw out the handle. Assemble handle.



STEP 4:

ASSEMBLY COMPLETE.

