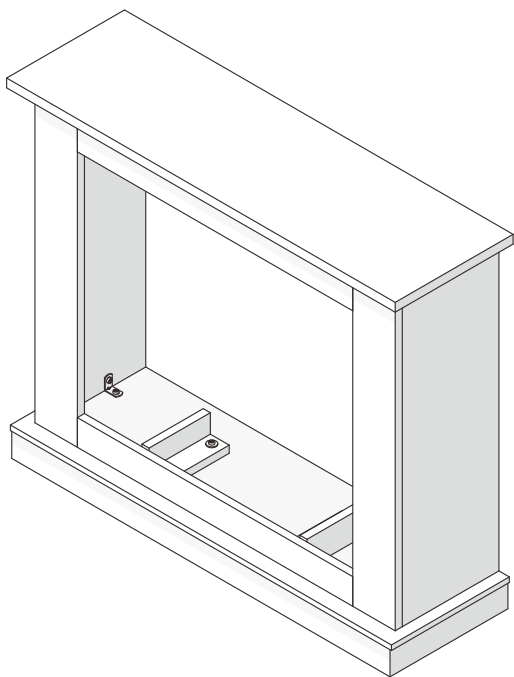
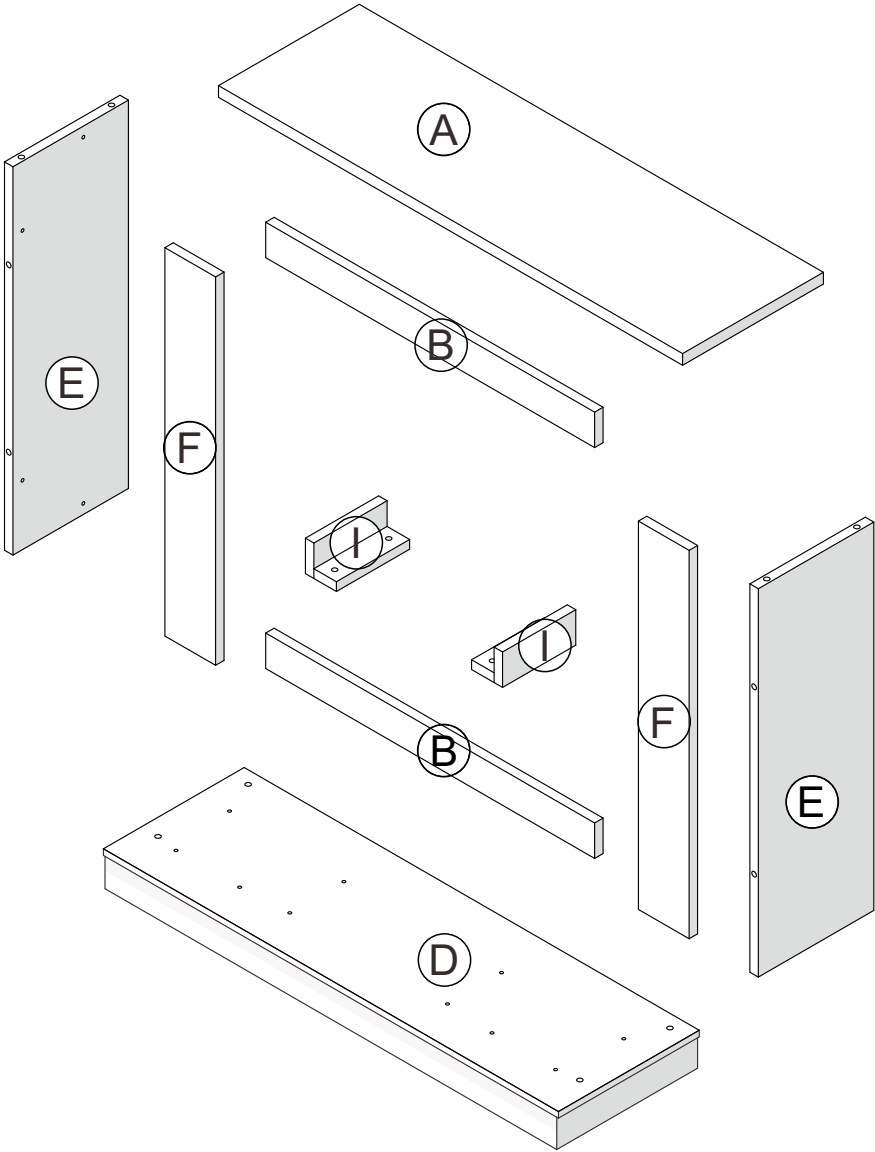


FIREPLACE MANTEL

ASSEMBLY INSTRUCTIONS



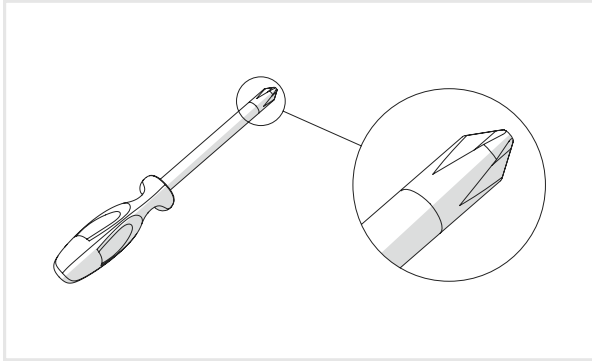
PARTS LIST


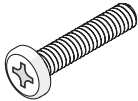
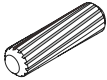

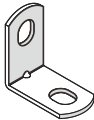
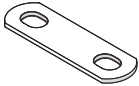



PARTS AND ACCESSORIES

Tools required:

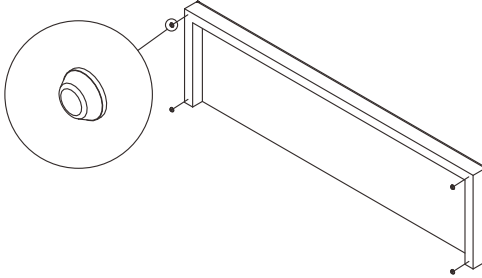
A screwdriver will be needed.



 41x M6x12mm	 5x M6x28mm	 13x ø 8x30mm
 5x	 17x	 5x
 6x		

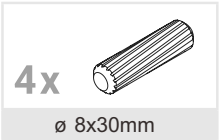
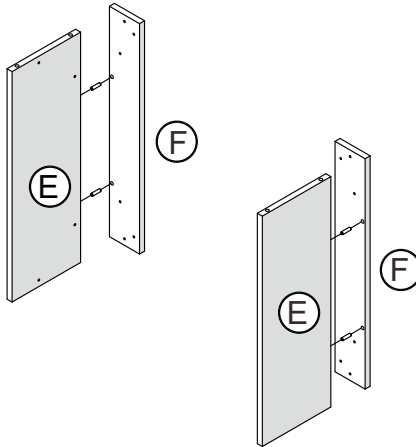
ASSEMBLY INSTRUCTIONS

01



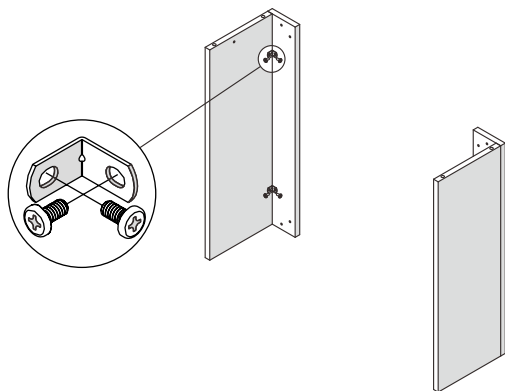
Carry out this assembly step on both sides

02



Carry out this assembly step on both sides

03



8 x



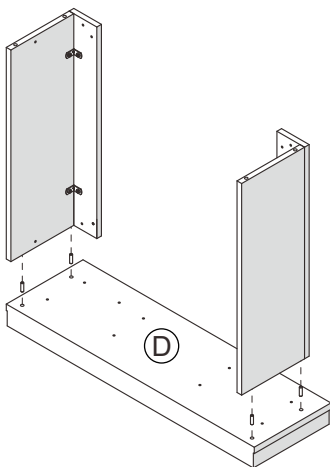
M6x12mm

4 x

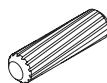


Carry out this assembly step on both sides

04



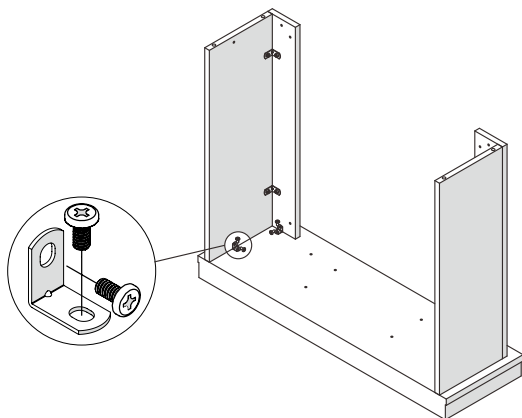
4 x



ø 8x30mm

Carry out this assembly step on both sides

05



8x



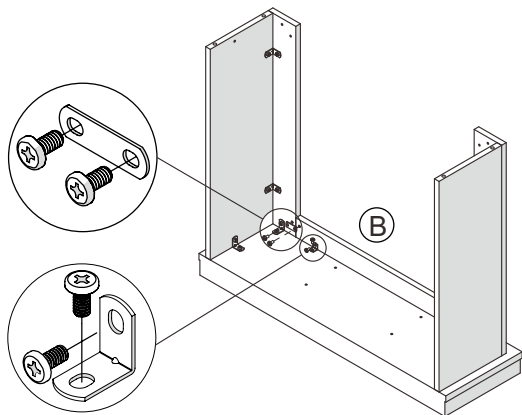
M6x12mm

4x



Carry out this assembly step on both sides

06



8x

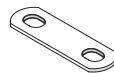


M6x12mm

2x

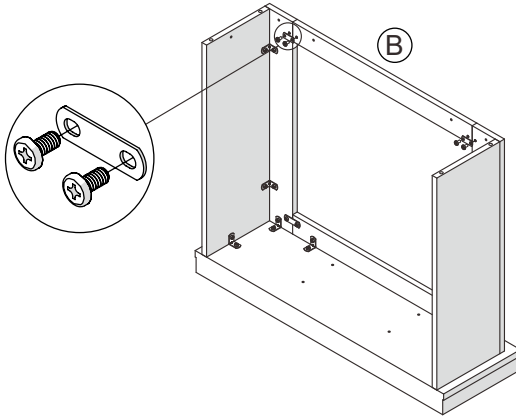


2x



Carry out this assembly step on both sides

07

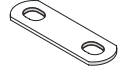


4x



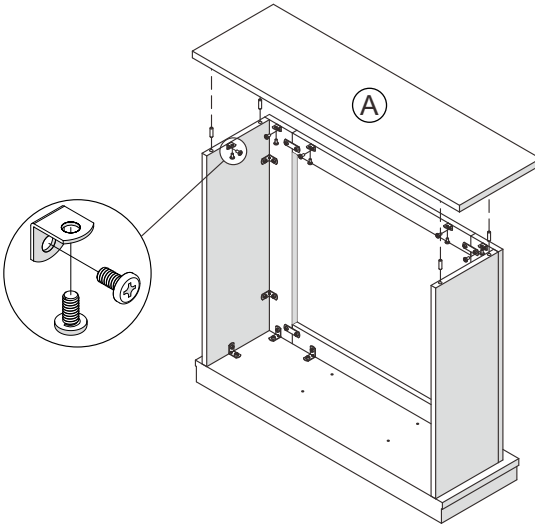
M6x12mm

2x



Carry out this assembly step on both sides

08



12x



M6x12mm

6x



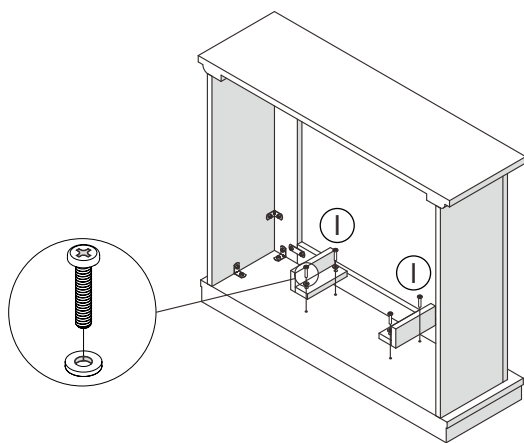
4x



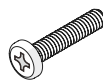
ø 8x30mm

Carry out this assembly step on both sides

09



4x



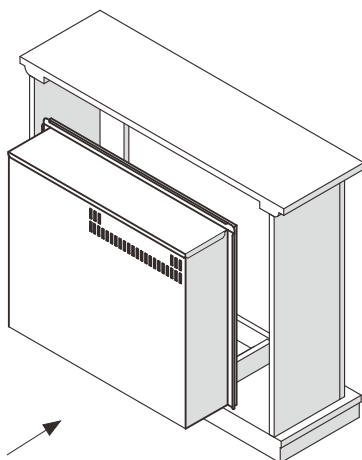
M6x28mm

4x



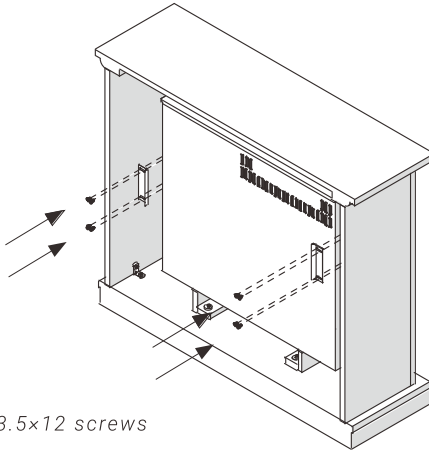
Carry out this assembly step on both sides

10



Rear side of the mantel

11



Use 8 pcs ST3.5x12 screws