




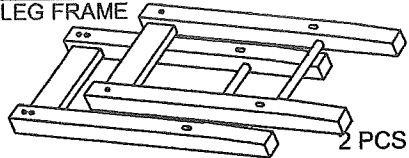
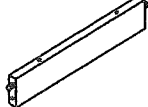

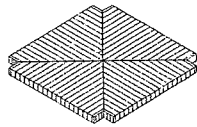


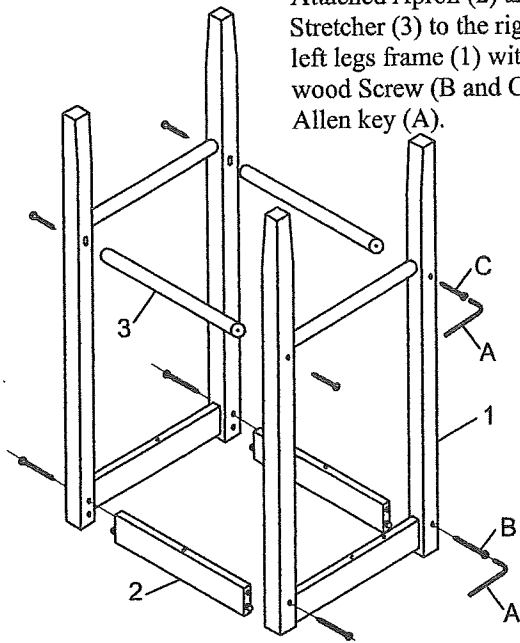
ASSEMBLY INSTRUCTION

1. Please make sure you have all parts before beginning assembly.
2. Please wait until all steps are completed before tightening all screws.
3. A Phillips screwdriver (not included in the hardware bag) is also necessary for assembly.

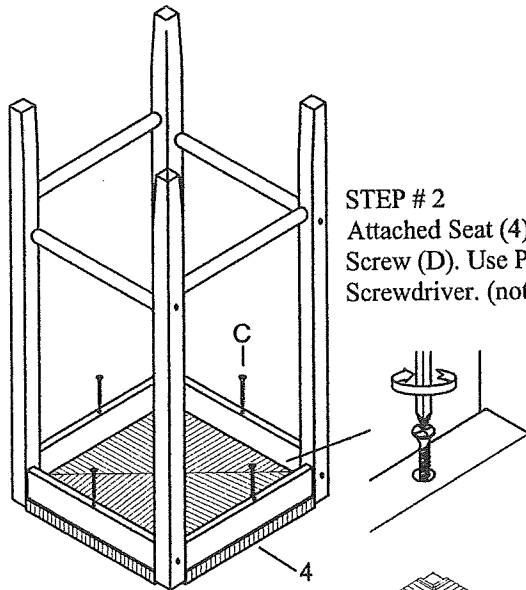
LIST OF HARDWARE (for 1 set)			
A	ALLEN KEY		1 PC
B	JCBC (W) SCREW (LONG)		4 PCS
C	JCBC (W) SCREW (SHORT)		4 PCS
D	CSK SCREW		4 PCS
E	WOOD BUTTON		8 PCS

LIST OF PART (for 1 set)		
1	LEG FRAME	 2 PCS
2	APRON	 2 PCS
3	STRETCHER	 2 PCS
4	SEAT	 1 PC

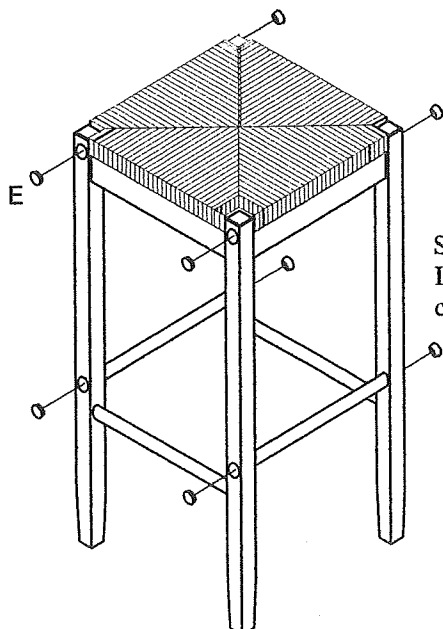
STEP # 1
Attached Apron (2) and Stretcher (3) to the right, and left legs frame (1) with JCBC wood Screw (B and C). Use Allen key (A).



STEP # 2
Attached Seat (4) with CSK Screw (D). Use Phillips Screwdriver. (not included)



STEP # 3
Insert a Wood Button (E) to cover all of the screw holes.



FULLY SETUP

