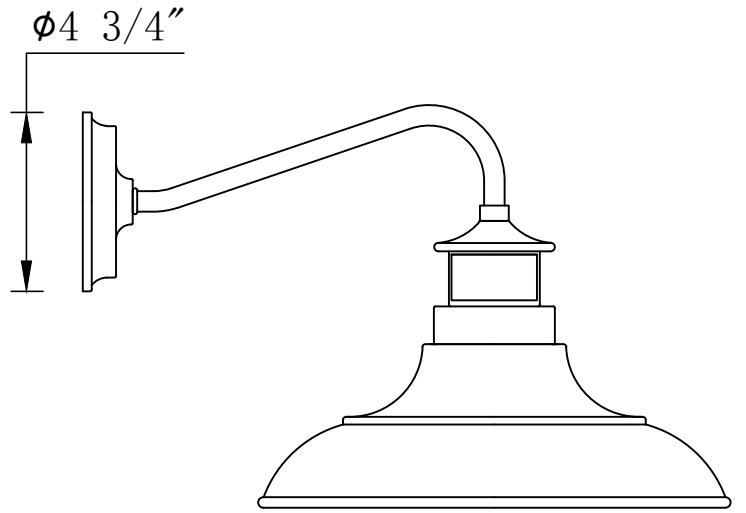


12 1/4"

FRONT VIEW

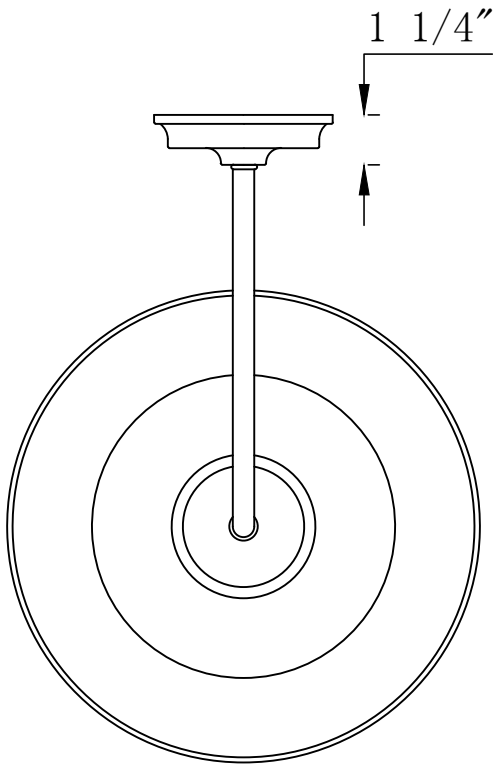
10 1/2"



$\phi 4 \frac{3}{4}$ "

16 3/4"

SIDE VIEW



1 1/4"

TOP VIEW