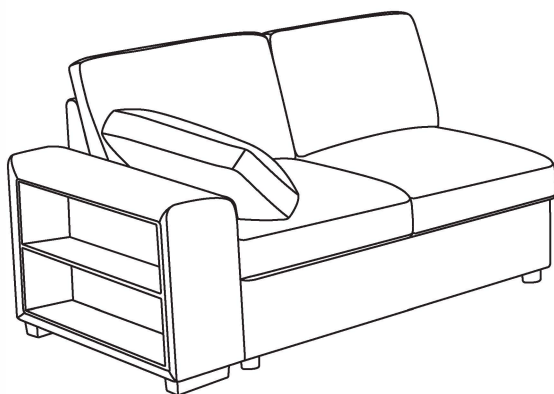
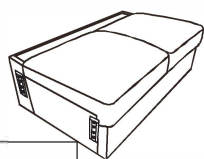


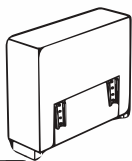
ASSEMBLY INSTRUCTION



PARTS LIST



A X1



B X1



C X1



D X2



E X1

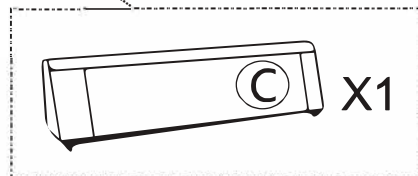
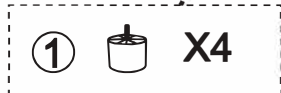
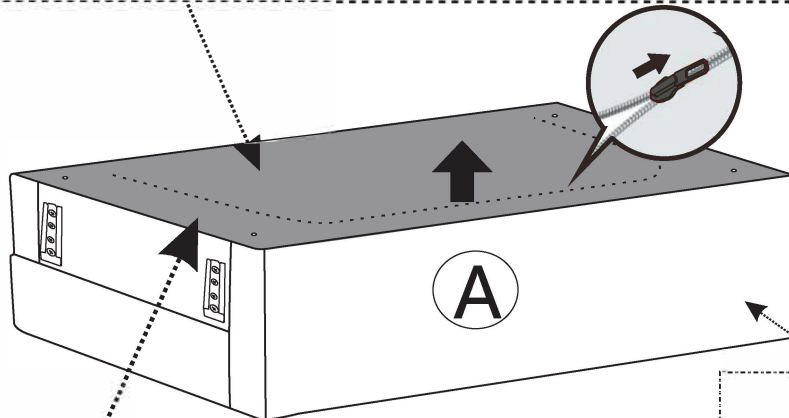
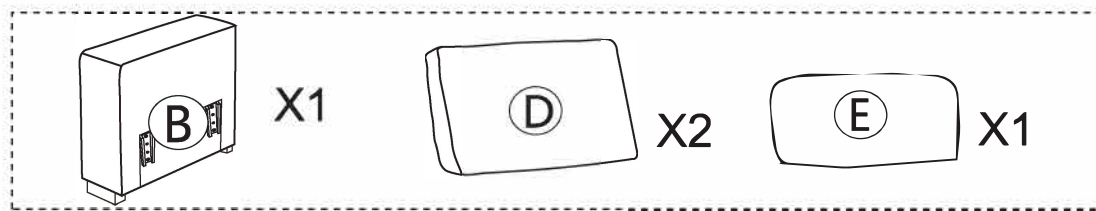
HARDWARE LIST



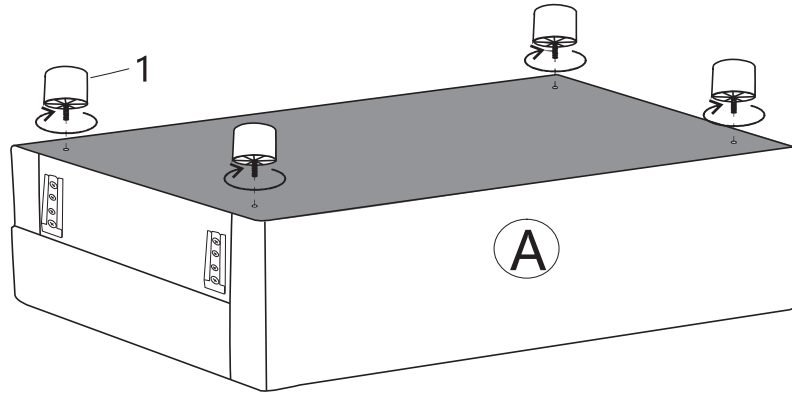
1 X4

BOX-1

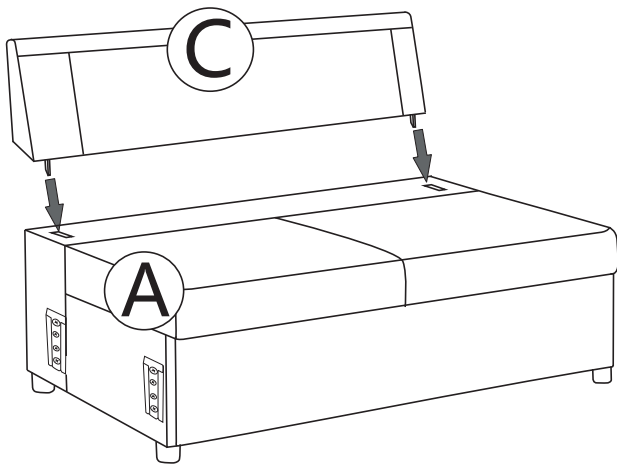
The backrest cushions and storage armrests are hidden inside the bottom frame. Please open the bottom fabric cover to remove them.



Step1 Install the sofa legs

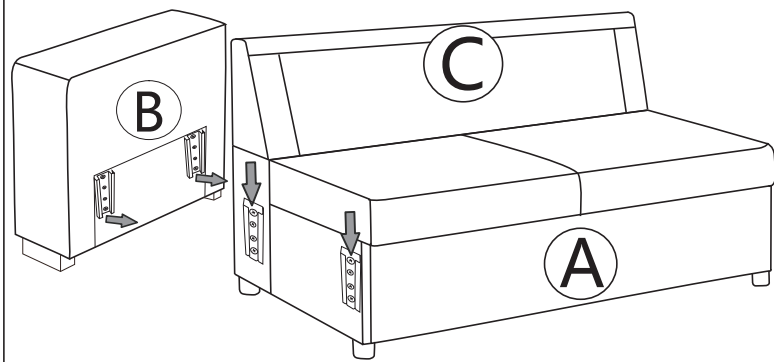


Step2 Install the Backrest

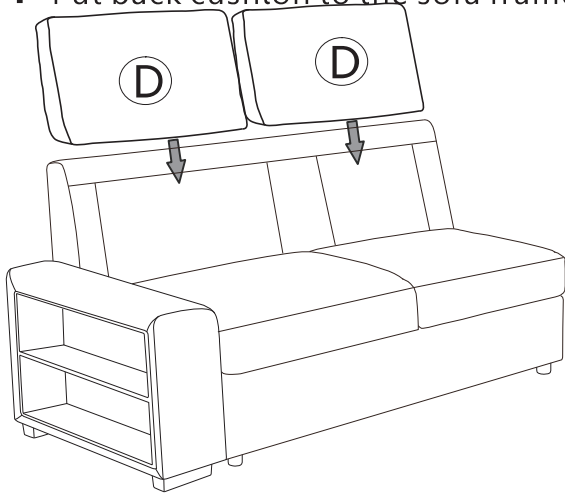


Step3

Connect the Arm to the Sofa

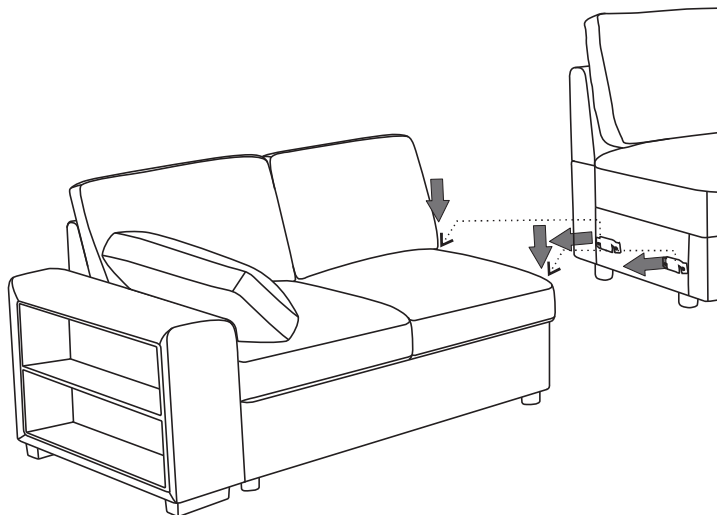
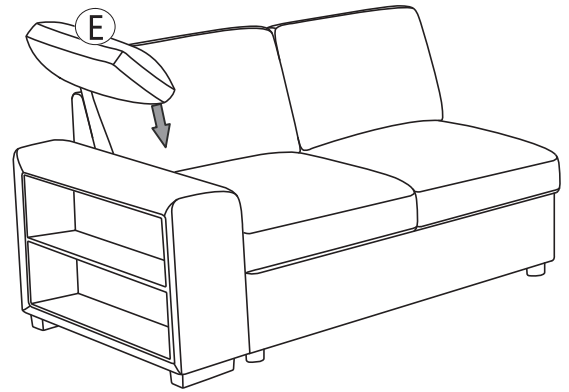


Step4 Put back cushion to the sofa frame

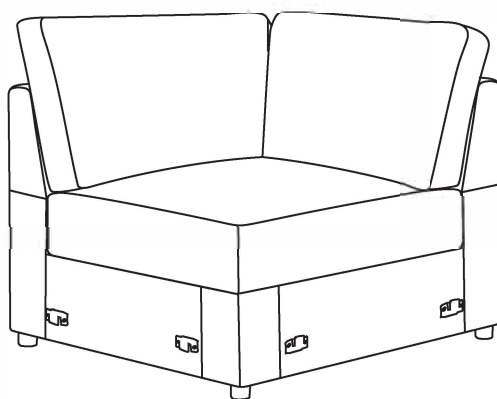


Step5

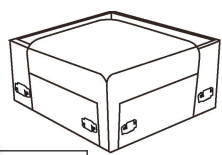
Place the pillow in the correct position



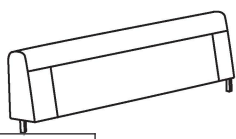
ASSEMBLY INSTRUCTION



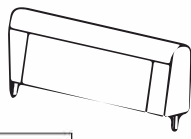
PARTS LIST



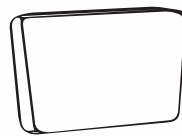
A X1



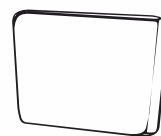
B X1



C X1



D X1



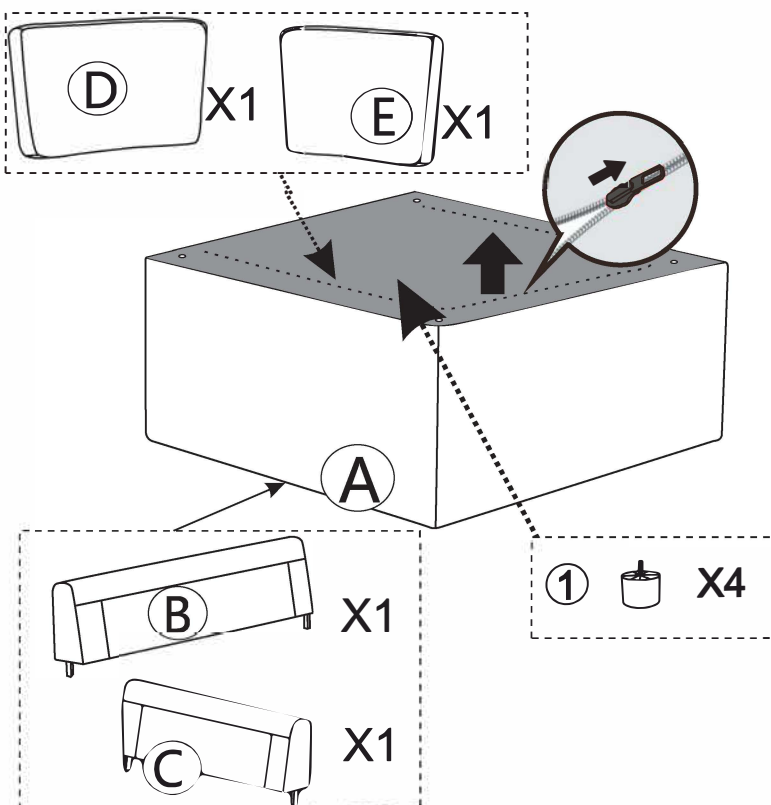
E X1

HARDWARE LIST



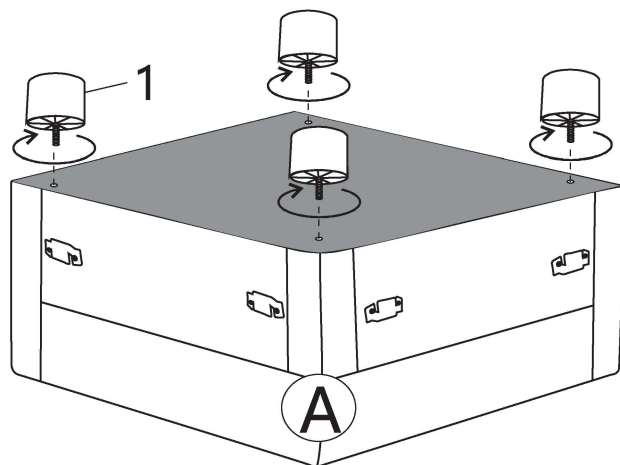
1 X4

The backrest cushion is hidden inside the bottom frame. Please open the bottom fabric cover to remove it

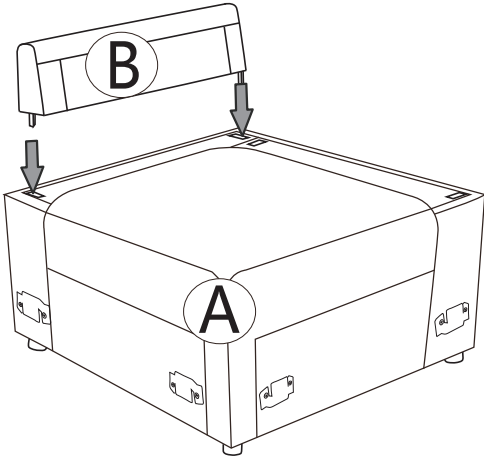


Step1

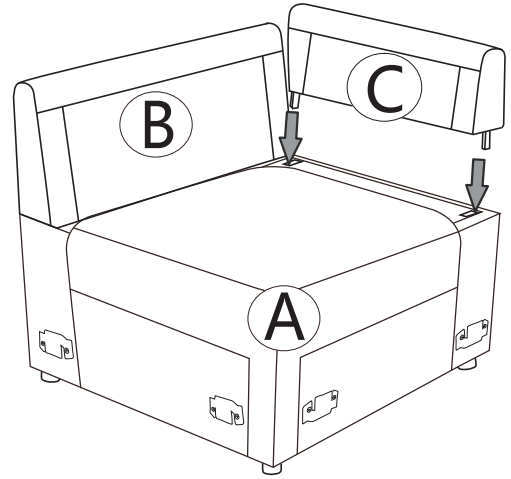
Install the sofa legs



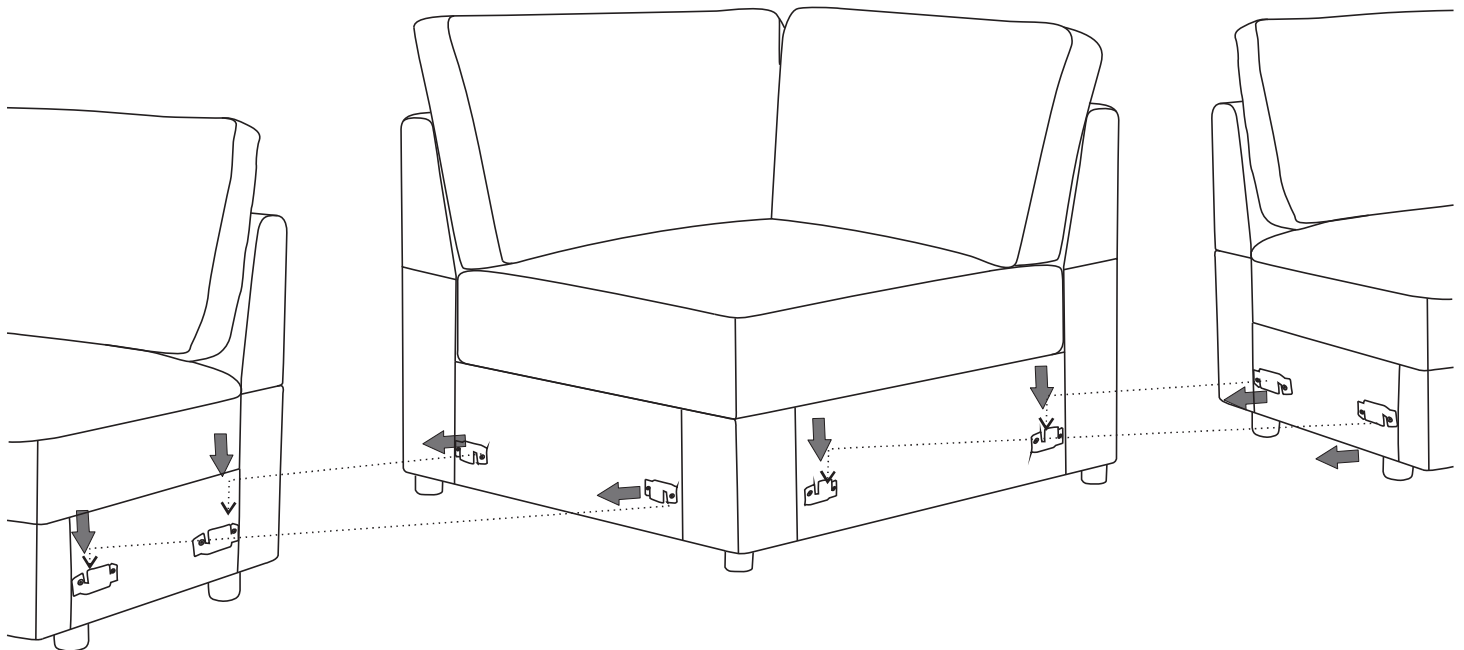
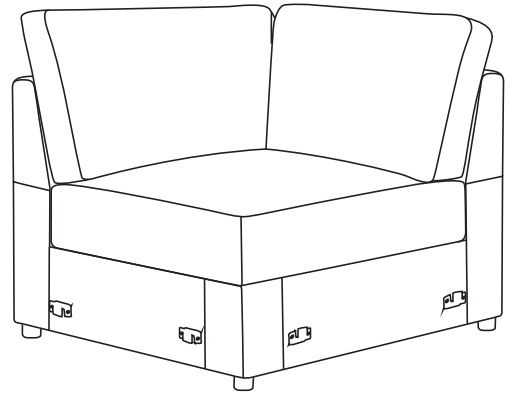
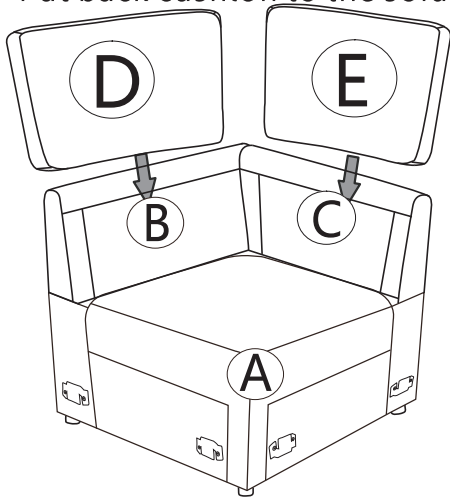
Step2 Install the Backrest



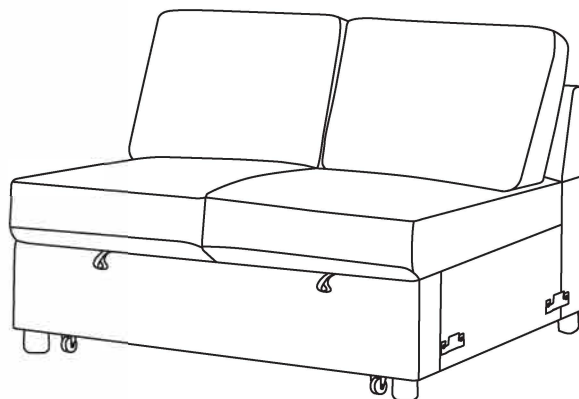
Step3 Install the Backrest



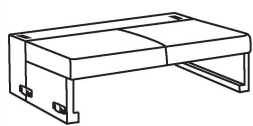
Step4 Put back cushion to the sofa frame



ASSEMBLY INSTRUCTION

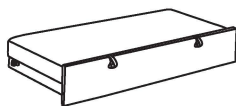


PARTS LIST



A

X1



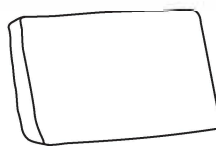
B

X1



C

X1



D

X2

HARDWARE LIST



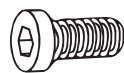
1

X4



2

X4



M6X25

3

X8



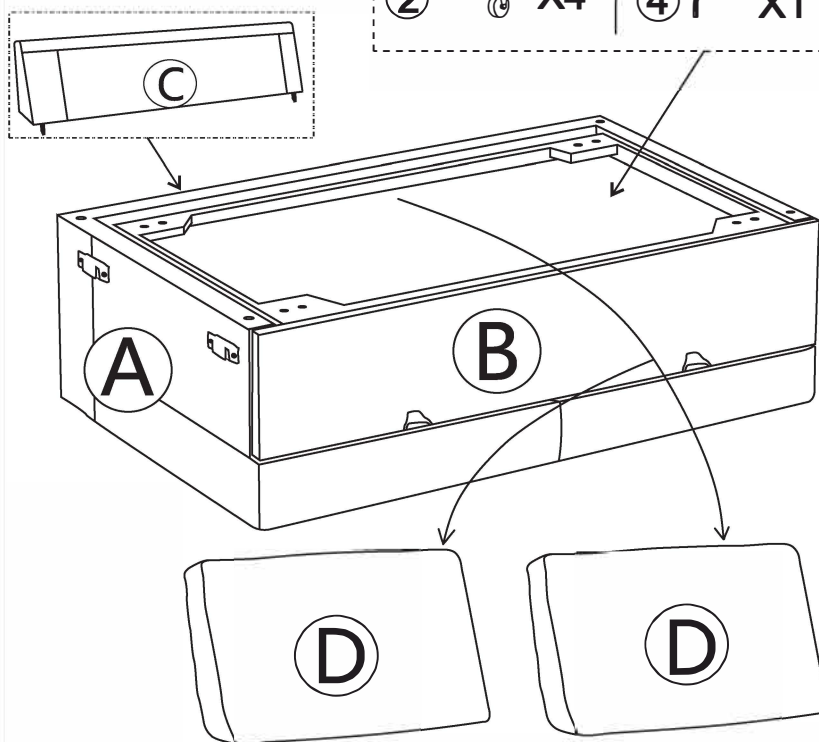
4

M4

X1

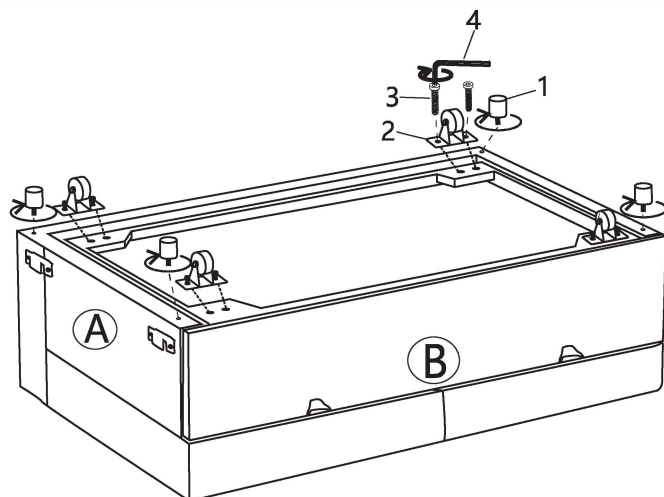
These components are stored inside the bottom frame

- | | | | | | |
|---|--|----|---|--|----|
| ① | | X4 | ③ | | X8 |
| ② | | X4 | ④ | | X1 |

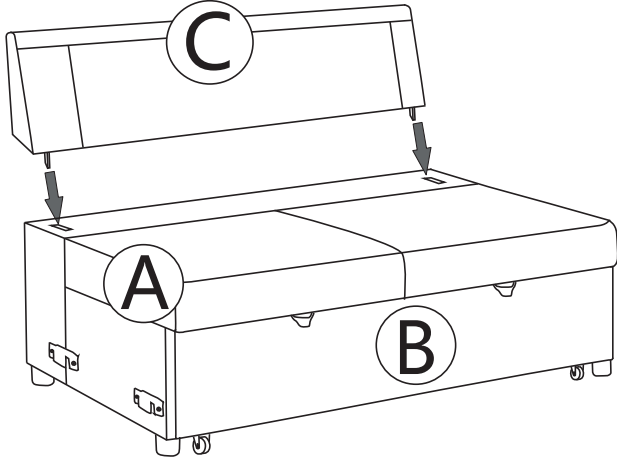


Step1

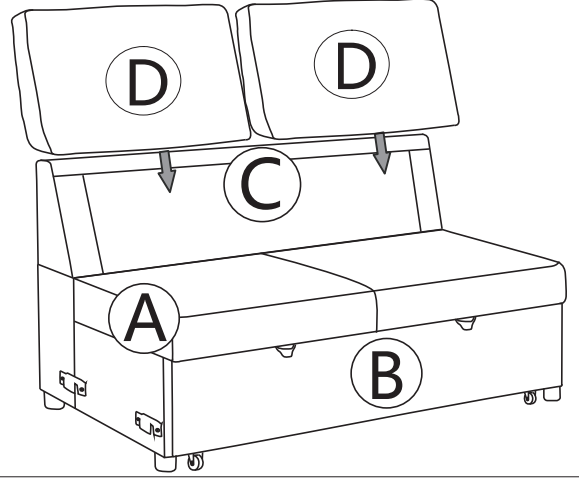
Attach the Legs



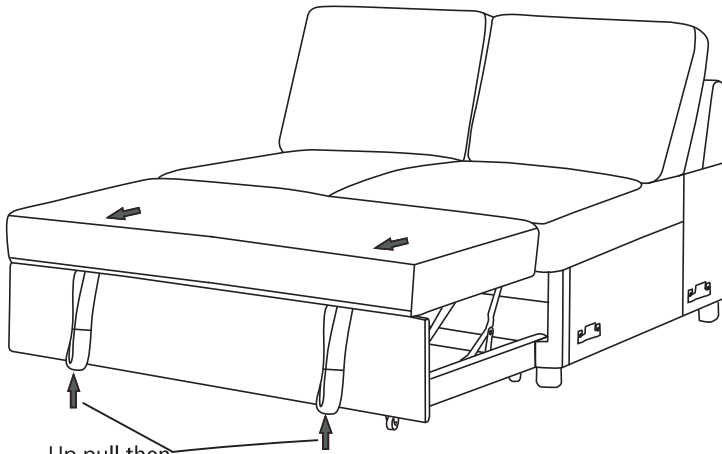
Step2 Install the Backrest



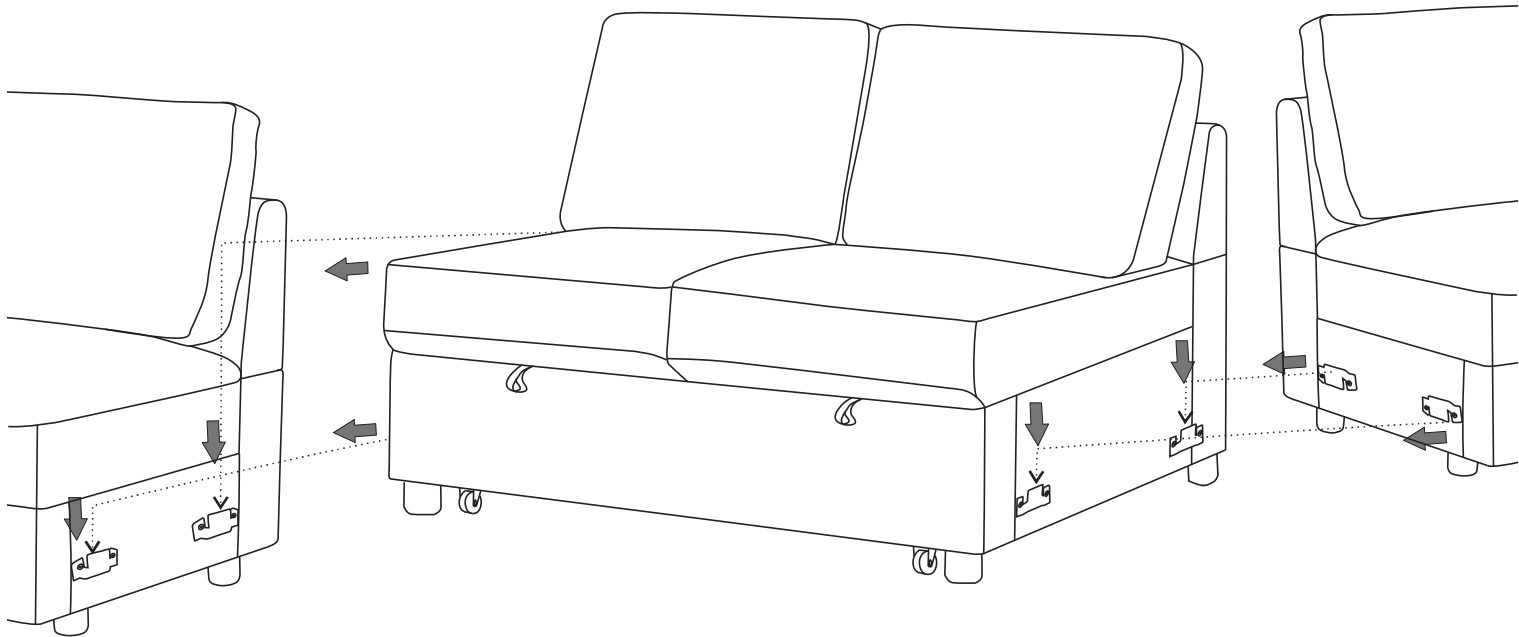
Step3 Put back cushion to the sofa frame



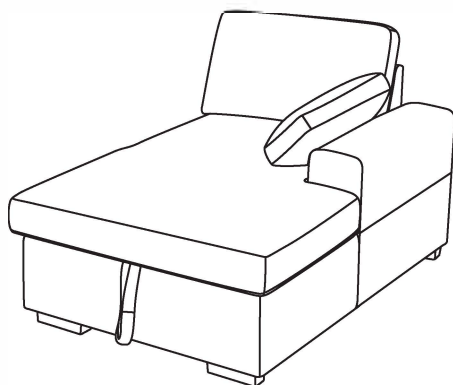
Step4



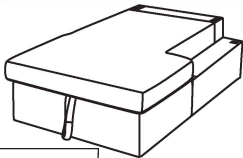
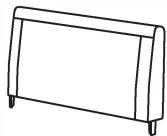
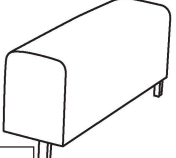

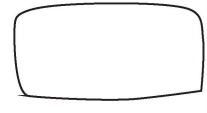
Up pull then
Forward pumping



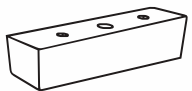
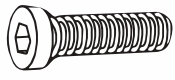



ASSEMBLY INSTRUCTION



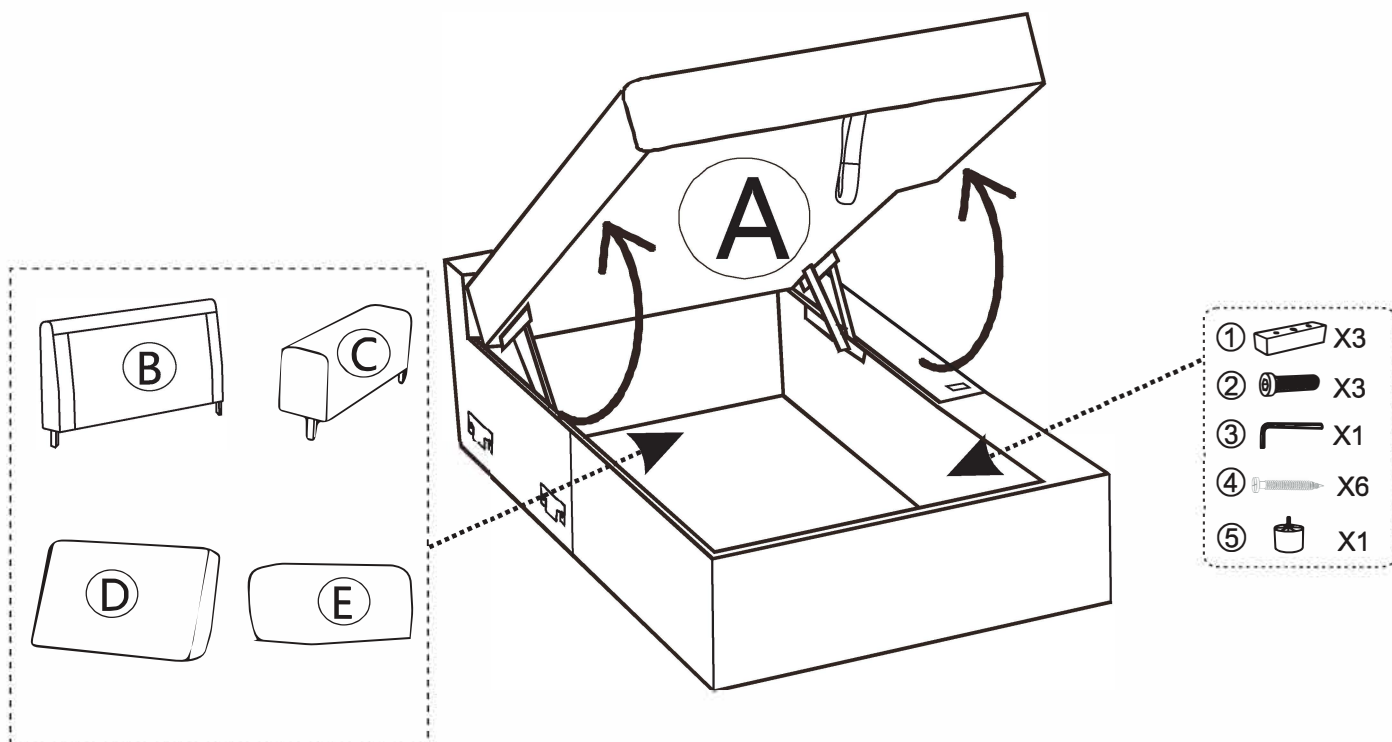
PARTS LIST

									
A	X1	B	X1	C	X1	D	X1	E	X1

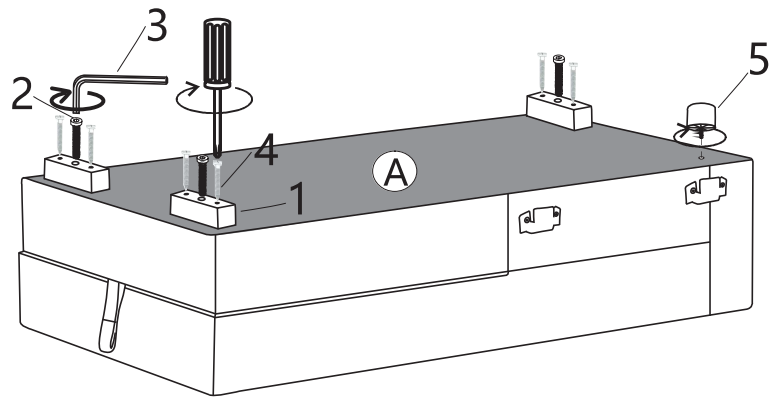
HARDWARE LIST

									
150x60x50mm	M8X60	M5	M5X50						
1	X3	2	X3	3	X1	4	X6	5	X1

These components are stored inside the bottom frame

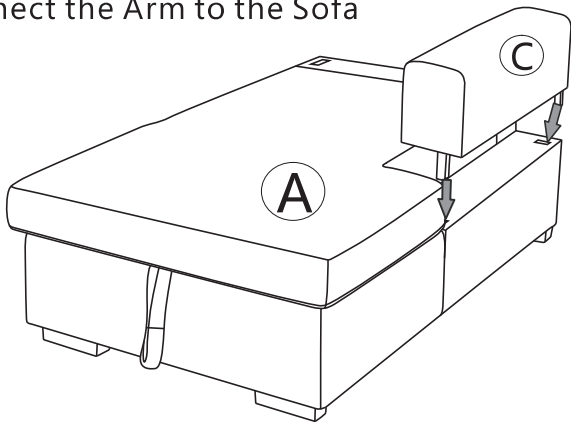


Step1 Attach the Legs



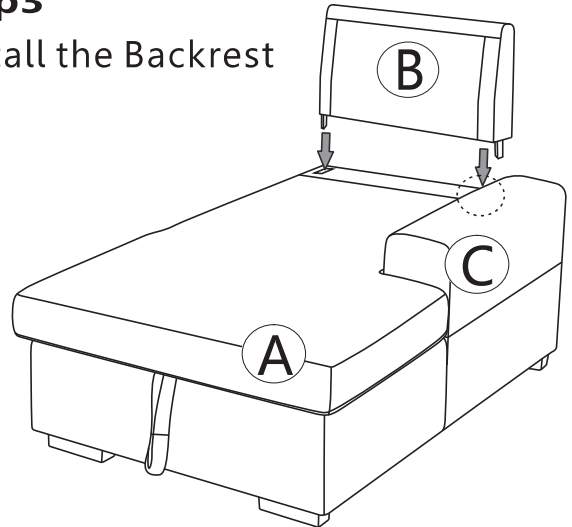
Step2

Connect the Arm to the Sofa

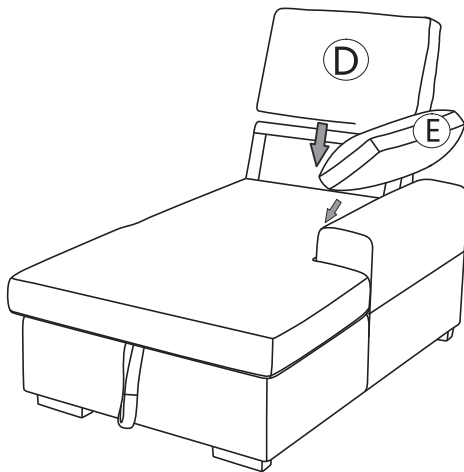


Step3

Install the Backrest



Step4 Put cushion to the sofa frame



Step5

Up pull open

