

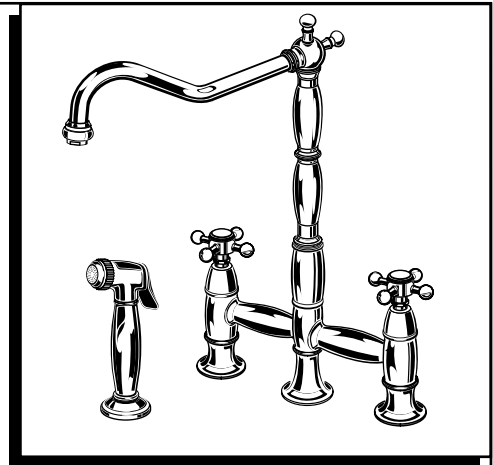
American Standard

Culinaire™

TOP MOUNT BRIDGE KITCHEN FAUCETS

Installation Instructions

4233.701
4233.711
4233.721



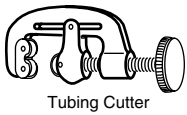
Certified to comply with ASME A112.18.1M

M968250A

Thank you for selecting American-Standard...the benchmark of fine quality for over 100 years.

To ensure that your installation proceeds smoothly—please read these instructions carefully before you begin.

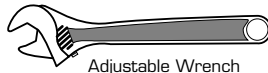
TOOLS REQUIRED



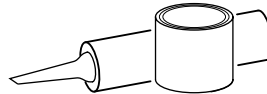
Tubing Cutter



Channel Locks



Adjustable Wrench



Plumbers' Putty or Caulking

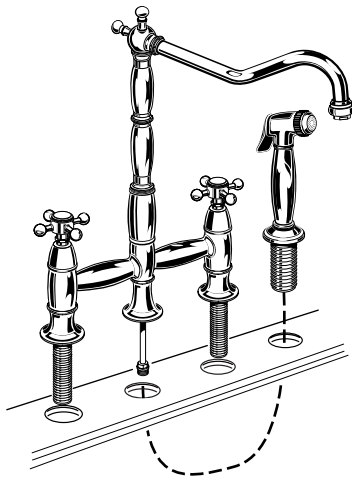


Flat Blade Screwdriver



Phillips Screwdriver

INSTALLATION OPTIONS

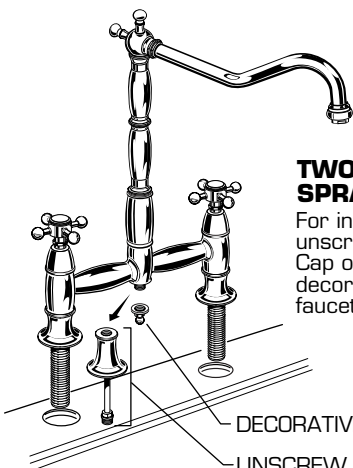
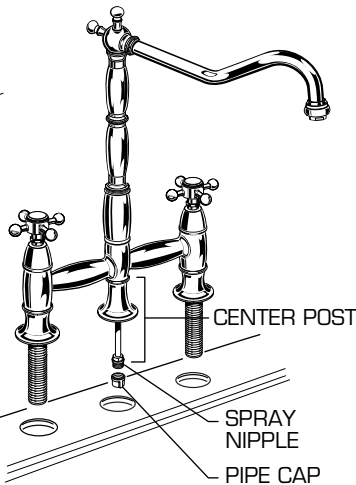


FOUR HOLE INSTALLATION WITH SPRAY

Typical four hole installation with spray

THREE HOLE INSTALLATION LESS SPRAY WITH CENTER POST

For installation less spray with center post, cap off spray nipple with pipe cap supplied with faucet.

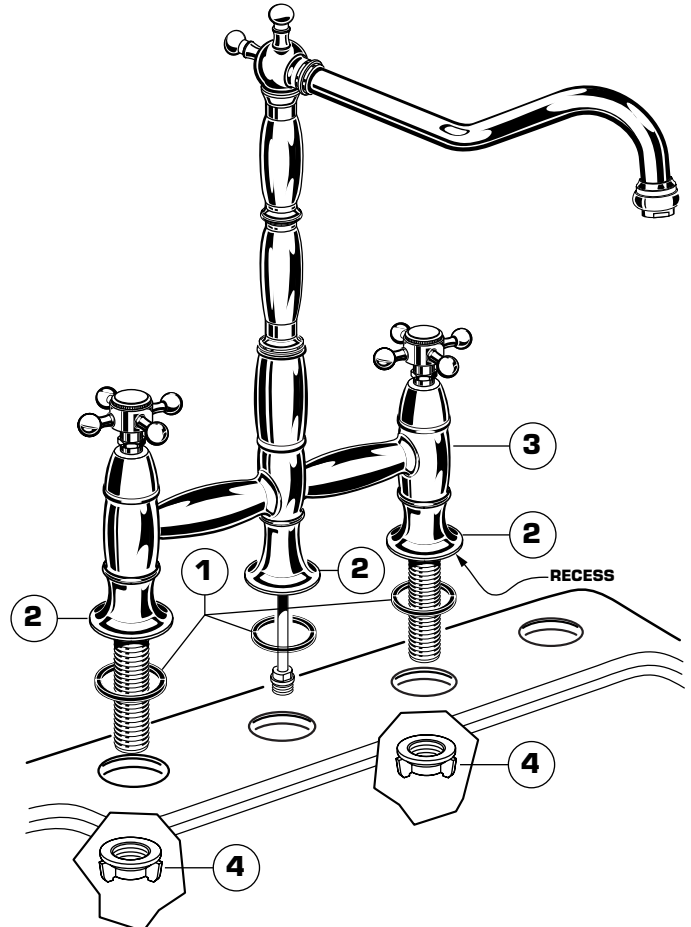


TWO HOLE INSTALLATION LESS SPRAY LESS CENTER POST

For installation less center post, unscrew center post from faucet. Cap off center post nipple with decorative pipe cap supplied with faucet.

1 INSTALL FAUCET **CAUTION** Turn off hot and cold water supplies before beginning.

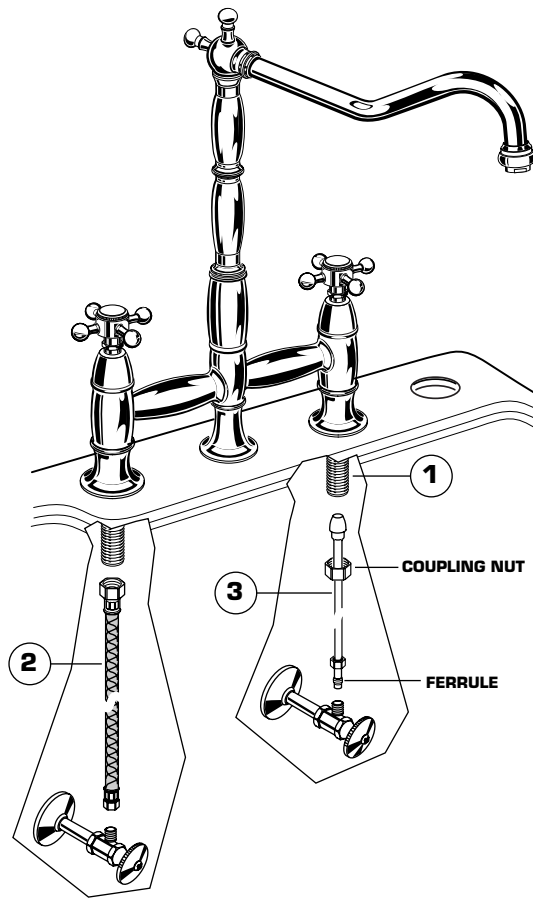
- Place the three RUBBER RINGS (1) into FAUCET ESCUTCHEON (2) recesses.
- Insert FAUCET (3) through holes in kitchen sink or countertop.
- From under sink thread LOCK NUTS (4) to secure FAUCET. Hand tighten only.



2 MAKE WATER SUPPLY CONNECTIONS

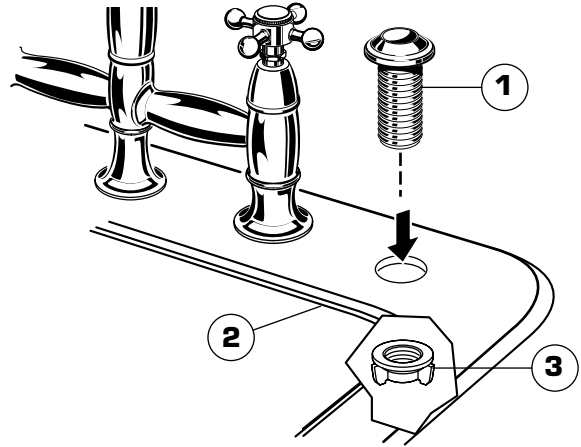
NOTE: FLEXIBLE SUPPLIES OR BULL-NOSE RISERS MUST BE PURCHASED SEPARATELY.

- Connect water supply to FAUCET (1) with 1/2" IPS FLEXIBLE SUPPLIES (2) or 3/8" O.D. BULL-NOSE RISERS (3).
- Use tubing cutter to cut to proper length.
- Use adjustable wrench to tighten connections. Do not over tighten. Be careful not to kink copper supply when bending.



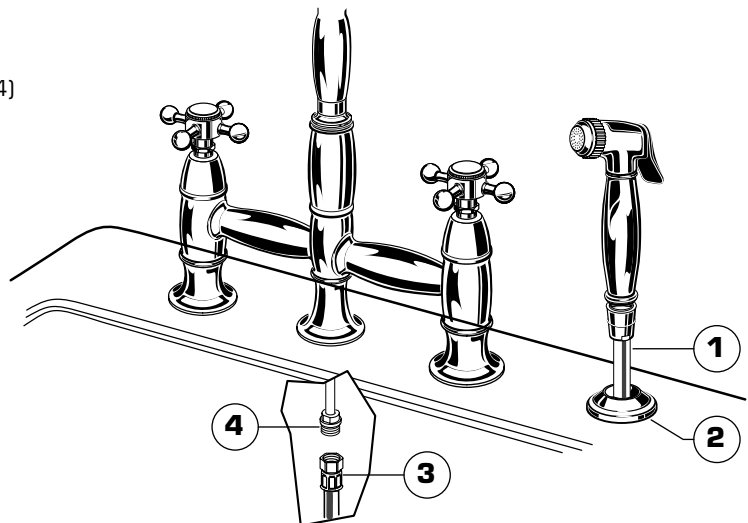
3 INSTALL SPRAY HOLDER

- Place SPRAY HOLDER (1) into separate hole of SINK (2) and assemble NUT (3) onto shank from underside of SINK (2).
- Hand tighten NUT (3).



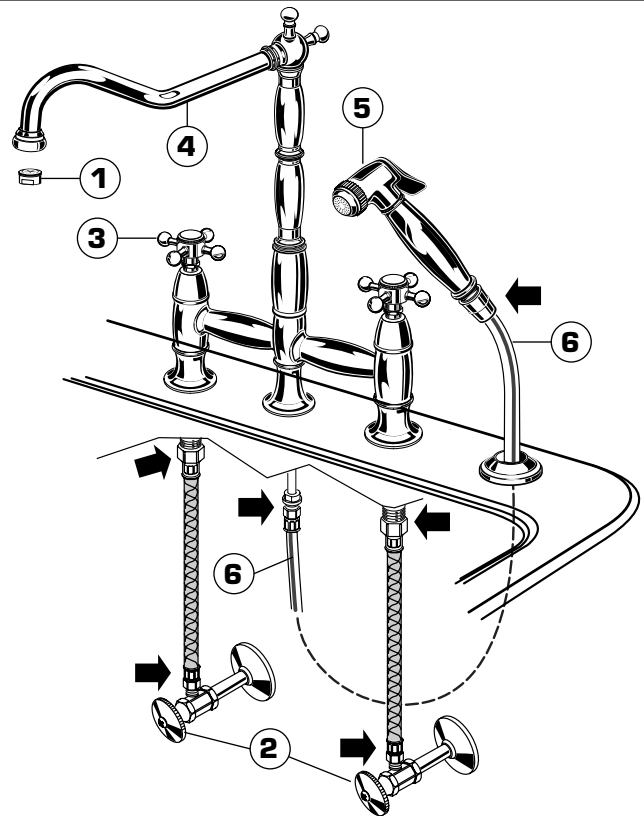
4 CONNECT SPRAY

- Feed SPRAY HOSE (1) through SPRAY HOLDER (2) and attach COUPLING NUT (3) of HOSE (1) to HOSE ADAPTOR (4) on valve body.
- Tighten COUPLING NUT (3) firmly.



5 TEST INSTALLED FAUCET

- Remove AERATOR (1). With handles in OFF position, turn on WATER SUPPLIES (2) and check all connections for leaks.
- Operate both HANDLES (3) to flush water lines thoroughly. Rotate SPOUT (4) in both directions. Replace AERATOR (1).
- Direct SPRAY HEAD (5) into sink and activate SPRAY (5). Check HOSE (6) connections for leaks.

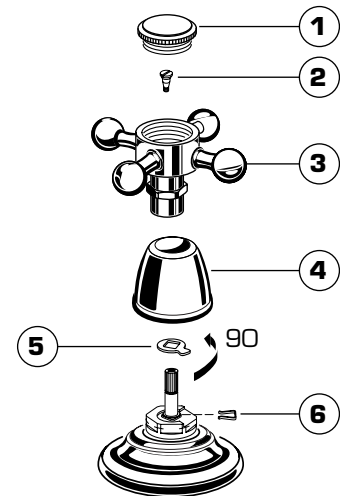


6 SERVICE

- To change direction of handle rotation, proceed as follows:
 - Turn valve to OFF position.
 - Remove INDEX CAP (1). Remove HANDLE SCREW (2).
 - Pull off HANDLE (3) and pull off HANDLE BASE (4).
 - Remove SPRING CLIP (6).
 - Lift STOP WASHER (5), turn 90° and replace.
 - Replace SPRING CLIP (6).
 - Reinstall HANDLE BASE (4) and HANDLE ASSEMBLY (1,2,3).

If faucet drips proceed as follows:

- Aerator may accumulate dirt causing distorted and reduced water flow. Remove aerator and rinse clean.
- If spout drips, operate handles several times from OFF to ON position. Do not force handles turn only 90°.



7 CLEANING INSTRUCTIONS

- To keep your faucet looking new, please follow these simple care instructions:

DO:

- Simply rinse the faucet clean with clear water.
- Dry the faucet with a soft cotton cloth.

DO NOT:

- Do not use any abrasive cleaners, cloths, or paper towels.
- Do not use any cleaning agents containing acids, polish abrasives, or harsh cleaners or soaps.

Regular and routine cleaning will reduce the need for heavy cleaning and polishing. If heavy cleaning is required, the following procedures are recommended:

Remove as much surface dirt and film using clear water and soft cotton cloth (as described above).

- Use any of the following to remove tough surface film and build-up:
 - Mild liquid detergents
 - Clear liquid glass cleaners
 - Non-acidic, non-abrasive gentle liquid or fully dissolved powder cleansers mixed according to manufacturers directions.
 - Non-abrasive liquid polishers

Once clean, rinse faucet again with clear water to thoroughly remove cleaner or polish and blot dry with a soft cotton cloth.

Failure to follow these care instructions may damage the Faucet's finish.

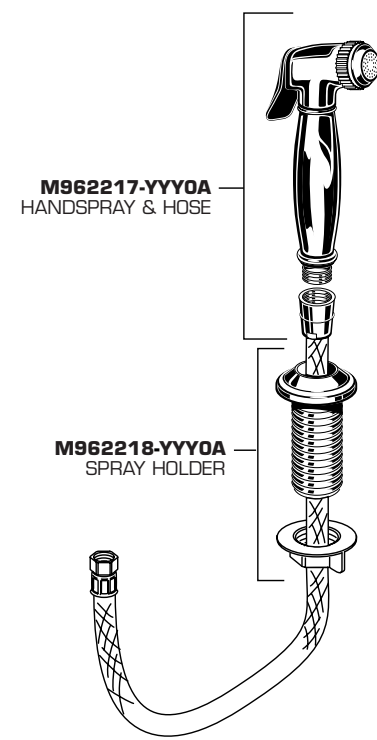
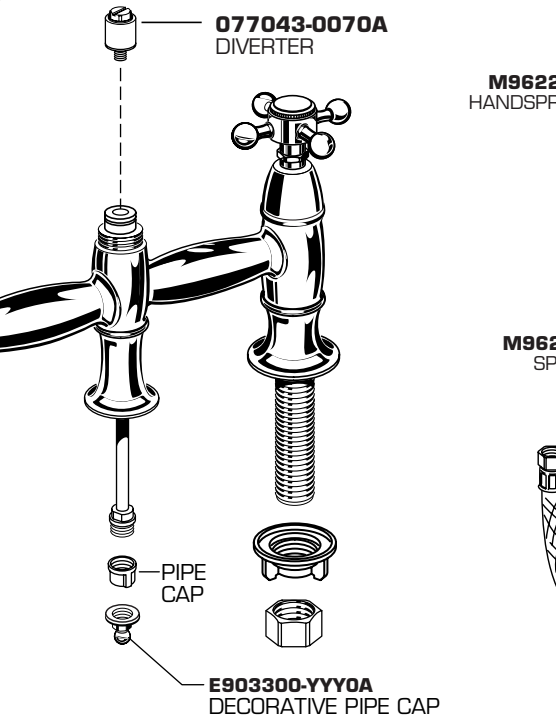
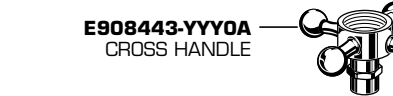
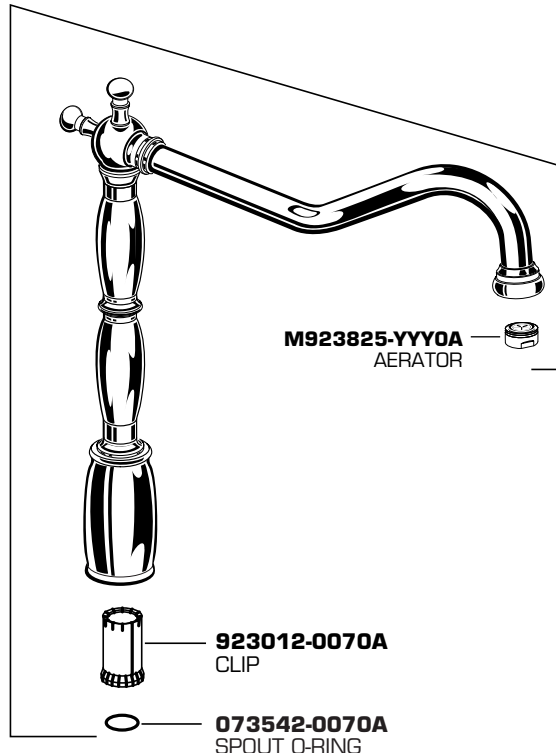
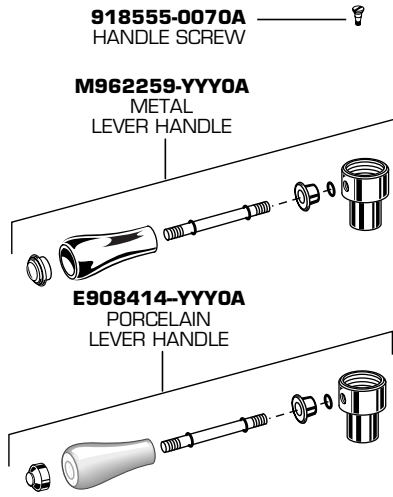
M968250A

American Standard

Culinaire™ TOP MOUNT BRIDGE KITCHEN FAUCETS

MODEL NUMBER

4233.701
4233.711
4233.721



HOT LINE FOR HELP
For toll-free information and answers to your questions, call:
1-800-442-1902
Weekdays 8:00 a.m. to 8:00 p.m. EST

IN CANADA 1-800-387-0369 (TORONTO 1-905-306-1093)
Weekdays 8:00 a.m. to 7:00 p.m. EST

Product names listed herein are trademarks of American Standard Inc.
© American Standard Inc. 2003

Replace the "YYY" with appropriate finish code

CHROME	002
POLISHED BRASS	099
SATIN	295
BLACKENED BRONZE	068