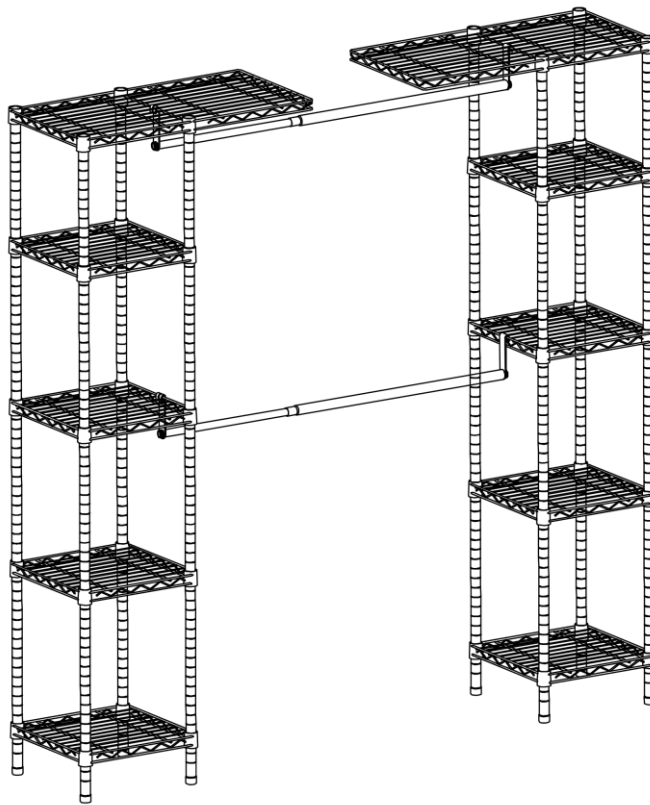


OWNER'S MANUAL



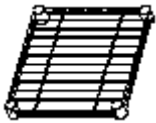
EXPANDABLE CLOSET ORGANIZER

PARTS LIST

Your Expandable Closet Organizer should include the following parts. Please inspect box contents to ensure you have received all components.

If you are missing any parts, need assistance with assembly or have questions, please contact Customer Service.

A



SMALL SHELF (8)

B



TOP SHELF (2)

C



BAMBOO BOARD (8)

D



TOP POLE (8)
End Cap pre-installed

E



MIDDLE POLE (8)

F



BOTTOM POLE (8)
Threaded Insert pre-installed

G



HANGING ROD (2)

H



HANGING BRACKET (4)

I



HANGING SCREW (4)

J



SLIP SLEEVE (80) + (2) extra

K



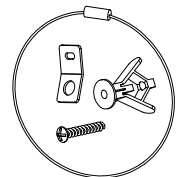
LEVELER (8)

L



CONNECTOR (16)

M



ANTI-TIPPING KIT (2)

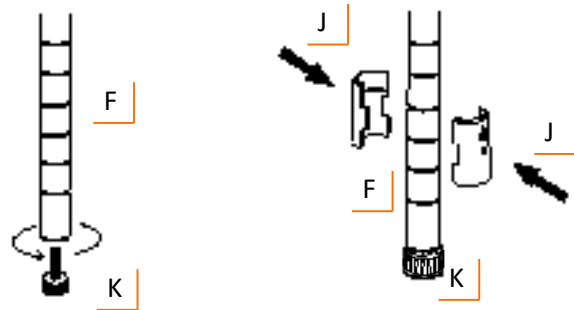
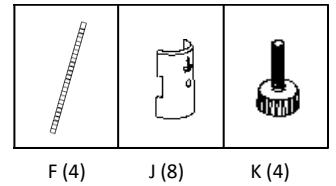
ASSEMBLY INSTRUCTIONS

STEP 1

Screw each LEVELER (K) into the bottom of each BOTTOM POLE (F). Turn clock-wise to screw in place.

Starting from the bottom of the BOTTOM POLE (F), attach two pieces of black plastic SLIP SLEEVES (J) on either side of the pole in the desired groove. Slide the plastic SLIP SLEEVES (J) down until they click into position. Repeat for the other three poles.

Tip: Use the grooves on the pole as a guide to ensure a level shelf height.

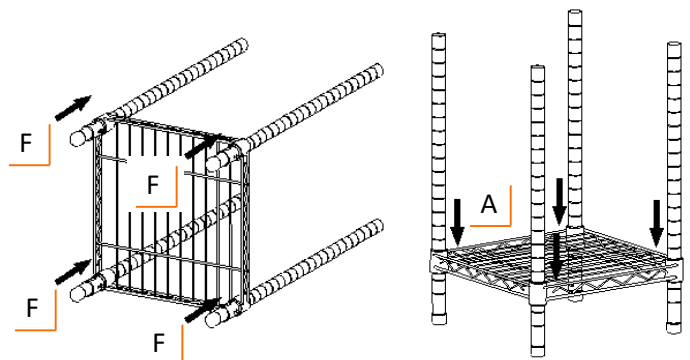
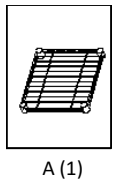


STEP 2

With the SMALL SHELF (A) on its side, slide each of the BOTTOM POLES (F) through the shelf collars.

Stand the unit upright and push down on the SMALL SHELF (A). Using a rubber mallet to lightly hammer the SMALL SHELF (A) down over the collars is helpful but not necessary.

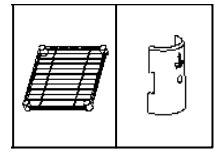
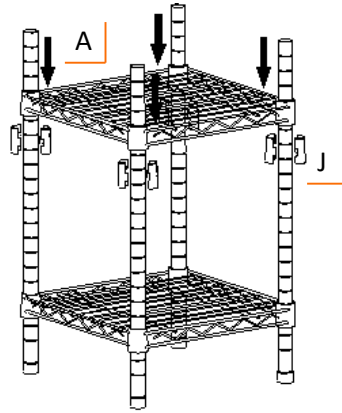
Note: For stability, the lowest SMALL SHELF (A) should be installed **no higher** than the 3rd indentation from the bottom of the BOTTOM POLES (F).



ASSEMBLY INSTRUCTIONS

STEP 3

Attaching black plastic SLIP SLEEVES (J) onto the poles in the desired grooves, slide the 2nd SMALL SHELF (A) from the top of the BOTTOM POLES (F) onto the pairs of black plastic SLIP SLEEVES (J).

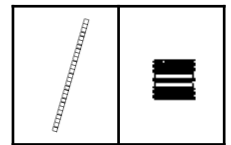
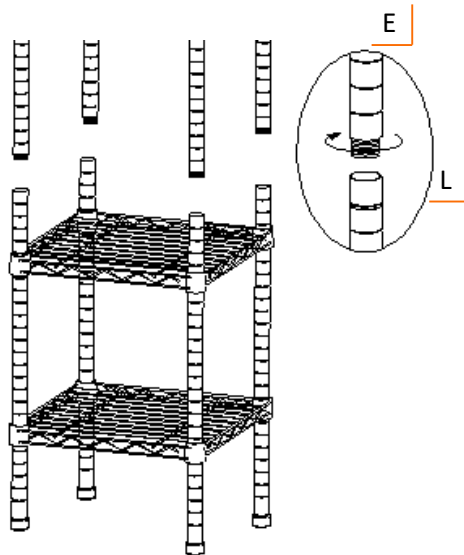


A (1)

J (8)

STEP 4

Screw the CONNECTORS (L) into the top of the BOTTOM POLES (F), connect the four MIDDLE POLES (E) and the four BOTTOM POLES (F) with the CONNECTORS (L).

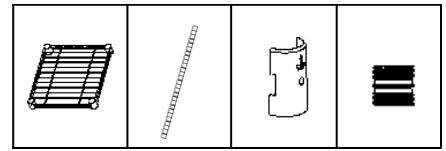


E (4)

L (4)

ASSEMBLY INSTRUCTIONS

STEP 5

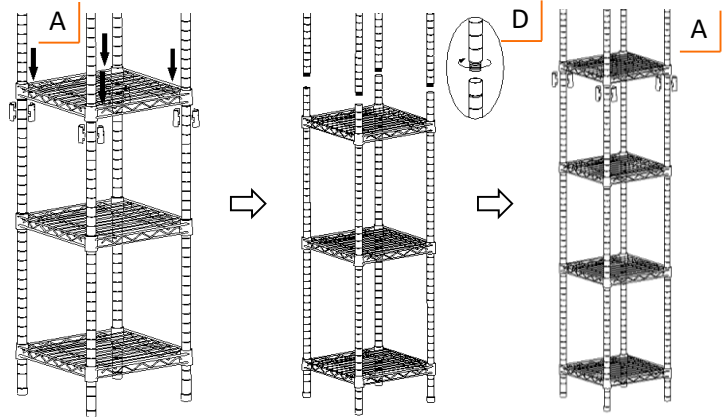


A (2) D (4) J (16) L (4)

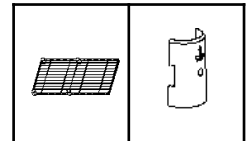
Repeat STEP 3 for assembly of the 3rd SMALL SHELF (A)

Screw the CONNECTORS (L) into the top of the MIDDLE POLES (E), connect the four TOP POLES (D) and the four MIDDLE POLES (E) with the CONNECTORS (L).

Repeat STEP 3 for assembly of the 4th SMALL SHELF (A)



STEP 6

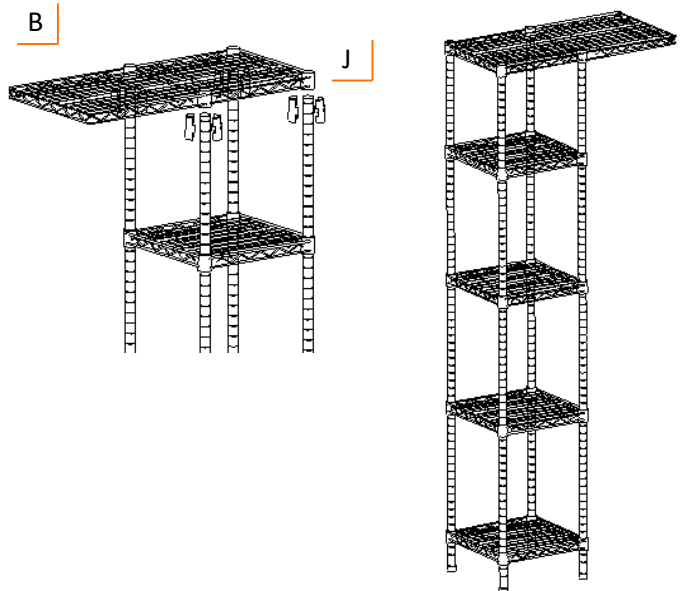


B (1) J (8)

Repeat STEP 3 for assembly of the TOP SHELF (B)

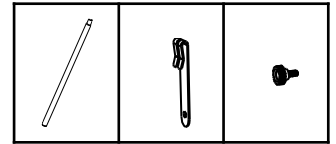
The first tower is ready. Repeat STEP 1 through STEP 6 to assemble the second tower.

Note: For stability, the TOP SHELF (B) should be installed ***no lower*** than the 3rd indentation from the top.



ASSEMBLY INSTRUCTIONS

STEP 7



G (2)

H (4)

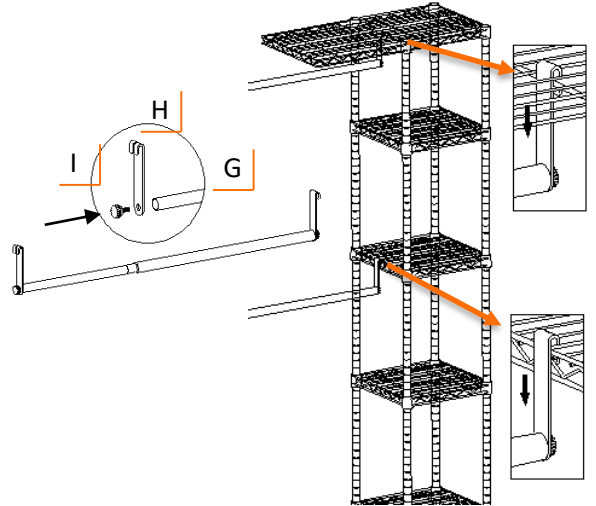
I (4)

Top: Hang the HANGING BRACKET (H) over the wire strand in the middle of the TOP SHELF (B). Do the same for the other side.

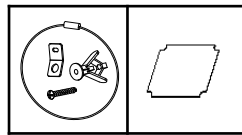
Bottom: Hang the HANGING BRACKET (H) over the lip of SMALL SHELF (A). Do the same for the other side.

Fasten HANGING SCREW (I) through HANGING BRACKET (H) to HANGING ROD (G). Do this for both HANGING RODS (G).

Note: The organizer is able to fit closet widths ranging from 56" to 78". Please place towers in position before expanding the HANGING ROD (G) and attach to HANGING BRACKET (H) with HANGING SCREW (I).



STEP 8



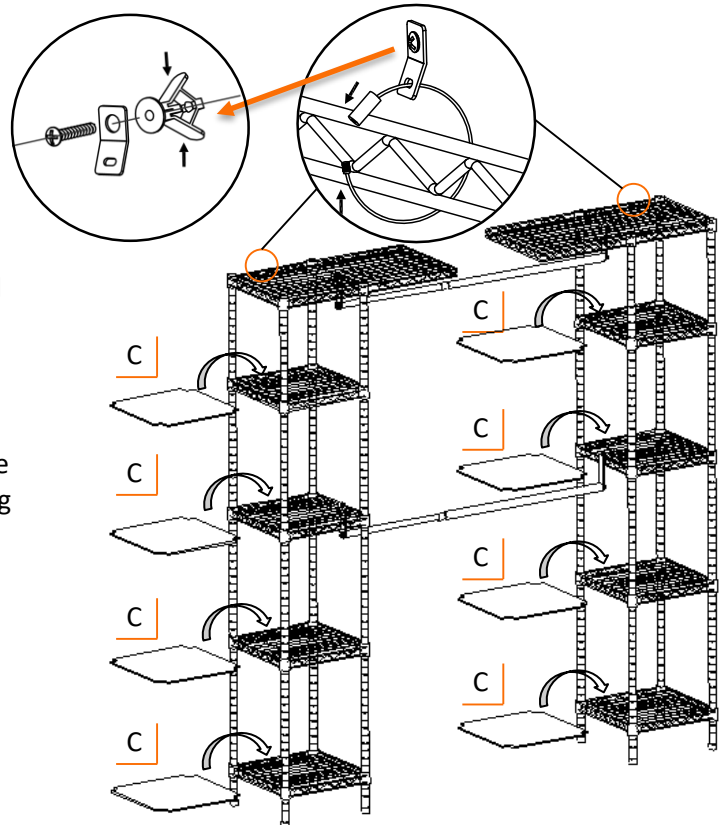
M (2)

C (8)

Place CLOSET ORGANIZER by the wall, drill 1 hole on each side of the wall at the same level of TOP SHELF (B) where ANTI-TIPPING KIT (M) is desired to be placed.

Fasten ANTI-TIPPING KIT (M) to the wall and cable loop through TOP SHELF (B) as the image shows, and close up the cable loop, connecting CLOSET ORGANIZER to the wall via ANTI-TIPPING KIT (M).

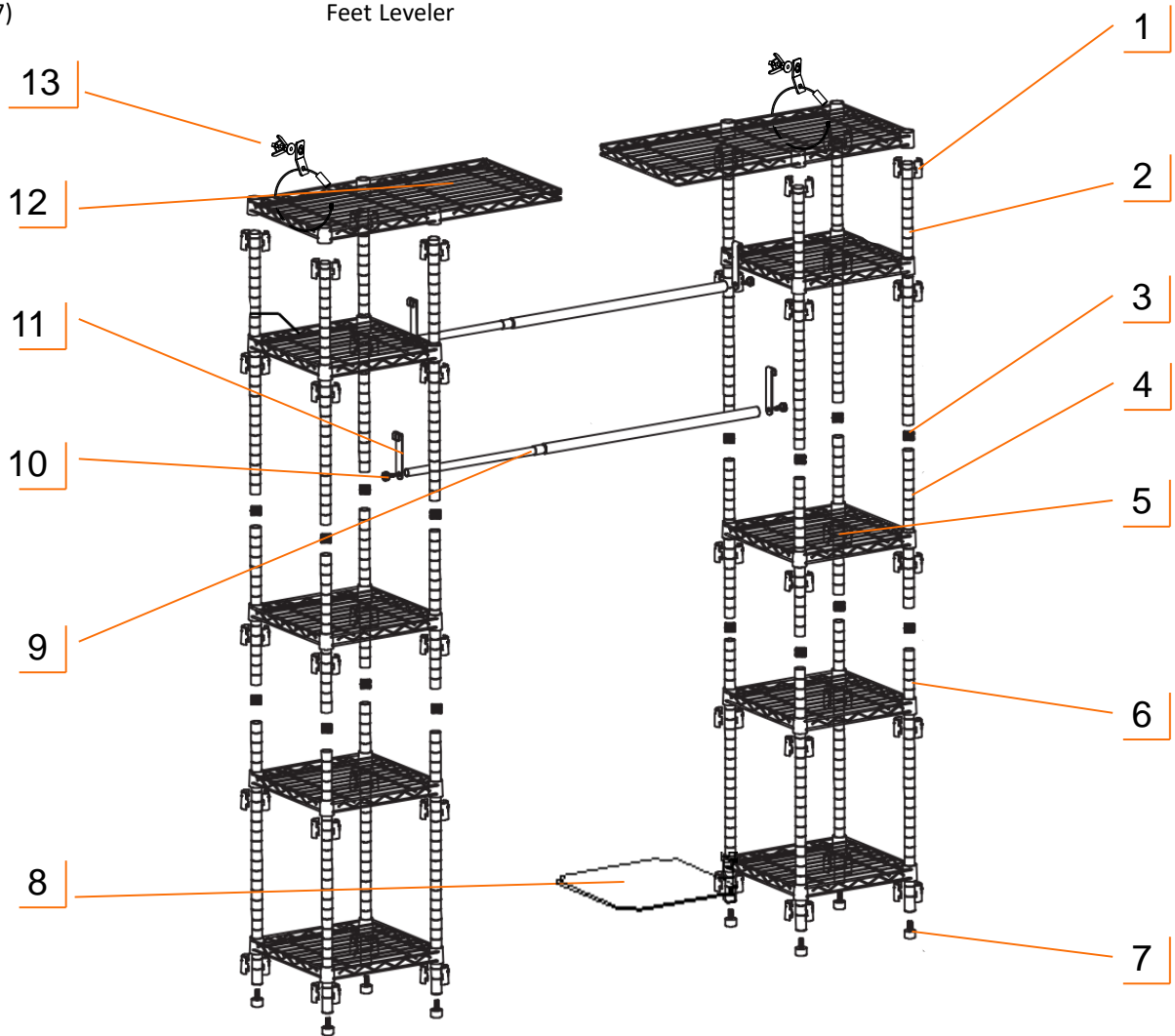
Place each BAMBOO BOARD (C) onto each SMALL SHELF (A) as shown.



SERVICE PARTS LIST – Bronze Color

Customer Service provides the following replacement parts:

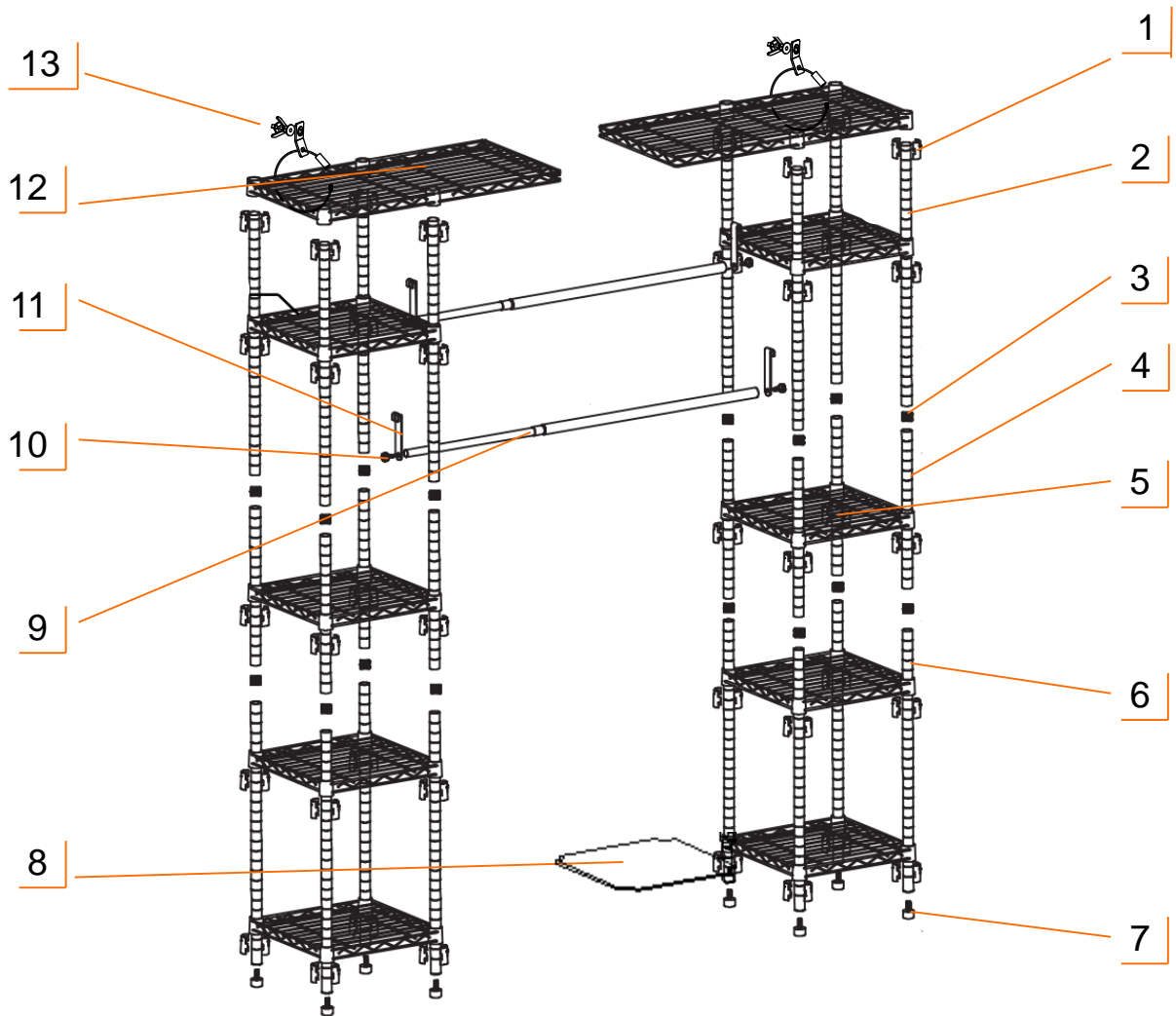
Part Number	Description	Part Number	Description
1)	Slip Sleeve	8)	Bamboo Board
2)	Top Pole	9)	Hanging Rod
3)	Pole Connector	10)	Hanging Screw
4)	Middle Pole	11)	Hanging Bracket
5)	Small Shelf	12)	Top Shelf
6)	Bottom Pole	13)	Anti-tipping kit
7)	Feet Leveler		



SERVICE PARTS LIST – Chrome Color

Customer Service provides the following replacement parts:

Part Number	Description	Part Number	Description
1)	Slip Sleeve	8)	Bamboo Board
2)	Top Pole	9)	Hanging Rod
3)	Pole Connector	10)	Hanging Screw
4)	Middle Pole	11)	Hanging Bracket
5)	Small Shelf	12)	Top Shelf
6)	Bottom Pole	13)	Anti-tipping kit
7)	Feet Leveler		



WARNINGS

1. **Read and understand all instructions.** Failure to follow all instructions may result in injury and/or damage.
2. **The warnings, cautions, and instructions in this manual cannot cover all possible conditions or situations that may occur.** The user must always be aware of their environment and ensure that they use the product in a safe and responsible manner.
3. **Do NOT modify the product in any way.** Unauthorized modification may impair the function and/or safety of the product, and may affect the life of the product.
4. **Check for damaged parts.** Before using this product, carefully check that all parts are in good condition, and that the product will operate properly and perform its intended function. Check for damaged parts and any other conditions that may affect the operation of this product. Replace damaged or worn parts, and never use this product with a damaged part.
5. **Do NOT over-expand the product.** Maximum product total width is 78”.
6. **Do NOT expand the product with clothes on it.** Only expand the product when it is empty.
7. **Do NOT overload the product.**

Weight capacity per shelf	30 lb
Total weight capacity per tower	150 lb
Weight capacity per hanging rod (evenly distributed)	125 lb (none expanded) 65 lb (fully expanded)
Total weight capacity per organizer (evenly distributed)	550 lb (none expanded) 330 lb (fully expanded)

CARE AND MAINTENANCE

- Bamboo can be maintained with mineral oil for best results.
- Avoid harsh, abrasive cleaners, and other corrosive chemicals.

PRODUCT REGISTRATION

Thank you for purchasing this Expandable Closet Organizer. In order to register your product and receive streamlined customer service, please fill out the following Product Registration Form and (1) fax the form (2) complete the Product Registration Form online or (3) scan and email the form. Include a copy of your original receipt with your submission.

First Name: _____ Last Name: _____

Address: _____

City: _____ State: _____ Zip Code: _____

Email Address: _____ Phone: _____

Product Model #: _____ Purchase Date: ____ / ____ / ____

Location of Purchase: _____

Please rate the importance of each feature (1=least important; 10=most important)

Quality ____ Price ____ Size/Capacity ____ Appearance ____ Other ____

How did you hear about our product?

- Magazine Ad Catalog Salesperson Word of Mouth
 Internet Store Display Other

Marital Status: Single Married

Household Income: Below \$50,000 \$50,000-\$150,000 \$150,000+

Education: High School College Graduate School

Primary Residence: Own Rent

Comments/Suggestions:



LIMITED WARRANTY

Expandable Closet Organizer Model

CONTACT US

**QUESTIONS? NEED PARTS?
WE ARE HERE TO HELP!**

Please feel free to contact us. There are no questions too small, or any problems too big. We're committed to providing our customers with the highest level of service.

Customer Service