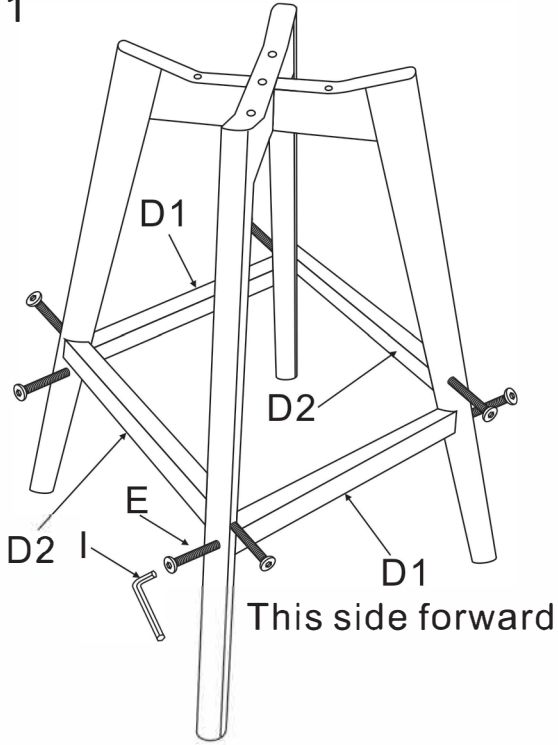
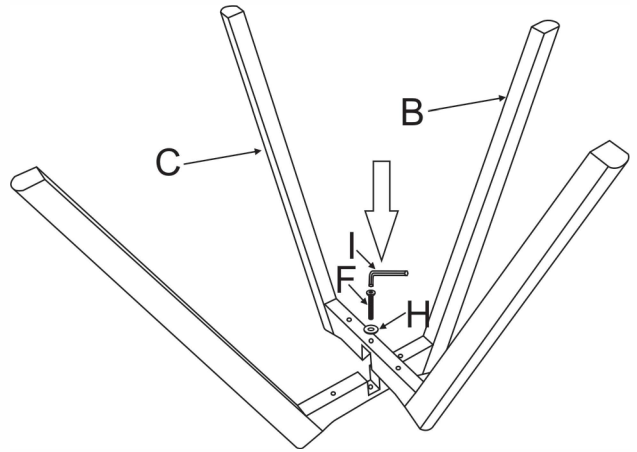


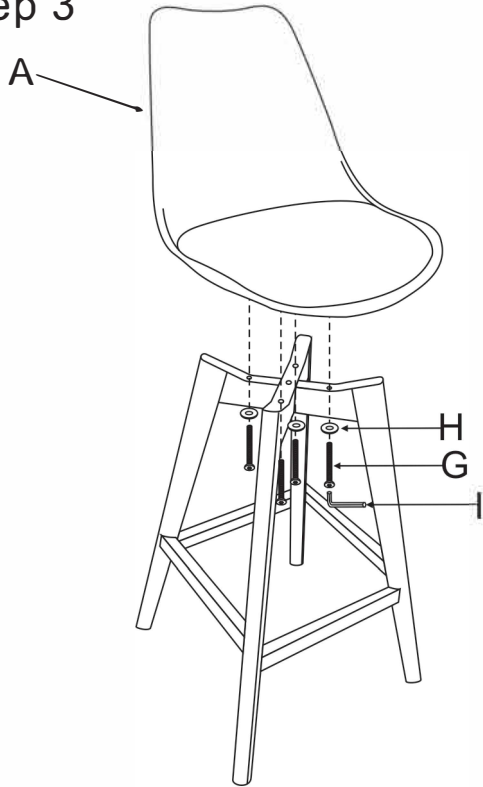
step 1



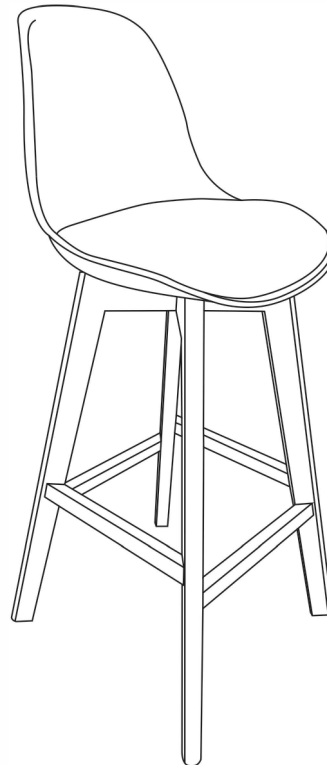
step 2





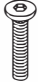

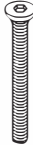





step 3



step 4



			D1 x2 					
A x1	B x1	C x1	D2 x2 	6x30mm	6x35mm	6x45mm		
				E x8	F x1	G x4	H x5	I x1