

WARNING!!

Children have died from furniture tipover. Tip restraints have been included with this product; you must install the tip restraints according to these instructions in order to minimize the risk of furniture tipping. If you have any questions about this product or the tip restraint, please send us

NEVER allow children to climb or hang on furniture, including drawers or cabinet doors.

In addition to installing the restrains, to help prevent tip-over

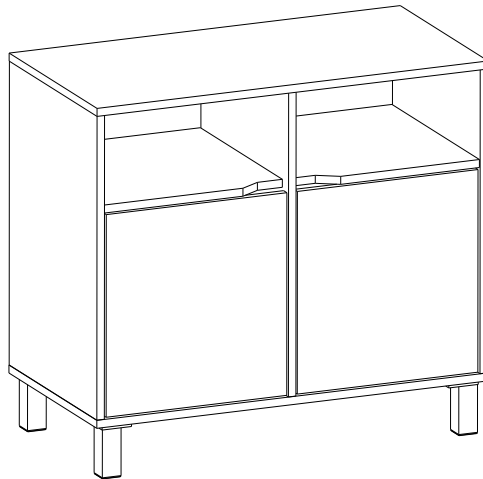
- 1. NEVER put a TV or other heavy objects on top of this product.**
- 2. Do not stand on the product**

 WARNING	
	<p>Children have died from furniture tipover. To reduce the risk of furniture tipover:</p> <ul style="list-style-type: none">• ALWAYS install tipover restraint provided.• NEVER put a TV on this product.• NEVER allow children to stand, climb or hang on drawers, doors, or shelves.• NEVER open more than one drawer at a time.• Place heaviest items in the lowest drawers.• Do not defeat or remove the drawer interlock system.
	<p><i>This is a permanent label. Do not remove!</i></p>

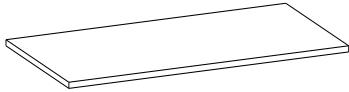

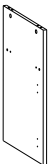
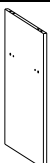
Assembly Instructions

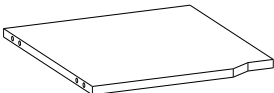
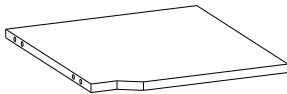
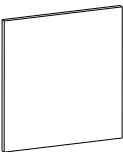
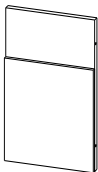
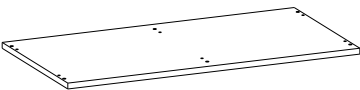
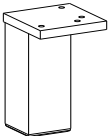
Caution : You must read this before you proceed

CABINET










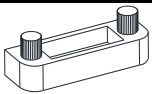
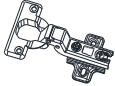
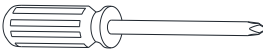


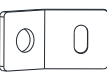
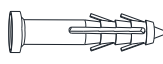



Parts List

Label	Picture	Description	QTY
A		Top Panel	1
B		Left Side Panel	1
C		Right Side Panel	1
D		Center Panel	1

E		Left Middle Panel	1
F		Right Middle Panel	1
G		Door Panel	2
H		Back Panel	2
I		Bottom Panel	1
J		Leg	4

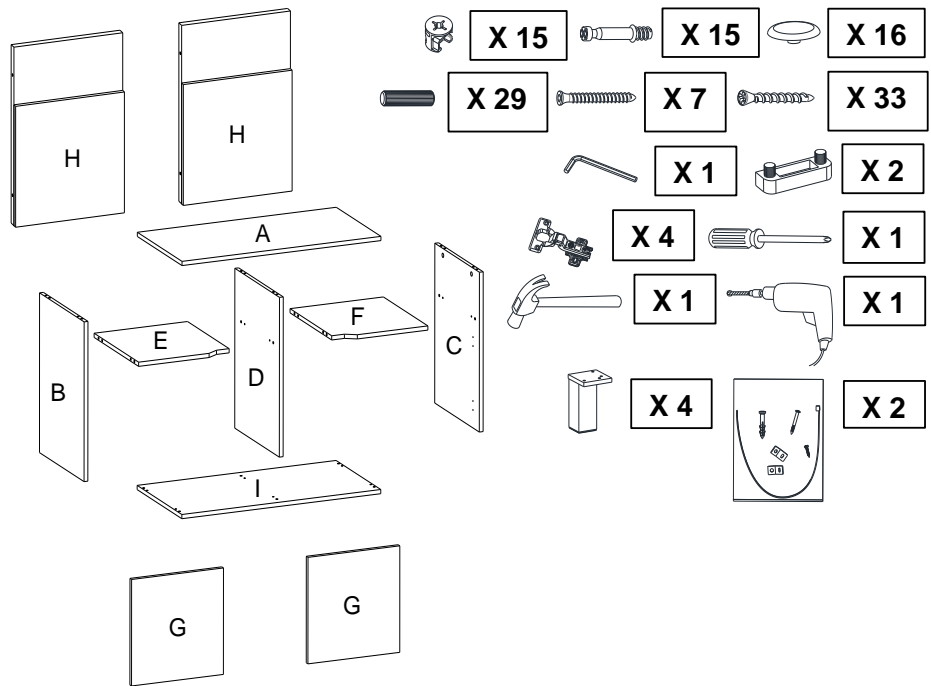
Hardware

Label	Picture	Description	QTY
①		Cam Lock	15
②		Cam Bolt	15
③		Cam Cap	16
④		Positioning Dowel ($\phi 8 \times 30 \text{mm}$)	29
⑤		Cap Wood Screw (M6*50mm)	7
⑥		Screw (M3.5*16mm)	33
⑦		Allen Key	1

⑧		Stopper	2
⑨		Hinge	4
⑩		Screwdriver (not provided)	1
⑪		Hammer (not provided)	1
⑫		Power Drill (not provided)	1
Cabinet Restraint Device Hardware			
⑬		Metal Bracket	4
⑭		Wall Plug	2
⑮		Wall Plug Screw	2
⑯		Pan Head Screw	2
⑰		Cabinet Restraint Strap	2

Assembly Preparation

Before Beginning Assembly:



- Read instructions, cover to cover-



- Have 2 adults on hand for assembly-



- Do not assemble on flooring or carpet-



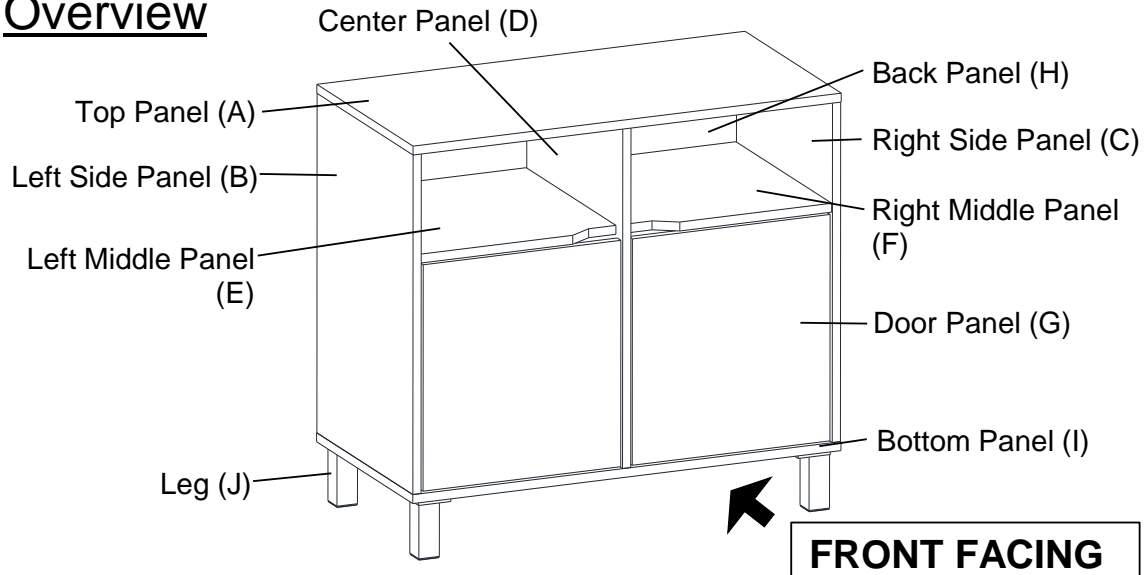
- Assemble on a clean non-marring surface (packing foam)-



- Save all packaging until finished-

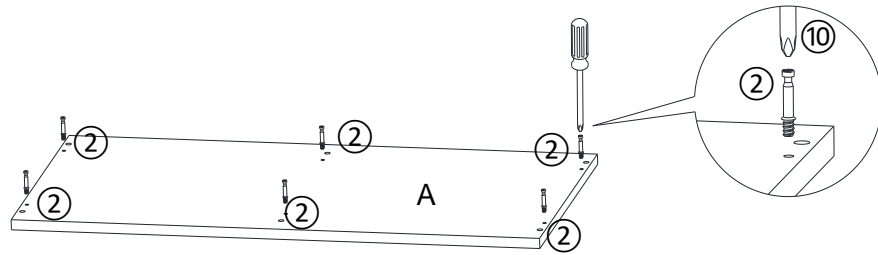
Assembly Steps

Overview



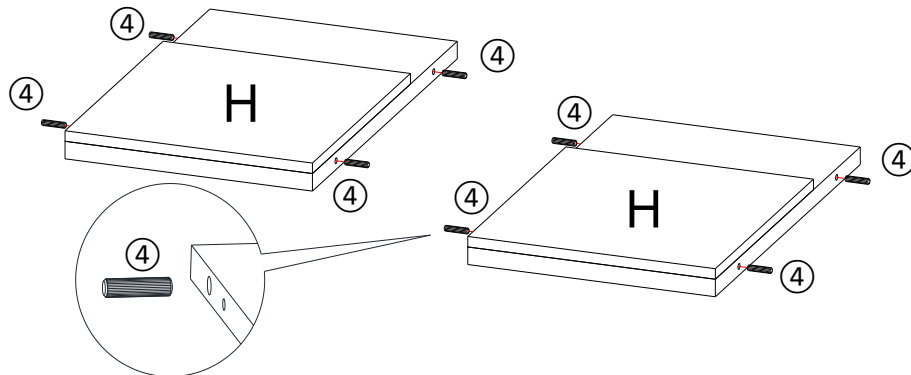
This Cabinet has multiple parts and may require up to 60 minutes to assemble. To give you an overview of the Cabinet parts, the above picture is to help you put the various parts into perspective. Please read through the instructions below to familiarise yourself with the parts and steps before assembly.

Step 1

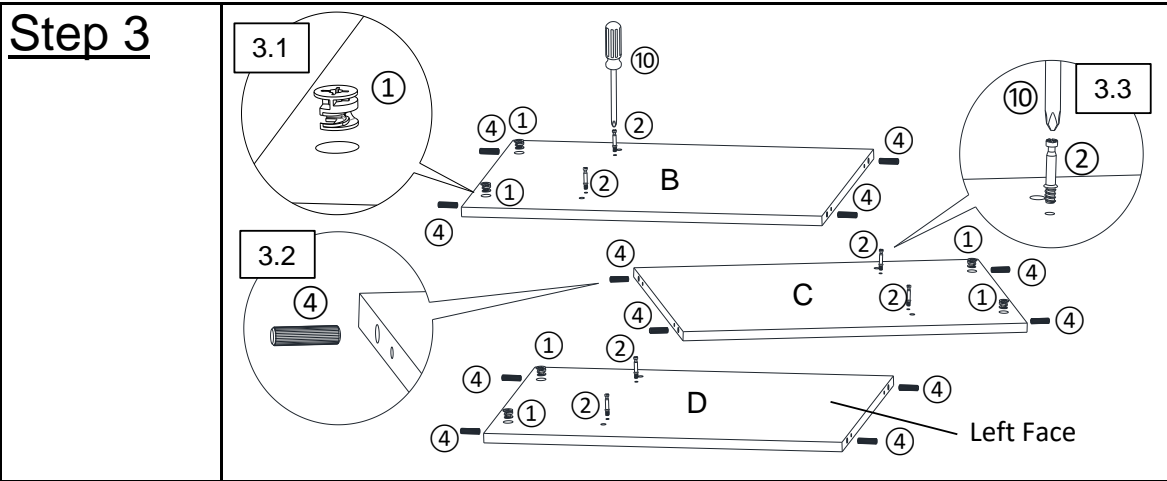


Unpack and place all parts on a clean, non-marring surface. Attach Cam Bolts(2) to mounting positions on Top Panel(A) with Screwdriver(10).

Step 2



Insert Positioning Dowels(4) into mounting positions on Back Panel(H) by hand.

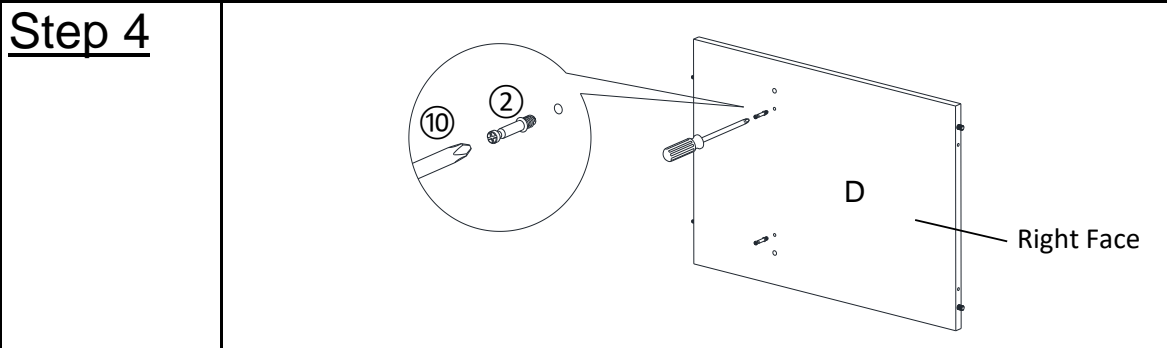


3.1) Insert Cam Locks(①) into mounting positions on Left Side Panel(B) by hand.

3.2) Insert Positioning Dowels(④) into mounting positions on Left Side Panel(B) by hand.

3.3) Attach Cam Bolts(②) to mounting positions on Left Side Panel(B) with Screwdriver(⑩).

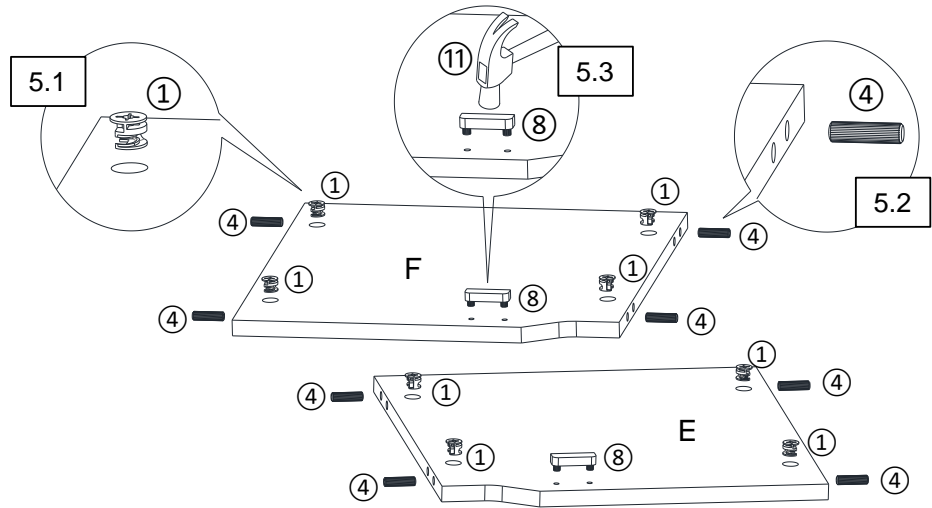
3.4) Repeat the same process on Right Side Panel(C) and Center Panel(D).



Lift Center Panel(D) upward with help from another adult.

Attach Cam Bolts(②) to mounting positions on the opposite side of Center Panel(D) with Screwdriver(⑩).

Step 5



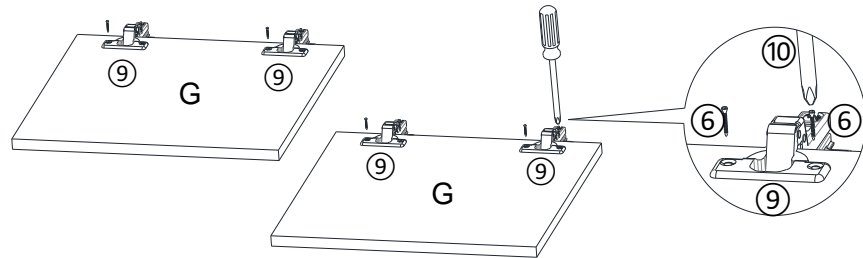
5.1) Insert Cam Locks(①) into mounting positions on Right Middle Panel(F) by hand.

5.2) Insert Positioning Dowels(④) into mounting positions on Right Middle Panel(F) by hand.

5.3) Attach Stopper(⑧) to Right Middle Panel(F) with Hammer(⑪).

5.4) Repeat the same process on Left Middle Panel(E).

Step 6

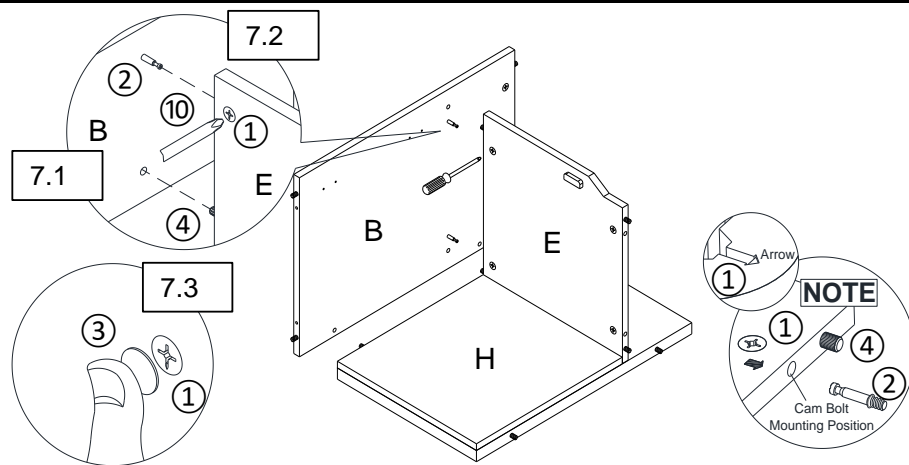


Attach Hinges(⑨) to Door Panels(G) using Screws(⑥) with Screwdriver(⑩).

Tighten the Screws fully in a sequential manner.

Note: There are pre-existing mounting positions on the Door Panels to attach the Hinges.

Step 7



7.1) Insert Positioning Dowels(④) from Left Middle Panel(E) and Back Panel(H) into mounting positions on Left Side Panel(B).

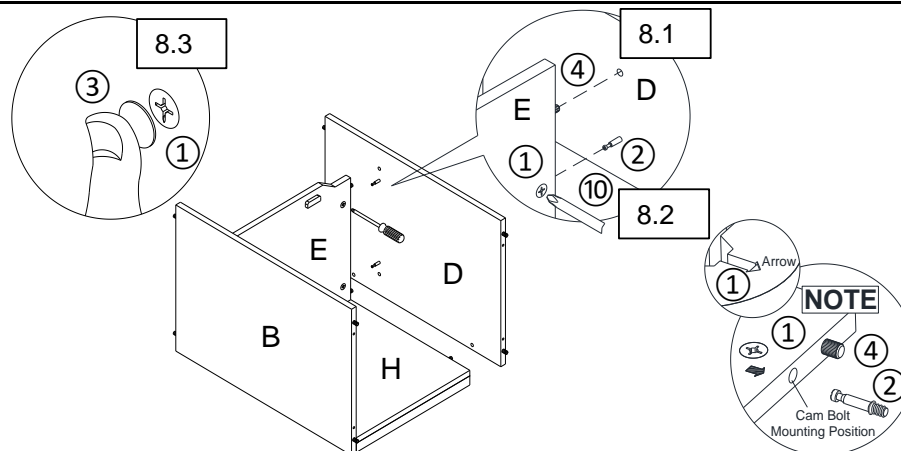
Note: Ensure the arrows on Cam Lock head points towards the Cam Bolt mounting position.

Insert Cam Bolts(②) on Left Side Panel(B) into the mounting positions on Left Middle Panel(E).

7.2) Turn the Cam Locks(①) clockwise with the Screwdriver(⑩) until they all lock into place.

7.3) Cover Cam Locks(①) with Cam Caps(③) by hand.

Step 8



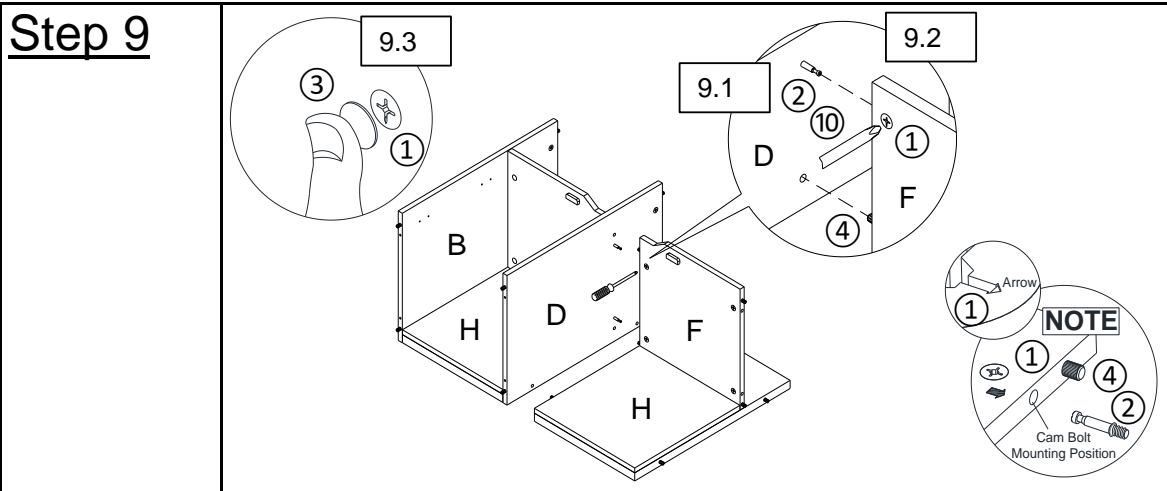
8.1) Insert Positioning Dowels(④) from Left Middle Panel(E) and Back Panel(H) into mounting positions on Center Panel(D).

Note: Ensure the arrows on Cam Lock head points towards the Cam Bolt mounting position.

Insert Cam Bolts(②) on Center Panel(D) into the mounting positions on Left Middle Panel(E).

8.2) Turn the Cam Locks(①) clockwise with the Screwdriver(⑩) until they all lock into place.

8.3) Cover Cam Locks(①) with Cam Caps(③) by hand.



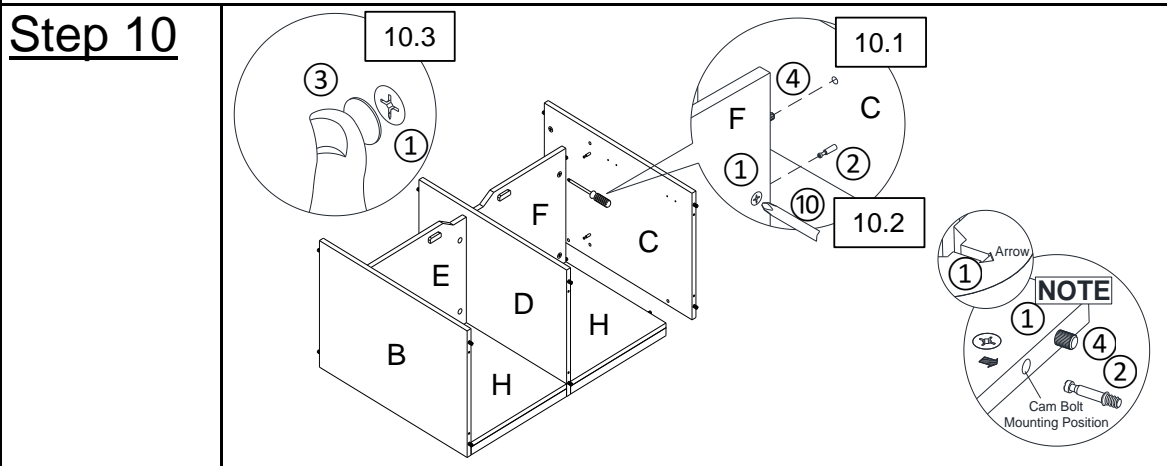
9.1) Insert Positioning Dowels(④) from Right Middle Panel(F) and Back Panel(H) into mounting positions on Center Panel(D).

Note: Ensure the arrows on Cam Lock head points towards the Cam Bolt mounting position.

Insert Cam Bolts(②) on Center Panel(D) into the mounting positions on Right Middle Panel(F).

9.2) Turn the Cam Locks(①) clockwise with the Screwdriver(⑩) until they all lock into place.

9.3) Cover Cam Locks(①) with Cam Caps(③) by hand.



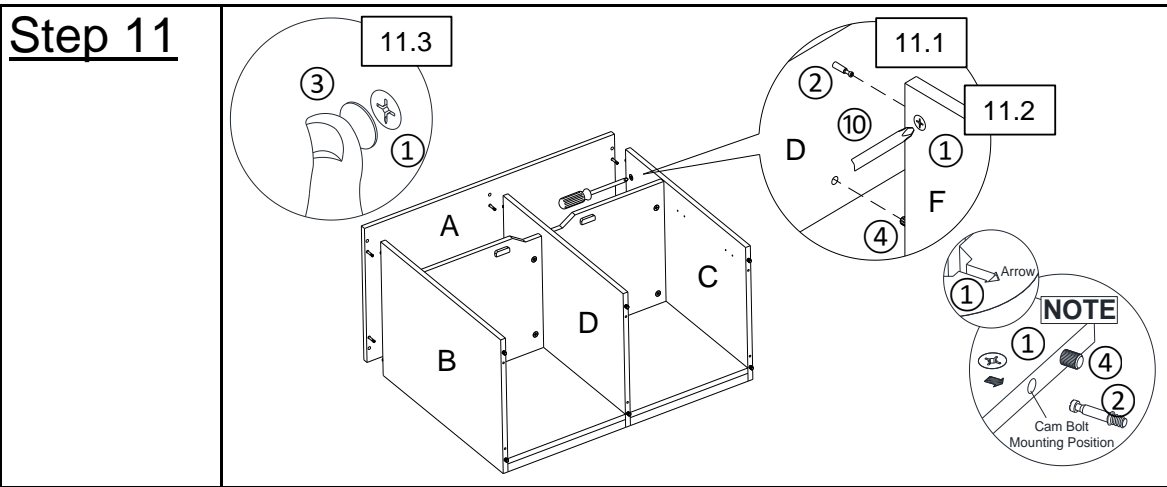
10.1) Insert Positioning Dowels(④) from Right Middle Panel(F) into mounting positions on Right Side Panel(C).

Note: Ensure the arrows on Cam Lock head points towards the Cam Bolt mounting position.

Insert Cam Bolts(②) on Right Side Panel(C) into the mounting positions on Right Middle Panel(F).

10.2) Turn the Cam Locks(①) clockwise with the Screwdriver(⑩) until they all lock into place.

10.3) Cover Cam Locks(①) with Cam Caps(③) by hand.

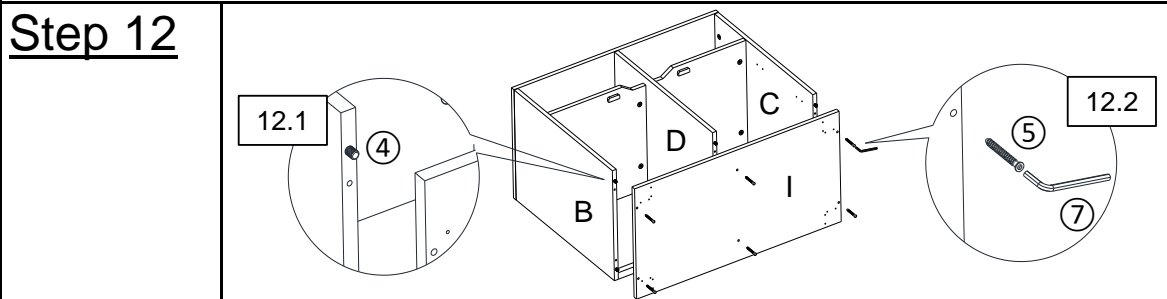


11.1) Insert Positioning Dowels(④) from Left Side Panel(B), Right Side Panel(C) and Center Panel(D) into mounting positions on Top Panel(A).
Note: Ensure the arrows on Cam Lock head points towards the Cam Bolt mounting position.

Insert Cam Bolts(②) on Top Panel(A) into the mounting positions on Left Side Panel(B), Right Side Panel(C) and Center Panel(D).

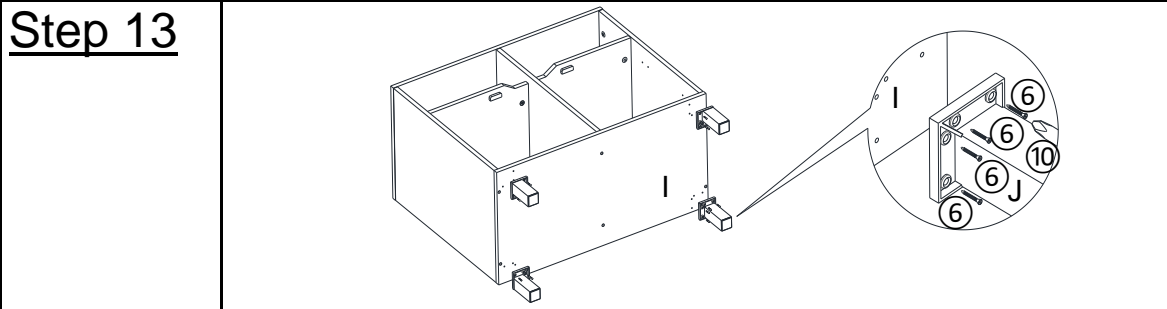
11.2) Turn the Cam Locks(①) clockwise with the Screwdriver(⑩) until they all lock into place.

11.3) Cover Cam Locks(①) with Cam Caps(③) by hand.



12.1) Insert Positioning Dowels(④) from Left Side Panel(B), Right Side Panel(C) and Center Panel(D) into mounting positions on Bottom Panel(I).

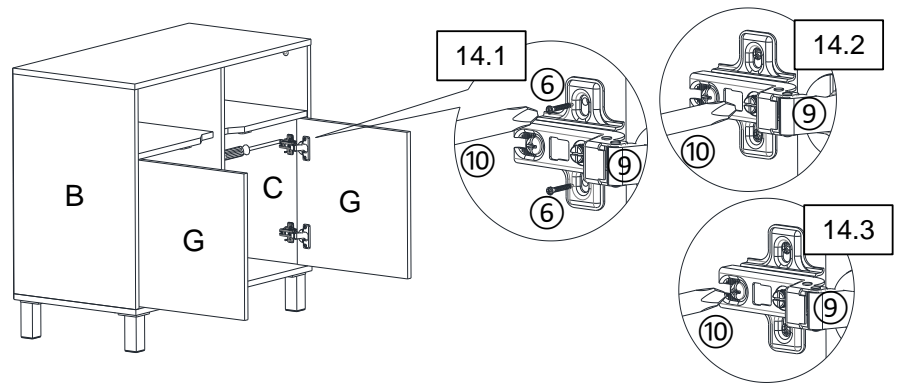
12.2) Attach Bottom Panel(I) to Cabinet Assembly using Cap Wood Screws(⑤) with Allen Key(⑦).



Attach Legs(J) to Bottom Panel(I) using Screws(⑥) with Screwdriver(⑩).
Tighten the Screws fully in a sequential manner.

Note: There are pre-existing mounting positions on the Bottom Panel to attach the Legs.

Step 14



14.1) Attach Hinges(⑨) to Left Side Panel(B) and Right Side Panel(C) using Screws(⑥) with Screwdriver(⑩).

Tighten the Screws fully in a sequential manner.

14.2) Rotate first screw on Hinge(⑨) to adjust left-right position of Door Panels(G) when necessary.

14.3) Rotate second screw on Hinge(⑨) to adjust in-out position of Door Panels(G) when necessary.

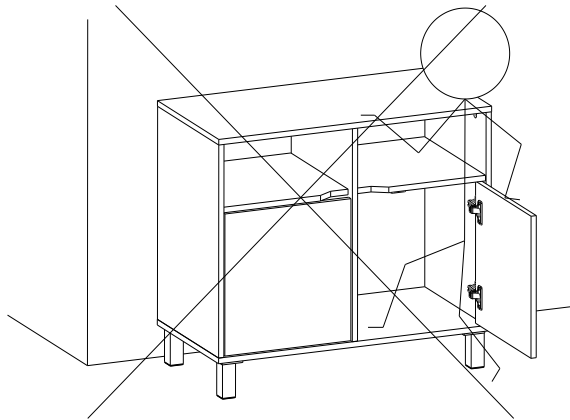
Note: There are pre-existing mounting positions on the Left Side Panel and Right Side Panel to attach the Hinges.

Cabinet Restraint Device Installation Instructions

WARNING

Serious or fatal crushing injuries can occur from tipping furniture.
To help prevent tip-over: ALWAYS secure this furniture to the wall using Cabinet Restraint Device.

See product instructions for more ways to help prevent furniture tip-over.

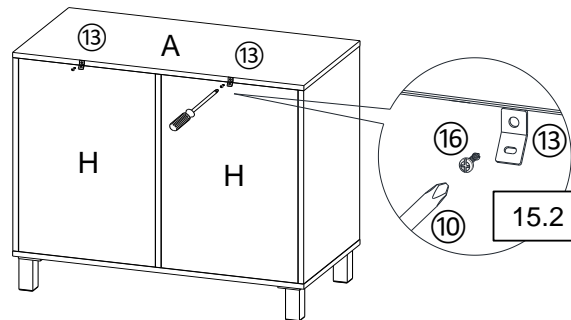


Usage For Cabinet Restraint Device:

To secure Cabinet against wall, attach two Metal Brackets(13) on wall and product, use Cabinet Restraint Strap(17) to connect the Metal Brackets(13).

Instructions:

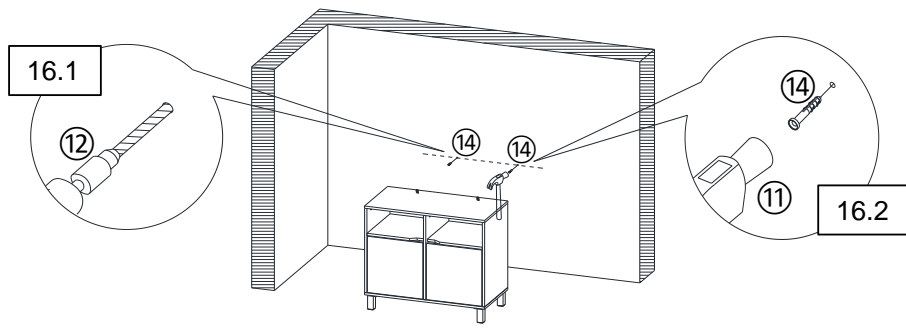
Step 15



15.1) Turn the Cabinet so the back side faces you.

15.2) Attach Metal Brackets(13) to Top Panel(A), where labeled, using Pan Head Screws(16) with Screwdriver(10).

Step 16



16.1) Drill two holes on wall at same height as Metal Brackets(13) on Cabinet with Power Drill(12).

You can mark these points in two ways as below:

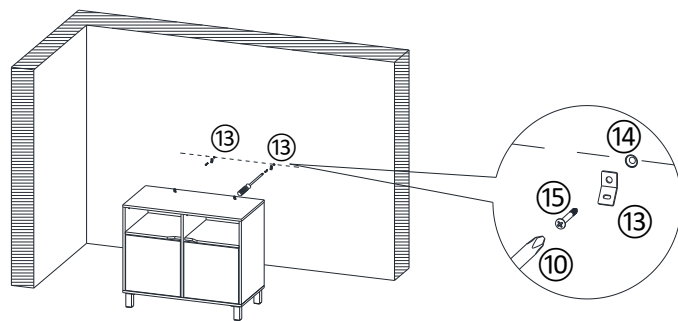
1) Move the Cabinet back to the wall. Mark two points same height as Cabinet on the wall.

Note: The Metal Brackets need to be secured to solid, load bearing surface. Please use a Stud Finder(not supplied) if needed to locate the Wall Frame.

2) Measure the height of the Metal Brackets(13) with ruler/measuring tape and mark on wall to keep them accurate and same height.

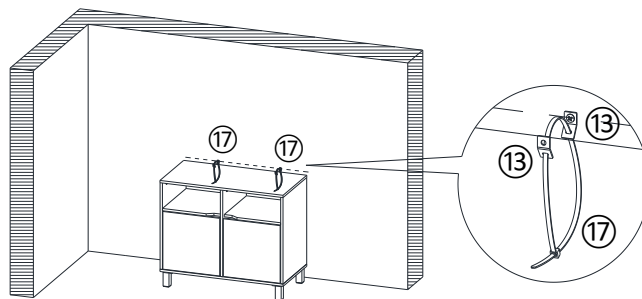
16.2) Insert Wall Plugs(14) into drilled holes on wall with Hammer(11).

Step 17



Attach Metal Brackets(13) to Wall Plugs(14) using Wall Plug Screws(15) with Screwdriver(10).

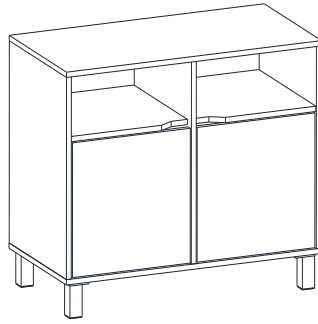
Step 18



Move Cabinet to the wall.

Pull the Restraint Straps(17) through the Metal Brackets(13) on the wall and Cabinet one by one, and pull the Restraint Straps(17) tight.


Step 19



Your Cabinet is ready for use.

This Cabinet can only be used on a flat, level surface.

Care & Maintenance

- ✓  • Furniture may scratch floors. We recommend using furniture pads to protect your floors.
- ⊘  • Do not put hot items directly on furniture surface.
- ⊘  • Do not clean furniture with harsh cleansers or polish.
- ⊘  • Do not place furniture under direct sunlight.
- ⊘  • Do not place furniture near heating or cooling vents.
- ⊘  • Do not write on furniture without a padded barrier to protect the surface.
- ⊘  • Do not place furniture outside . For indoor use only.
- ⊘  • Not for commercial use. For residential use only.
- ⊘  • Stains may be removed with mild soap solution and damp cloth.
- ⊘  • Children should not climb or jump on the furniture.
- ✓  • Dust and pick-up spills using a clean, non-colored, lint-free cloth.