

## Description: RAVEN NOIR DINING TABLE

### Product Size: 59.5" x 40" x 30"H

Your furniture purchase is an investment. Here are a few tips to maximize the lifetime of your furniture with a minimum amount of effort. Properly caring for your furniture can help ensure that it looks great year after year.

#### Wood Furniture Maintenance:

- Always dust, wipe, and clean *with* the grain of the wood.
- Dust with a soft cloth. Dust will scratch the furniture surface if not removed properly.
- Use the same type of polish consistently as interchanging oil-based and wax-based polishes will cause a build-up and result in a foggy or cloudy appearance.
- If a polished surface becomes foggy, rub it with a cloth dipped in a solution of one tablespoon vinegar to one quart of water. Rub softly with the grain until the surface is completely dry.
- Soap and water are not advisable for wood surfaces. Water can penetrate the finish and raise the grain on wood, causing damage.
- Remember to change dusting cloths frequently as dirty cloths may scratch your furniture's surface

#### The Enemies of Wood:

- Moisture is wood's worst enemy. Liquid spills should be gently wiped up immediately. Coasters should be used under all beverages.
  - Do not allow rubber or vinyl materials to lie on the furniture. Chemicals in rubber may leave a stain. Put a strip of felt or leather under accessories that have rubber or vinyl.
- Heat creates a chemical change in the furniture's finish, which results in a white spot. Use protective pads under hot dishes, appliances, etc.
- Sunlight's ultraviolet rays can damage the finish of furniture. Do not place furniture directly against a heater or radiator and do not place in the path of hot streams of air from central heating. This will cause extreme localized drying of the wood.

#### High Gloss Resin Table Maintenance:

- Resin tabletops have approximately 1/8" of a resin coat on the top face of the table, which will resist ice, water, wine, liquor, food, cleaning fluids, and warm or hot liquids; however, cups, glasses, etc. containing hot liquids should not be left on the table without a coaster for protection.
- Resin tabletops will scratch just the same as any other glossy surface and basic precautions should be taken.
- For lasting shine, the resin table should be waxed with a car wax that does not contain silicon. Maintaining this wax build-up will result in a high gloss shine.
- When wiping down the table, a soft, clean rag should be used. Do not use a heavy paper.

#### Granite Top Maintenance:

The surface of the granite on your table has been polished or sealed to create a generally non-porous surface. The stone has many natural characteristics including: veining, hairline cracks, and color variations which make up the stone's beauty.

To maintain the beauty of your granite:

- Protect surfaces from scratching, staining and etching by:
  - \* Keeping them free of debris or sharp objects
  - \* Wiping up spills immediately
  - \* Avoiding contact with chemicals (particularly acid-based materials)
- Clean with pH neutral products or those especially formulated for use on stone.
- It is not recommended to use a water-based solvent for dark granite as it will remove the polish from the surface. Absorbed into the stone.
- After a period of use, apply a penetrating sealer to prevent contaminants from being
- Remove stains with special absorbent poultices formulated for use on stone.
- Renew the surface on polished granite (granite with a high gloss surface) by buffing with special stone polish, powder or cream.
  - Do not use granite polish on granite with a matte finish, which has been honed rather than polished. (Penetrating sealer may be used on both polished and honed granite.)

#### Marble Top Maintenance:

Marble may be stone, but it is porous stone and can stain easily. Treating marble surfaces the same as wood surfaces is a great rule of thumb.

- It is recommended to seal the tops on a regular basis (every 6 to 12 months).
    - A good quality stone sealer can be purchased from any tiles / stone store or any homecare store and should be applied according to the manufacturer's recommendation.
  - When sealed properly, marble tops can be used indoors and outdoors and can withstand any weather conditions except internal freezing. Snow or freezing rain will penetrate the table and cause cracks.
- #### Caring for the Fabric on Upholstered Furniture:
- Frequent vacuuming of the entire upholstered area will prevent dust from settling into the fibers.
  - Professional cleaning is always recommended for all upholstered pieces.
  - Always pre-test a small area of fabric in an inconspicuous area where cleaning before proceeding.
  - Do not use cleaning products containing brightening agents.

## VERY IMPORTANT!!

**NEVER**  
USE GLASS CLEANERS  
ON FINISHED SURFACES.  
AMMONIA WILL  
CHEMICALLY ATTACK  
THE FINISH.

DO NOT  
WRITE  
DIRECTLY  
ON  
SURFACE



PREVENT  
MARKING

DO NOT  
PLACE  
DIRECTLY  
IN  
SUNLIGHT



PREVENT  
FADING

DO NOT  
USE  
PLACEMATS  
WITH  
RUBBER  
BASES



PREVENT  
DISCOLORING

**NEVER**  
ALLOW LIQUIDS OF ANY  
KIND TO LINGER ON  
SURFACES. ABSORPTION  
CAUSES THE WOOD TO  
WARP AND THE FINISH  
TO DE-LAMINATE.

DO NOT USE  
COMMERCIAL  
POLISHES  
AND WAXES



PREVENT  
YELLOWING

DO NOT  
PLACE HOT  
POTS, ETC.  
ON  
SURFACE



PREVENT  
DAMAGE TO  
FINISH!

REGULATE  
THE  
HUMIDITY  
CONDITIONS  
AT YOUR  
HOME

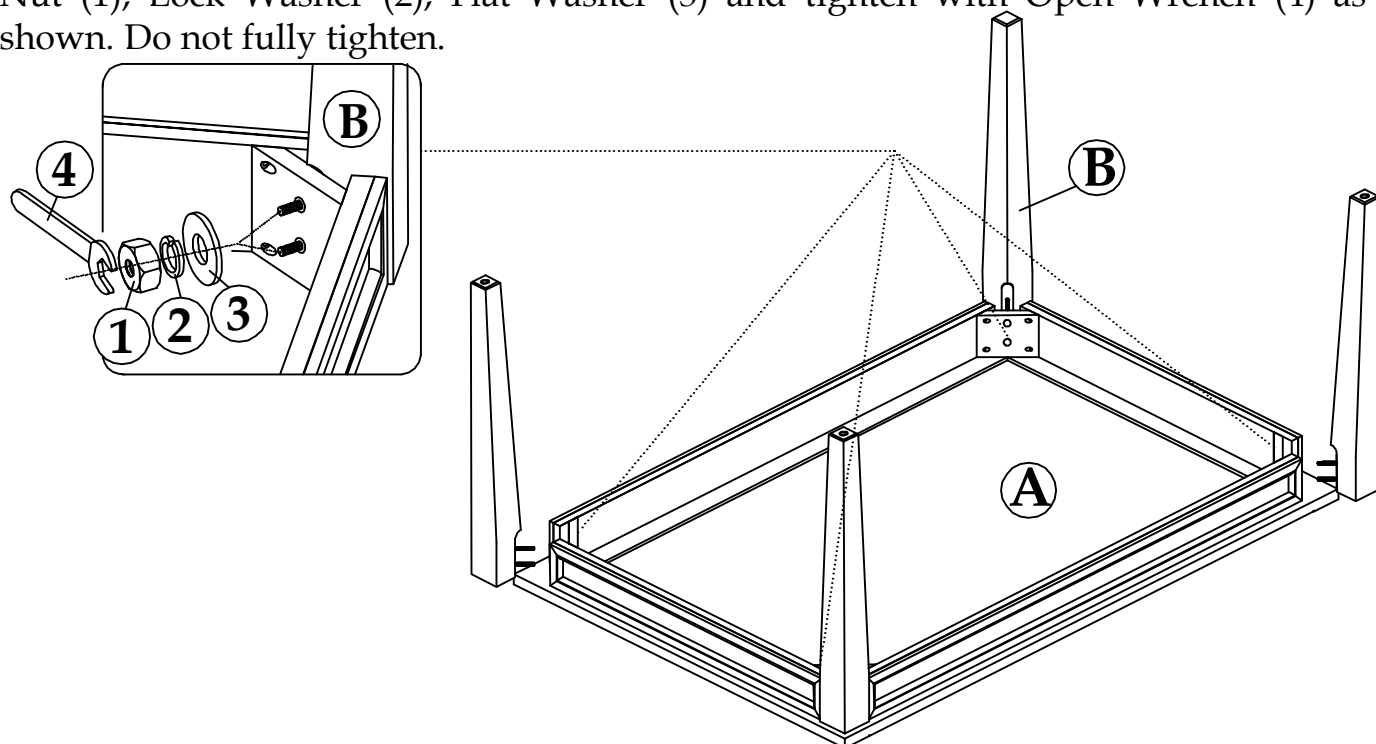


PREVENT  
SPLITTING

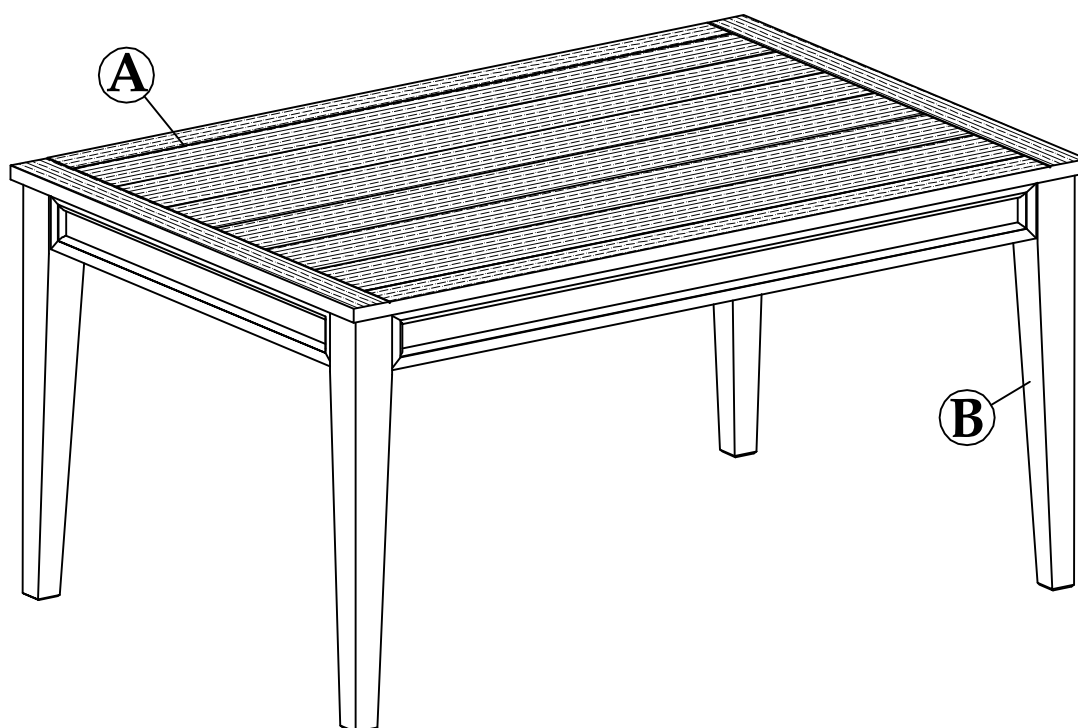
# ASSEMBLY INSTRUCTIONS

**DO NOT FULLY TIGHTEN ALL HEX NUTS UNTIL THE ENTIRE UNIT IS COMPLETELY ASSEMBLED**

**Step 1** :Place the Table Top (A) upside down on a piece of cloth or carpet to prevent finish from scratching. Attach the Table Leg (B) to each corner of the Table Top (A) by using Hex Nut (1), Lock Washer (2), Flat Washer (3) and tighten with Open Wrench (4) as picture shown. Do not fully tighten.

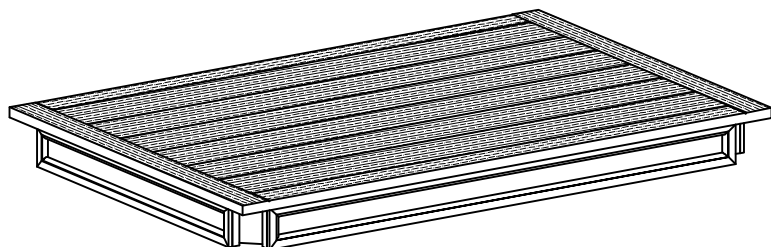


**Step 2** : Turn the Table to upright position on flat surface and adjust table legs until level and table does not wobble. Fully tighten all Hex Nuts at this time. Assembly product is now completed.

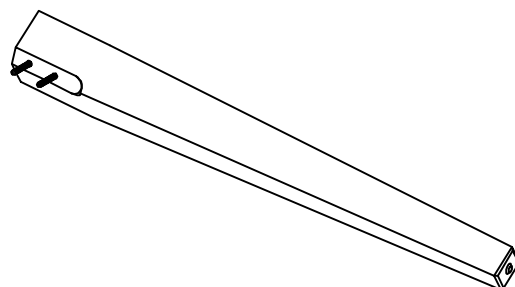


## PART LIST

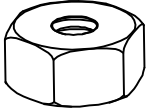
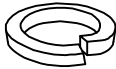
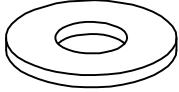
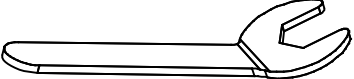
(A) TABLE TOP  
(1PC)

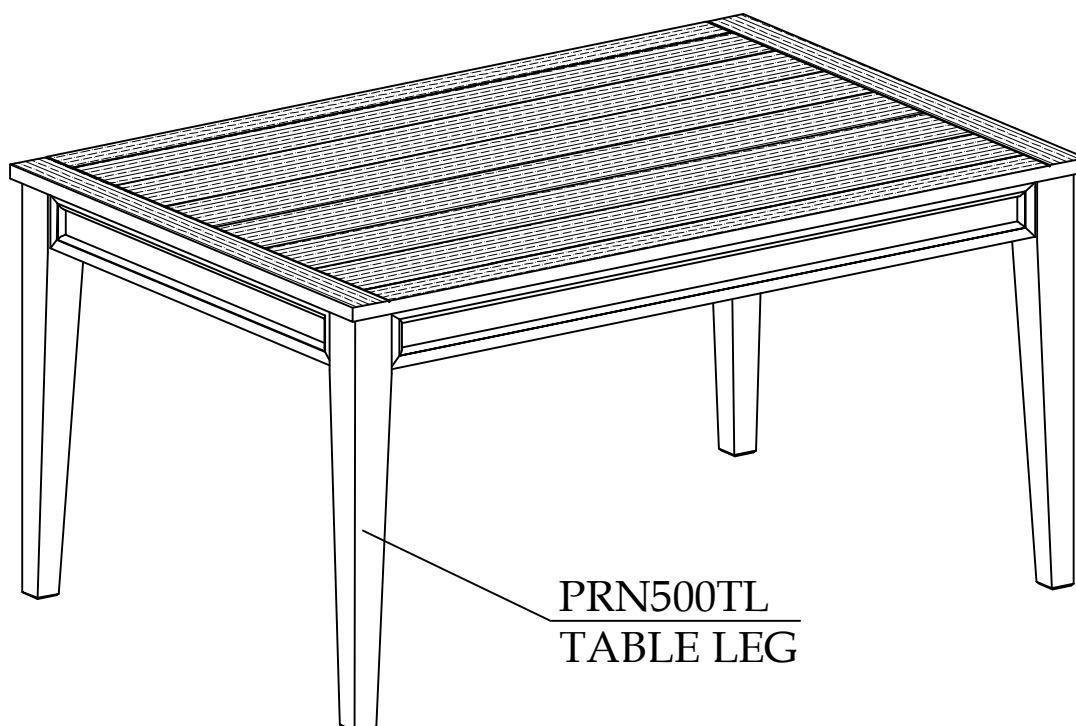


(B) TABLE LEG  
(4PCS)



## HARDWARE PACK

NO.	DESCRIPTION	DIMENSION	Q'TY
1	Hex Nut		$\text{Ø } 5/16'' \times 12 \text{ mm}$ 8 pcs
2	Lock Washer		$\text{Ø } 5/16'' \times 13 \text{ mm}$ 8 pcs
3	Flat Washer		$\text{Ø } 5/16'' \times 19 \text{ mm}$ 8 pcs
4	Open Wrench		12 mm 1 pc

**COMPLETE HARDWARE # :****PRODUCT DETAILS**

TOP	MDF / ACACIA VENEER
APRON	RUBBER WOOD/ MANGO WOOD
LEGS	MANGO WOOD
PRODUCT SIZE	59.5" x 40" x 30"H
CARTON SIZE	63.19" x 43.5" x 6.89"H
NET WEIGHT	79.64 LBS
GROSS WEIGHT	90.2 LBS
CU.FT.	10.96'