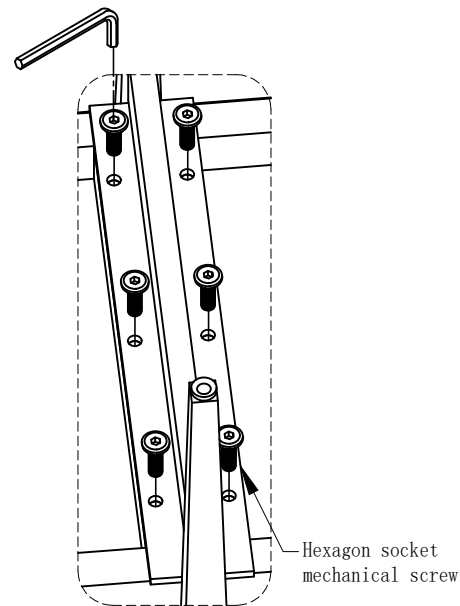
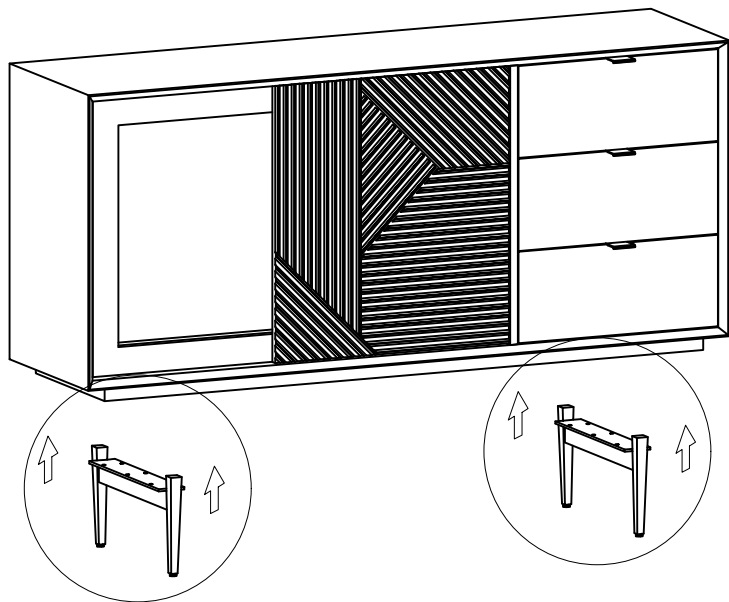
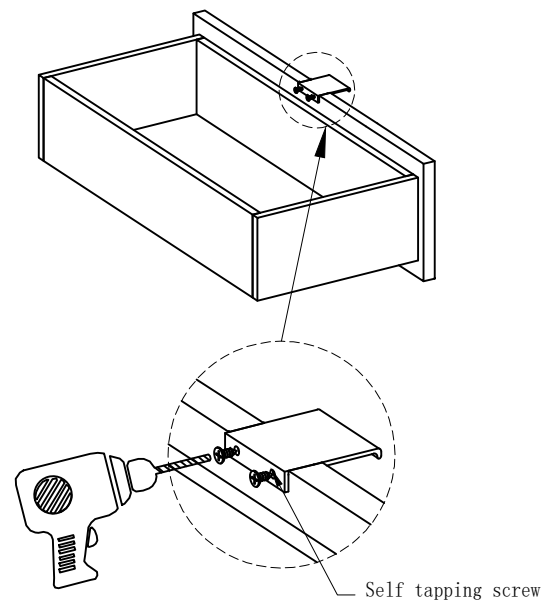
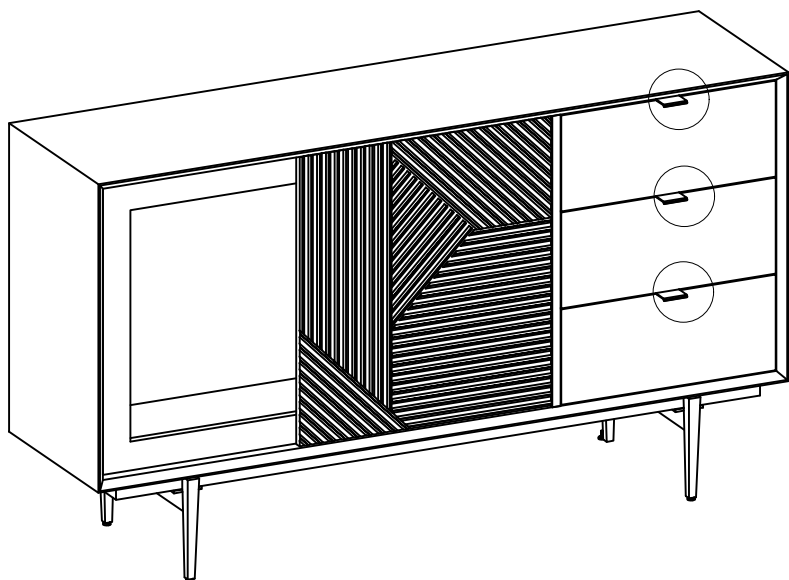


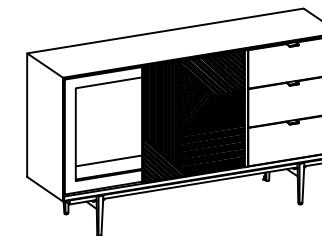
1. Put the cabinet upside down or on its side, put the metal feet on the corresponding position of the bottom frame of the cabinet, align the hole position and insert the hexagon socket head screw, and tighten it with a wrench.



2. Installation of drawer handle : place the handle in the groove position of the drawer panel, place a self tapping screw in the hole position, and use an electric drill or screwdriver to screw in the self tapping screw.






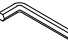
Installation instruction



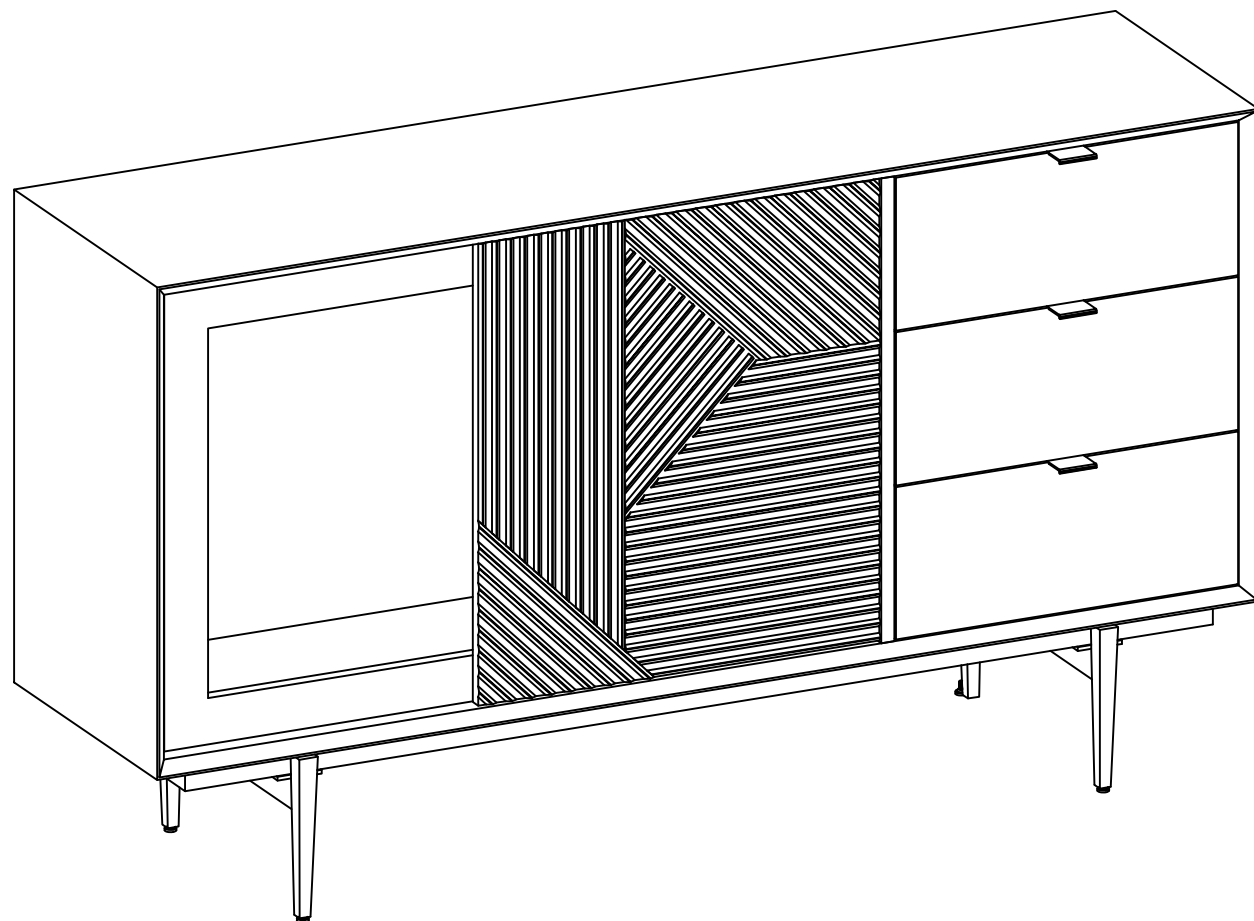
SBT8037AB150 Installation

The number of people needed for installation: 2

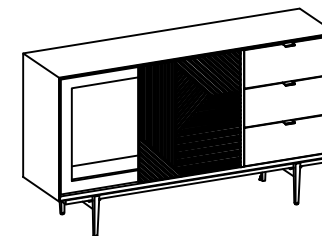
- ① Please read the manual carefully before installing this product. And strictly follow the installation process
- ② Please take good care of this manual for your next installation
- ③ Note: Before installation, screw all the screws to 1/2 of the length of the installation. After all screws are half screwed in, tighten them all together.

Parts list		On a red ribbon are furniture installation accessories		
Serial number	Shape	Name	Quantity required for installation	Spare quantity
A		Hexagon socket mechanical screw (M6*15mm)	12	2
B		Handle	3	0
C		Self tapping screw (M4*12mm)	6	2
D		Wrench	1	0
E				
F				
G				

3. The installation is complete







Installation instruction



SBT8037AB150 Installation

The number of people needed for installation: 2

- ① Please read the manual carefully before installing this product. And strictly follow the installation process
- ② Please take good care of this manual for your next installation
- ③ Note: Before installation, screw all the screws to 1/2 of the length of the installation. After all screws are half screwed in, tighten them all together.

Parts list		On a red ribbon are furniture installation accessories		
Serial number	Shape	Name	Quantity required for installation	Spare quantity
A		Hexagon socket mechanical screw (M6*15mm)	12	2
B		Handle	3	0
C		Self tapping screw (M4*12mm)	6	2
D		Wrench	1	0
E				
F				
G				