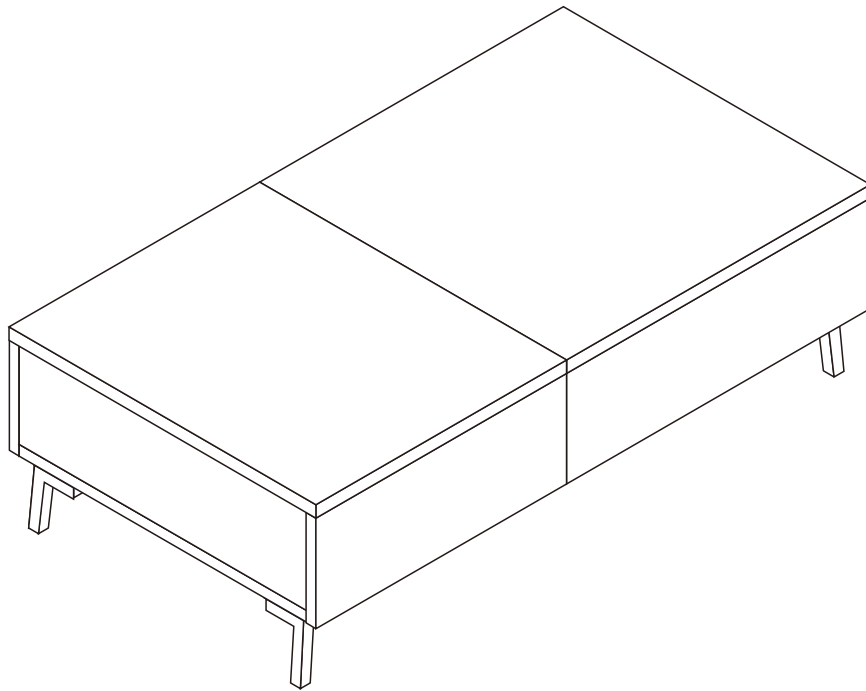


Coffee Table

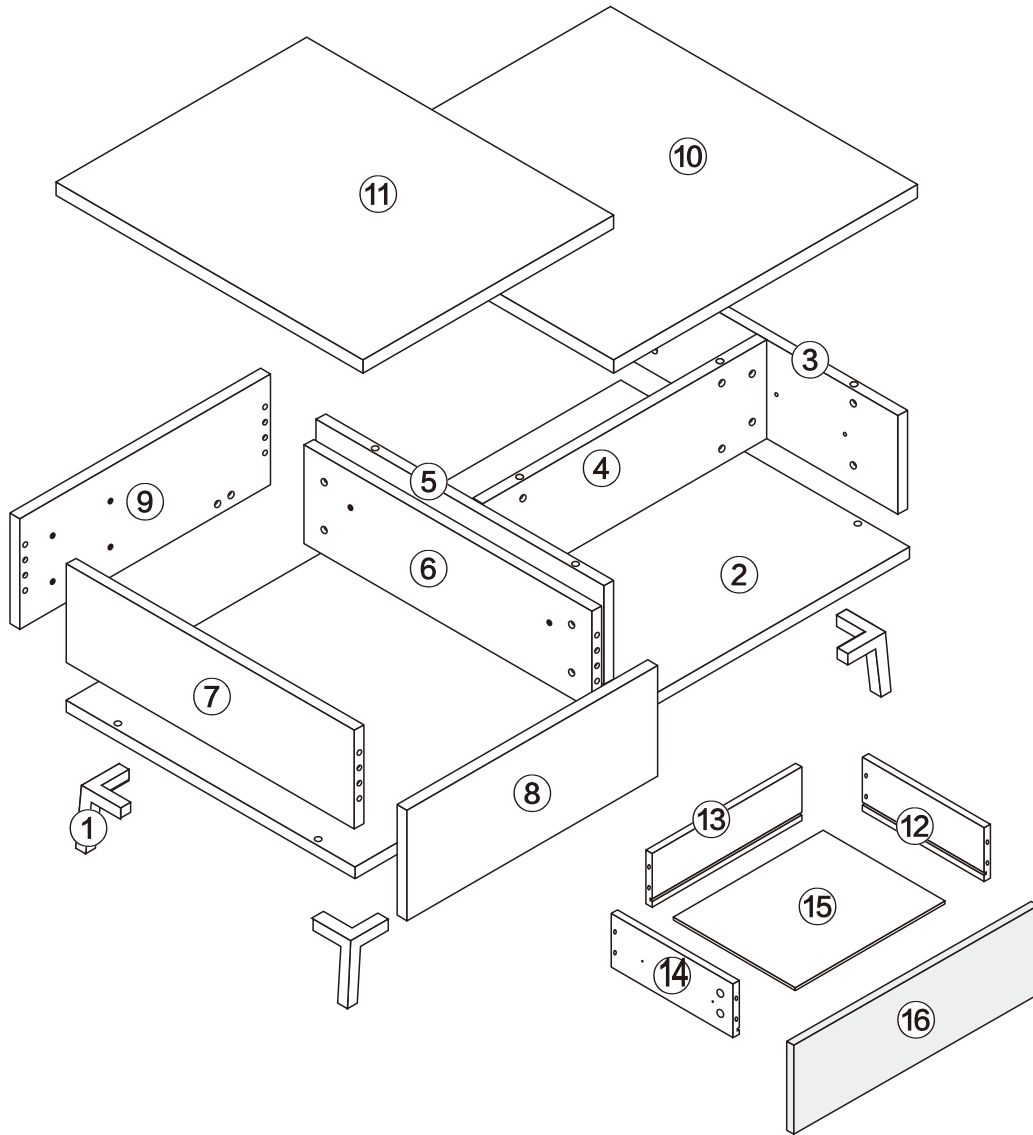


2 Persons

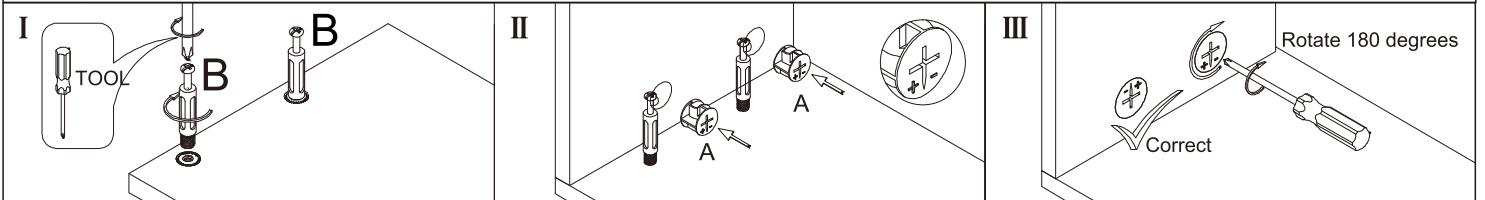
L1800/2600*W400*H350








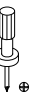



Installation Instructions

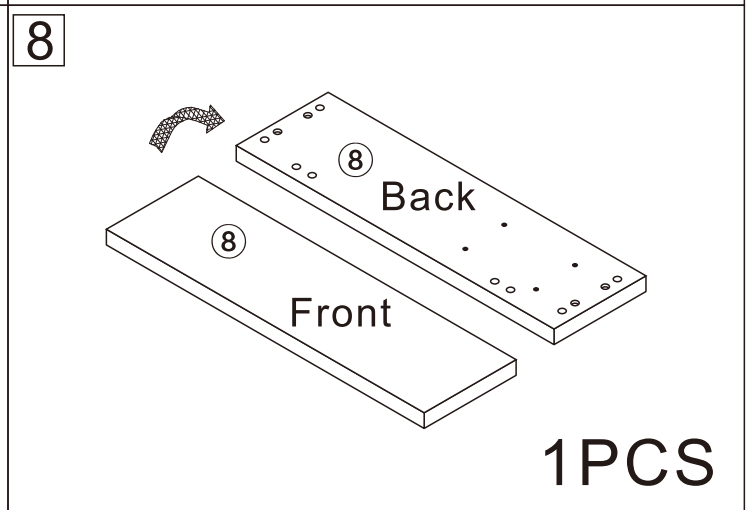
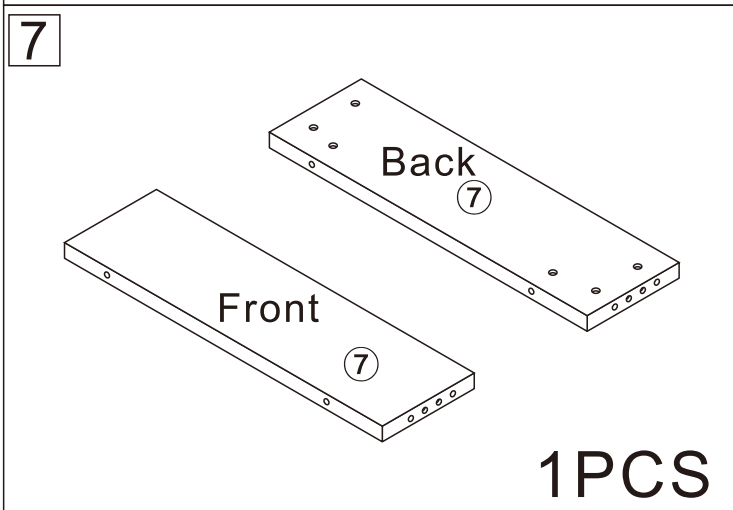
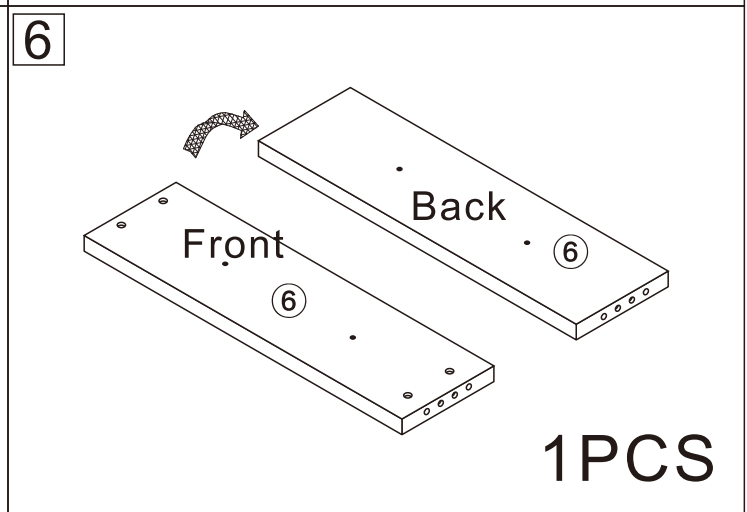
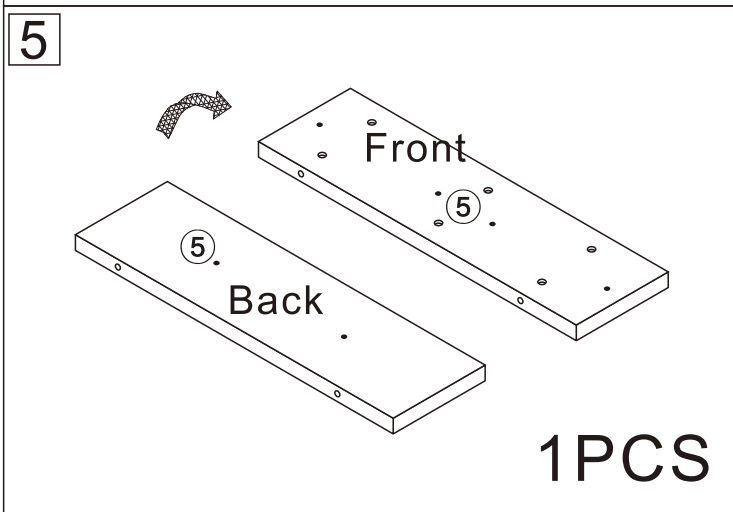
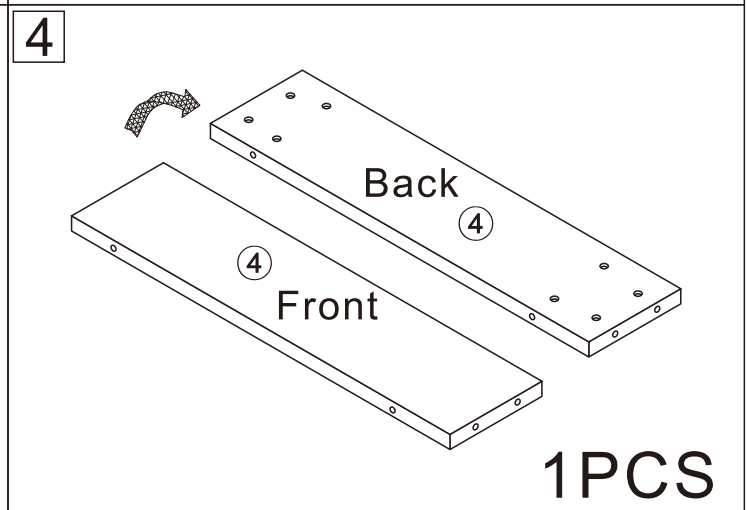
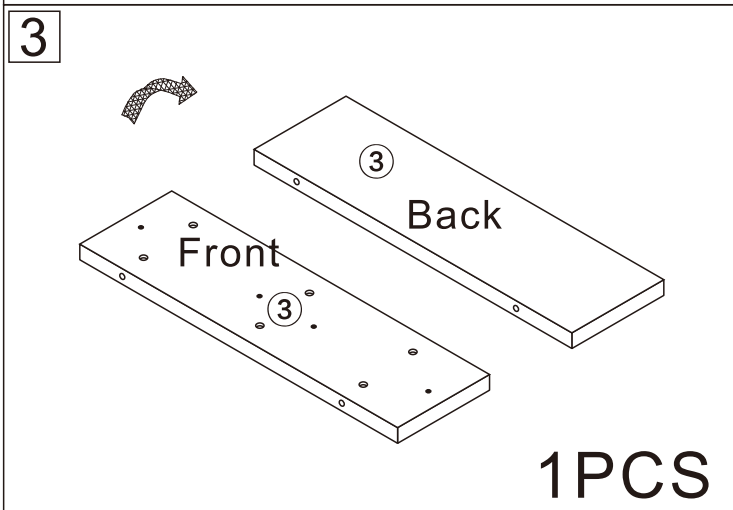
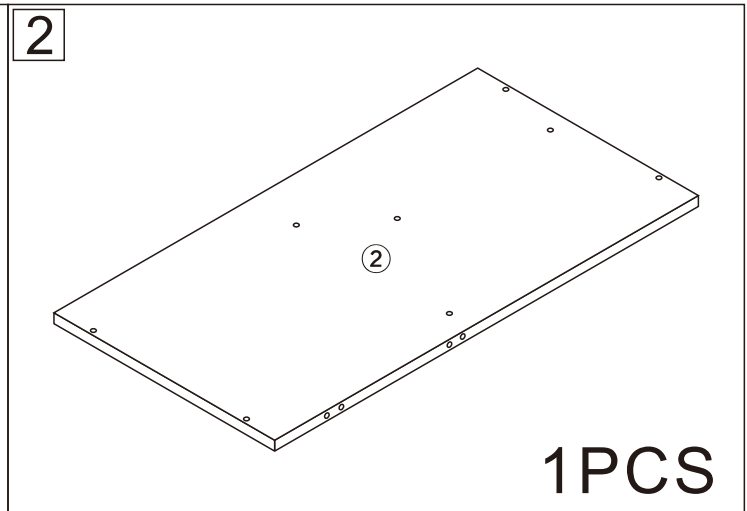
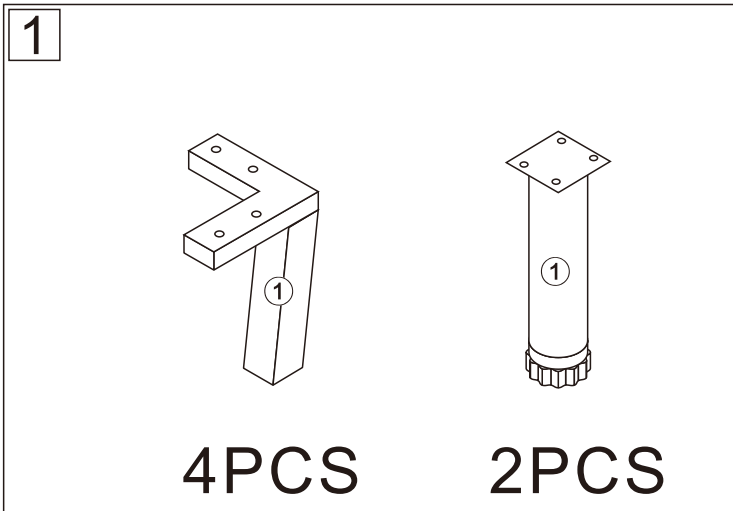
Notes: Don't tighten screws completely at first, just in case parts were assembled wrongly and need disassemble. Tighten screws at last when all parts are put together.

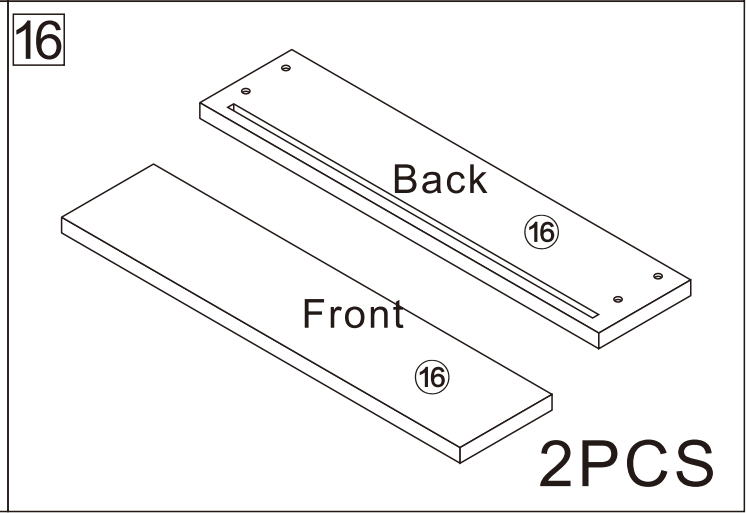
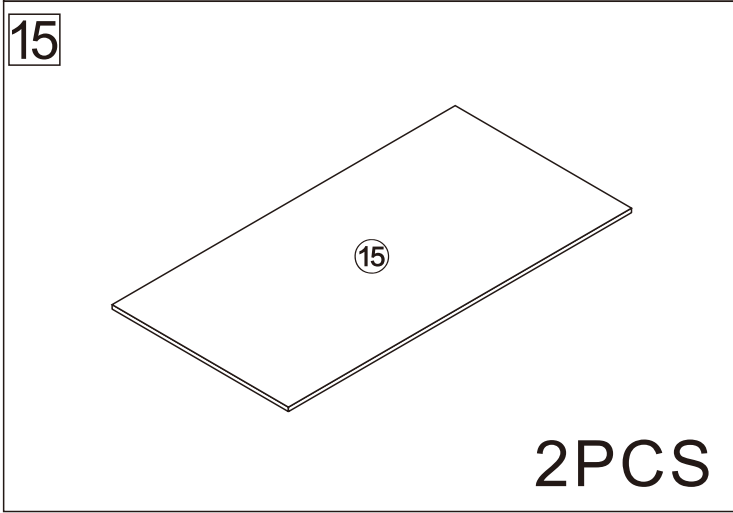
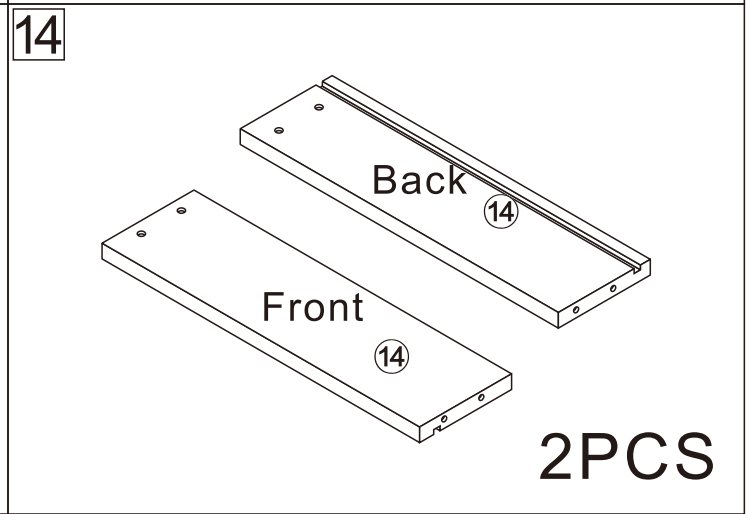
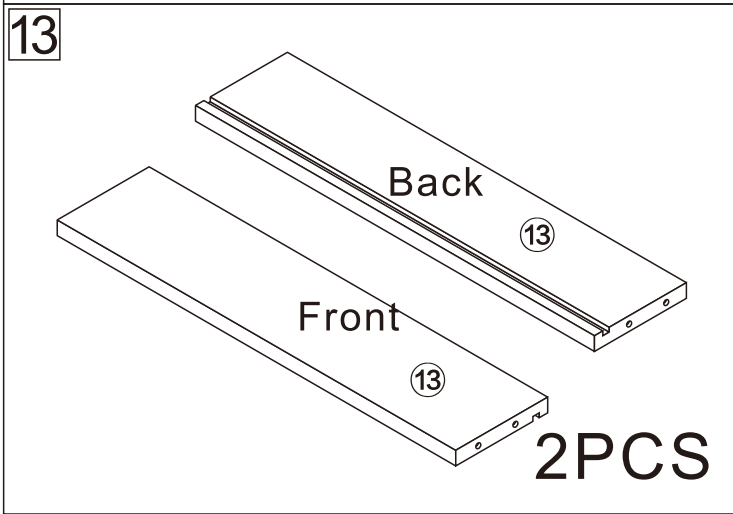
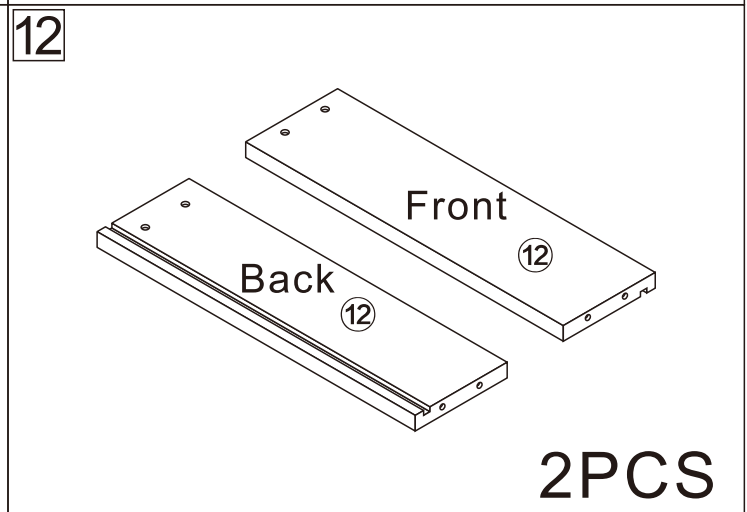
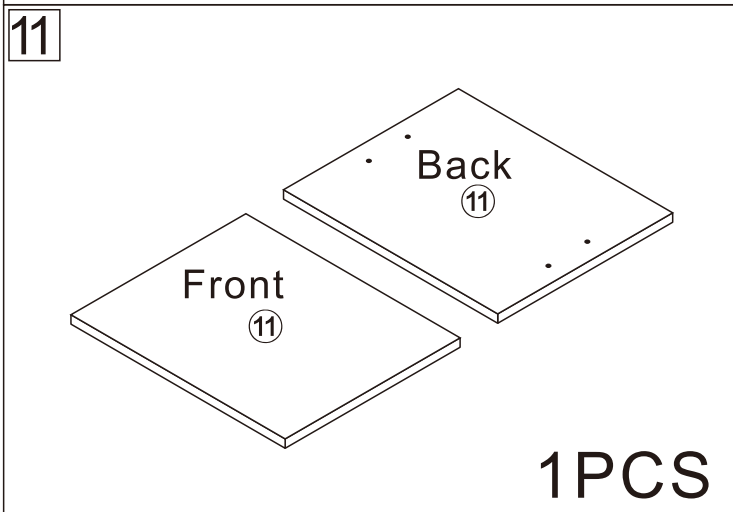
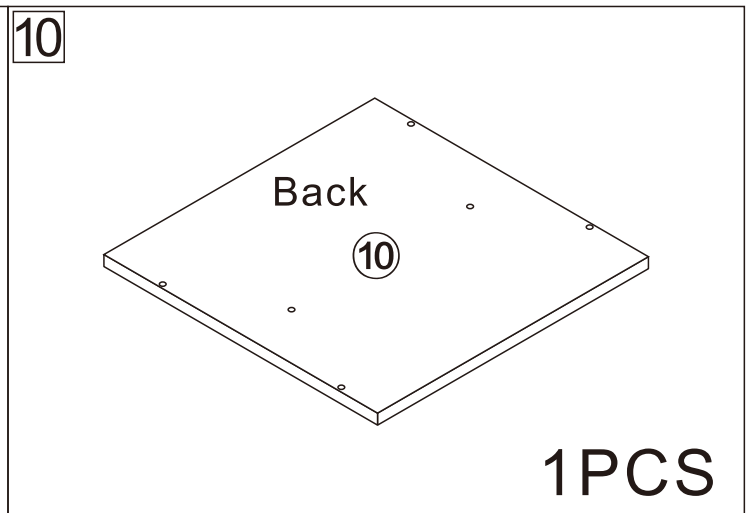
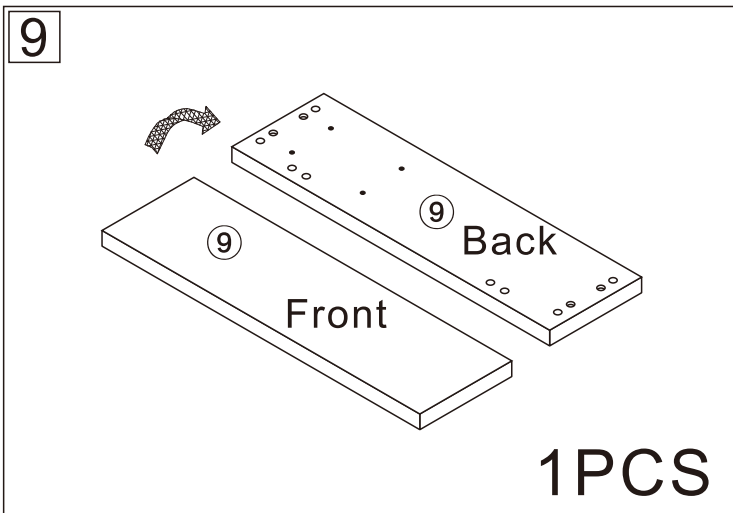


Disassembly and installation of accessories

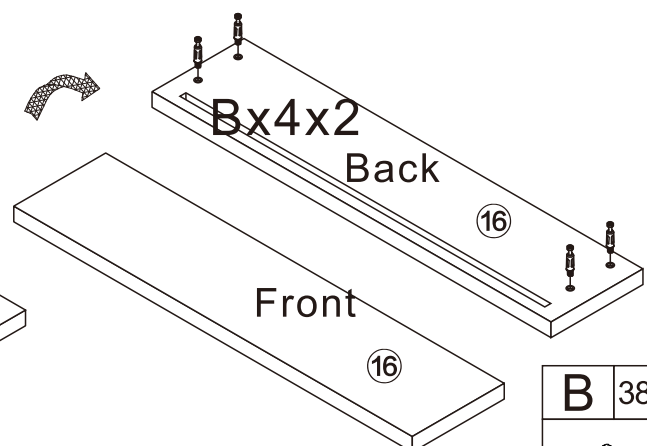
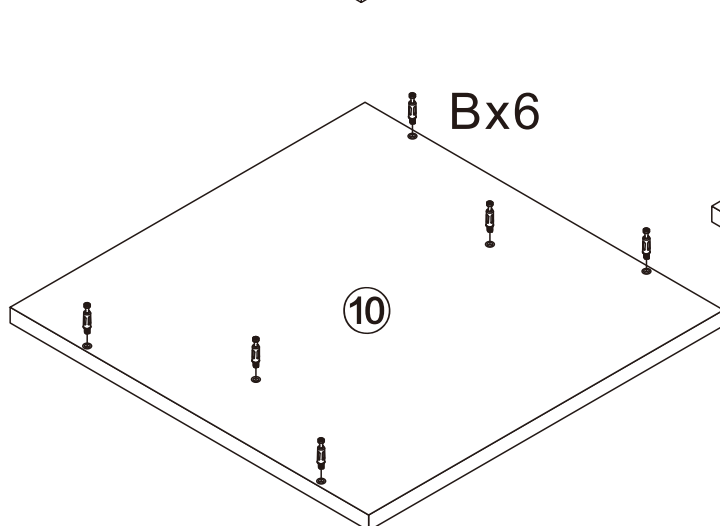
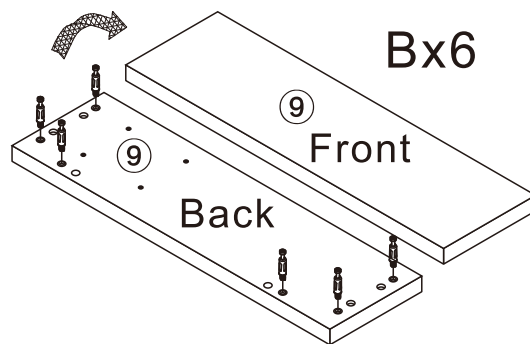
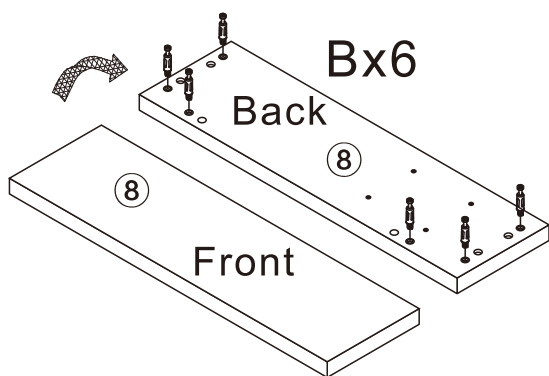
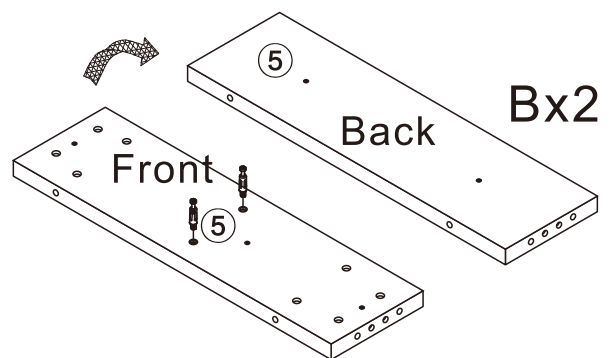
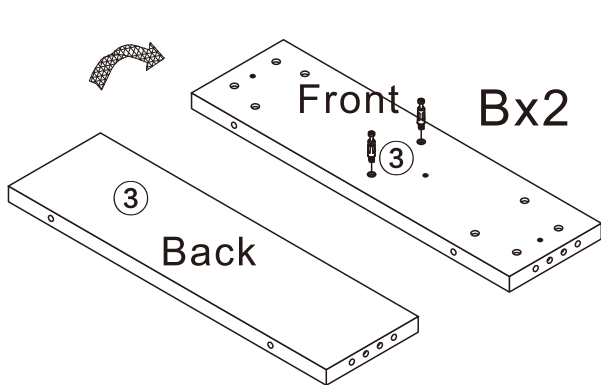
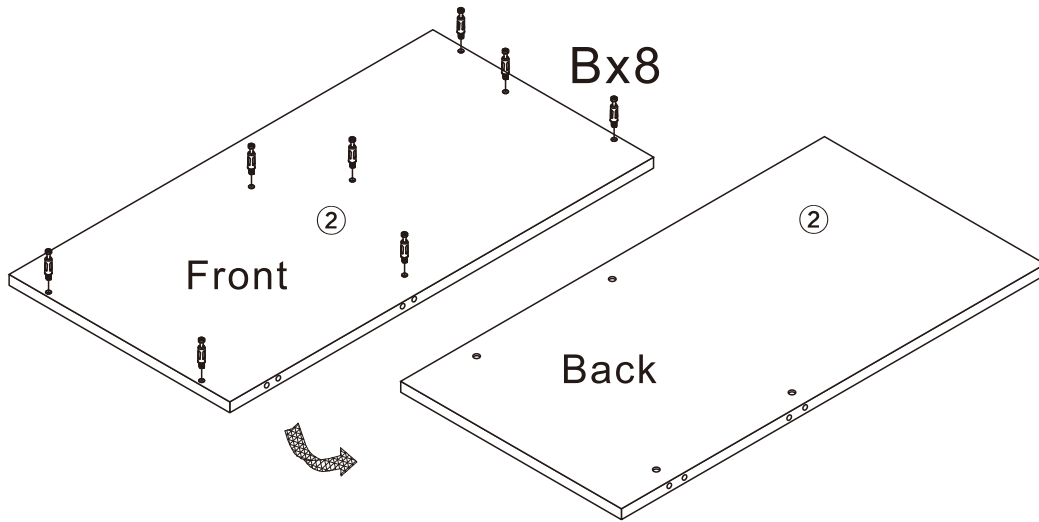



| | | | | | | | |
|--|---|---|--|--|---|--|--|
| A 38PCS  15*10mm | B 38PCS  6*28mm | C 60PCS  3.5*14mm | D 4PCS  Three-section Rail | E 8PCS  3.5*40mm | F 12PCS  | G 2PCS  6*25mm |  Tools Recommended |
| H 2PCS  | I 4PCS  | J 2PCS  | | | | | |





1



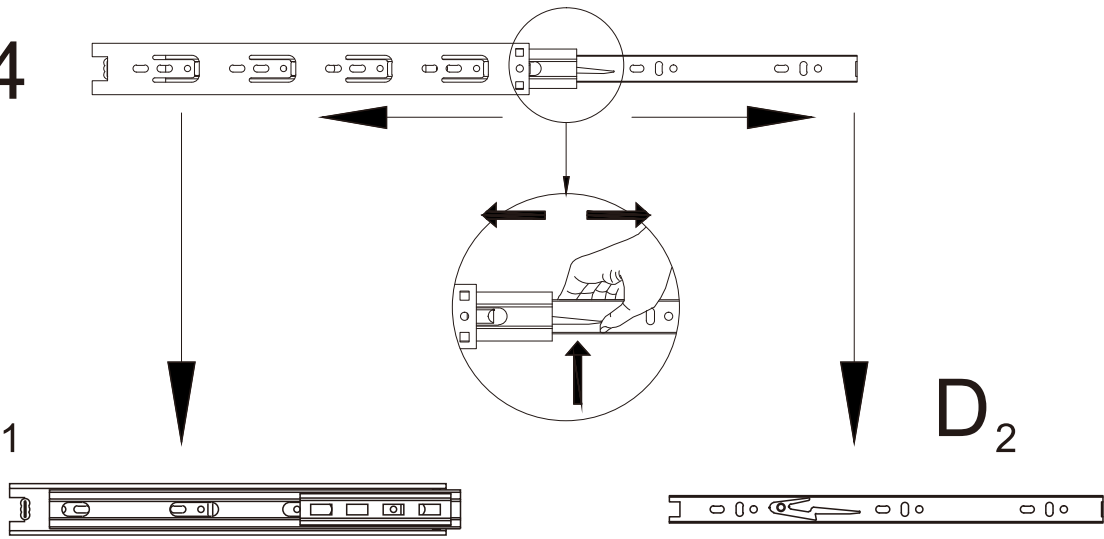
| | |
|---|-------|
| B | 38PCS |
|  | |
| 6*28mm | |


2

Dx4

D₁

D₂

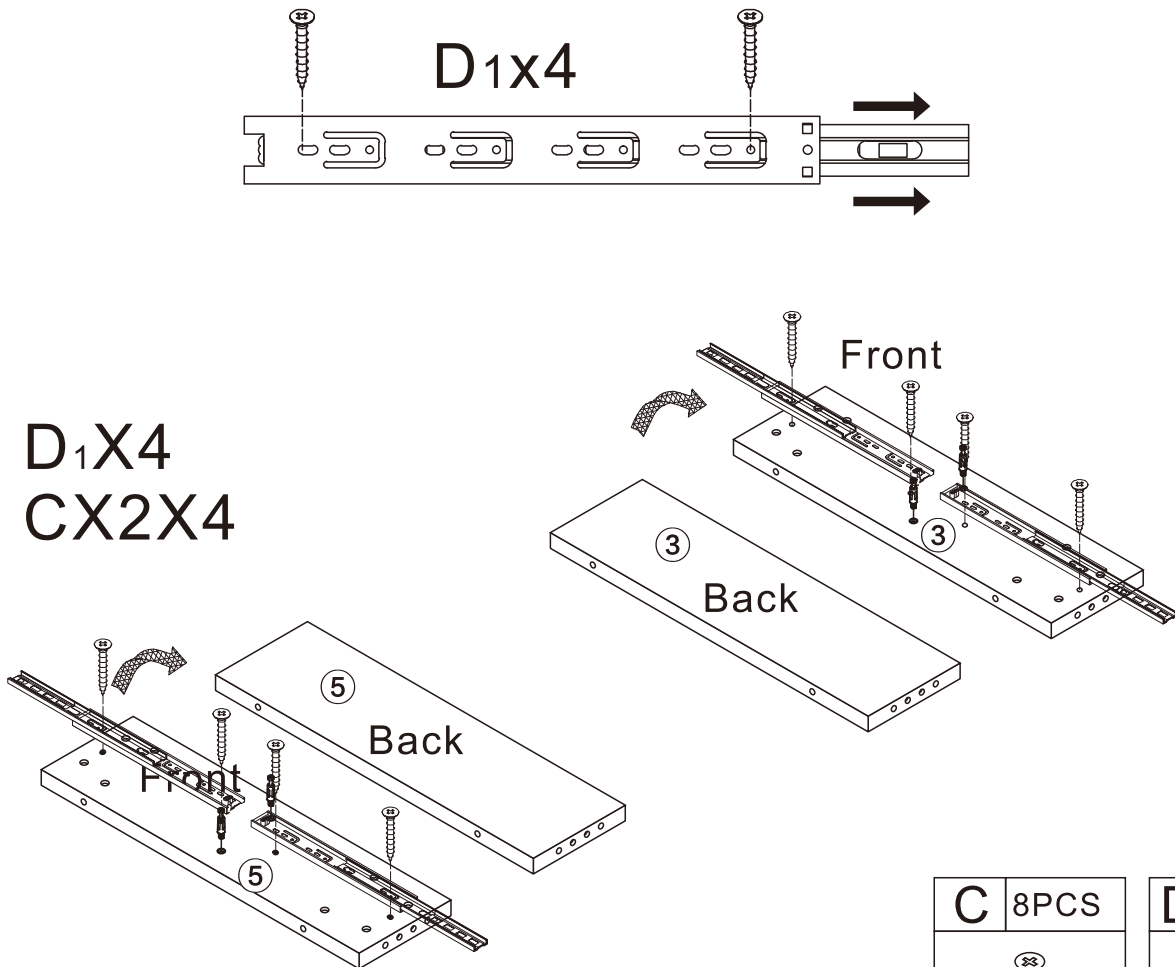



| | |
|---|------|
| D ₁ | 4PCS |
|  | |
| Three-section Rail | |


3

D₁X4

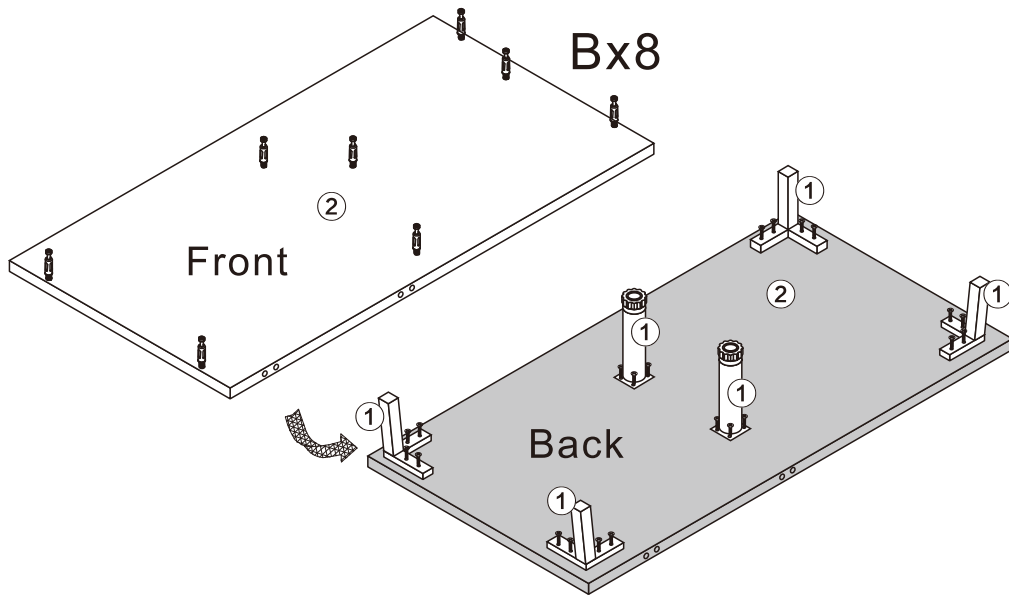
D₁X4
CX2X4






| | |
|---|------|
| C | 8PCS |
|  | |
| 3.5*14mm | |

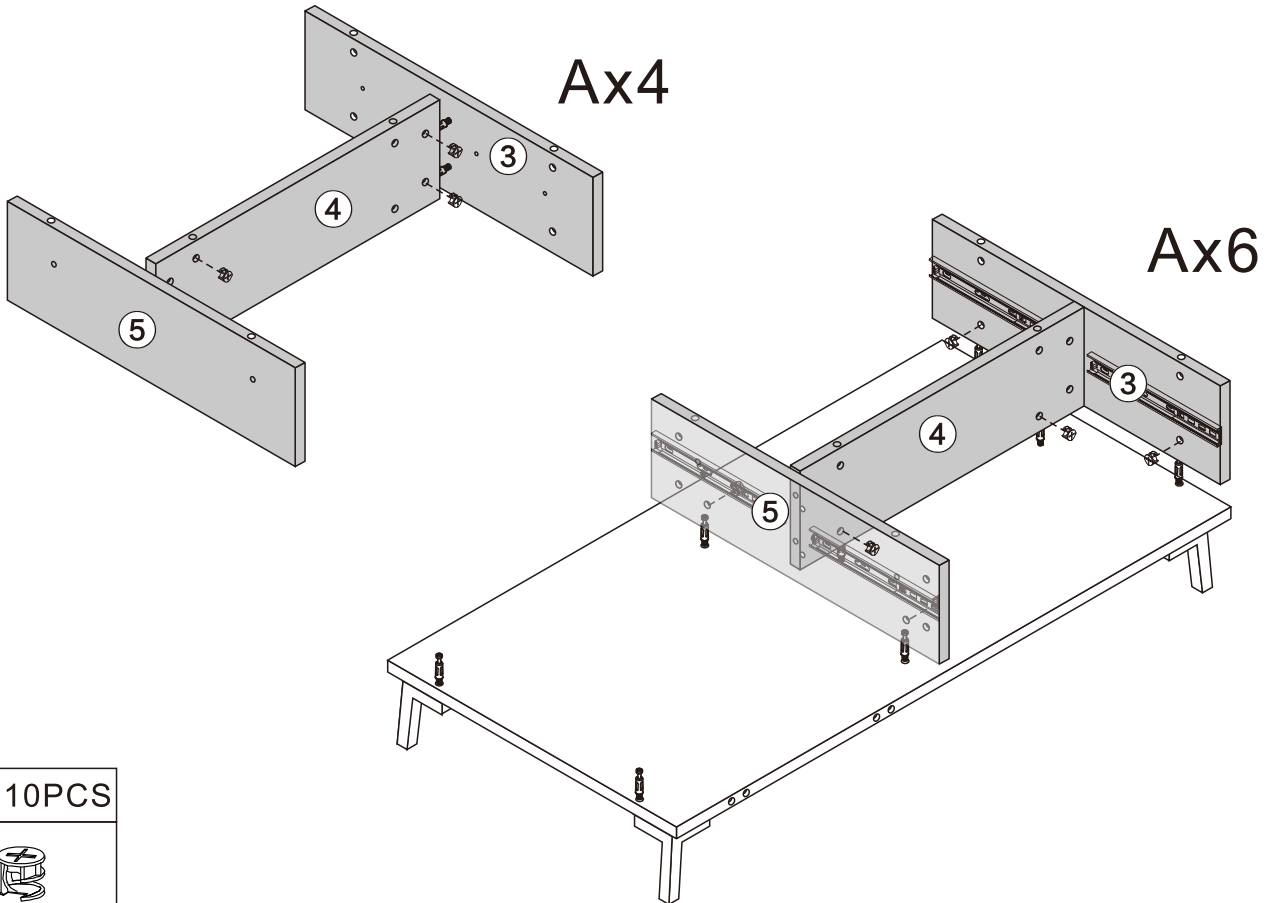
| | |
|---|------|
| D ₁ | 4PCS |
|  | |
| Three-section Rail | |


4



| | | | | | |
|--|-------|--|------|--|------|
| C | 24PCS | I | 4PCS | J | 2PCS |
|  | |  | |  | |
| 3.5*14mm | | | | | |

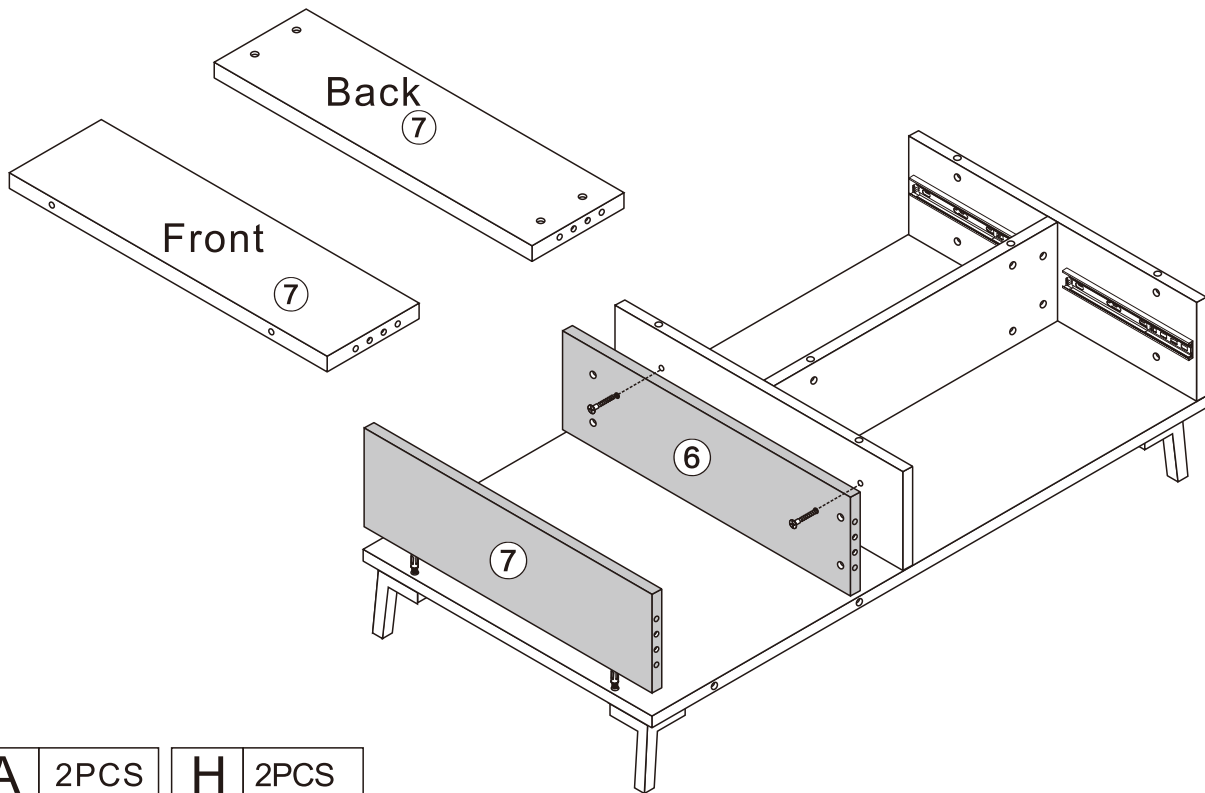
5





| | |
|---|-------|
| A | 10PCS |
|  | |
| 15*10mm | |

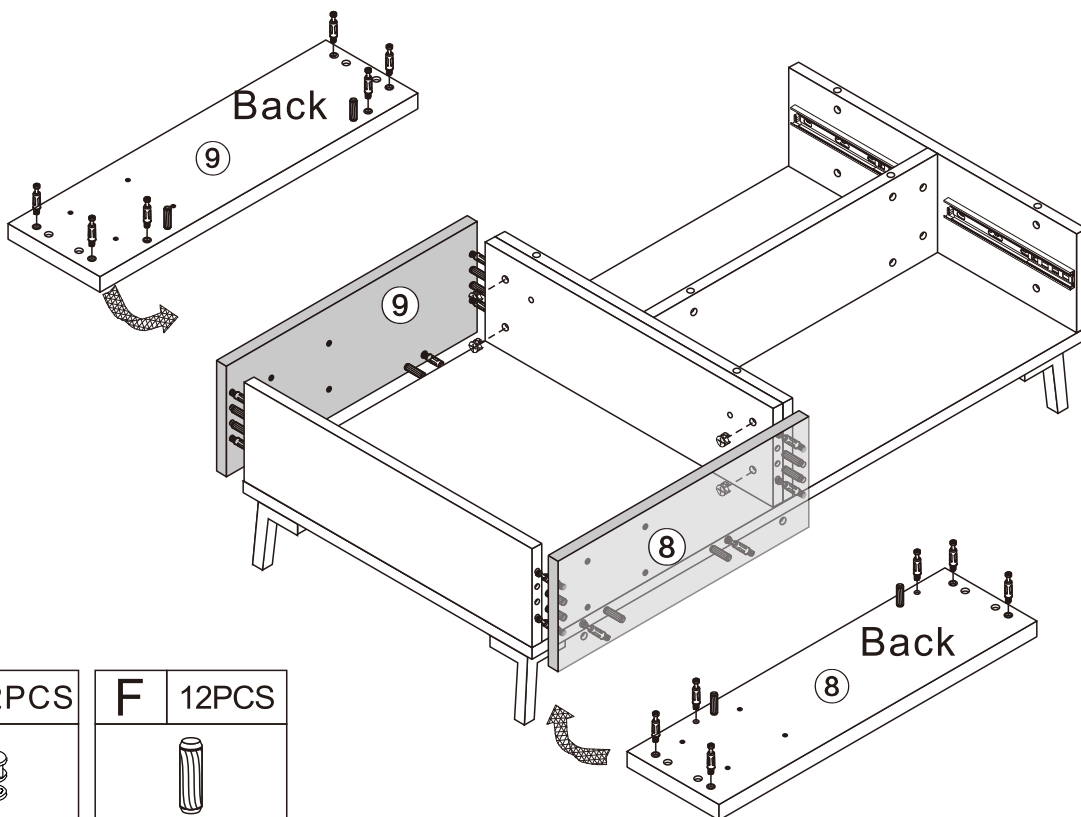
6



Ax2



| | | | |
|--|------|--|------|
| A | 2PCS | H | 2PCS |
|  | |  | |
| 15*10mm | | 6*25mm | |

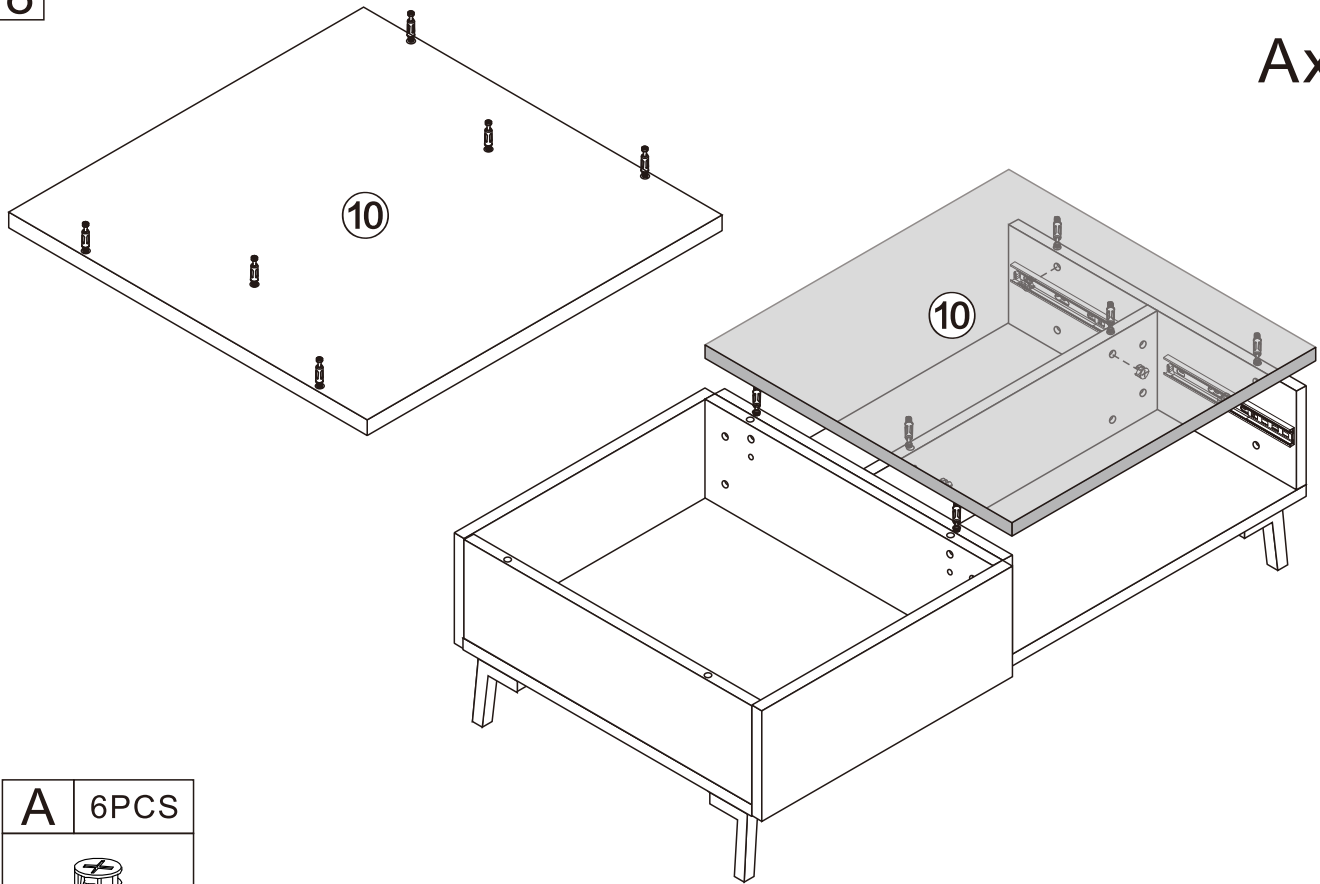
7

Ax12
Fx12

| | | | |
|---|-------|---|-------|
| A | 12PCS | F | 12PCS |
|  | |  | |
| 15*10mm | | | |

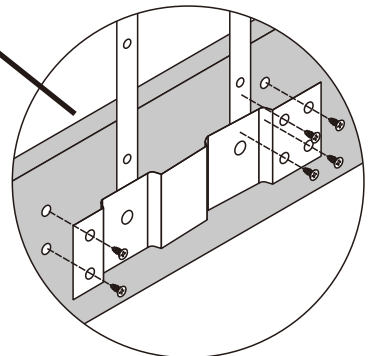
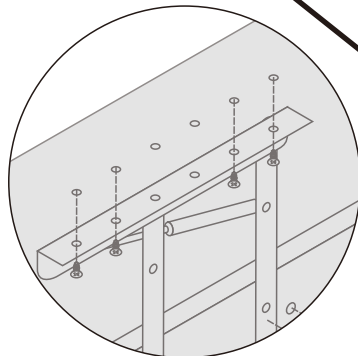
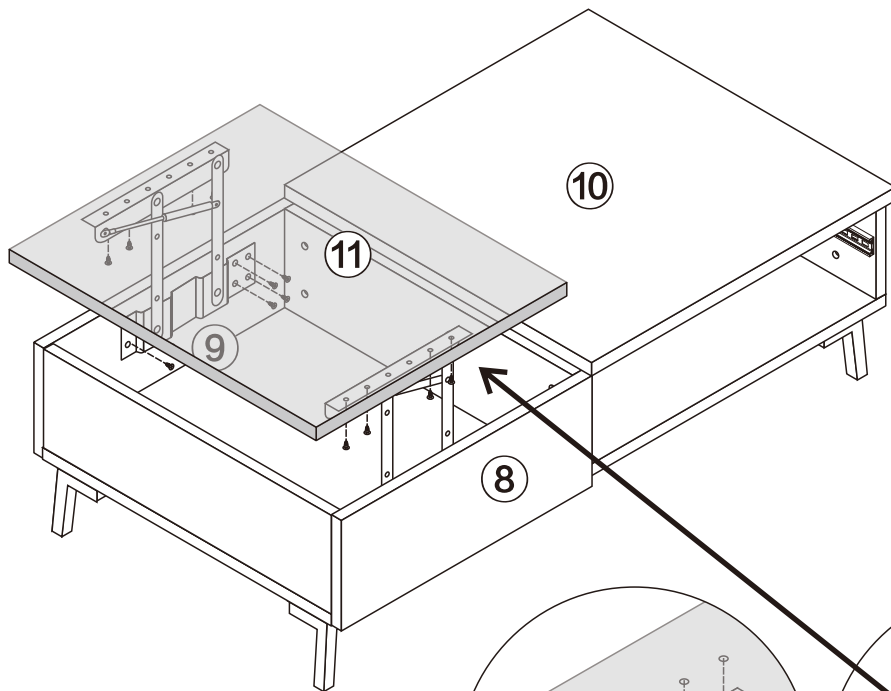
8

Ax6



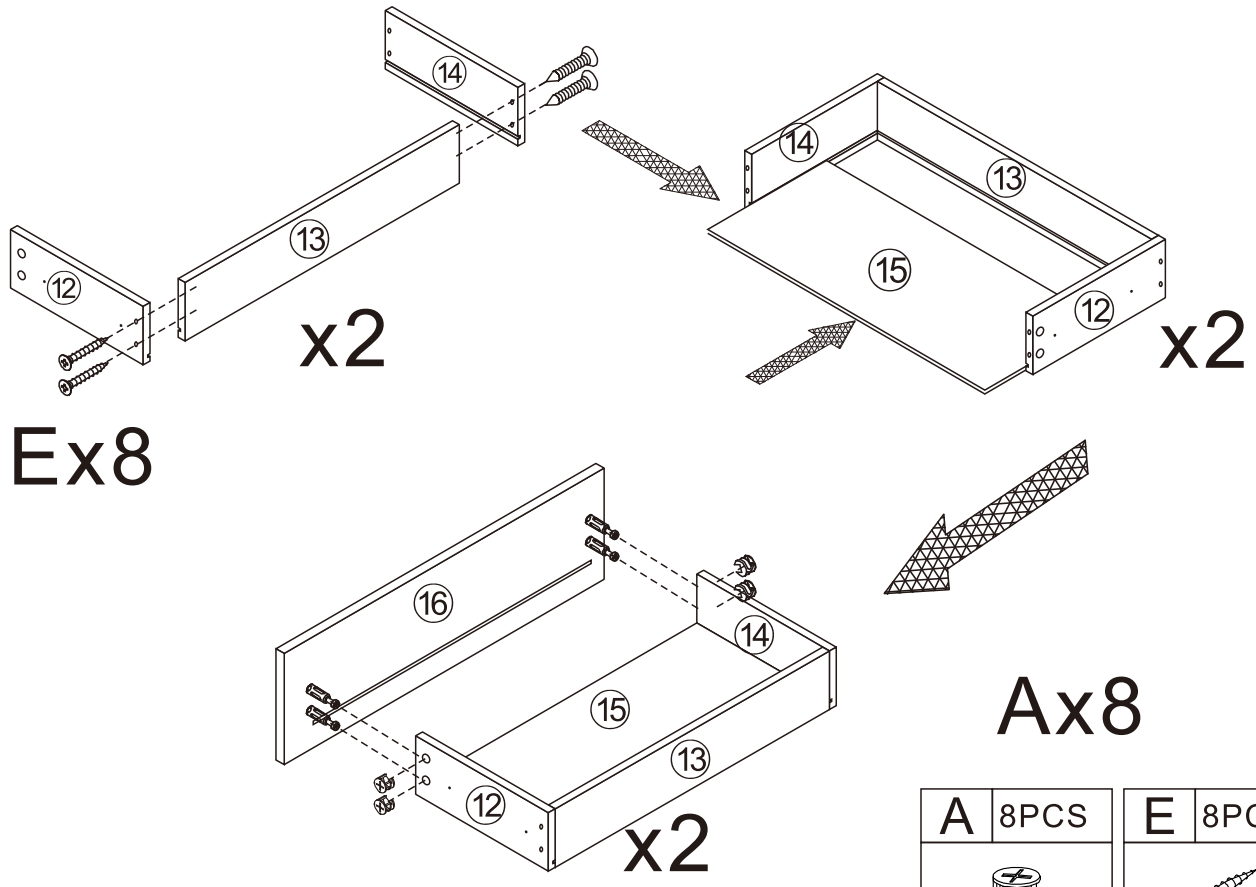
| | |
|----------|------|
| A | 6PCS |
| | |
| 15*10mm | |

9





| | | | |
|----------|-------|----------|------|
| C | 20PCS | H | 2PCS |
| | | | |
| 3.5*14mm | | | |

10

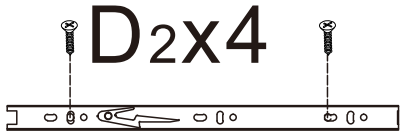


Ex8

Ax8

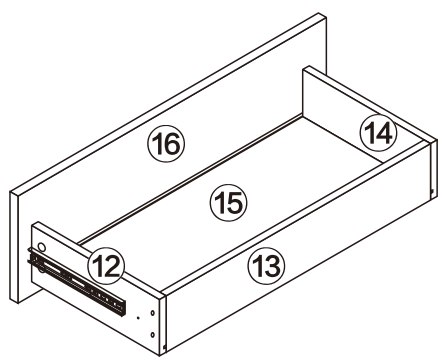
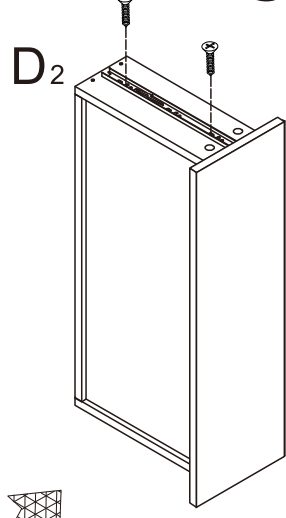
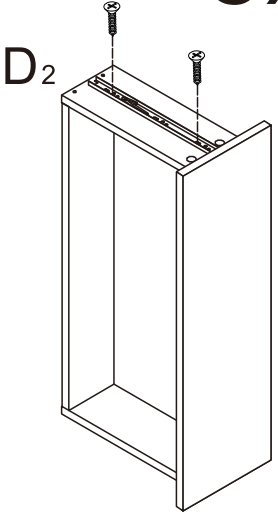
| | | | |
|--|------|--|------|
| A | 8PCS | E | 8PCS |
|  | |  | |
| 15*10mm | | 3.5*40mm | |


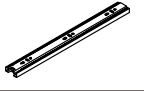
11

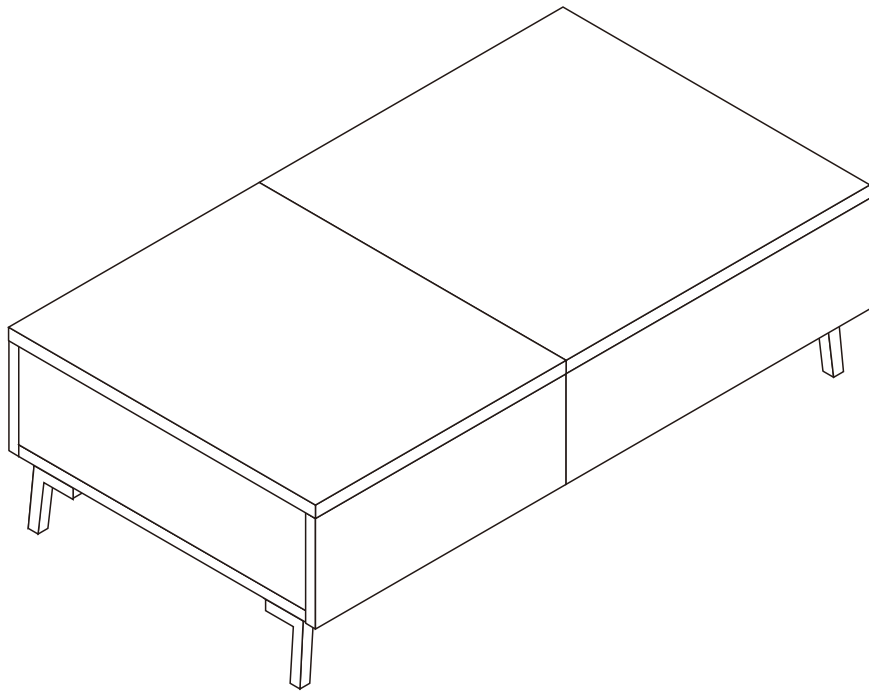
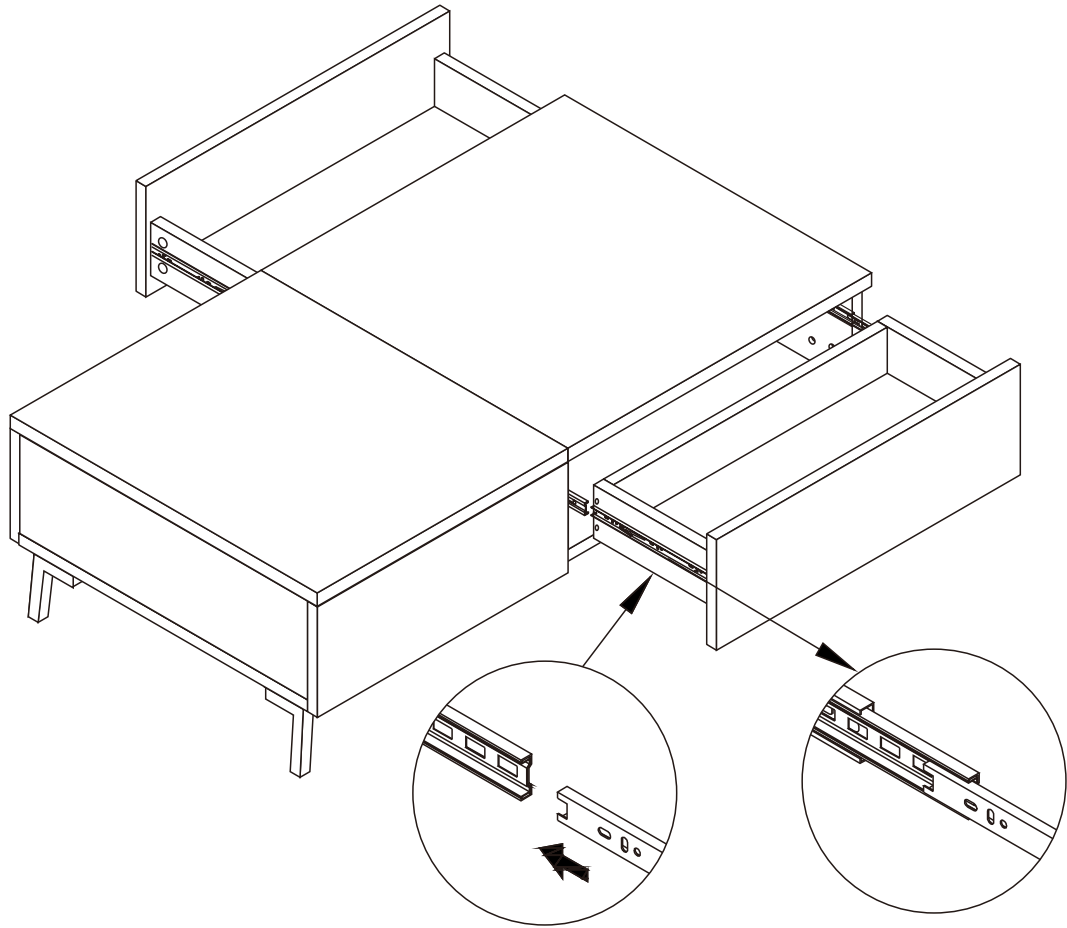


Cx4

Cx4



| | | | |
|---|------|---|------|
| C | 8PCS | D ₂ | 4PCS |
|  | |  | |
| 3.5*14mm | | Three-section Rail | |



OK