









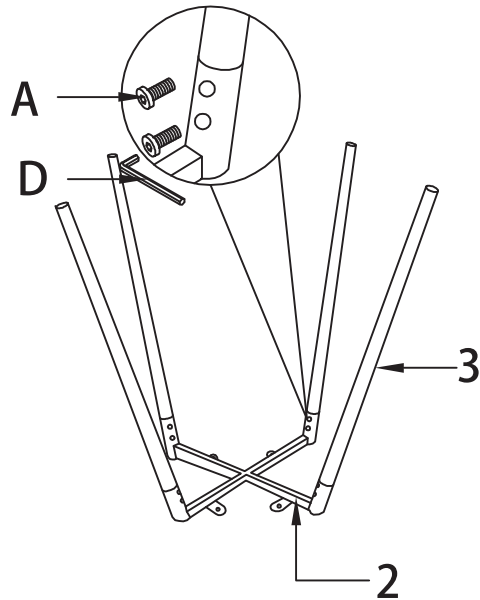


LIST OF ACCESSORIES

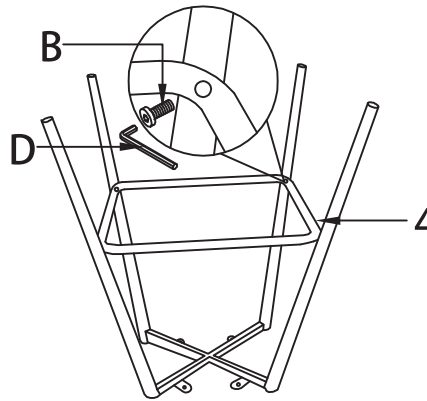
1	 1Pcs	2	 1Pcs	3	 4Pcs	4	 1Pcs				
A	 M6x13mm 8Pcs	B	 M6x20mm 4Pcs	C	 4Pcs	D	 1Pcs	E	 M6x25mm 4Pcs	F	 4Pcs

ASSEMBLING STEPS

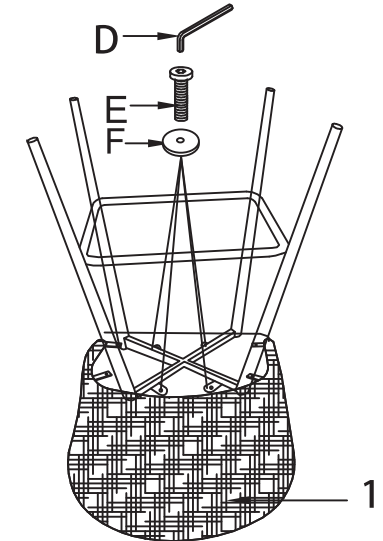
①



②



③

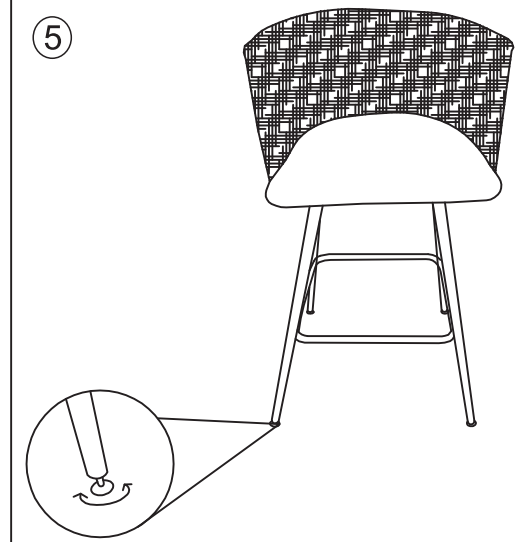


④



Place Chair on a totally flat surface and Re-tighten bolts again with 100% of required torque until all screws do not turn anymore

⑤



The four black plastic feet are adjusted, you can turn them and adjust its height to help to make the chair stable