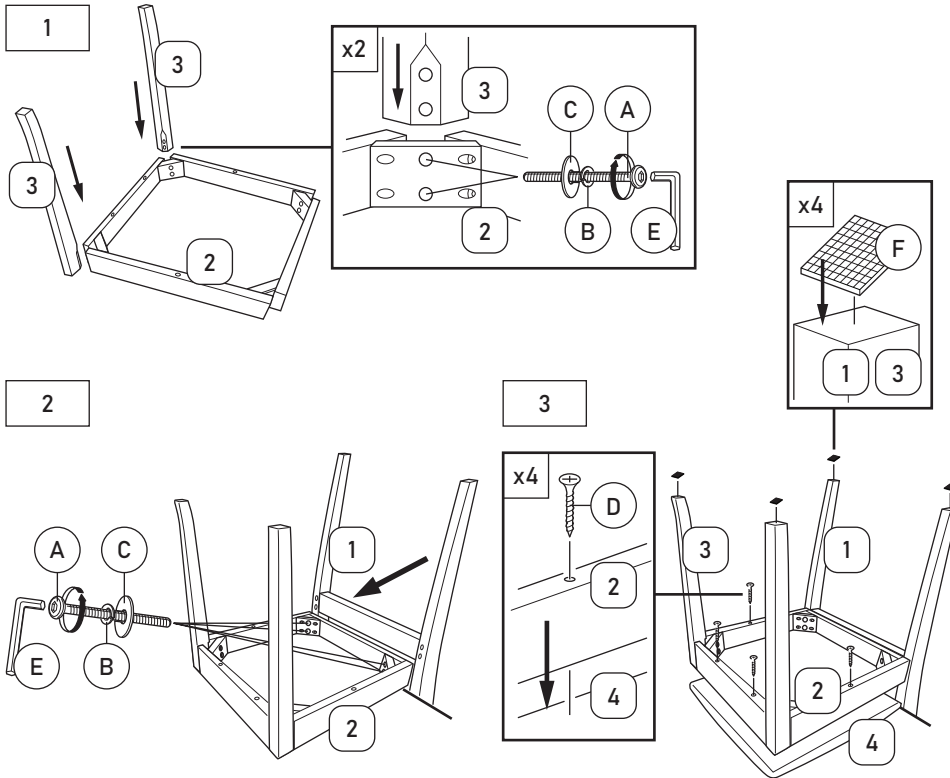



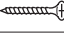




ASSEMBLY INSTRUCTION

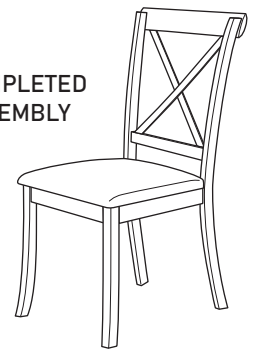
Important note: - Place all wooden part on a clean and smooth surface such as rug or carpet to avoid the part from being scratch.
 - Please follow the assembly instruction step by step.
 - Do not tighten all screw until the chair is fully set-up.



No	Hardware List	Qty.
A	JCBC M6 x 70mm 	16 pcs
B	M6 Spring Washer 	16 pcs
C	M6 Flat Washer 	16 pcs
D	CSK M4 x 32mm 	8 pcs
E	M4 Allen Key 	1 pc
F	Stopper 	8 pcs

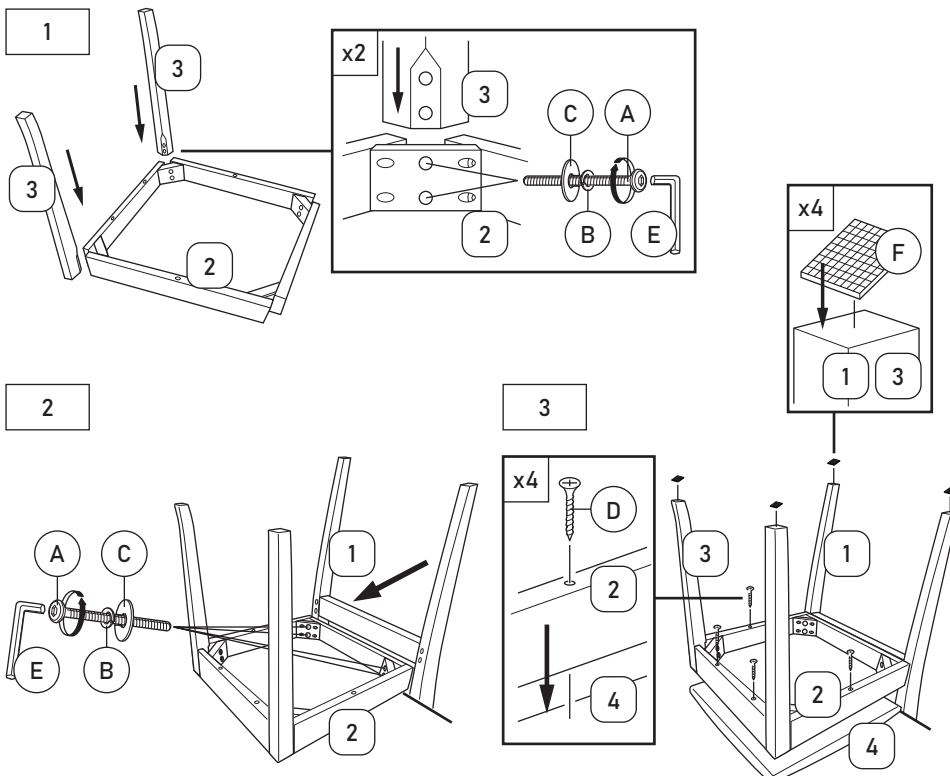
No	Part List	Qty.
1	Backrest	2 pcs
2	Box Seat	2 pcs
3	Front Leg	4 pcs
4	Wooden Slat / Cushion	2 pcs

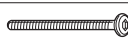





COMPLETED ASSEMBLY



ASSEMBLY INSTRUCTION

Important note: - Place all wooden part on a clean and smooth surface such as rug or carpet to avoid the part from being scratch.
 - Please follow the assembly instruction step by step.
 - Do not tighten all screw until the chair is fully set-up.



No	Hardware List	Qty.
A	JCBC M6 x 70mm 	16 pcs
B	M6 Spring Washer 	16 pcs
C	M6 Flat Washer 	16 pcs
D	CSK M4 x 32mm 	8 pcs
E	M4 Allen Key 	1 pc
F	Stopper 	8 pcs

No	Part List	Qty.
1	Backrest	2 pcs
2	Box Seat	2 pcs
3	Front Leg	4 pcs
4	Wooden Slat / Cushion	2 pcs

COMPLETED ASSEMBLY

