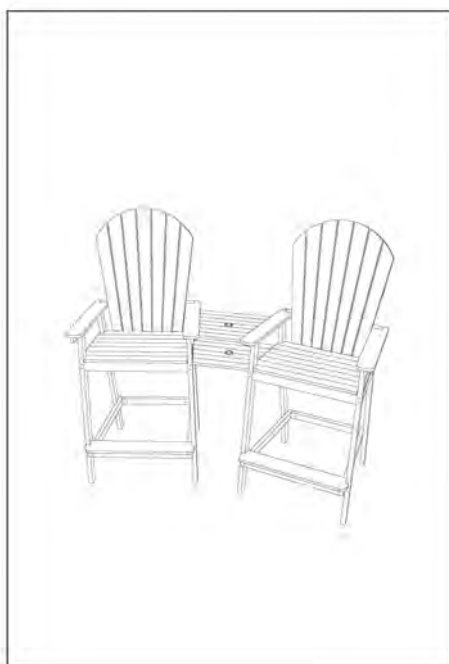


Tall Adirondack Chairs



Garden Chairs

IMPORTANT, RETAIN FOR FUTURE REFERENCE: READ CAREFULLY

Only for domestic use

Use tips:

- *Put the chair stably on a flat floor.
- *Mount the garden chairs in the shelter of the weather.
- *Stay away from open flames.
- *Don't hang anything in the structure.
- *Avoid the overload at the anchors/structure.
- *It is advised that don't stay on the chairs when there is a storm.
- *It is recommended to protect in case of strong wind or rain and in your absence.

Precautions before assembly:

- *Prepare a clean and dry mounting area.
- *Verify that the product is not damaged.
- *Check that none of the pieces are missing.

Maintenance:

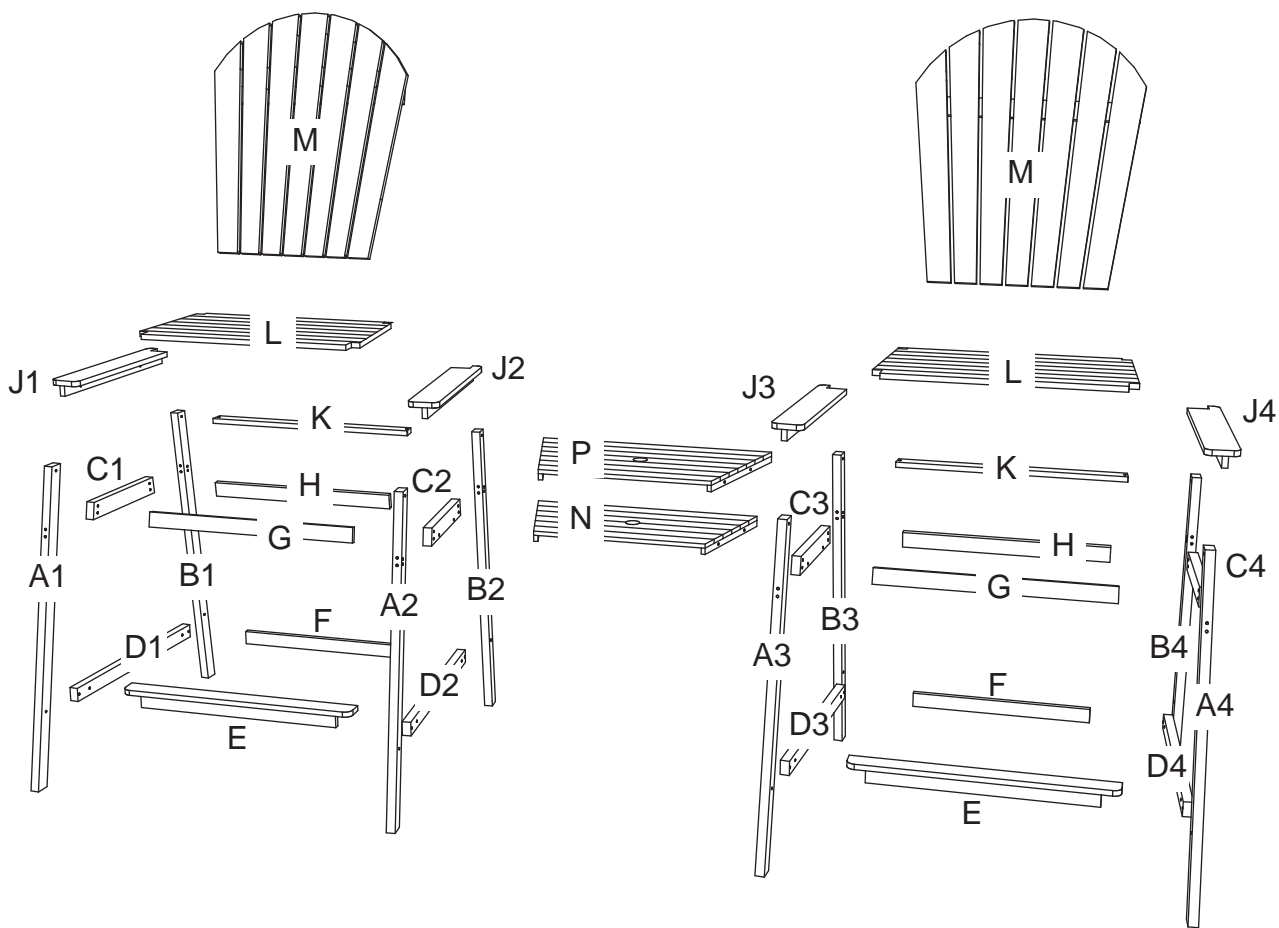
- *Clean with a soft fabric.
- *Regularly remove leaves and / or water collected on the canvas.
- *Check the chair regularly.

Storage conditions:



























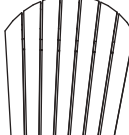
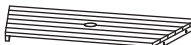

*The fabric should be stored completely dry, in a clean and dry place to avoid the risks of mold.

Caution with the risks of pinching or cuts during assembly.








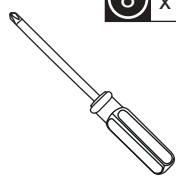
The manufacturer declines all responsibility in case of damages due to a bad installation or due to weather.

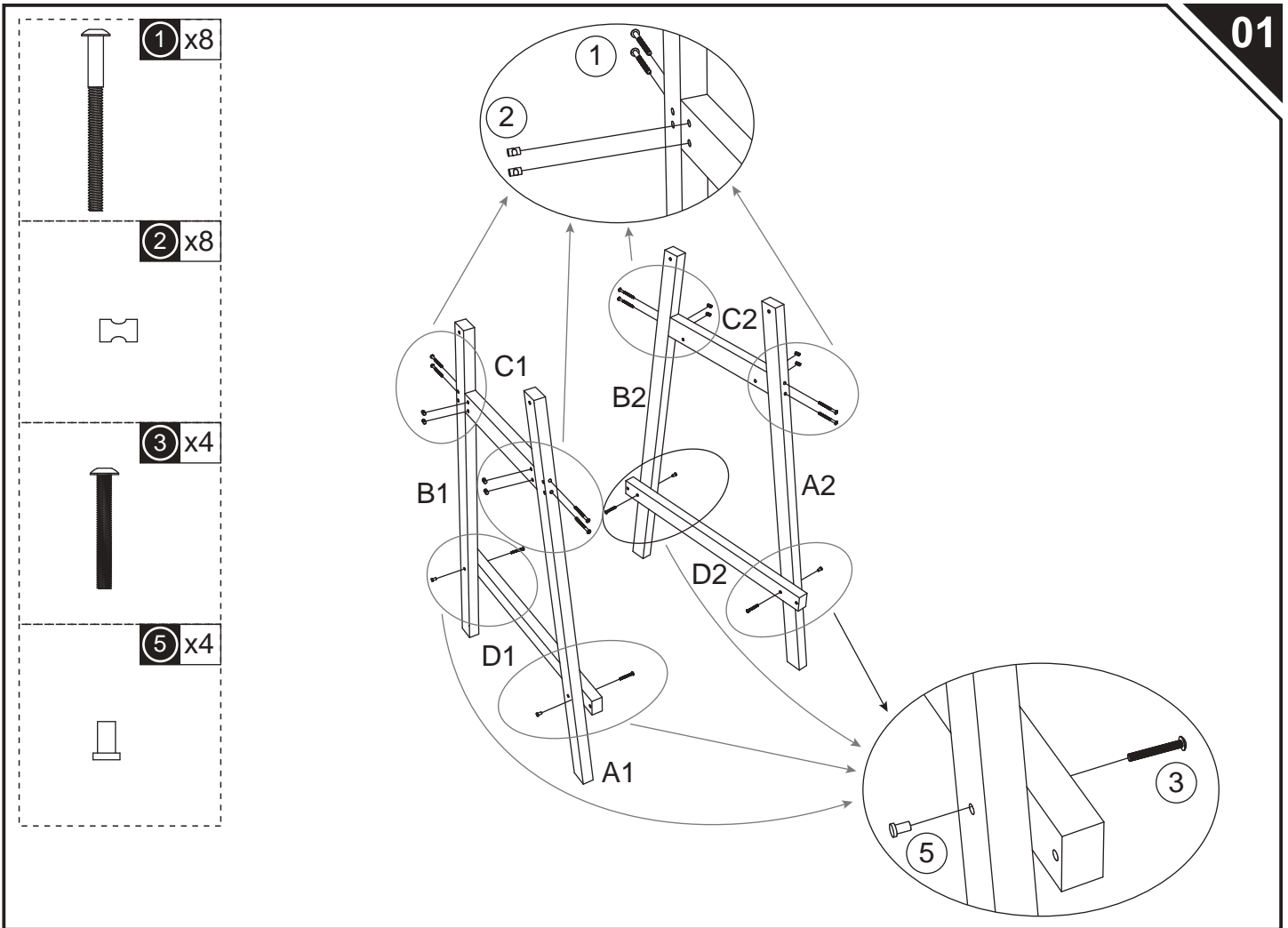


PARTS

 A1 x1	 A2 x1	 A3 x1	 A4 x1	 B1 x1	 B2 x1
 B3 x1	 B4 x1	 C1 x1	 C2 x1	 C3 x1	 C4 x1
 D1 x1	 D2 x1	 D3 x1	 D4 x1	 E x2	 F x2
 G x2	 H x2	 J1 x1	 J2 x1	 J3 x1	 J4 x1
 K x2	 L x2	 M x2	 N x1	 P x1	

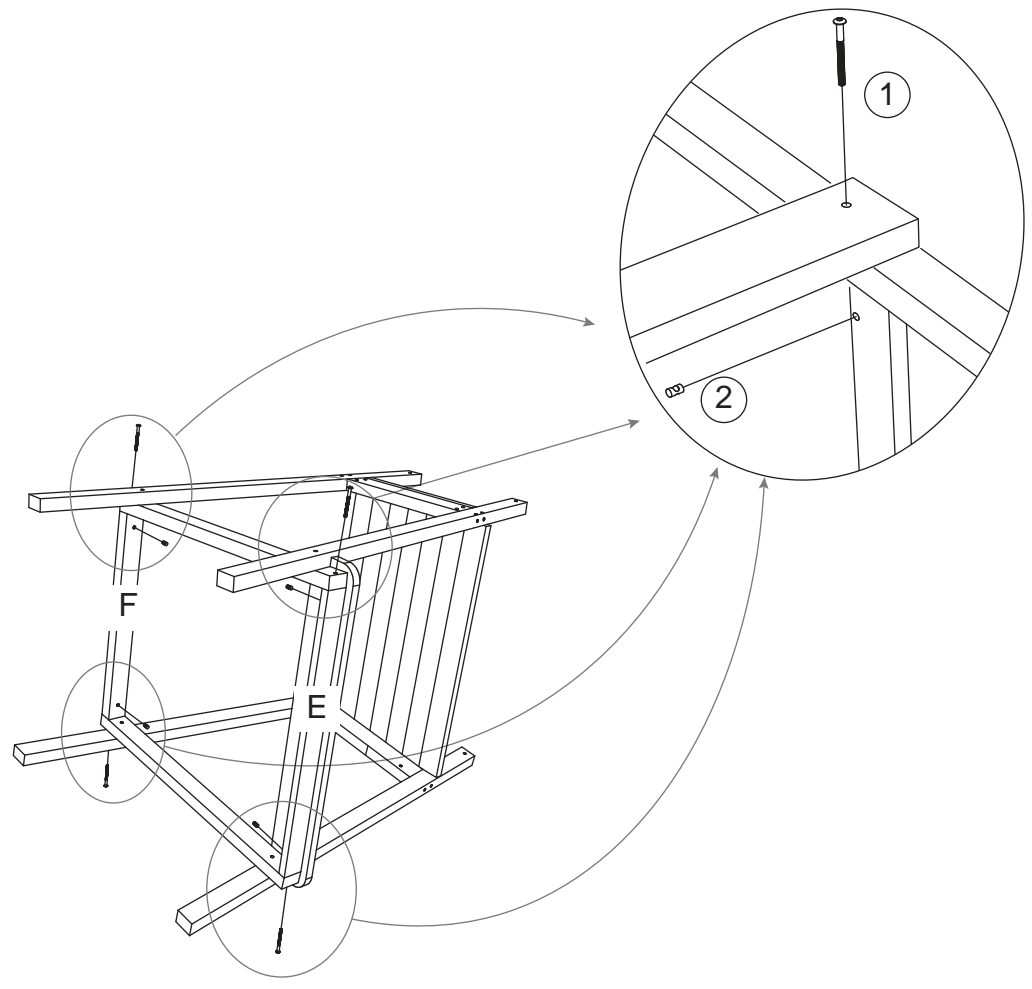
HARDWARE

 1 x40 +1 spare	 2 x40 +1 spare	 3 x20 +1 spare	 4 x8 +1 spare	 5 x28 +1 spare	 6 x14 +1 spare
 7 x2	 8 x1				



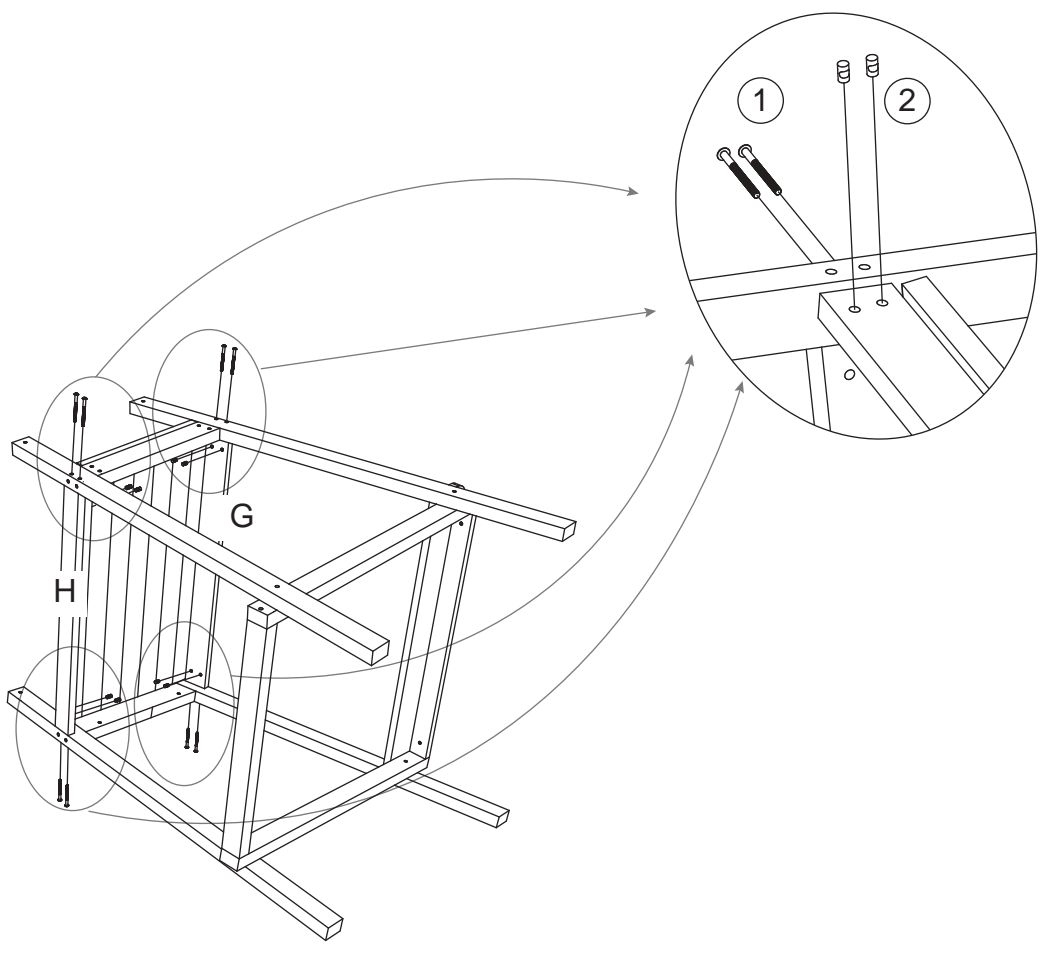
1 x4

2 x4

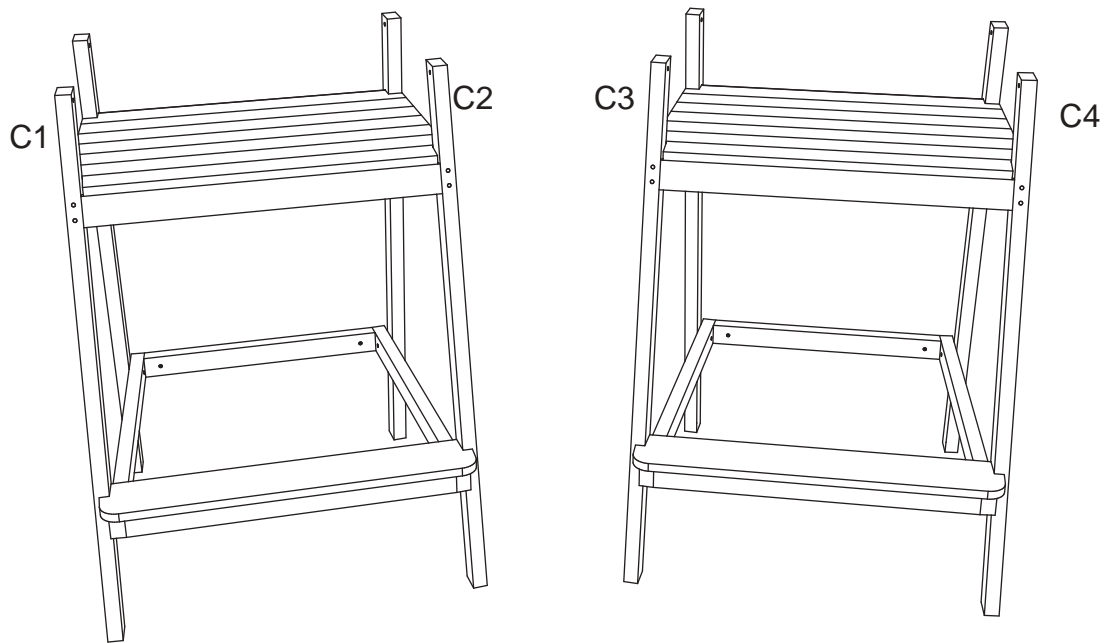


1 x8

2 x8



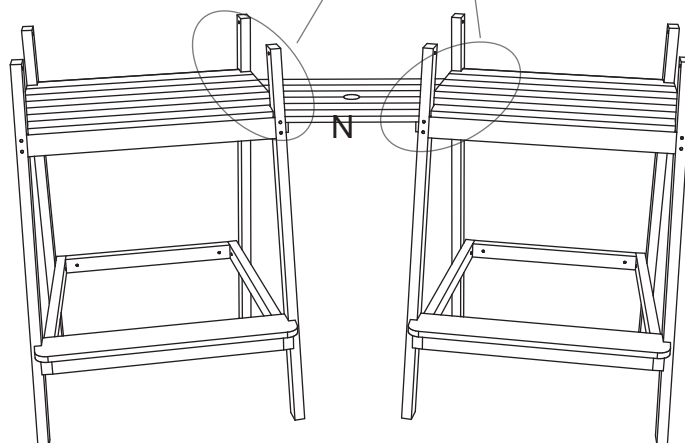
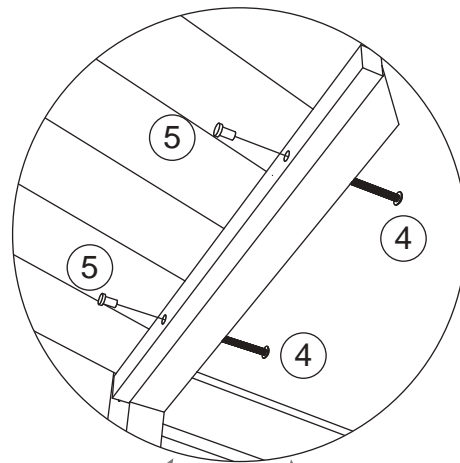
Using A3,A4,B3,B4,C3,C4,D3,D4,E,F,G,H,L
 Repeat step 1-4 to instal the other chair
 Ensure that after installation
 the positions of C1, C2, C3, and C4 are aligned as shown in the diagram.



④ x4



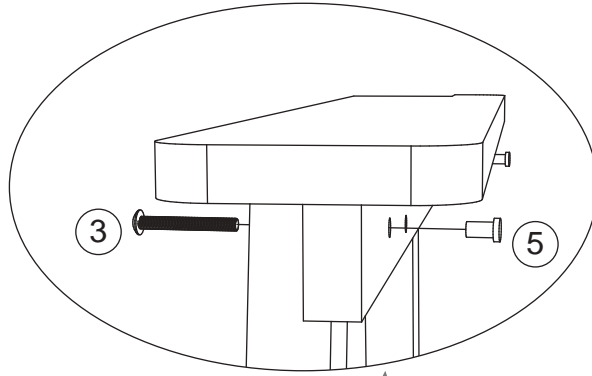
⑤ x4



③ x4



⑤ x4



J2

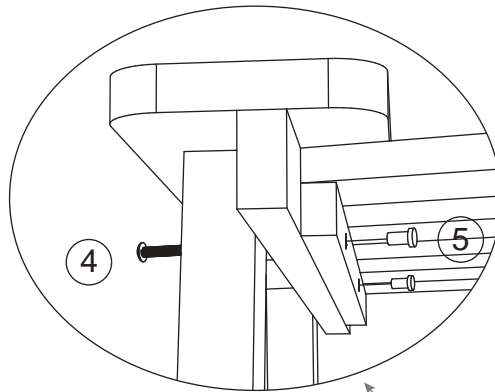
J3



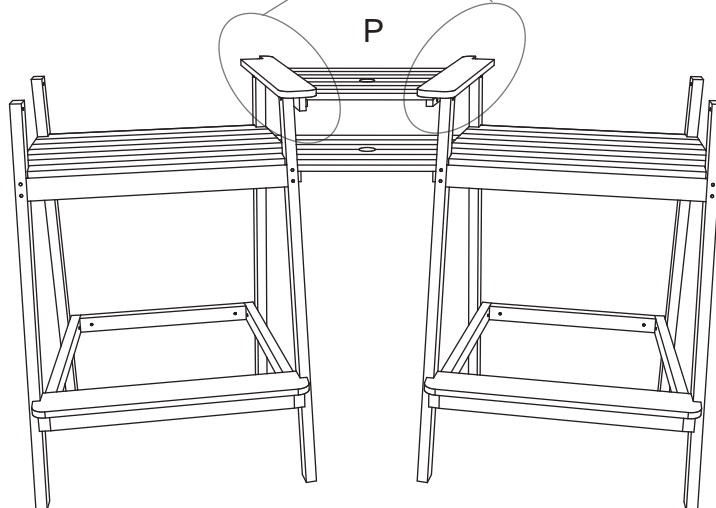
④ x4



⑤ x4



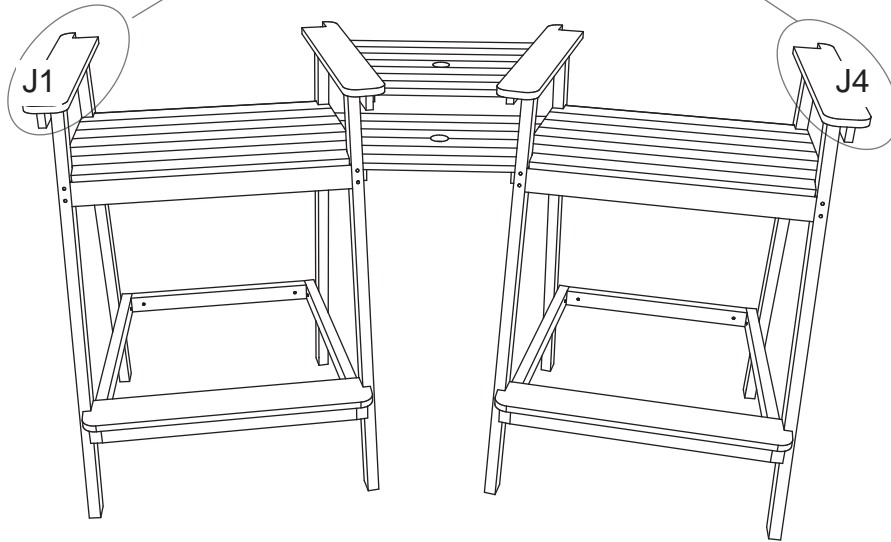
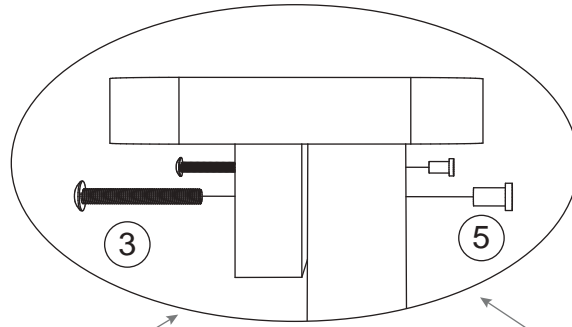
P



3 x4



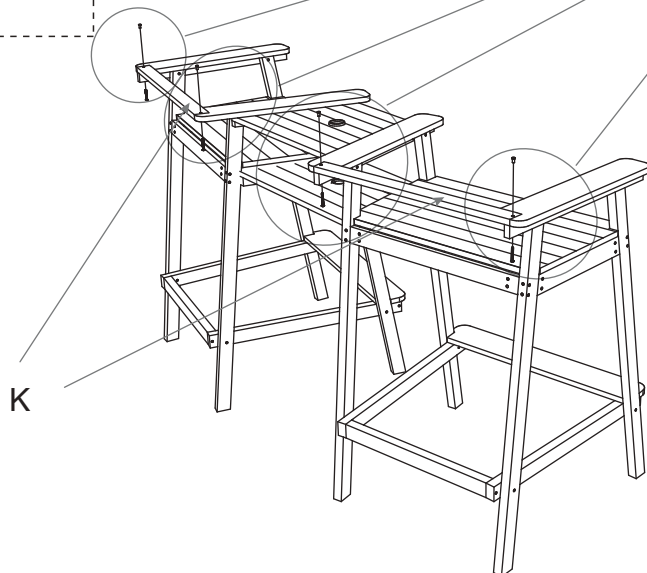
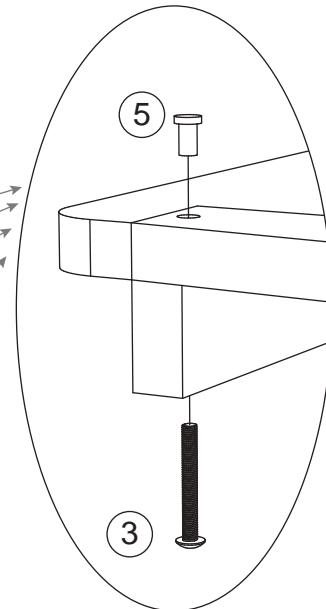
5 x4



3 x4



5 x4



6 x14
+1 spare



7 x2

