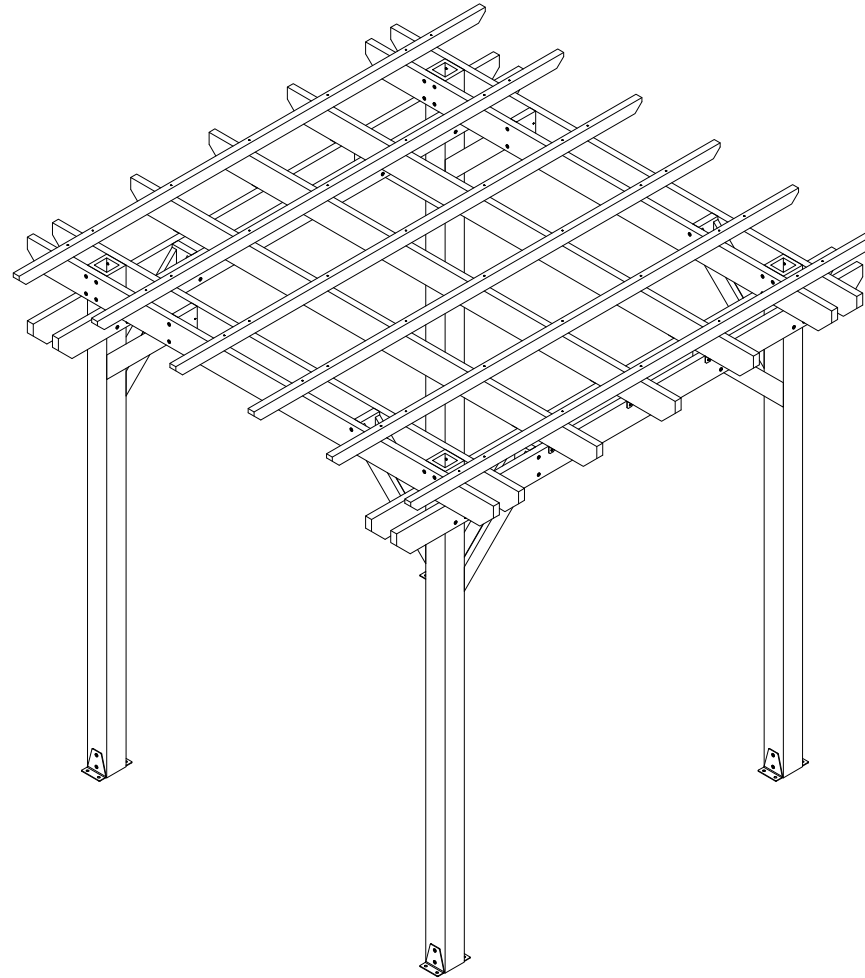


# 8' x 8' Pergola

## Assembly Guide

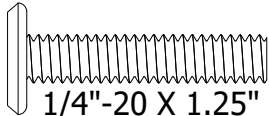
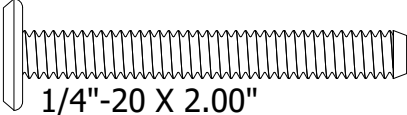
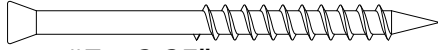

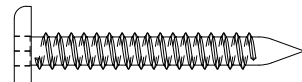


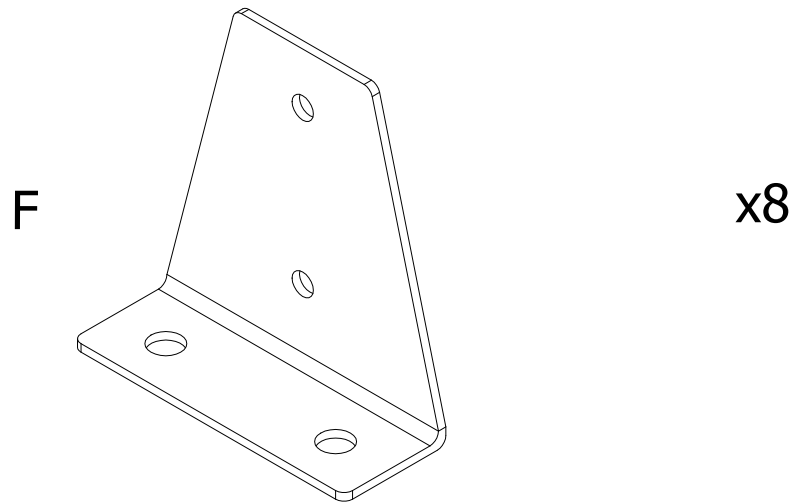
For information on Care and Cleaning or to register your product, please visit [www.highwood-usa.com](http://www.highwood-usa.com).

PGLA-0808  
05.28.21

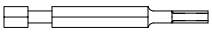

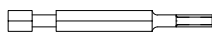

PAGE 1 of 16

**INCLUDED HARDWARE**

- A  **x16**  
1/4"-20 X 1.25"
- B  **x96**  
1/4"-20 X 2.00"
- C  **x16**  
#7 x 2.25"
- D  **x72**  
#7 x 3.00" (ONLY 42 REQUIRED)
- E  **x20**  
#10 x 1.25" (ONLY 12 REQUIRED)



**INCLUDED TOOLS**

-   5/32" HEX BIT (Bolts "A", "B")  
(Screw "E")
-   T15 TORX BIT (Screws "C", "D")

**CUSTOMER-SUPPLIED HARDWARE**

ANCHORS SUITABLE FOR THE INSTALLATION SURFACE (MAX. 5/16" DIAMETER). **x16**

**CUSTOMER-SUPPLIED TOOLS**

CORDLESS DRILL/SCREWDRIVER  
LADDER  
LEVEL  
TAPE MEASURE  
1/8" DRILL BIT  
TOOLS NECESSARY FOR CUSTOMER-SUPPLIED ANCHORS

**IMPORTANT!**

A MINIMUM of (2) people are required to assemble this product.

DO NOT expose components to direct sunlight prior to assembling.  
Remove components from the box as they are needed for assembly.

DO NOT fully tighten the bolts until all bolts are started.  
Once all bolts are inserted, go back & tighten all bolts.

Ensure all pre-drilled holes are clear of any debris.  
This will allow for easier assembly.


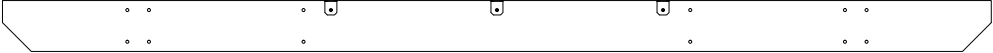



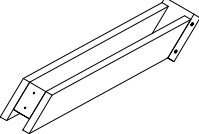


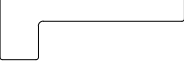

Retain these instructions for future reference

For information on Care and Cleaning or to register your product, please visit [www.highwood-usa.com](http://www.highwood-usa.com).

PGLA-0808  
05.28.21

PAGE 2 of 16

## PARTS LIST

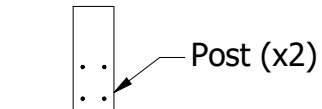
POST		x4
LOWER SUPPORT BEAM		x4
UPPER SUPPORT BEAM		x4
JOIST		x3
TOP SLAT		x6
GUSSET ASSEMBLY		x8
SLAT SPACER		x2
JOIST INDEX		x1
TOP SLAT INDEX		x1
MAIN BEAM SPACER		x1

For information on Care and Cleaning or to register your product, please visit [www.highwood-usa.com](http://www.highwood-usa.com).

PGLA-0808  
05.28.21

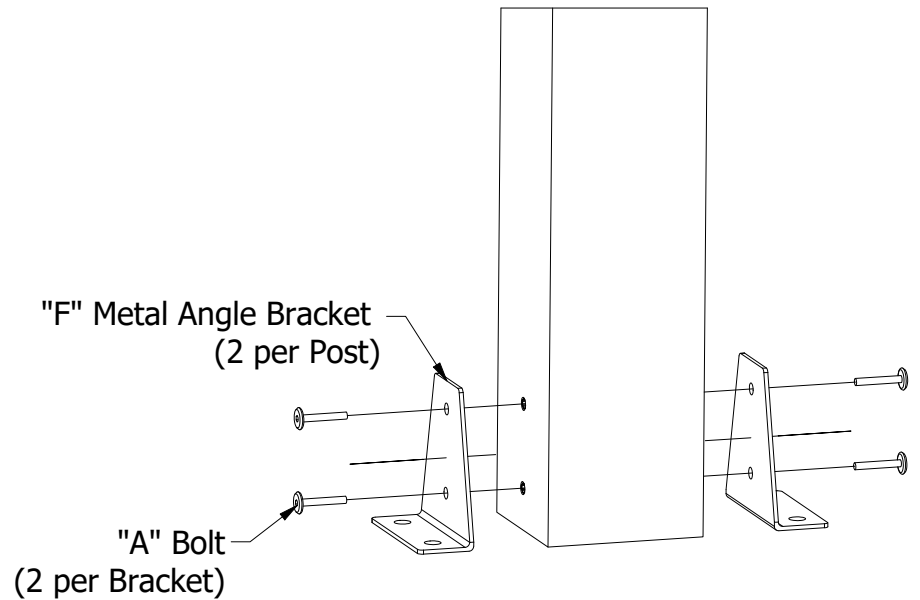
PAGE 3 of 16

## PERGOLA ASSEMBLY



**1)** Set Two Posts on a Flat Surface Approximately 6 Feet Apart as Shown.

**2)** Align (1) "F" Metal Angle Bracket with the Corresponding Hole Pattern on the Side of Each Post.

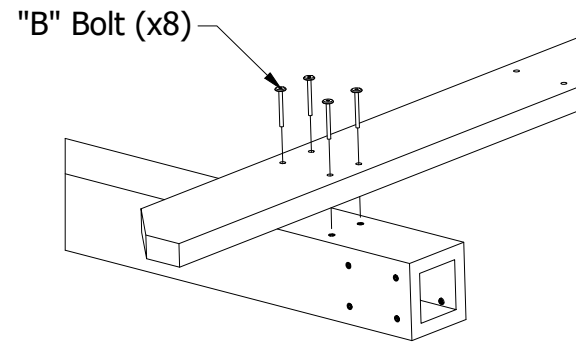
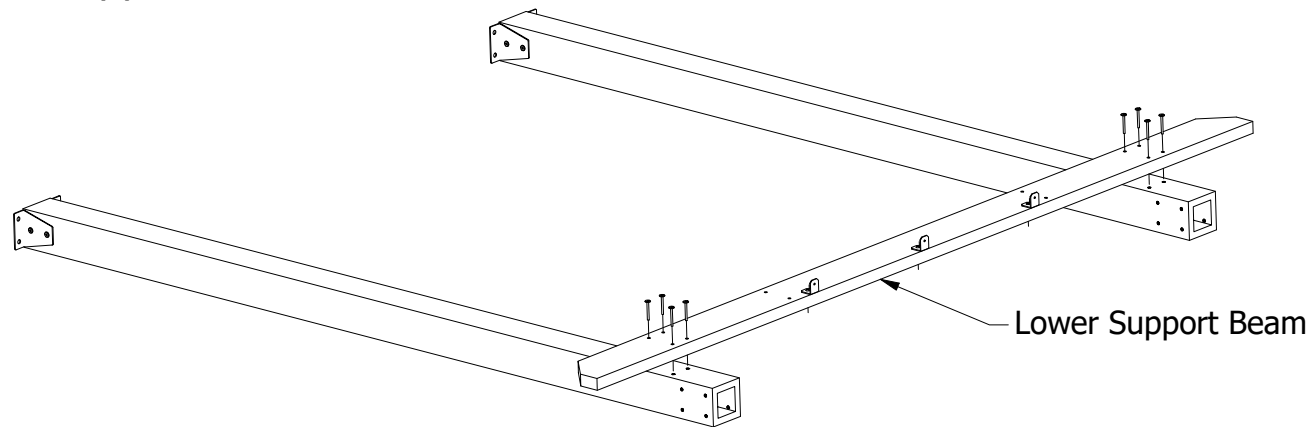


**3)** Attach (2) "F" Metal Angle Brackets to the Bottom of Each Post using (2) "A" Bolts as Shown. Holes in the Brackets will Align with Holes in the Posts.

**4)** Proceed to Attach the Remaining "F" Brackets to the Remaining (2) Posts and Set these Aside for a Later Step.

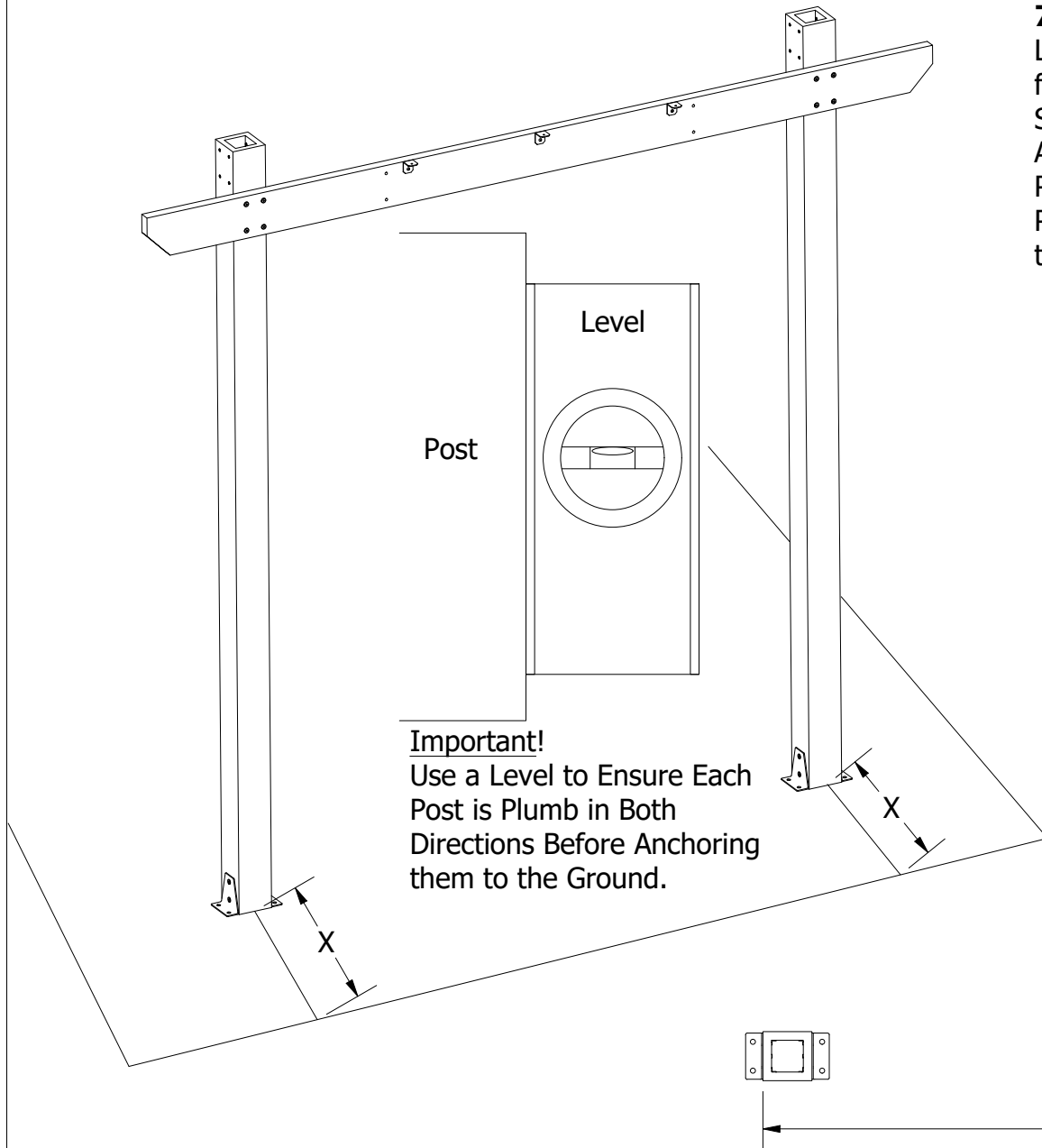
## PERGOLA ASSEMBLY

**5)** Place a Lower Support Beam Across the Top End of the Posts from Step 1, with the Brackets on the Lower Support Beam Facing UP. The Posts should be Oriented so the Holes in the Lower Support Beam Align with the Lower Set of (4) Holes in the Post.

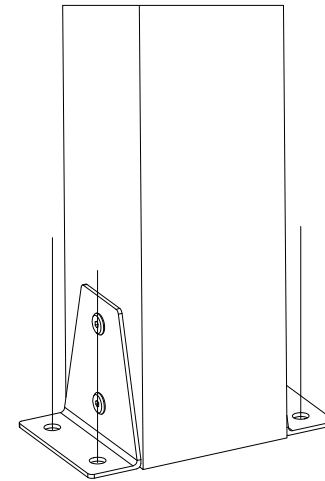


**6)** Attach the Lower Support Beam to Each Post Using (4) "B" Bolts.

## PERGOLA ASSEMBLY



**7)** Stand the Arch Assembly Up and Move to the Desired Location. If a Specific Orientation is Desired, Measure from Each Post to the Edge of an Adjacent Surface or Structure, Making Adjustments to Each Post as Needed to Achieve Equal Measurements. This Will Ensure the Pergola is Square with the Surface it Sits on, such as a Patio or Deck. Space the Bottoms of the Posts to Ensure the Spacing Shown Below.



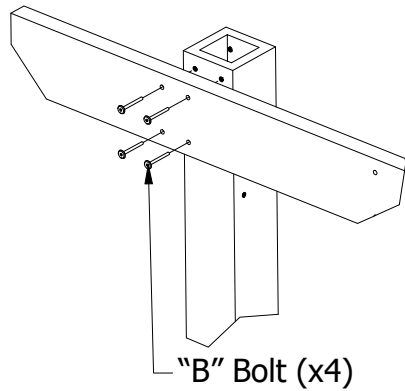
**8)** Once the Arch is in the Desired Location, Support or Add Braces to Hold it Upright While it is Anchored to the Ground. Using Anchors (not included) Appropriate for the Anchoring Surface, Secure the Arch Using (2) Anchors in Each Metal Angle Bracket "F". The Brackets will Support Up to a  $\frac{5}{16}$ " Diameter Anchor.

For information on Care and Cleaning or to register your product, please visit [www.highwood-usa.com](http://www.highwood-usa.com).

PGLA-0808  
05.28.21

PAGE 6 of 16

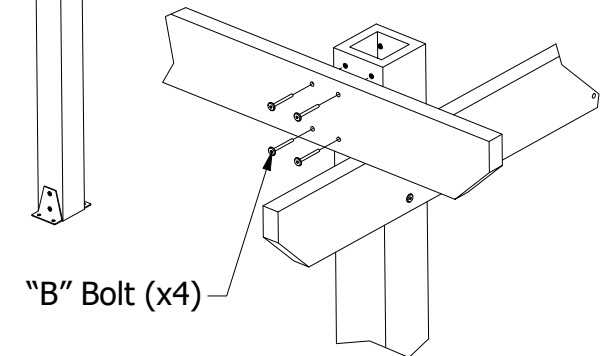
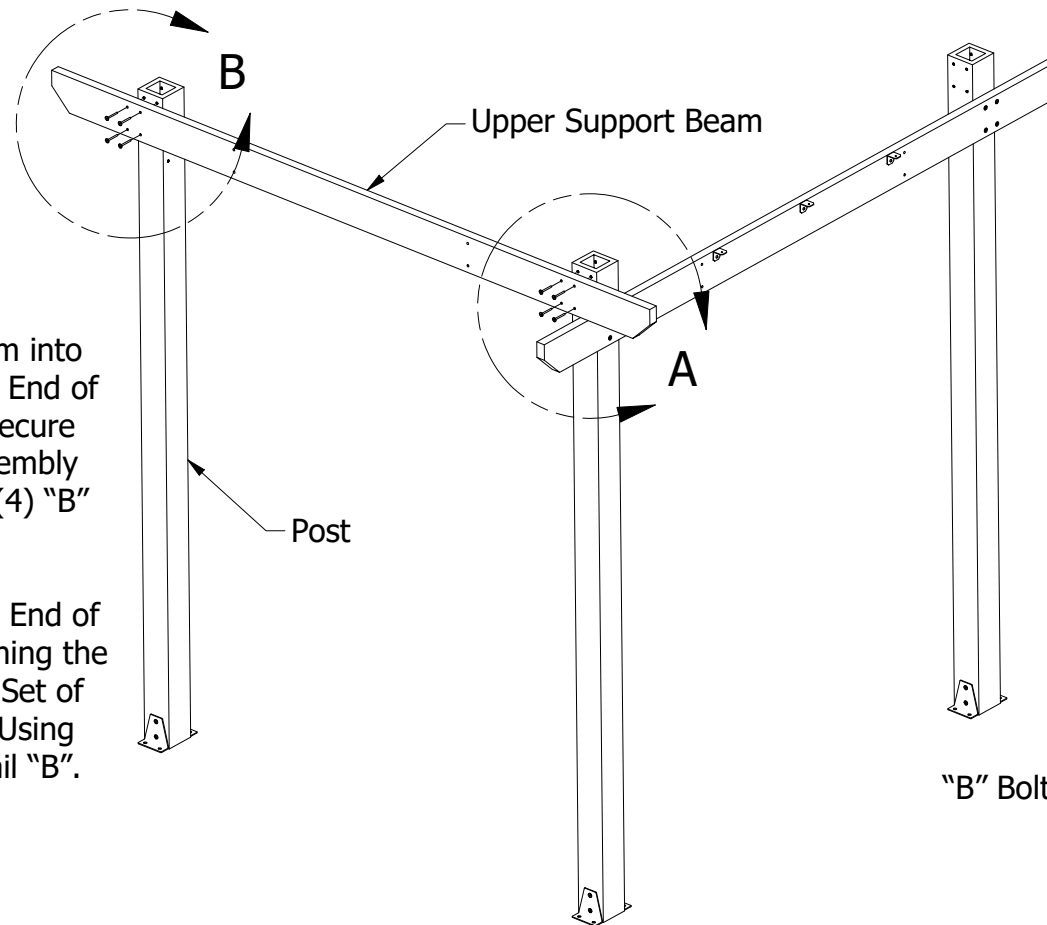
## PERGOLA ASSEMBLY



### DETAIL B

**9)** Lift an Upper Support Beam into Place as Shown. Support One End of the Beam Until Step 10, and Secure the Other End to the Arch Assembly from the Previous Step Using (4) "B" Bolts, as Shown in Detail "A".

**10)** Place a Post at the Other End of the Upper Support Beam, Aligning the Support Beam with the Upper Set of Holes in the Post, and Secure Using (4) "B" Bolts as Shown in Detail "B".

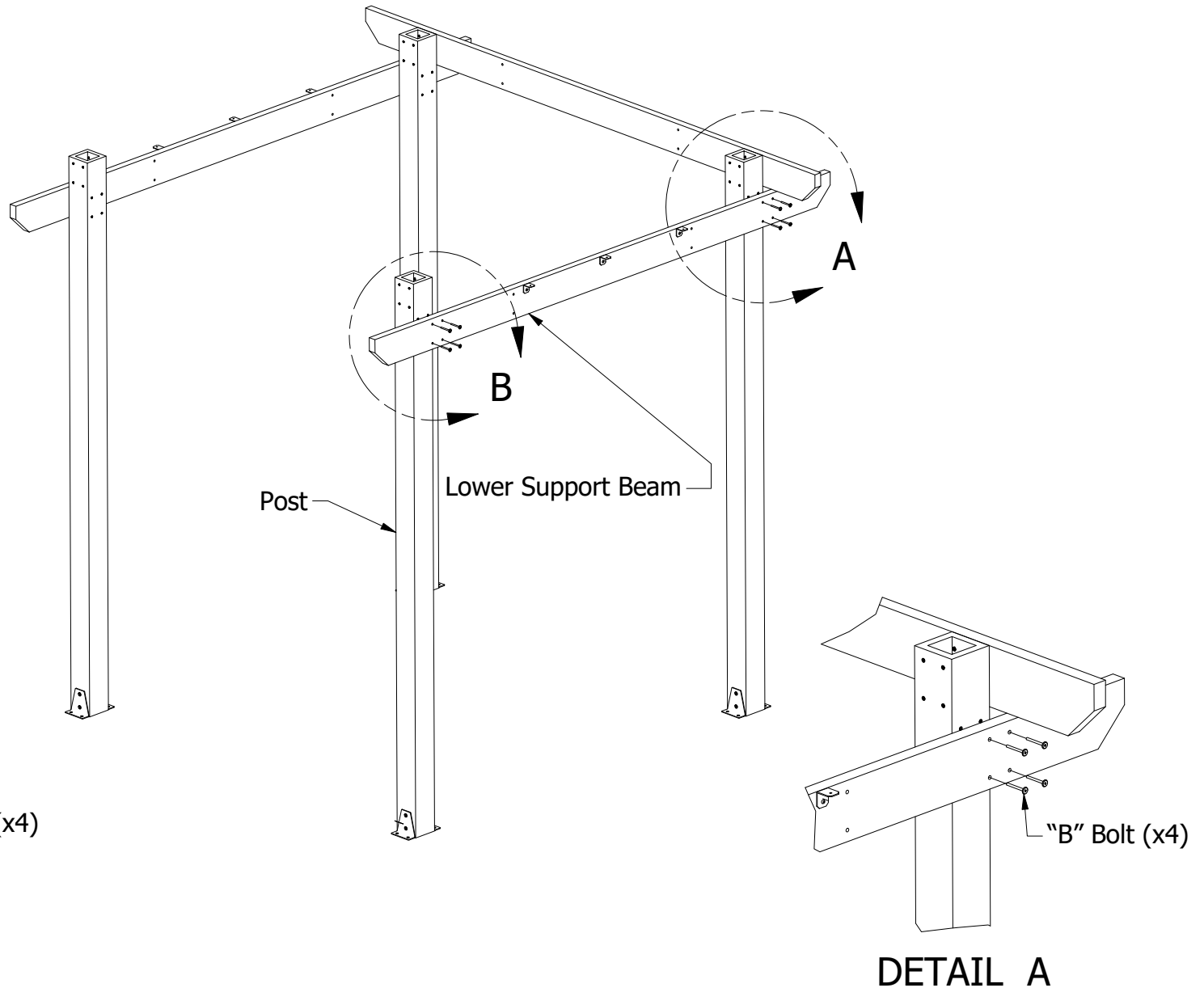


### DETAIL A

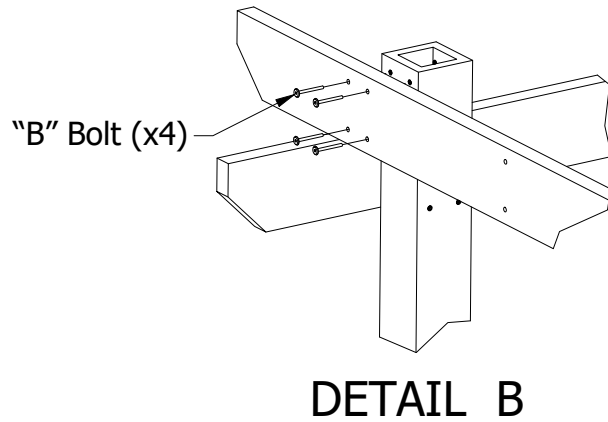
## PERGOLA ASSEMBLY

**11)** Lift a Lower Support Beam into Place as Shown with Brackets Facing Outward. Support One End of the Beam Until Step 12, and Secure the Other End to the Post Using (4) "B" Bolts, as Shown in Detail "A".

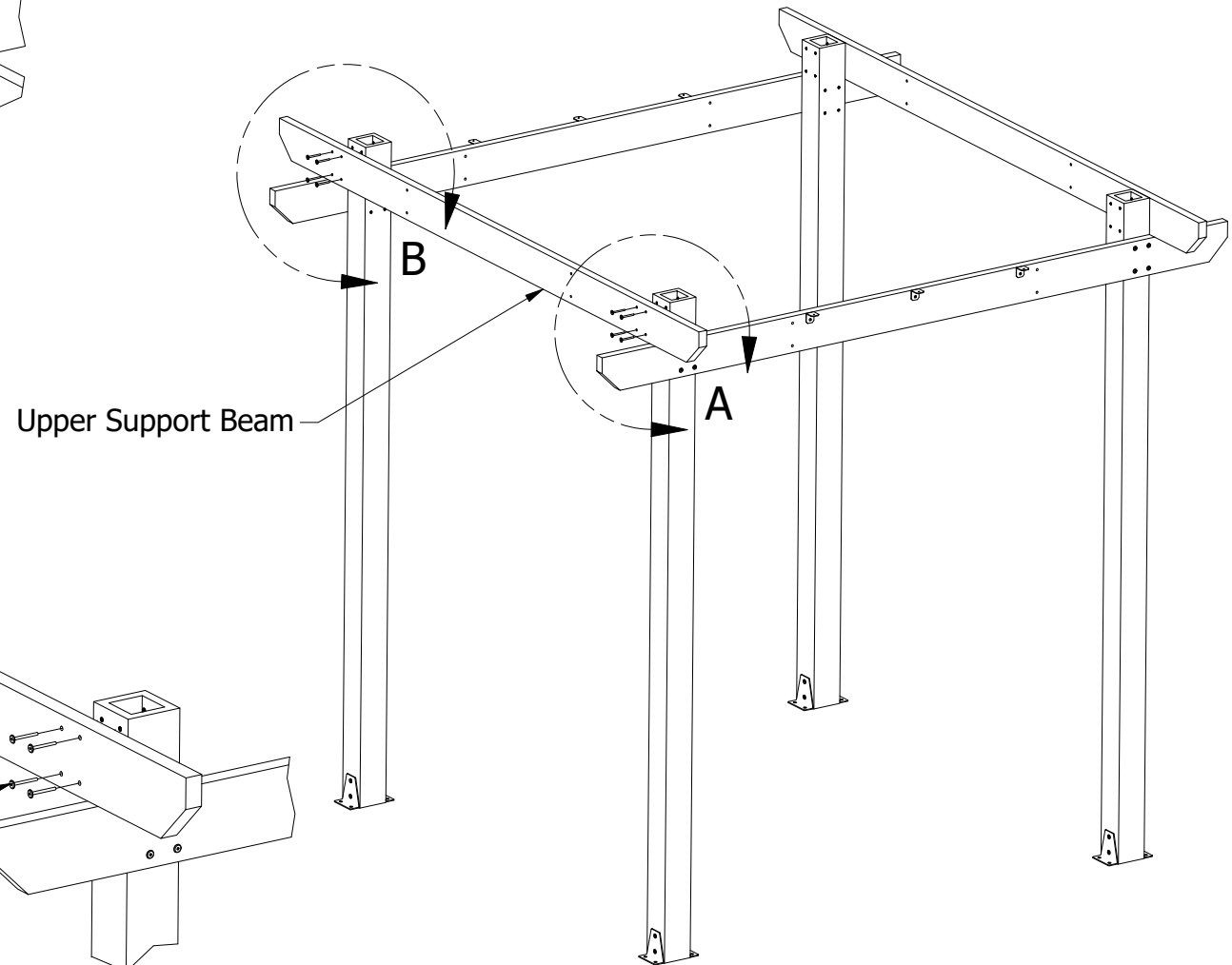
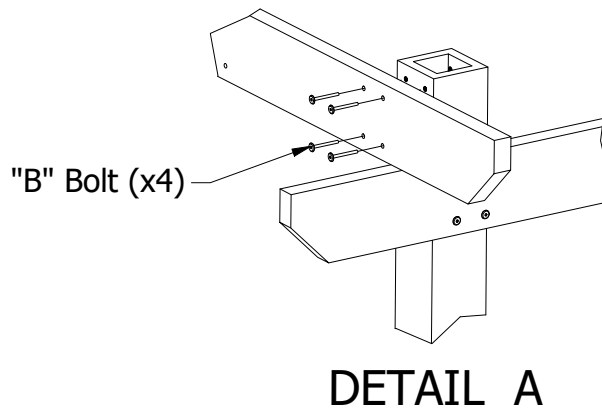
**12)** Place a Post at the Other End of the Lower Support Beam, Aligning the Support Beam with the Lower Set of Holes in the Post, and Secure Using (4) "B" Bolts as Shown in Detail "B". At this Point the Pergola Will Stand without Need for Additional Supports.



## PERGOLA ASSEMBLY



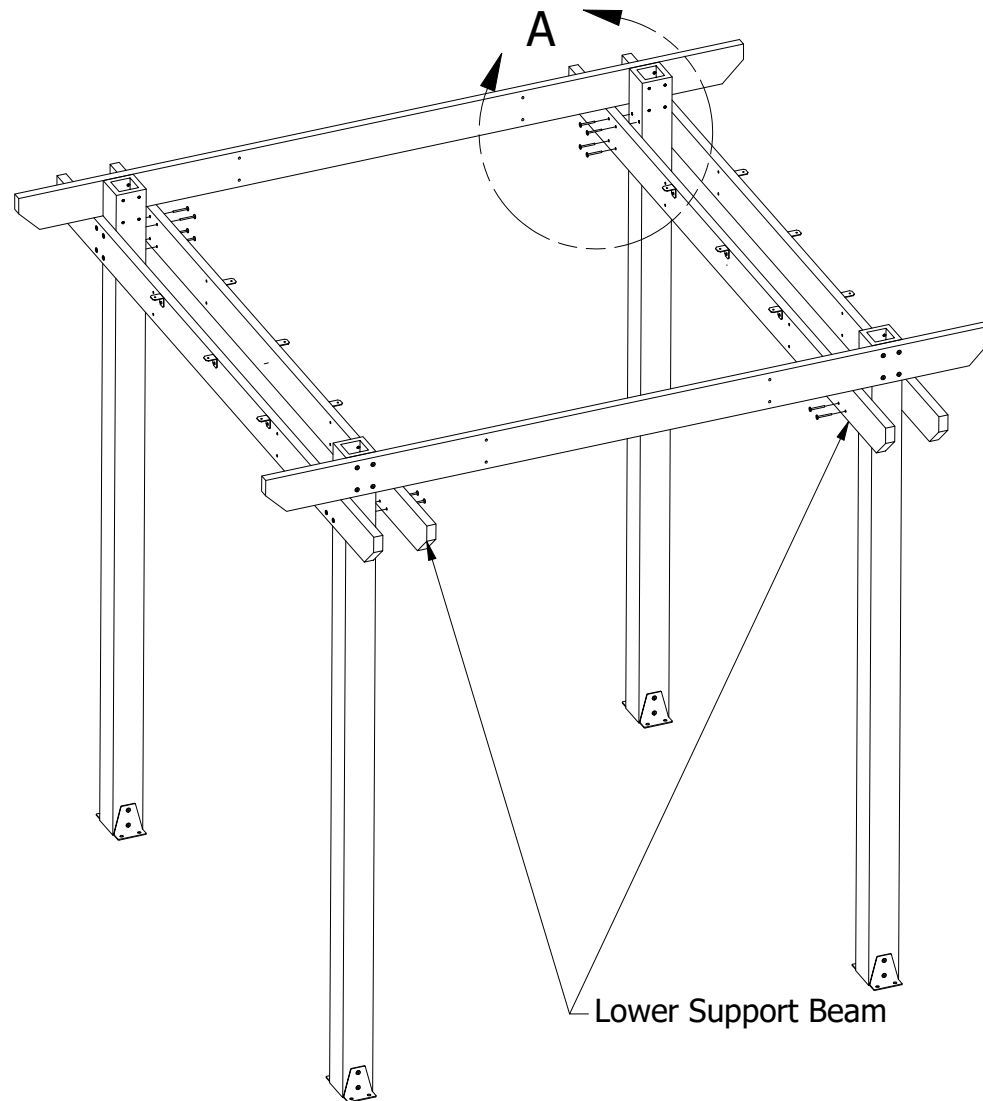
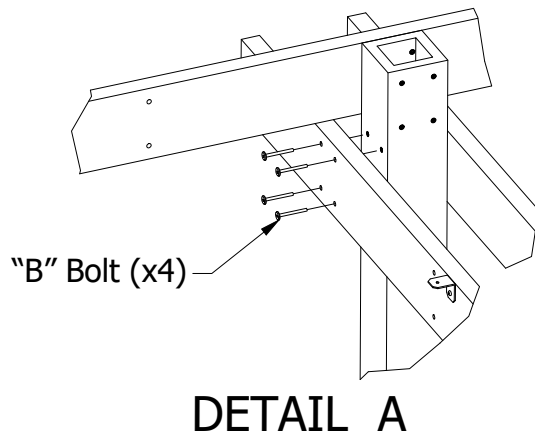
**13)** Lift an Upper Support Beam into Place as Shown and Set on Top of the Lower Support Beams. Secure Both Ends to the Posts Using (8) "B" Bolts, as Shown in Details "A" and "B".



## PERGOLA ASSEMBLY

**14)** Attach the Remaining (2) Lower Support Beams Using (16) "B" Bolts, as Shown to the Right and in Detail "A". These Should be Installed on the Opposite Sides of Each Post as the Lower Support Beams Installed Previously, with Metal Brackets Facing Inward.

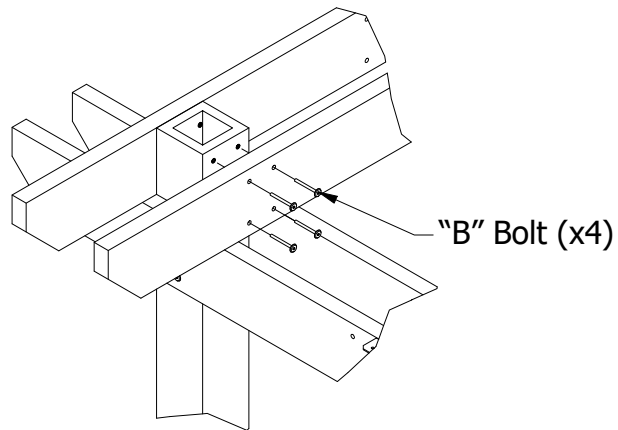
Quick Tip: Do not Fully Tighten Bolts Until all Bolts are Aligned and Started.



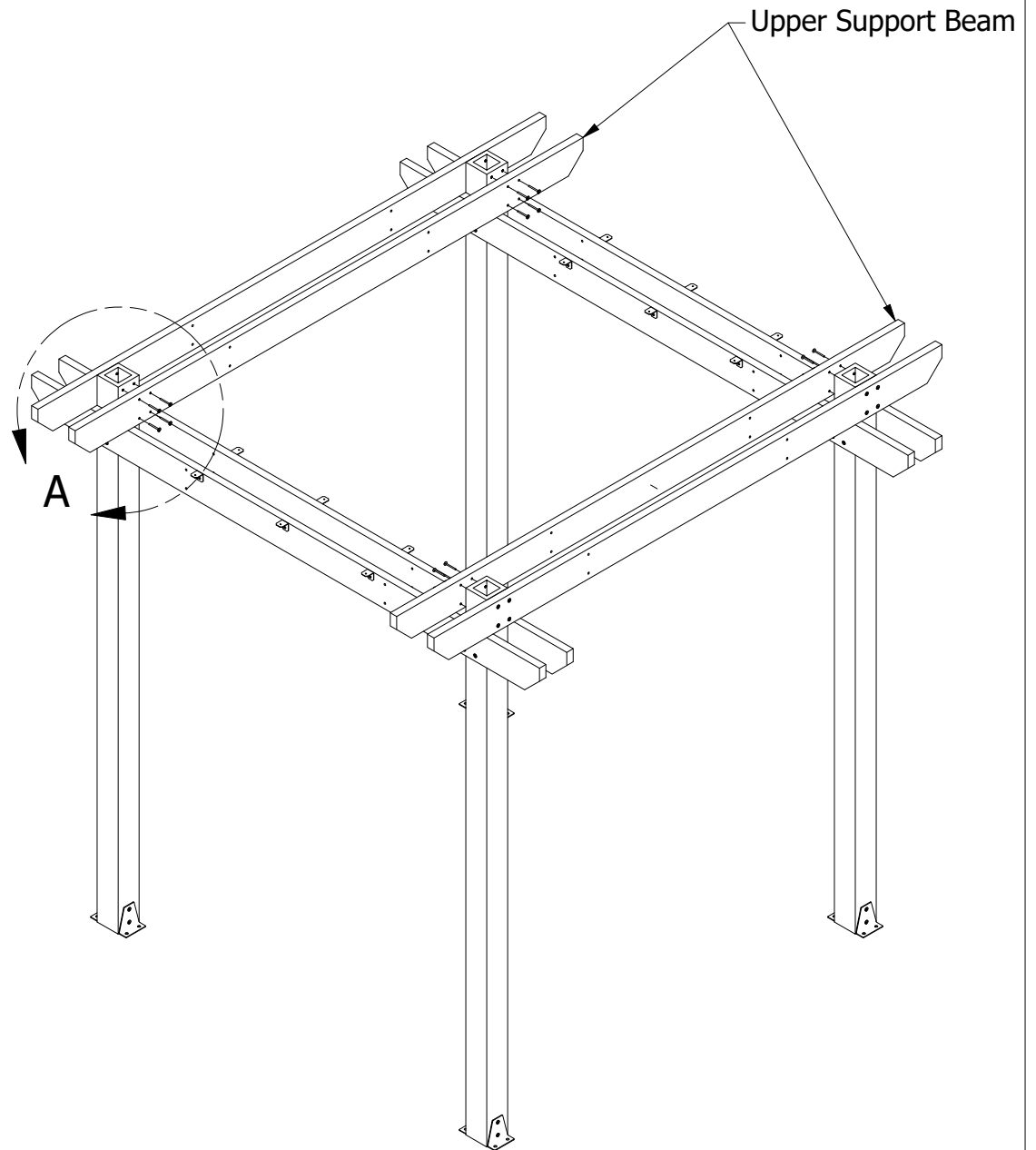
## PERGOLA ASSEMBLY

**15)** Attach the Remaining (2) Upper Support Beams Using (16) "B" Bolts, as Shown to the Right and in Detail "A". These Should be Installed on the Opposite Sides of Each Post as the Upper Support Beams Installed Previously.

Quick Tip: Do not Fully Tighten Bolts Until all Bolts are Aligned and Started.



DETAIL A

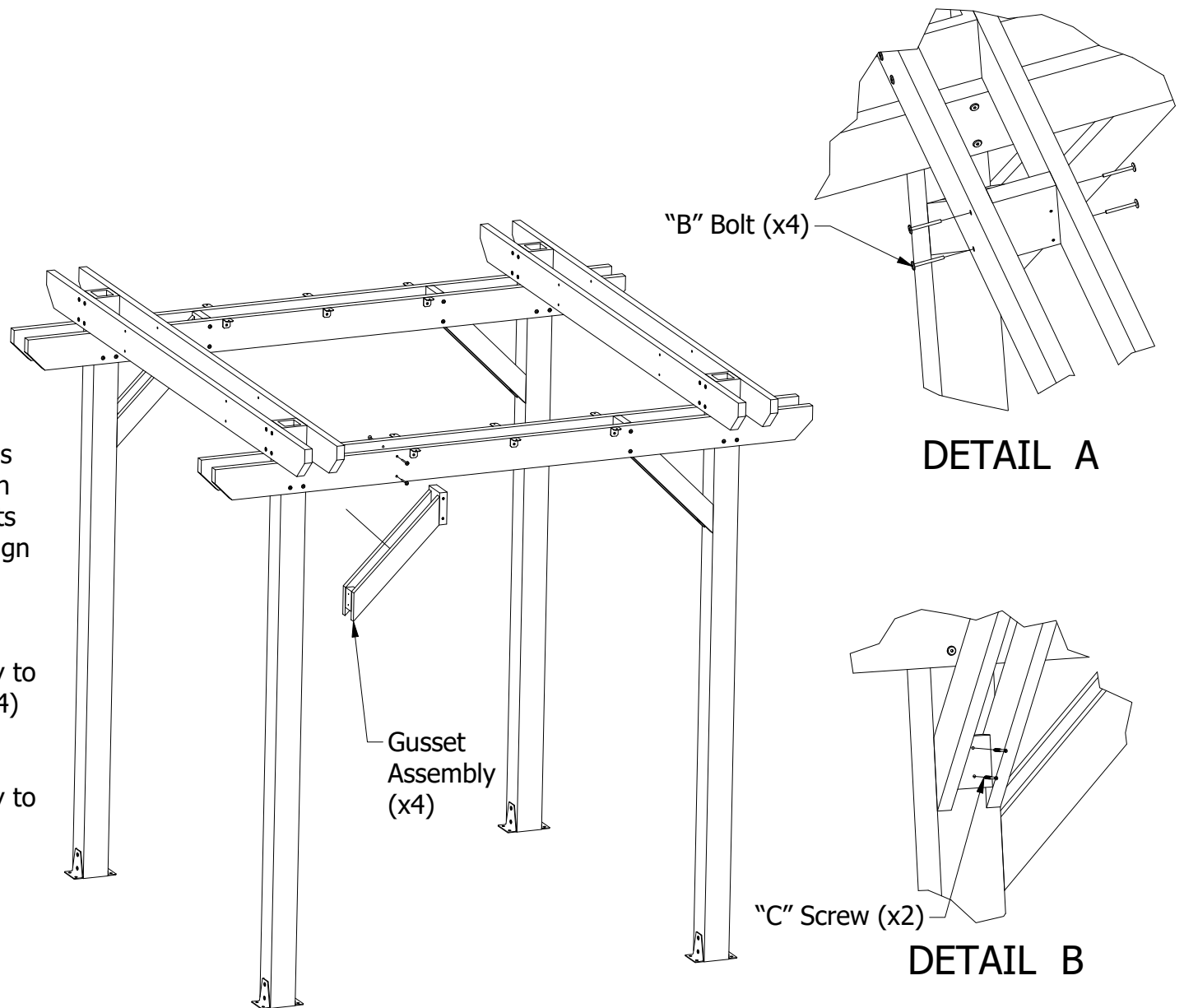


## PERGOLA ASSEMBLY

16) Place a Gusset Assembly Between the Lower Support Beams in Each of the (4) Locations Shown to the Right. The Threaded Inserts in the Gusset End Block Should Align with the Pre-Drilled Holes in the Lower Support Beams.

17) Secure Each Gusset Assembly to the Lower Support Beams Using (4) "B" Bolts, as Shown in Detail "A".

18) Secure Each Gusset Assembly to the Adjacent Post using (2) "C" Screws as Shown in Detail "B".



For information on Care and Cleaning or to register your product, please visit [www.highwood-usa.com](http://www.highwood-usa.com).

PGLA-0808  
05.28.21

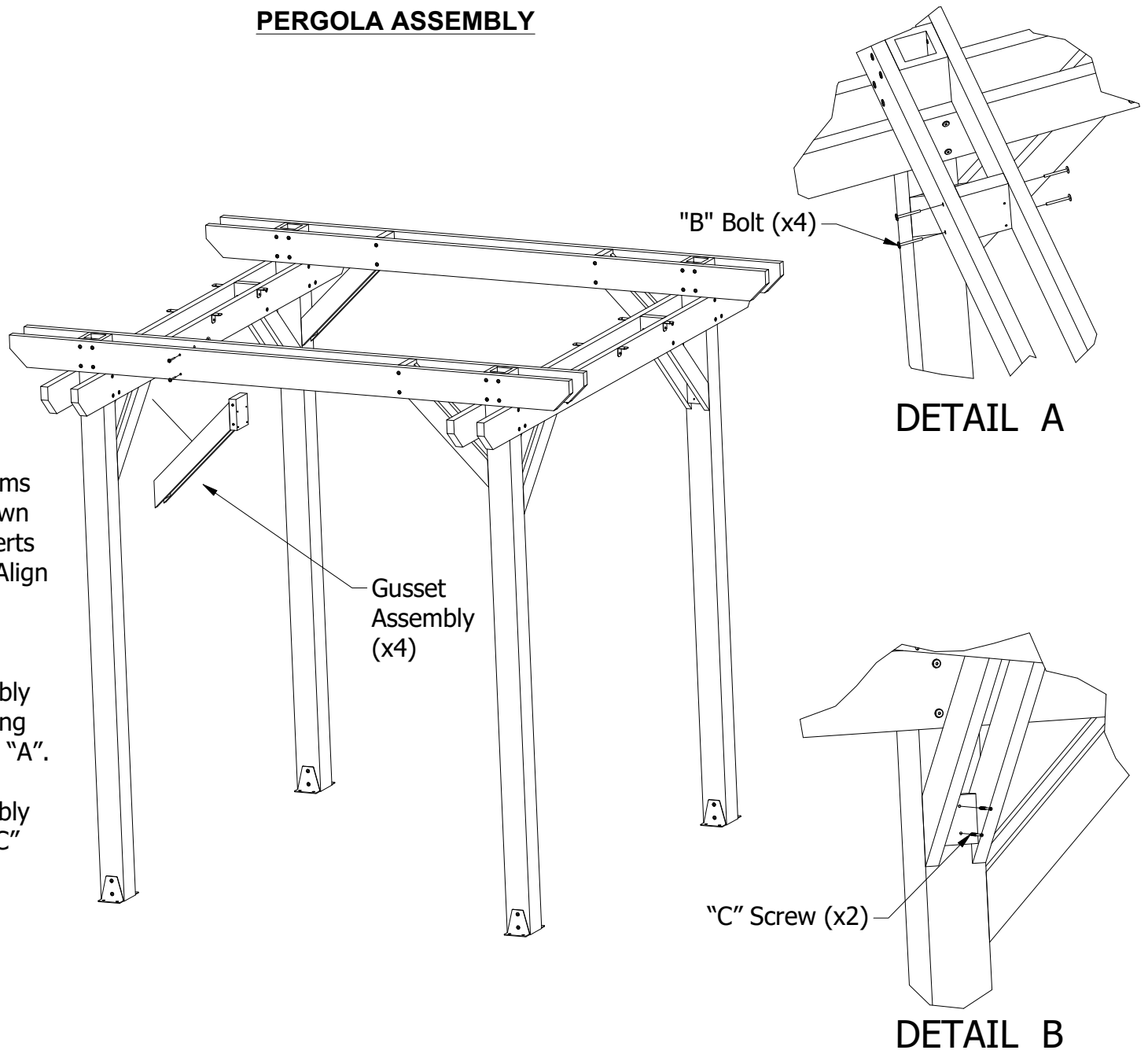
PAGE 12 of 16

## PERGOLA ASSEMBLY

**19)** Place a Gusset Assembly Between the Upper Support Beams in Each of the (4) Locations Shown to the Right. The Threaded Inserts in the Gusset End Block Should Align with the Pre-Drilled Holes in the Upper Support Beams.

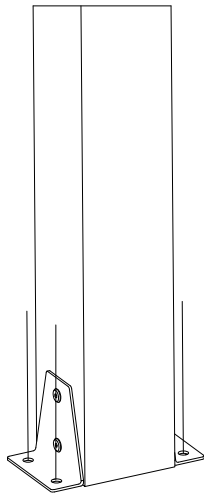
**20)** Secure Each Gusset Assembly to the Upper Support Beams Using (4) "B" Bolts, as Shown in Detail "A".

**21)** Secure Each Gusset Assembly to the Adjacent Post Using (2) "C" Screws as Shown in Detail "B".

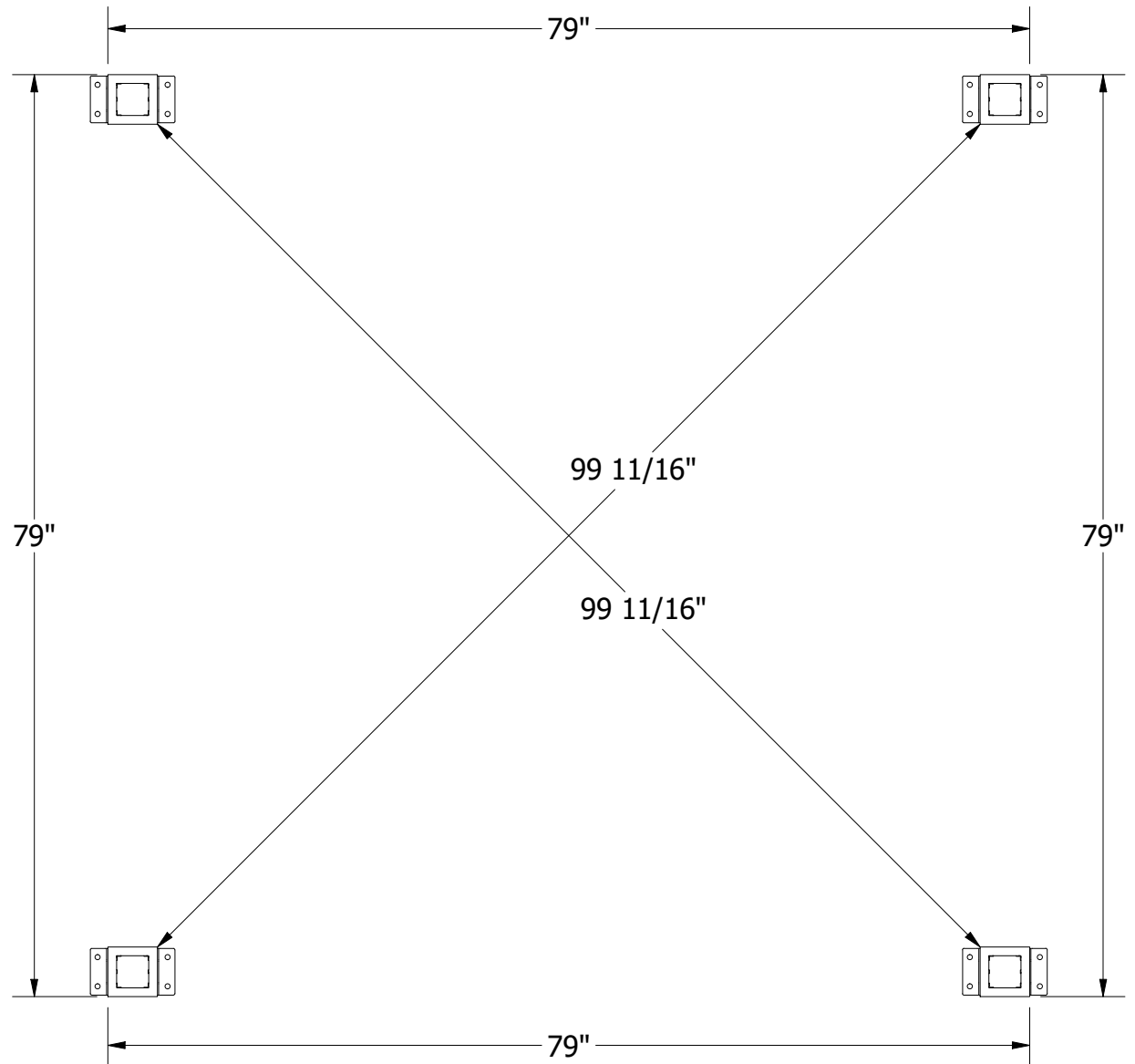


## PERGOLA ASSEMBLY

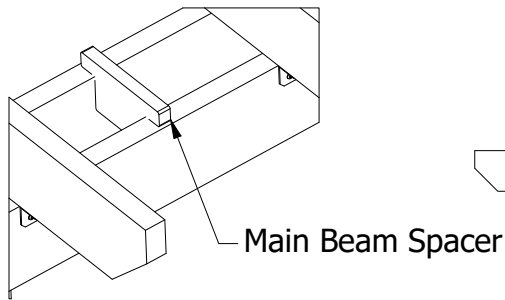
**22)** Before Anchoring the Remaining Posts, Ensure the Pergola is Square by Adjusting the Two Unanchored Posts to Achieve the Post-to-Post and Diagonal Dimensions Shown to the Right. Measurements Should be Taken at the Bottom of the Posts.



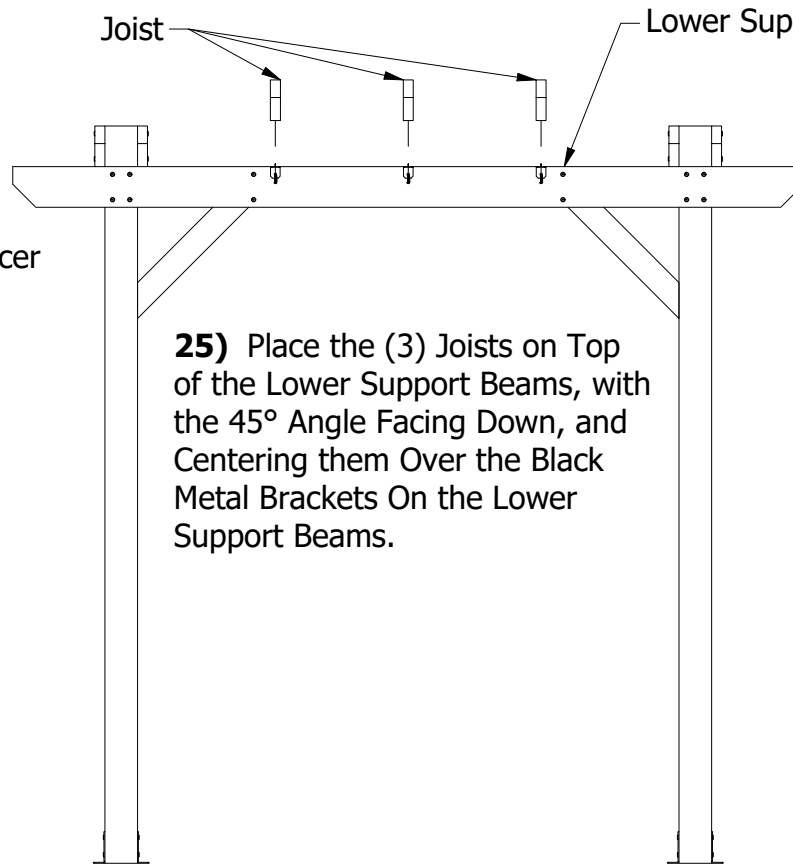
**23)** Once the Pergola Frame is Square, the Remaining (2) Posts can be Anchored. Using Anchors Appropriate for the Anchoring Surface, Secure the Posts Using (2) Anchors in Each "F" Metal Angle Bracket. The Brackets will Support Up to a  $\frac{5}{16}$ " Diameter Anchor.



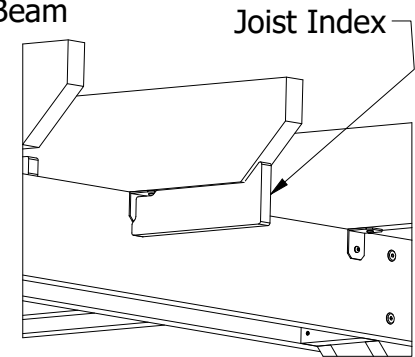
## PERGOLA ASSEMBLY



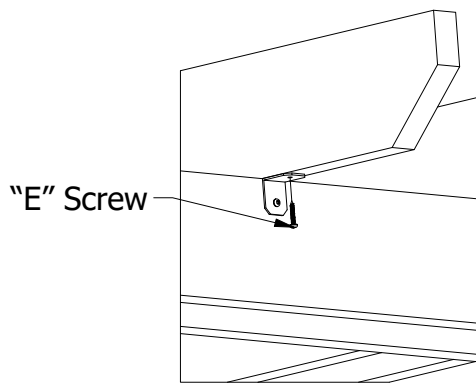
**24)** Place the Main Beam Spacer Between the Lower Support Beams as Shown Above to Maintain the Correct Beam Spacing.



**25)** Place the (3) Joists on Top of the Lower Support Beams, with the 45° Angle Facing Down, and Centering them Over the Black Metal Brackets On the Lower Support Beams.

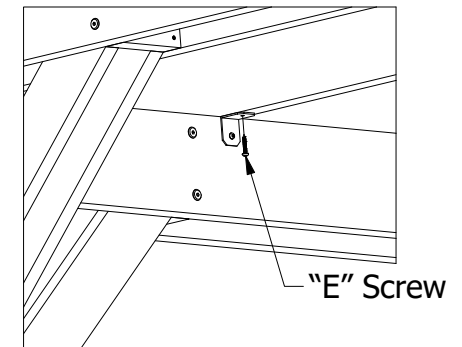


**26)** Use the Joist Index to Set the Distance Each Joist Overhangs the Lower Support Beam. Place the Joist Index Against the Lower Support Beam as Shown and Slide the Joist Until the 45° Cut Rests Against the Joist Index.

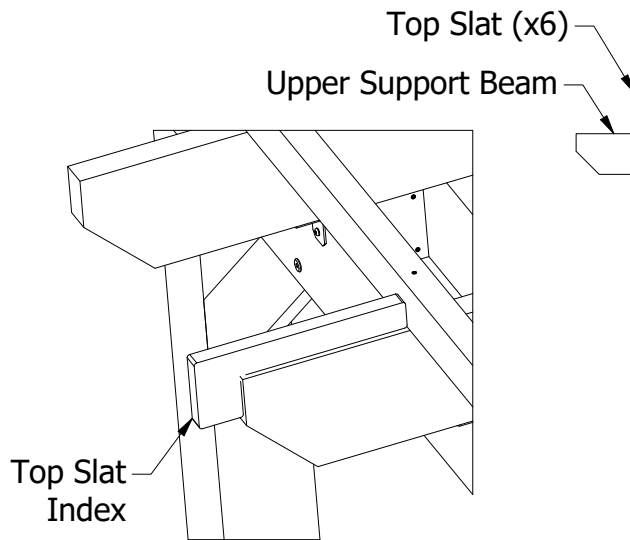


**27)** Secure Each Joist to the Lower Support Beams Using (4) "E" Screws. Center Each Joist Over Each Black Metal Bracket on the Lower Support Beams. This will Set the Center-to-Center Spacing of the Joists. Place a Screw Through the Hole in the Metal Bracket and Secure it Into the Bottom of the Joist.

Quick Tip: Drilling a Shallow  $\frac{1}{8}$ " Diameter Pilot Hole Into Each Location on the Joists will Allow for Easier Installation of the Screws.



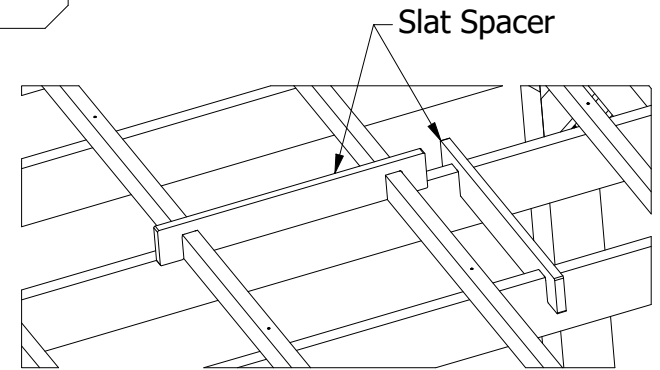
## PERGOLA ASSEMBLY



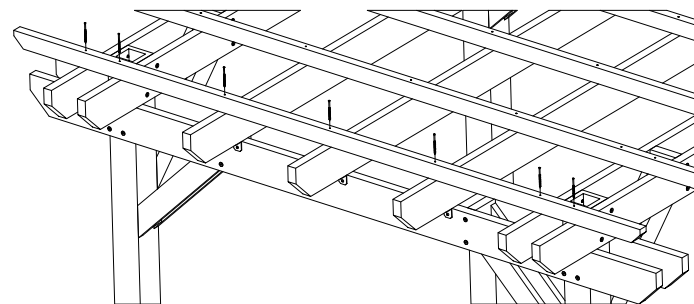
**28)** Place the (6) Top Slats on Top of, and Perpendicular to the Joists and Upper Support Beams, with the 45° Angle Facing Down.

**29)** Use the Top Slat Index to Set the Location of the First Top Slat. Set the Top Slat Index on Top of the Joist as Shown Above, and Adjust the Top Slat Until it Rests Against the Top Slat Index.

**30)** Secure the Top Slat to Each Upper Support Beam and Each Joist Using (7) "D" Screws. Each Top Slat has Pre-Drilled Holes Which Will Align with the Joists and Beams it Sets on. Follow Step 29 Prior to Securing Each Screw to Ensure the Top Slat Remains Straight.



**31)** To Set the Location of Each Subsequent Top Slat, Use the Slat Spacer to Set the Center-to-Center Distance Between Top Slats. Use the Second Slat Spacer to Maintain Proper Spacing of the Joists as Shown Above. Move Each of the Spacers Accordingly so they are Near the Area of the Top Slat Being Secured. This will Ensure all Slats Remain Straight and Square with One Another.



**32)** Secure Each Remaining Top Slat with (7) "D" Screws.