








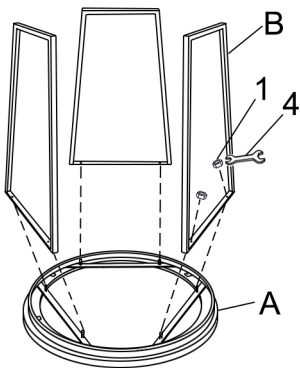
# ASSEMBLY INSTRUCTIONS

## Parts required

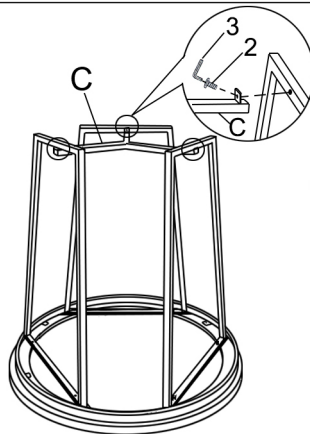
1		Nut	Φ6MM	6pcs
2		Bolt	Φ6*12MML	3pcs
3		Allen wrench		1pc
4		Wrench		1pc

A		1pc
B		3pcs
C		1pc

1.



2.



3.

