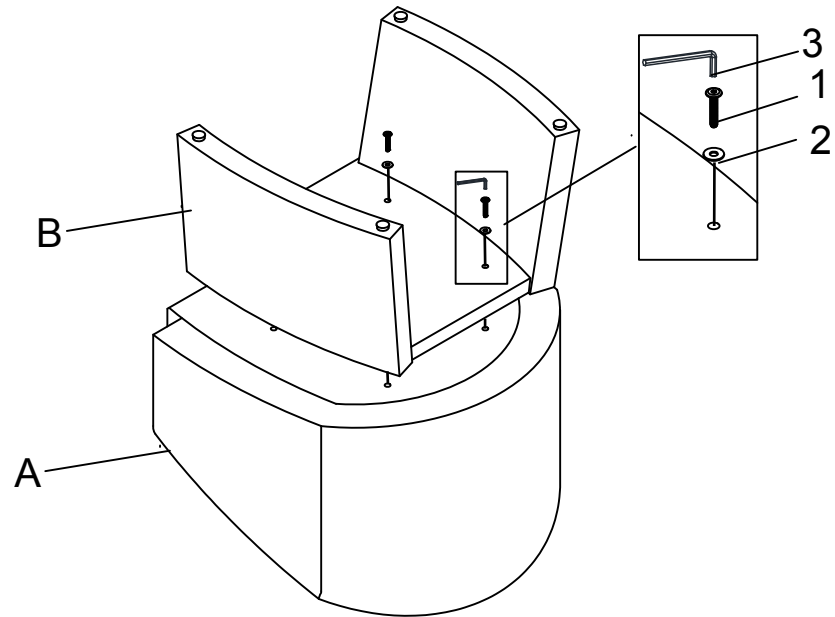


ASSEMBLY INSTRUCTION

1



PART LIST		
No	DESCRIPTION	QTY
A	SEAT	1PC
B	LEG	1PCS

HARDWARE LIST		
No	DESCRIPTION	QTY
1	BLOT	4PCS
2	FLAT WASHER	4PCS
3	ALLEN WRENCH	1PC

2

