

# MPRI424

## 24" REFRIGERATOR WITH CRESCENT ICE MAKER

### MARVEL PROFESSIONAL COLLECTION



#### MAIN FEATURES

- 3.9 cu ft. capacity stores up to 72 cans (12-oz)
- Crescent ice maker produces up to 7 lbs of ice per day and can store up to 13 lbs of ice
- 2 half-width cantilevered shelves and 1 full-width fixed shelf
- Dynamic cooling technology delivers rapid cool down, frost-free operation, and temperature stability
- Digital controls allow you to select a temperature from 34°F to 42°F
- Door ajar and high/low temperature alerts
- Adjustable LED theater-style lighting in arctic white or sapphire blue
- Elegant midnight black interior
- Professional styling: Robust full-length handle and stainless steel accents
- Reversible soft-close door allows for right or left swing
- Door lock provides added security
- Panel ready model requires 3/4" or 5/8" custom panel and handle (not supplied by Marvel)

#### WARRANTY

- 3-year parts and labor warranty with product registration and 5-year sealed system parts warranty (see complete warranty for details)

#### FINISH OPTIONS



##### DOOR STYLE

Solid Stainless Steel

Solid Panel Ready

##### MODEL NUMBER

MPRI424-SS31A

MPRI424-IS31A

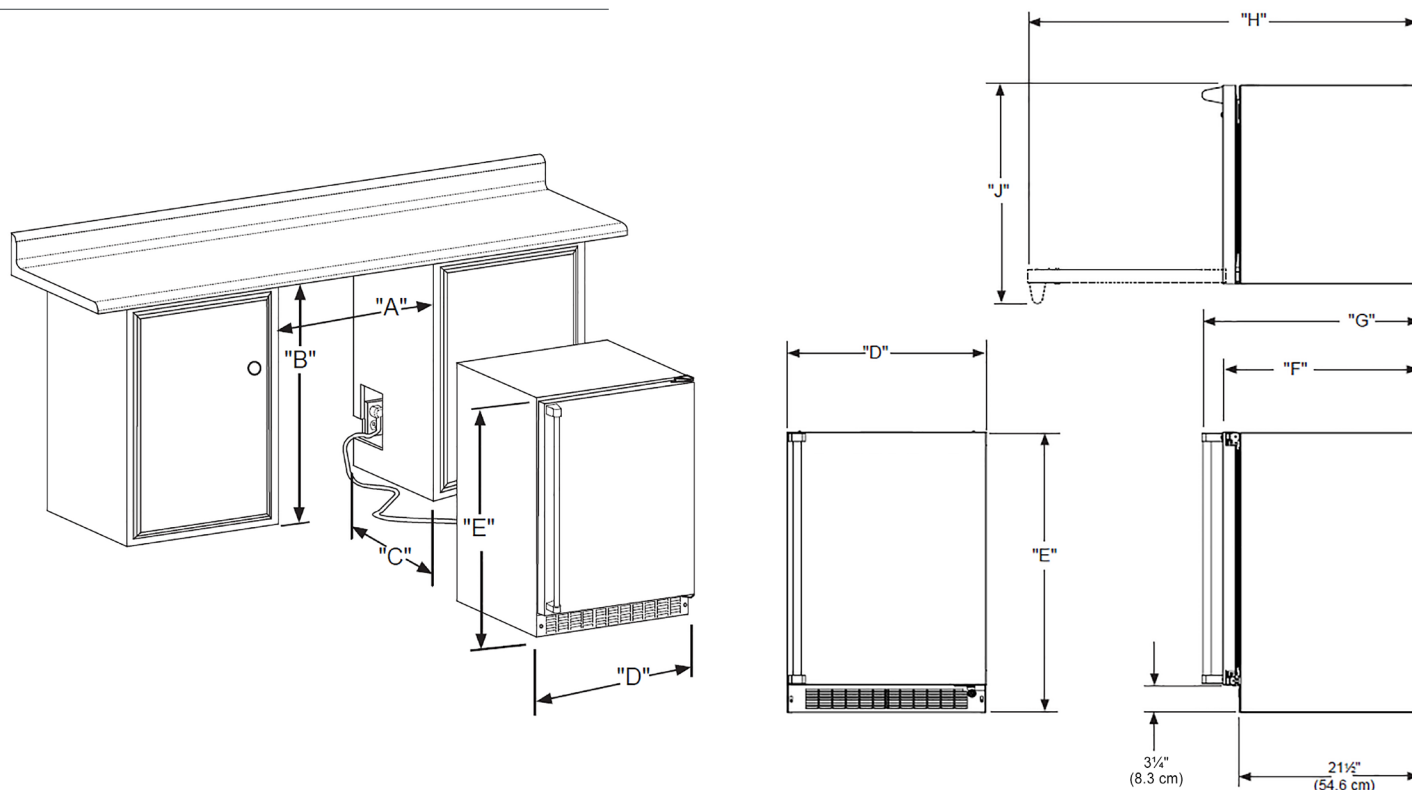


MPRI424

24" REFRIGERATOR  
WITH CRESCENT ICE MAKER



DIMENSIONAL DRAWINGS



ROUGH IN DIMENSIONS\*

"A"	"B"	"C"
24"	34" to 35"	24"
(61 cm)	(86.4 cm to 88.9 cm)	(61 cm)

CABINET DIMENSIONS\*

"D"	"E"	"F"	"G"	"H"	"J"
23-7/8"	33-3/4" to 34-3/4"	23-5/8"*	26-1/8"*	47-3/4"*	26-3/8"*
(60.7 cm)	(85.7 cm to 88.3 cm)	(60 cm)	(66.4 cm)	(121.3 cm)	(67 cm)

\*Stainless steel model dimensions only. For panel-ready models, see the owner's guide online at [marvelrefrigeration.com](http://marvelrefrigeration.com).

PRODUCT SPECIFICATIONS

<b>Capacity</b>	4.9 cu. ft.
<b>Cord Length</b>	6 ft.
<b>Electrical Requirements</b>	115V / 60 Hz / 15A
<b>ENERGY STAR</b>	Yes
<b>Panel Height</b>	30-7/16" (77.3 cm)
<b>Panel Thickness</b>	5/8" (1.6 cm) or 3/4" (1.9 cm)
<b>Panel Type</b>	2-3/4" (7 cm) Solid Panel
<b>Panel Width</b>	23-5/8" (60 cm)
<b>Refrigerant Type</b>	R600a

<b>Sabbath Mode</b>	Yes
<b>Shipping Dimensions</b>	28" W x 31" D x 37" H
<b>Shipping Weight</b>	160 lbs
<b>Temperature Range</b>	34°F to 42°F

For comprehensive installation instructions, including panel overlay details, please visit [marvelrefrigeration.com](http://marvelrefrigeration.com) to access the owner's guide. All specifications are subject to change without notice.

