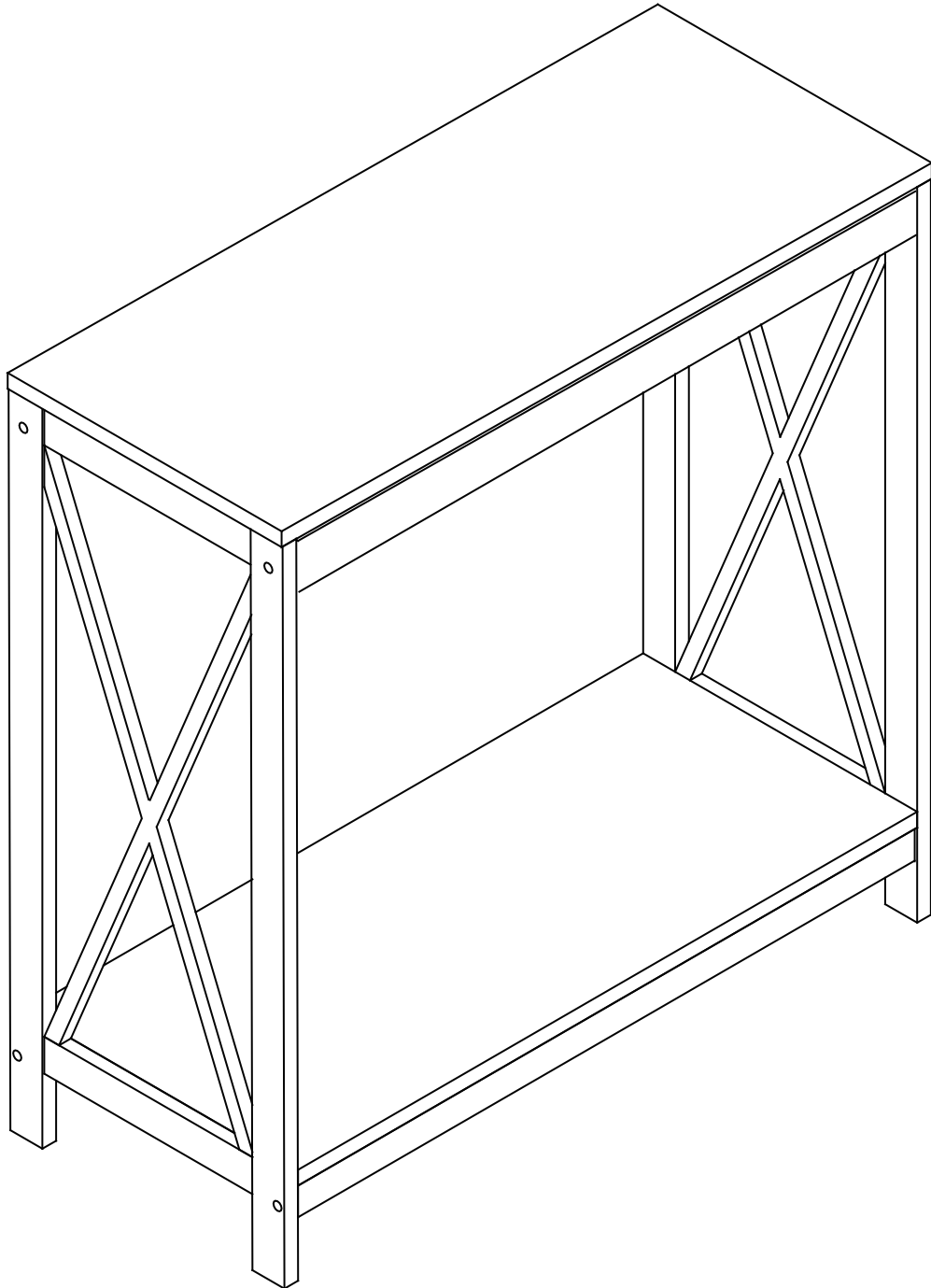
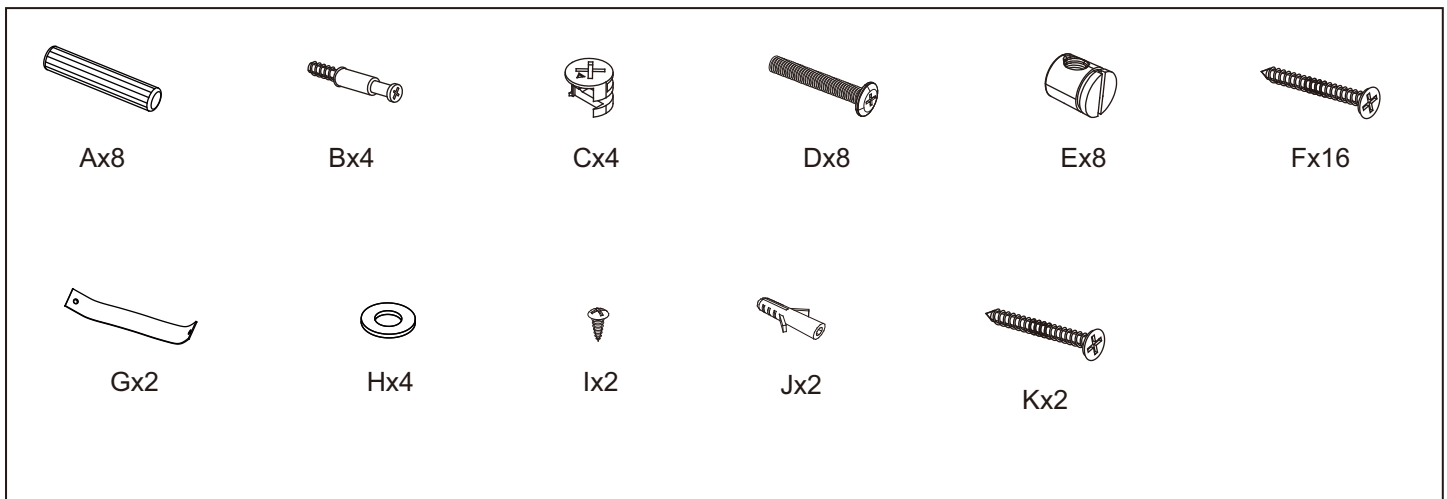
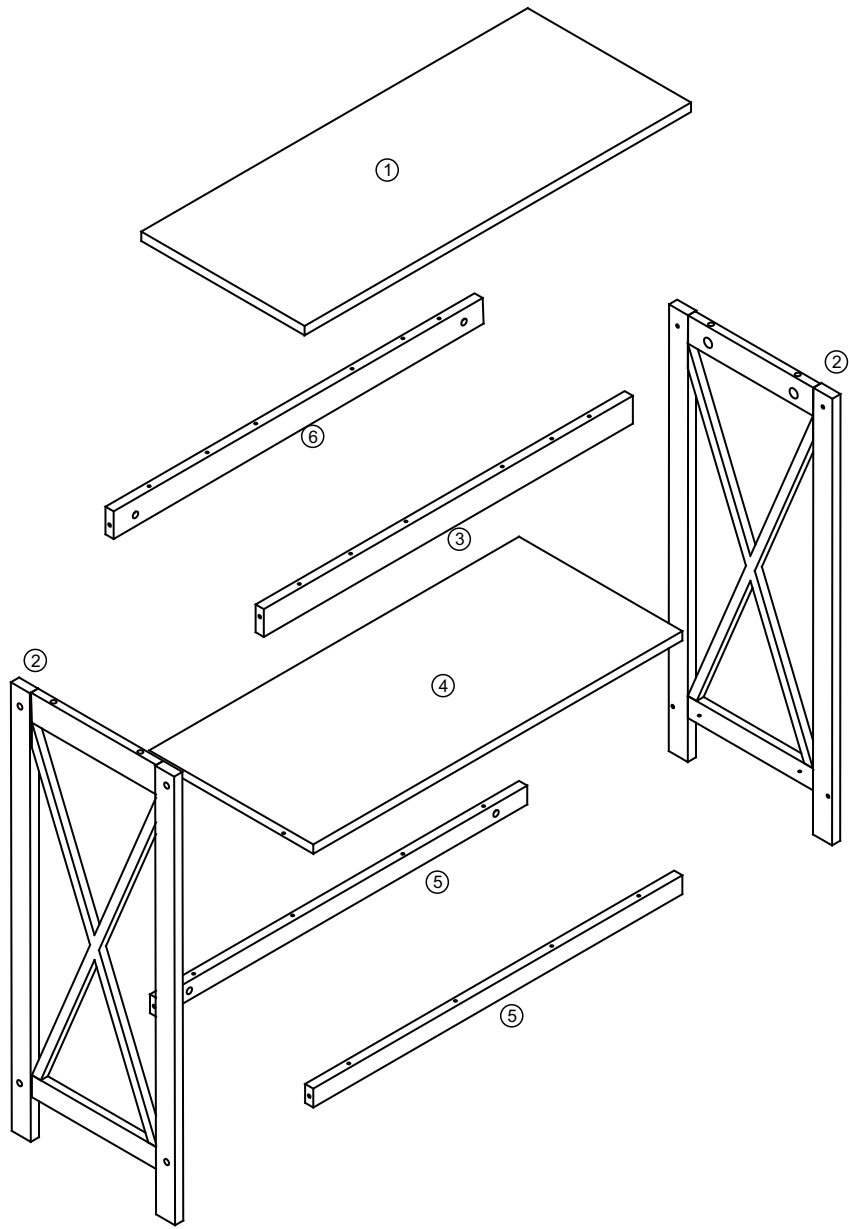
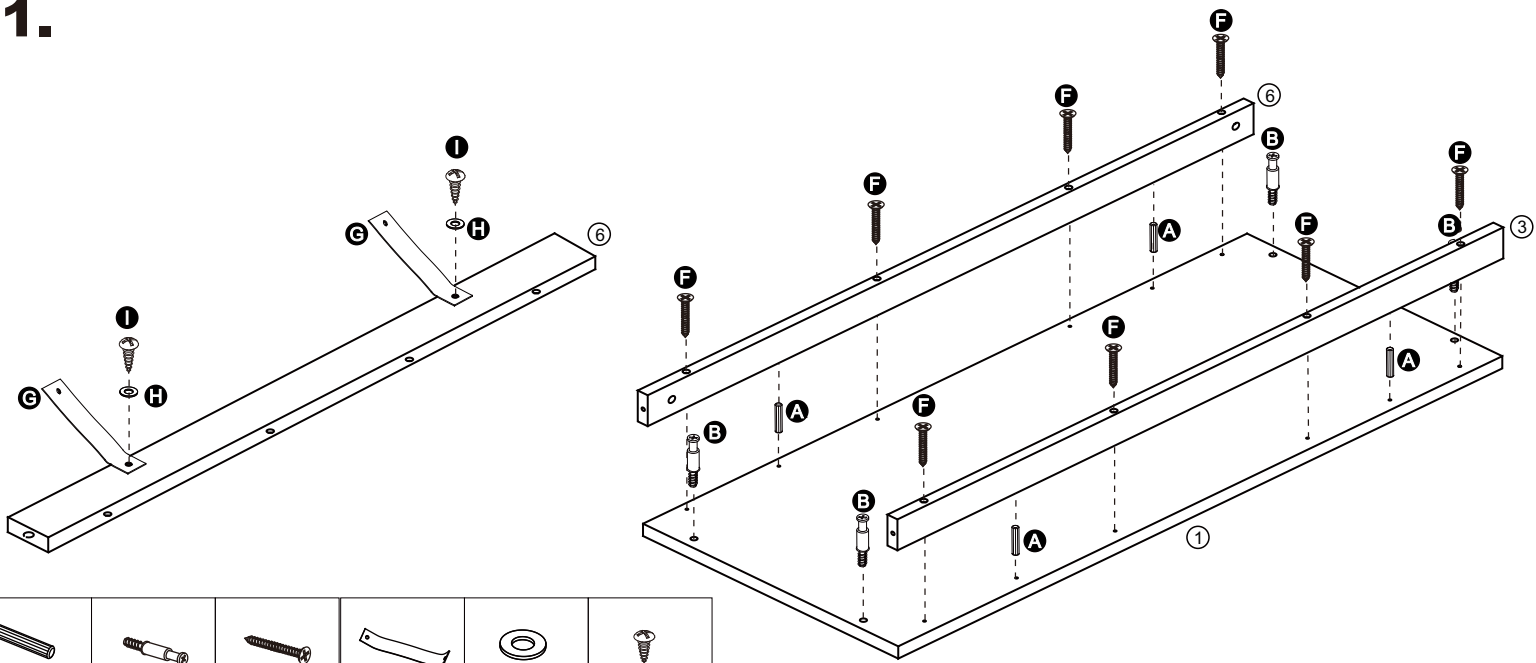



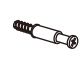




ASSEMBLY INSTRUCTION



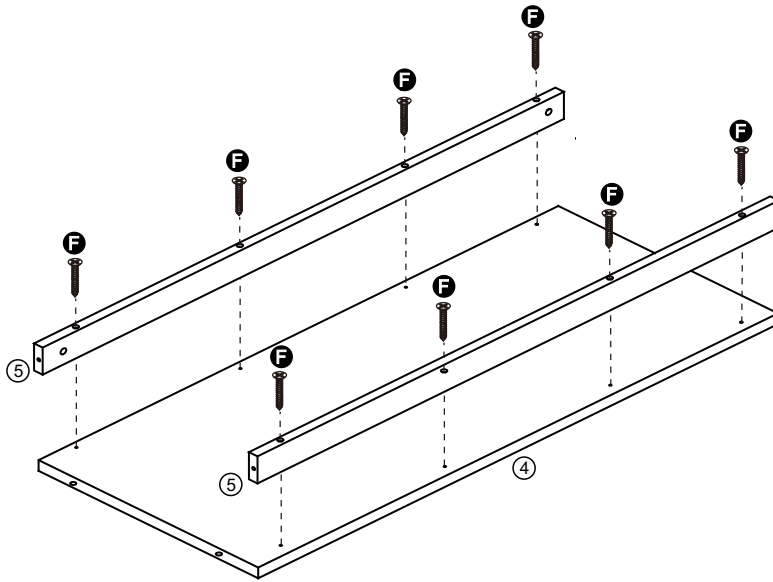



1.



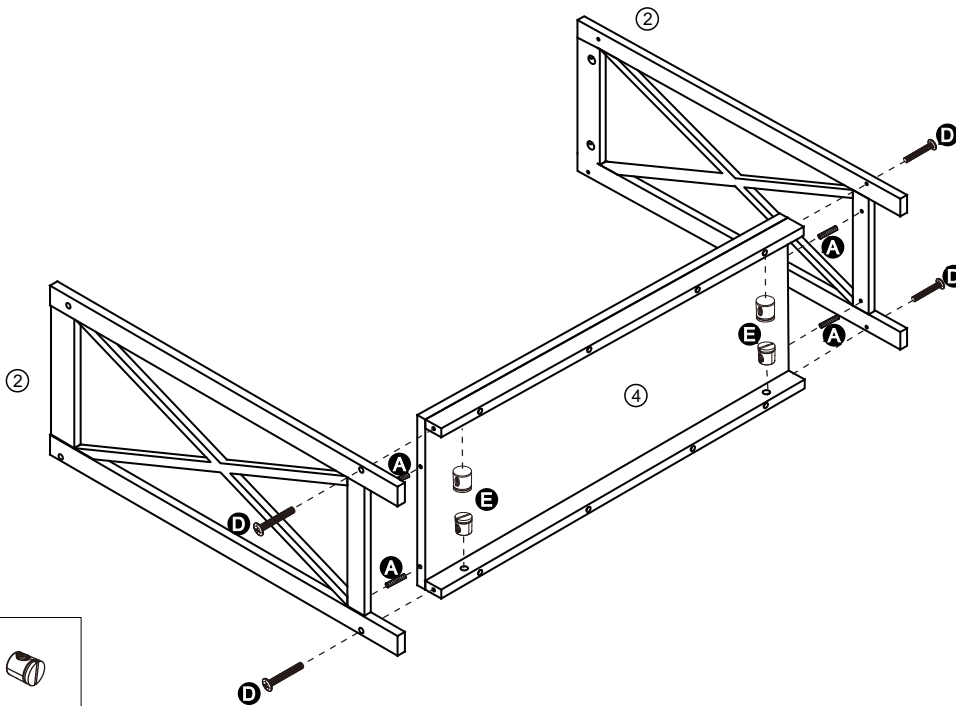
					
Ax4	Bx4	Fx8	Gx2	Hx2	Ix2

2.



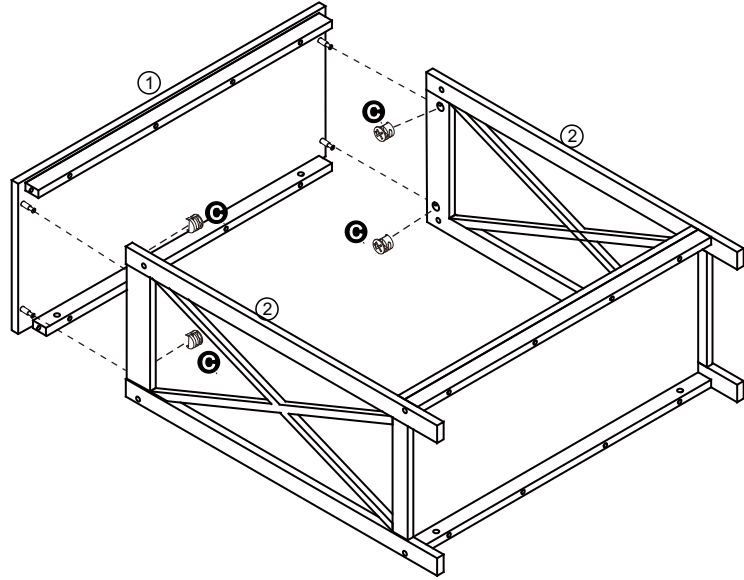

Fx8

3.



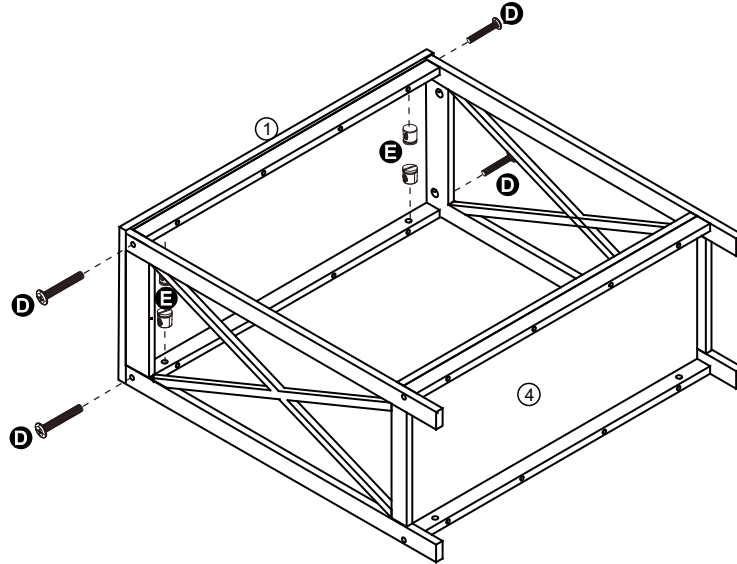
		
Ax4	Dx4	Ex4

4.



Cx4
Gx4

5.

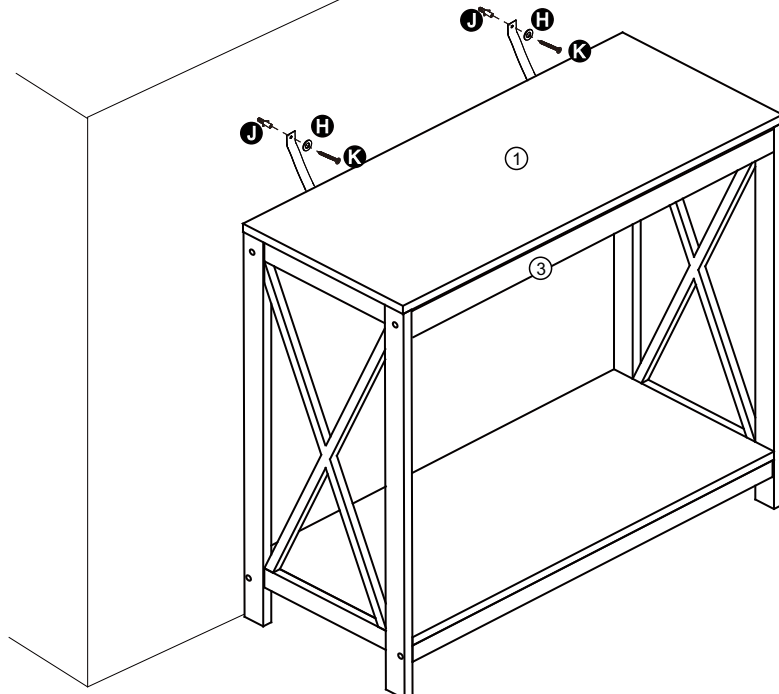


Dx4



Ex4

6.



Hx2



Jx2



Kx2