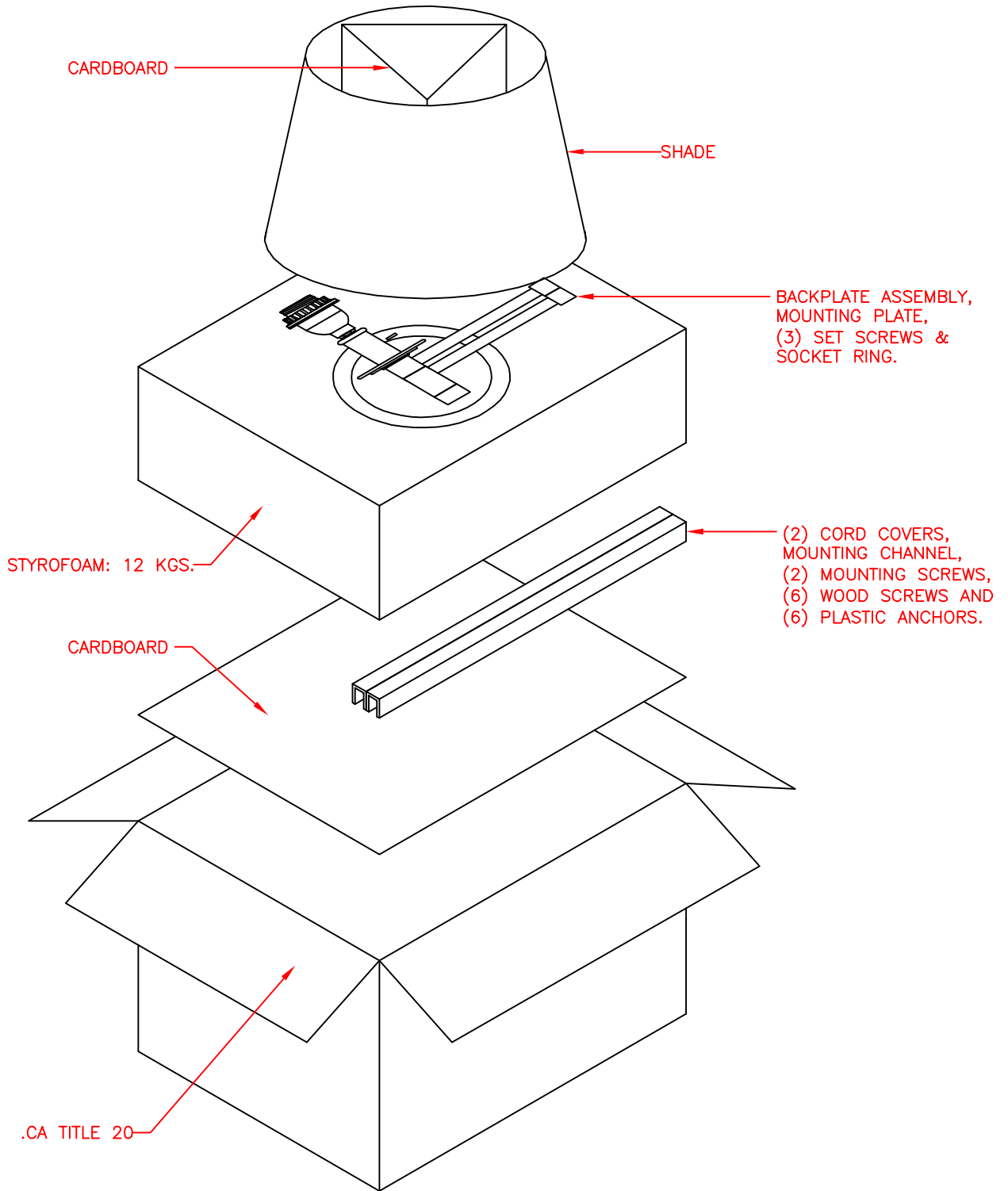
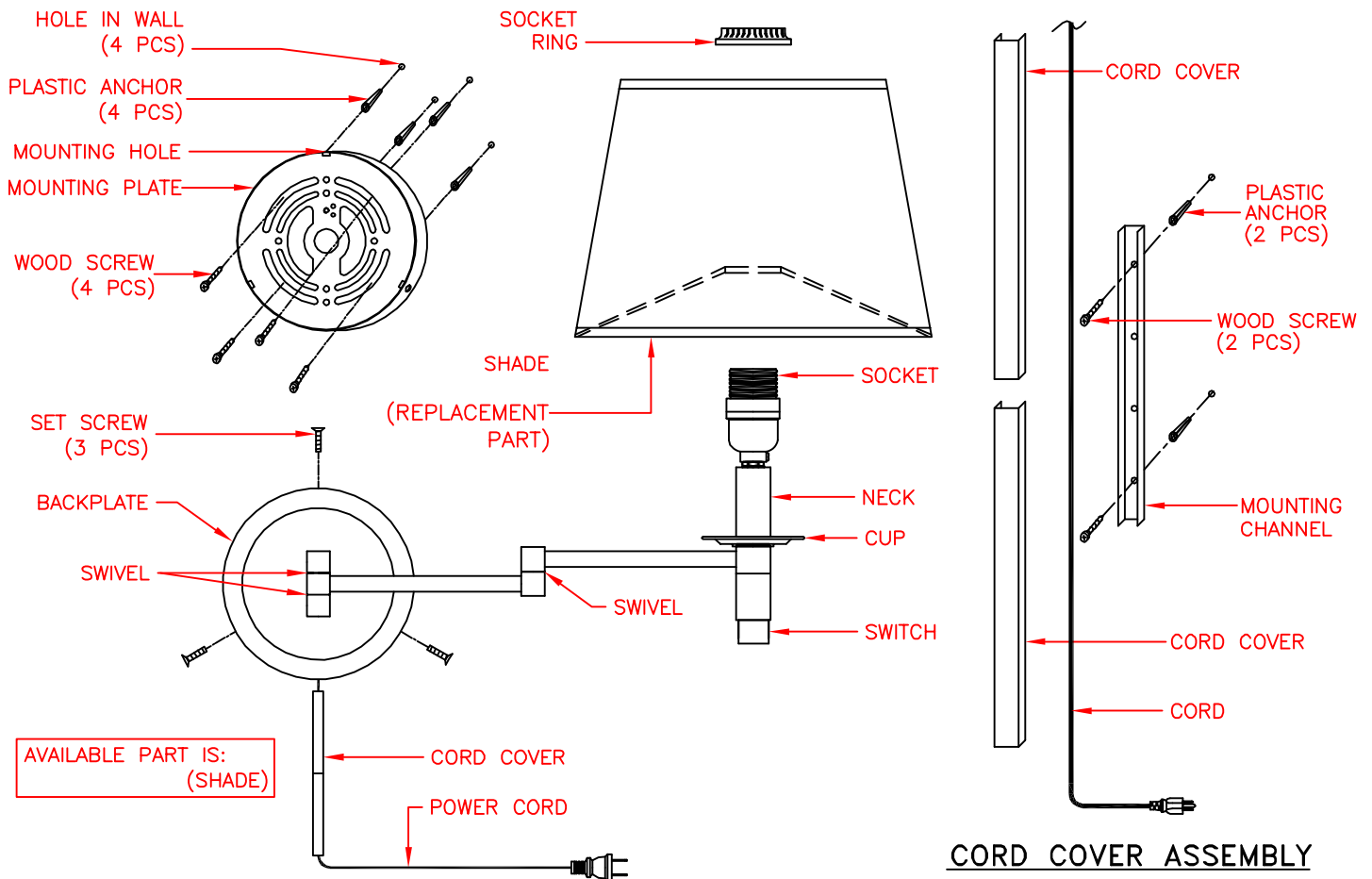


PACKING DIAGRAM





ASSEMBLY INSTRUCTIONS

READ AND SAVE THESE INSTRUCTIONS

READ INSTRUCTIONS ALL THE WAY THROUGH PRIOR TO ASSEMBLY.

THIS LAMP SHOULD TAKE APPROXIMATELY 5 MINUTES TO ASSEMBLE.

MAKE SURE ALL PARTS ARE FIRMLY TIGHTENED.

TOOLS: YOU WILL NEED THE FOLLOWING TOOLS OR EQUIPMENT: SCREWDRIVER, DRILL AND PLIERS.

UNPACK THE LAMP

YOU SHOULD HAVE RECEIVED THE FOLLOWING PARTS IN THE PACKAGE: BACKPLATE ASSEMBLY, SHADE, SOCKET RING. TO PROTECT THE FINISHES, PLACE ALL PARTS ON A SOFT SURFACE.

MOUNTING HARDWARE PACKAGE:

(2) CORD COVERS, MOUNTING CHANNEL, (2) 8/32 x 1-1/4" MOUNTING SCREWS, (6) WOOD SCREWS AND (6) PLASTIC ANCHORS.

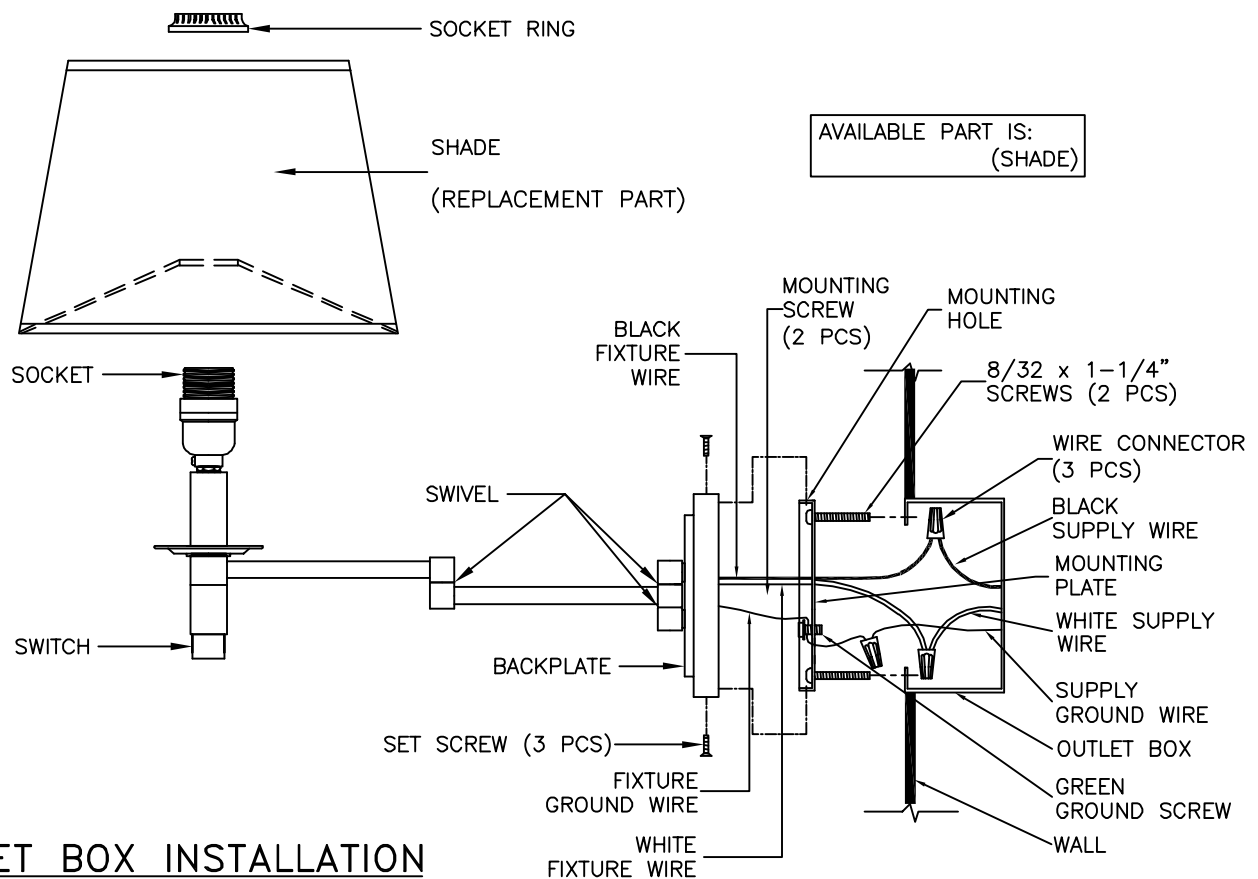
ASSEMBLE THE LAMP:

NOTE: IF USING POWER CORD FOLLOW INSTRUCTIONS BELOW. IF WIRING TO AN OUTLET BOX PROCEED TO OUTLET BOX INSTALLATION INSTRUCTIONS.

ASSEMBLE THE FIXTURE:

1. REMOVE THE MOUNTING PLATE FROM THE BACKPLATE ASSEMBLY BY UNSCREWING THE (3) SET SCREWS.
2. POSITION THE MOUNTING PLATE ON THE WALL AT DESIRED LOCATION AND MARK THE PLACE FOR THE PLASTIC ANCHORS TO BE INSTALLED.
3. DRILL PILOT HOLES ON THE MARKED SPOTS AND INSERT PLASTIC ANCHORS. (IF FASTENING WITH WOOD SCREWS TO STUD, SKIP THIS STEP). (NOTE: THE MOUNTING PLATE SHOULD BE MOUNTED ON A WALL STUD USING A SCREWDRIVER. IF MOUNTING ON A HOLLOW AREA, DRILL 1/4" PILOT HOLES AND INSERT PLASTIC ANCHORS WHERE THE LOCATION WAS MARKED.)
4. ATTACH THE MOUNTING PLATE TO THE PLASTIC ANCHORS OR THE SPOTS THAT YOU MARKED ON STUD AND SECURE WITH (4) WOOD SCREWS. MAKE SURE ONE OF THE MOUNTING HOLE ON MOUNTING PLATE FACING UPWARD.
5. RAISE THE BACKPLATE ASSEMBLY TO THE WALL, LINE UP HOLES IN MOUNTING PLATE WITH HOLES IN BACKPLATE AND SECURE WITH THE (3) SET SCREWS REMOVED ABOVE.
6. PLACE SHADE OVER SOCKET AND SECURE WITH SOCKET RING.
7. INSTALL A 100 WATT MAX. MEDIUM BASE TYPE "A" BULB (NOT INCLUDED) INTO SOCKET.
8. TO INSTALL CORD COVER, MOUNT CHANNEL ON THE WALL WITH WOOD SCREWS AND PLASTIC ANCHORS. (SEE ABOVE) WITH CORD BEHIND COVERS, PRESS CORD COVERS ONTO CHANNEL.
9. PLUG THE POWER CORD INTO AN OUTLET AND TURN ON AT SWITCH.





OUTLET BOX INSTALLATION

READ AND SAVE THESE INSTRUCTIONS

CAUTION: TO AVOID POSSIBLE ELECTRIC SHOCK, MAKE SURE THE ELECTRICITY IS SHUT OFF AT THE MAIN PANEL. IF YOU ARE REPLACING AN EXISTING FIXTURE, FIRSTLY, TURN THE FIXTURE OFF. NEXT, TURN THE WALL SWITCH OFF. FINALLY, GO TO THE MAIN FUSE OR BREAKER BOX IN YOUR HOME. TURN THE FUSE OR BREAKER TO THE OFF POSITION. SOME TYPES OF FUSES MUST BE UNSCREWED TO SHUT OFF THE POWER.

* ALL WIRING MUST BE DONE IN ACCORDANCE WITH NATIONAL AND LOCAL ELECTRIC CODES.

** IF YOU DO NOT HAVE ELECTRICAL WIRING EXPERIENCE, HAVE YOUR FIXTURE INSTALLED BY A QUALIFIED LICENSED ELECTRICIAN.

*** THIS FIXTURE IS TO BE MOUNTED TO A UL LISTED OUTLET BOX CAPABLE OF SUPPORTING THE WEIGHT OF THIS FIXTURE. THE OUTLET BOX MUST BE DIRECTLY SUPPORTED BY THE BUILDING STRUCTURE.

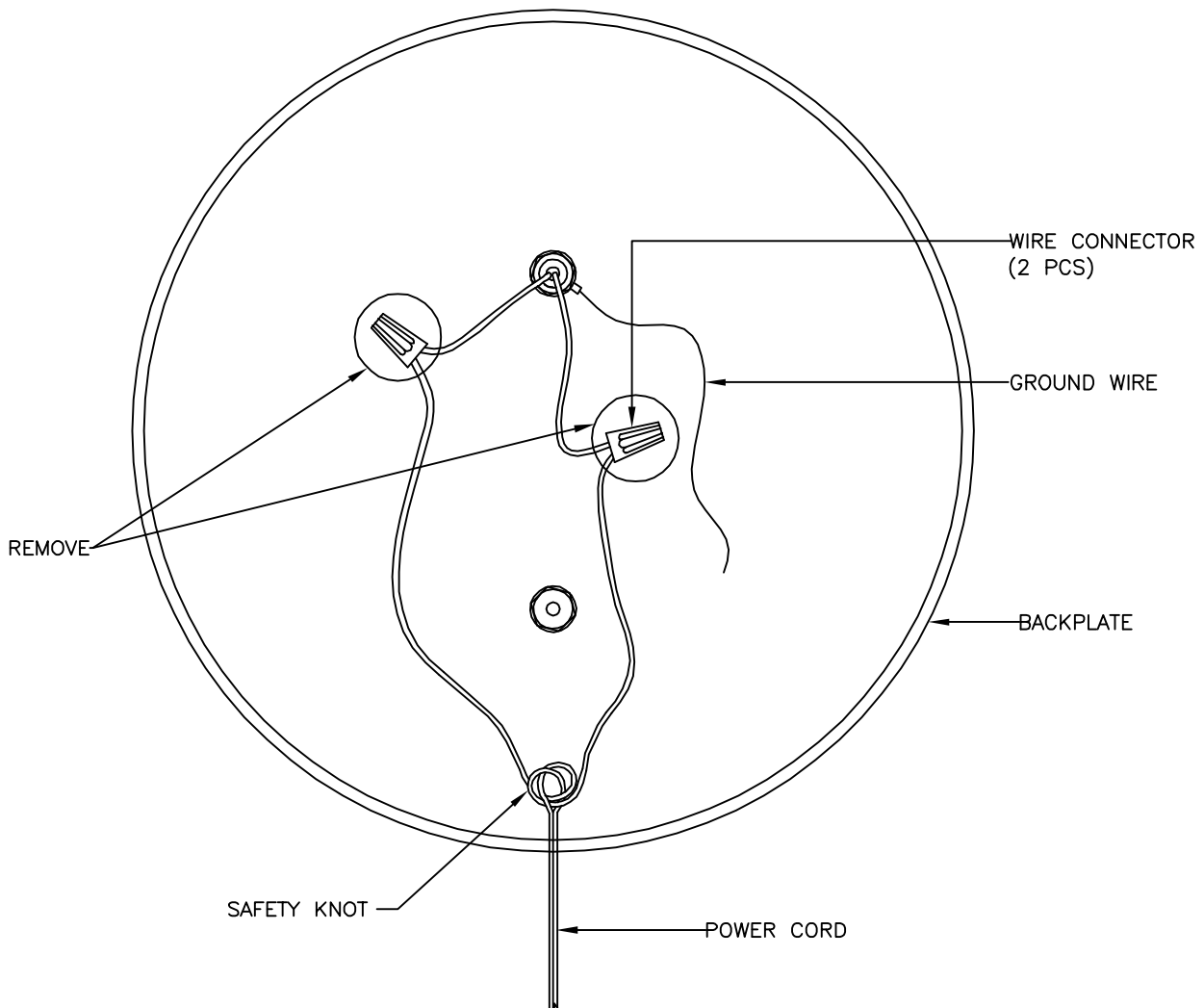
NOTE: IF WIRING TO OUTLET BOX FOLLOW INSTRUCTIONS BELOW. IF USING POWER CORD, PROCEED TO ASSEMBLY INSTRUCTIONS.

INSTALL THE FIXTURE

1. REMOVE THE MOUNTING PLATE FROM THE BACKPLATE ASSEMBLY BY UNSCREWING THE (3) SET SCREWS.
2. REMOVE POWER CORD. (REFER TO "REMOVING THE POWER CORD" INSTRUCTIONS).
3. ATTACH MOUNTING PLATE TO OUTLET BOX USING TWO SCREWS PROVIDED WITH THE OUTLET BOX. (NOTE: IF THE SCREWS WITH THE OUTLET BOX ARE TOO SHORT, USE THE (2) 8-32 x 1-1/4" SCREWS PROVIDED IN THE MOUNTING HARDWARE PACKAGE). MAKE SURE ONE OF THE MOUNTING HOLE ON MOUNTING PLATE FACING UPWARD.
4. CONNECT THE WHITE OR RIBBED FIXTURE WIRE TO THE WHITE SUPPLY WIRE IN THE OUTLET BOX USING THE TWIST-ON WIRE CONNECTOR PROVIDED. CONNECT THE BLACK OR SMOOTH FIXTURE WIRE TO THE BLACK SUPPLY WIRE IN THE SAME MANNER. INSTALL THE FIXTURE GROUND WIRE UNDER THE GREEN GROUND SCREW ON THE MOUNTING PLATE THEN CONNECT THE FIXTURE GROUND WIRE TO THE SUPPLY GROUND WIRE IN THE OUTLET BOX USING THE TWIST-ON WIRE CONNECTOR PROVIDED.
5. RAISE BACKPLATE ASSEMBLY TO THE WALL AND CAREFULLY TUCK THE WIRES INSIDE THE OUTLET BOX. SPREAD THE ELECTRICAL SPLICES SO THAT THE BLACK WIRES ARE ON ONE SIDE OF THE OUTLET BOX AND THE WHITE WIRES ARE ON THE OTHER SIDE. LINE UP HOLES IN MOUNTING PLATE WITH HOLES IN BACKPLATE AND SECURE WITH THE (3) SET SCREWS REMOVED ABOVE.
6. PLACE SHADE OVER SOCKET AND SECURE WITH SOCKET RING.
7. INSTALL A 100 WATT MAX. MEDIUM BASE TYPE "A" BULB (NOT INCLUDED) INTO SOCKET.
8. RESTORE POWER AND TURN ON AT SWITCH, YOUR NEW FIXTURE IS NOW READY FOR USE.



REMOVING THE POWER CORD



REMOVING THE POWER CORD

* THE POWER CORD IS THE WIRE THAT ENTERS THROUGH THE BOTTOM OF BACKPLATE.

1. REMOVE THE (2) WIRE CONNECTORS THAT CONNECT TO POWER CORD BY TWISTING COUNTER CLOCKWISE. (SEE DIAGRAM)
2. UNTIE SAFETY KNOT AND PULL POWER CORD OUT THROUGH BOTTOM OF BACKPLATE.
3. FOLLOW OUTLET BOX INSTALLATION INSTRUCTIONS FOR WIRING TO AN OUTLET BOX.

