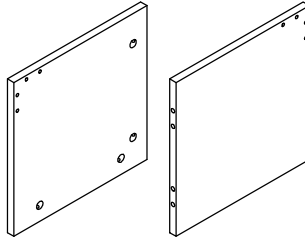


Ax2



Bx2



Cx1



Dx8



Ex8



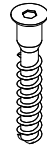
Fx8



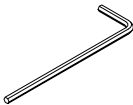
Gx4



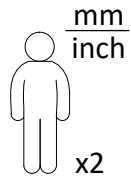
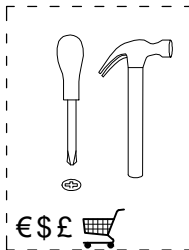
Hx4



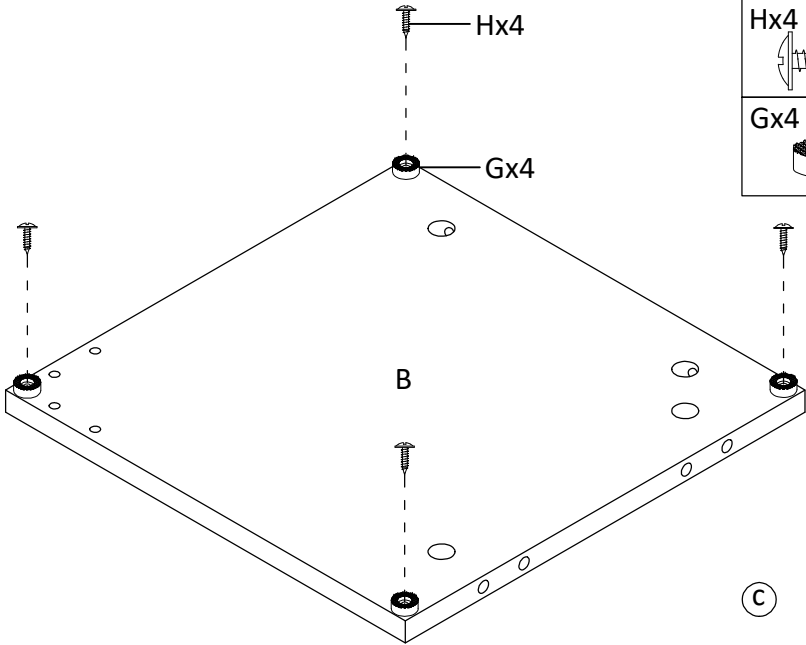
Ix4



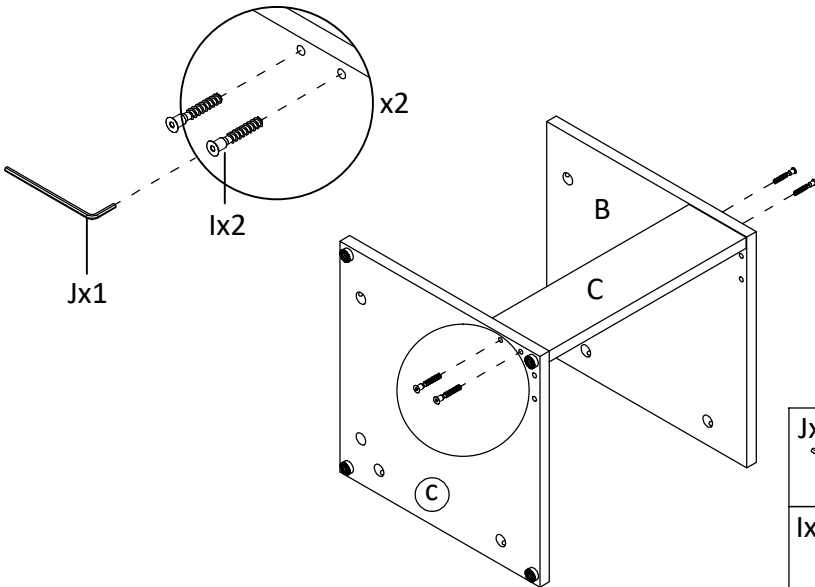
Jx1



1



2



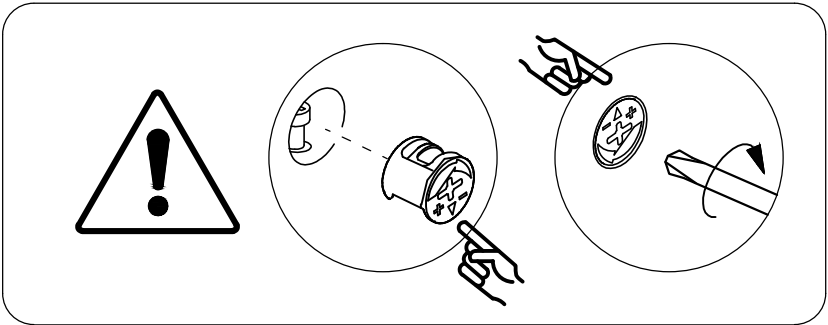
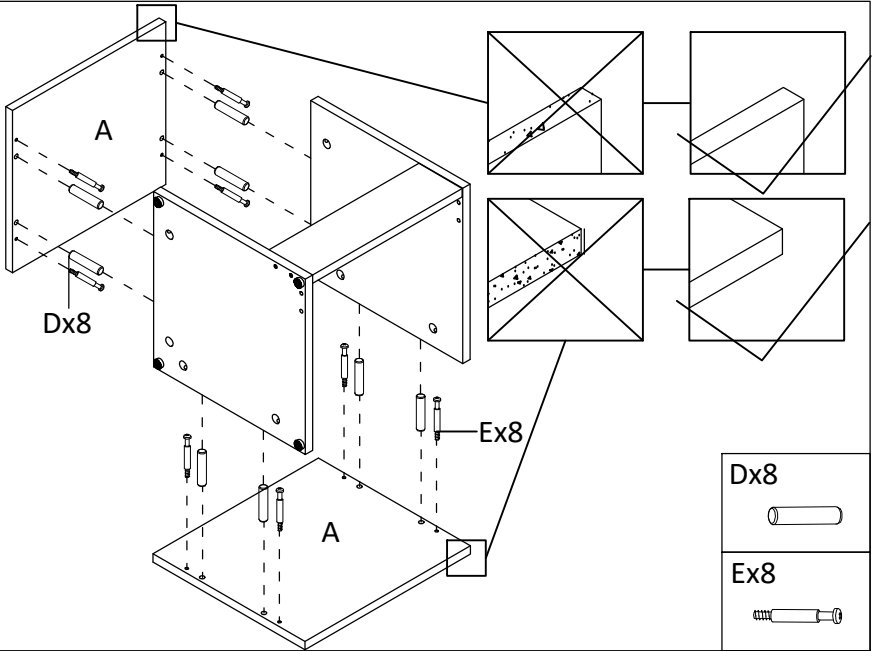
Jx1



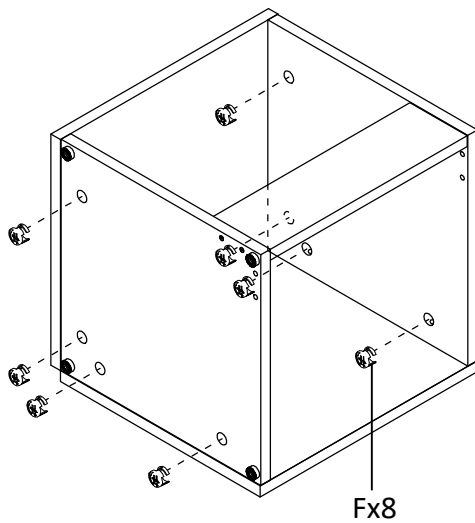
lx4



3



4



Fx8



5

