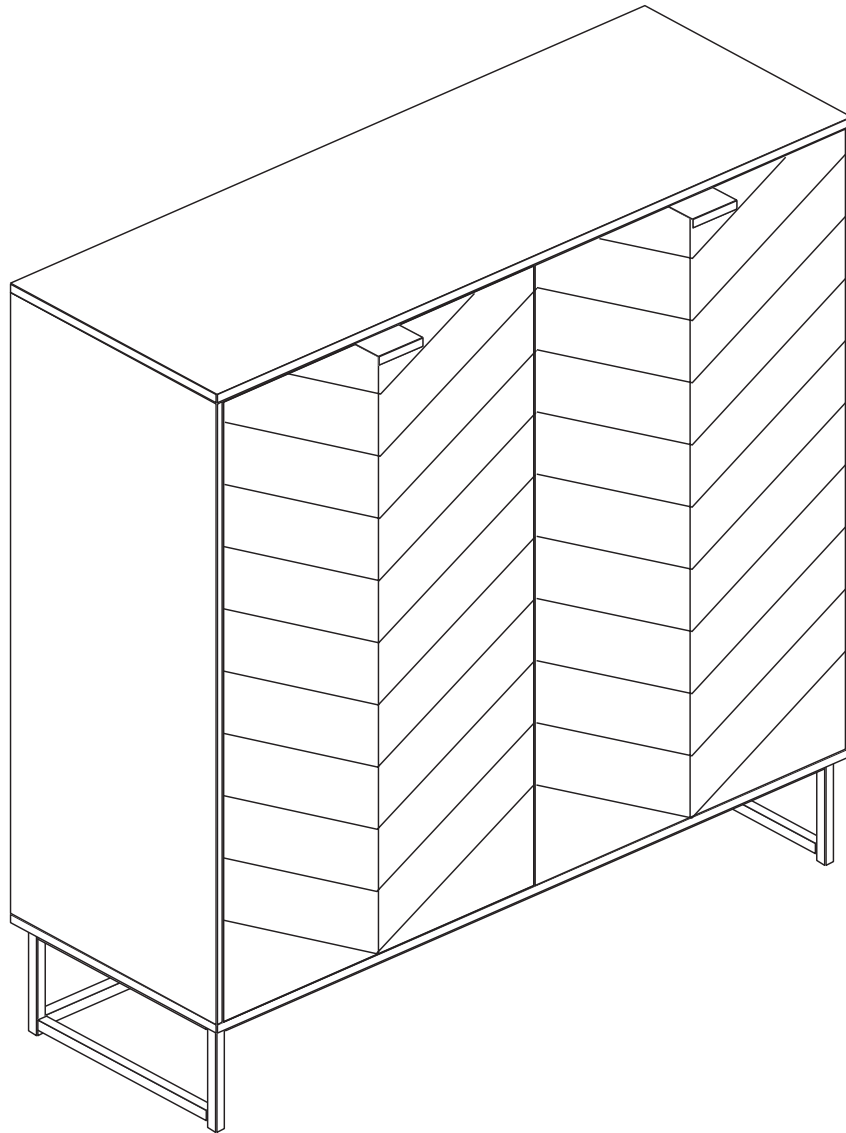


Let's build the

Enloe Storage Unit

SKU 71201



Scan me!

Free Lifetime
Warranty

nathan james

23-0213

Ok, let's get rolling

This should be easy, just follow our instructions and you will be back to Netflix in no time.

Estimated time for assembly



60:00

What you need

- (#2) Phillips-head screwdriver
- 1/4" Drill bit and drill for anchoring with anti-tip kit
- Some of your favourite bubbly or your preferred relaxant
- Use the packaging carton as a working surface to prevent product damage during assembly

Weight Limitation



90

lbs for top

20

lbs per shelf

Toll-free at 1-866-619-1004

Help@nathanjames.com

Nathanjames.com/help

What's included

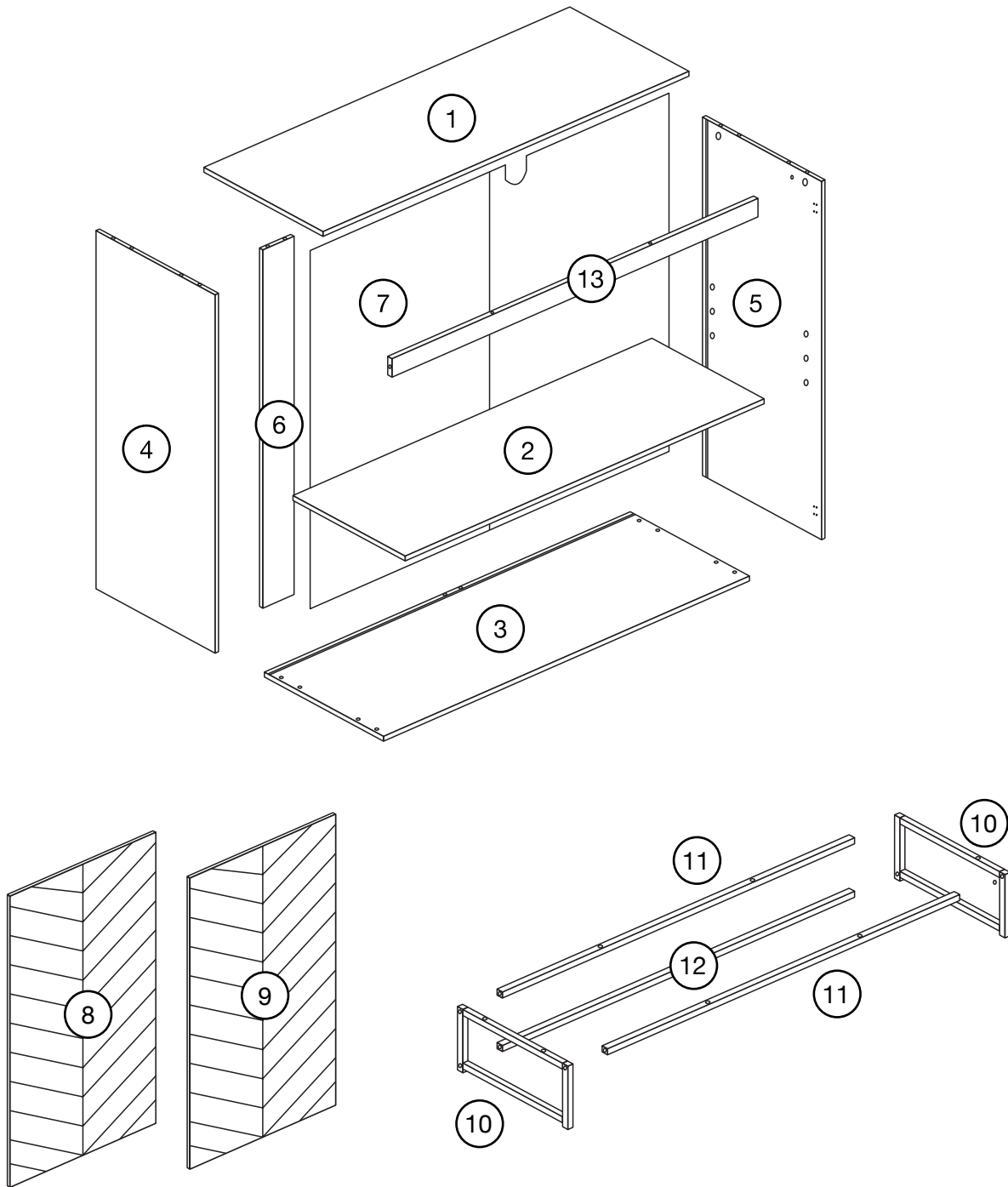
Description	Qty
1 Top Panel	1
2 Shelf	1
3 Bottom Panel	1
4 Left Panel	1
5 Right Panel	1
6 Back Vertical Stretcher	1
7 Back Panel	1
8 Left Door	1
9 Right Door	1
10 Base	2
11 Top Metal Stretcher	2
12 Bottom Metal Stretcher	1
13 Stretcher	1

Scan me!

Inspiration
Digital Instructions
Free Lifetime Warranty



The goods



IMPORTANT

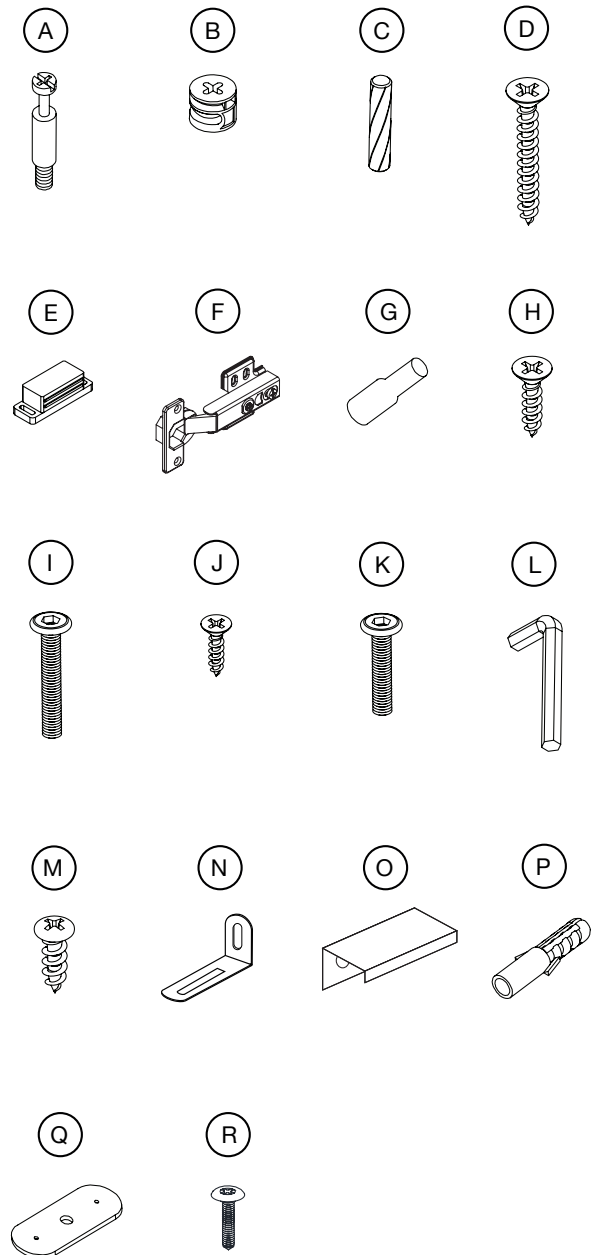
1. Do not tighten bolts / screws completely until all bolts / screws are lined up and inserted into holes.
2. Do not over tighten screws and bolts to avoid stripping.



What's included

Description	Qty
A M6*35mm Cam Bolt	8
B 15x10mm Cam Lock	8
C M6*30mm Wood Dowel	8
D M4*35mm Screw	9
E Magnetic Door Catch	2
F Hinge	4
G Shelf Pin	4
H M4*14mm Screw	24
I M6*40mm Bolt	6
J M3*12mm Screw	8
K M6*30mm Bolt	8
L Allen Key	1
M M4*14mm Screw	1
N Anti-tip Bracket	1
O Handle	2
P Wall Anchor	1
Q Door Catch Plate	4
R M3*14mm Screw	4

The goods

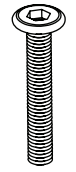


Step 1

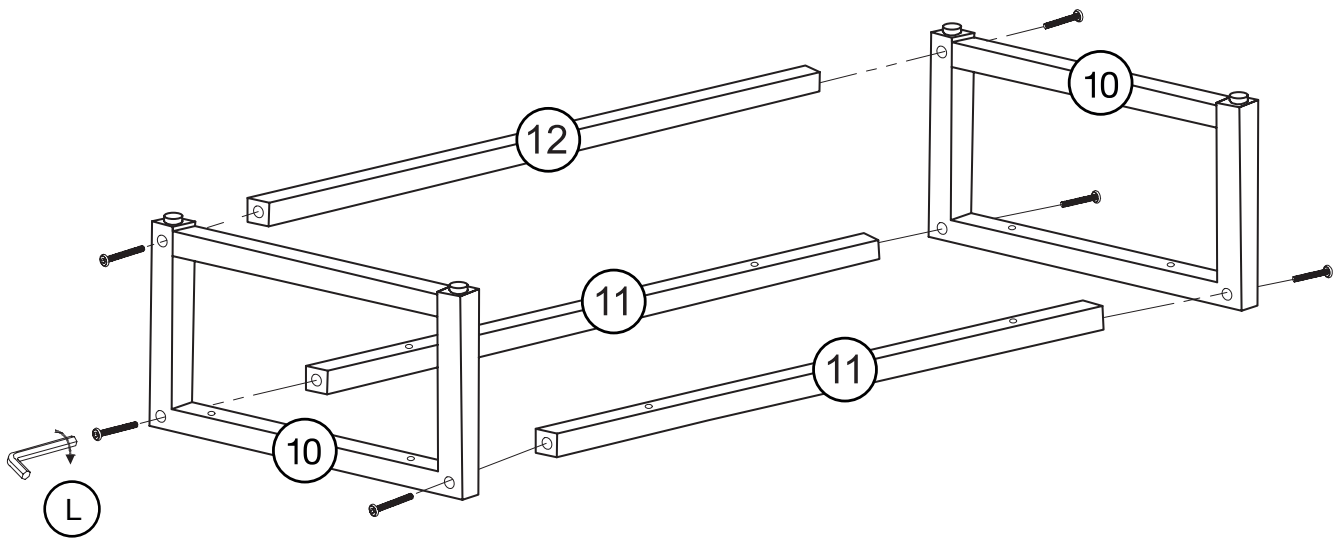
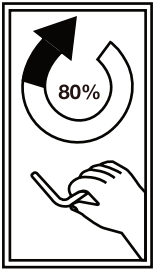
Let's get this thing fired up! Lay down packaging carton or use carpet as a working surface.

Attach the Top Metal Stretchers (11) and Bottom Metal Stretcher (12) to the Bases (10) using the M6*40mm Bolts (I). Partially tighten using the provided Allen Key (L).

I



X6

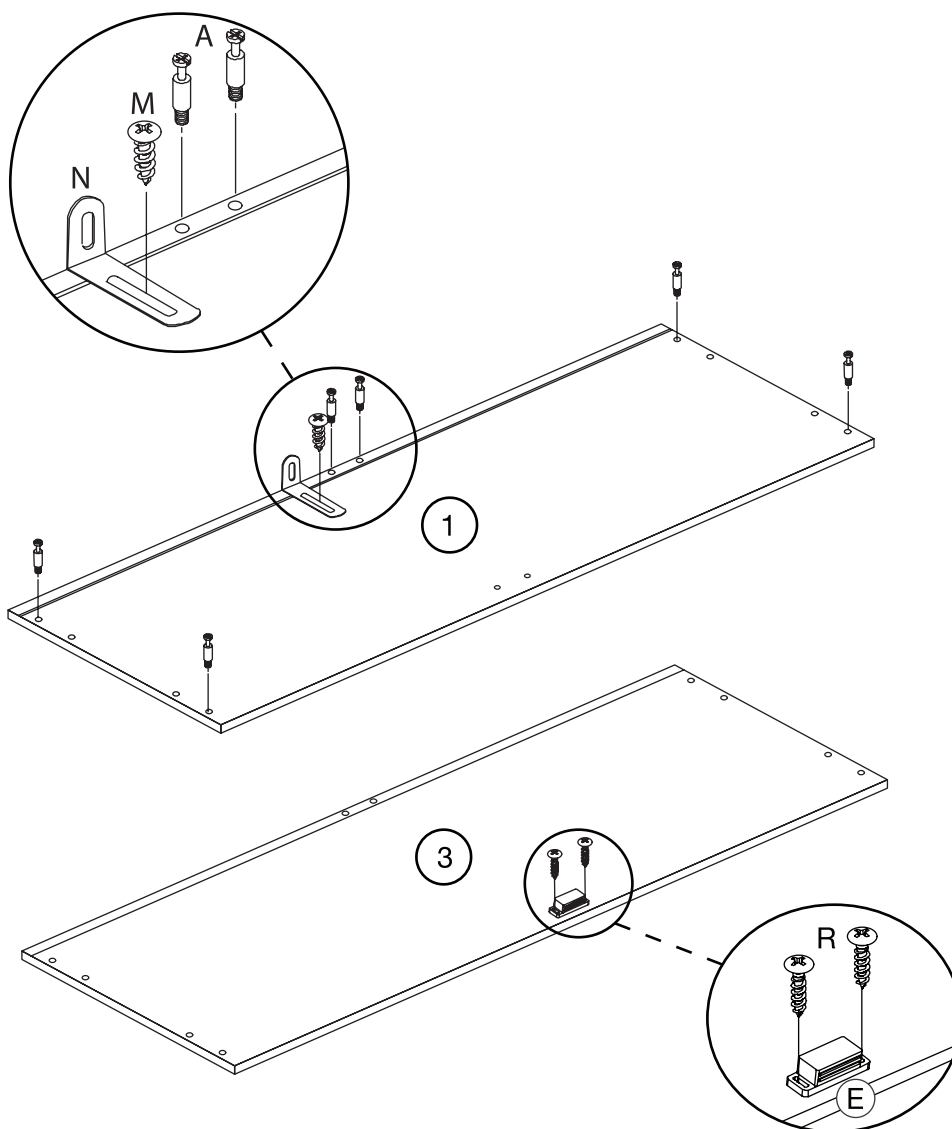
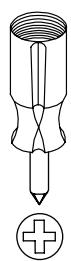
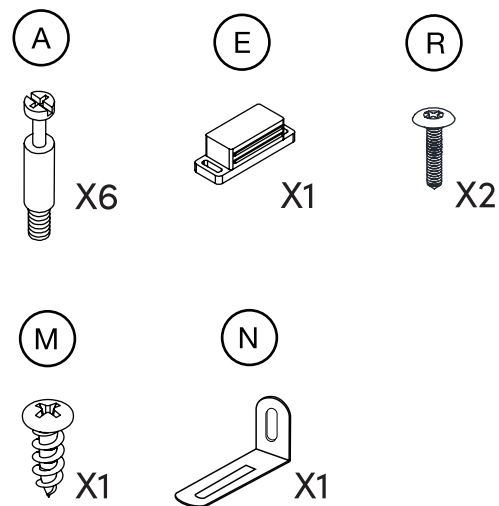


Step 2

First, attach the Anti-Tip Bracket (N) to the Top Panel (1) using a M4*14mm Screw (M).

Next, screw six Cam Bolts (A) into the corners and back center of the Top Panel (1).

Lastly, attach one of the Magnetic Door Catches (E) to ONLY the Bottom Panel (3) using an M3*14mm Screw (R).

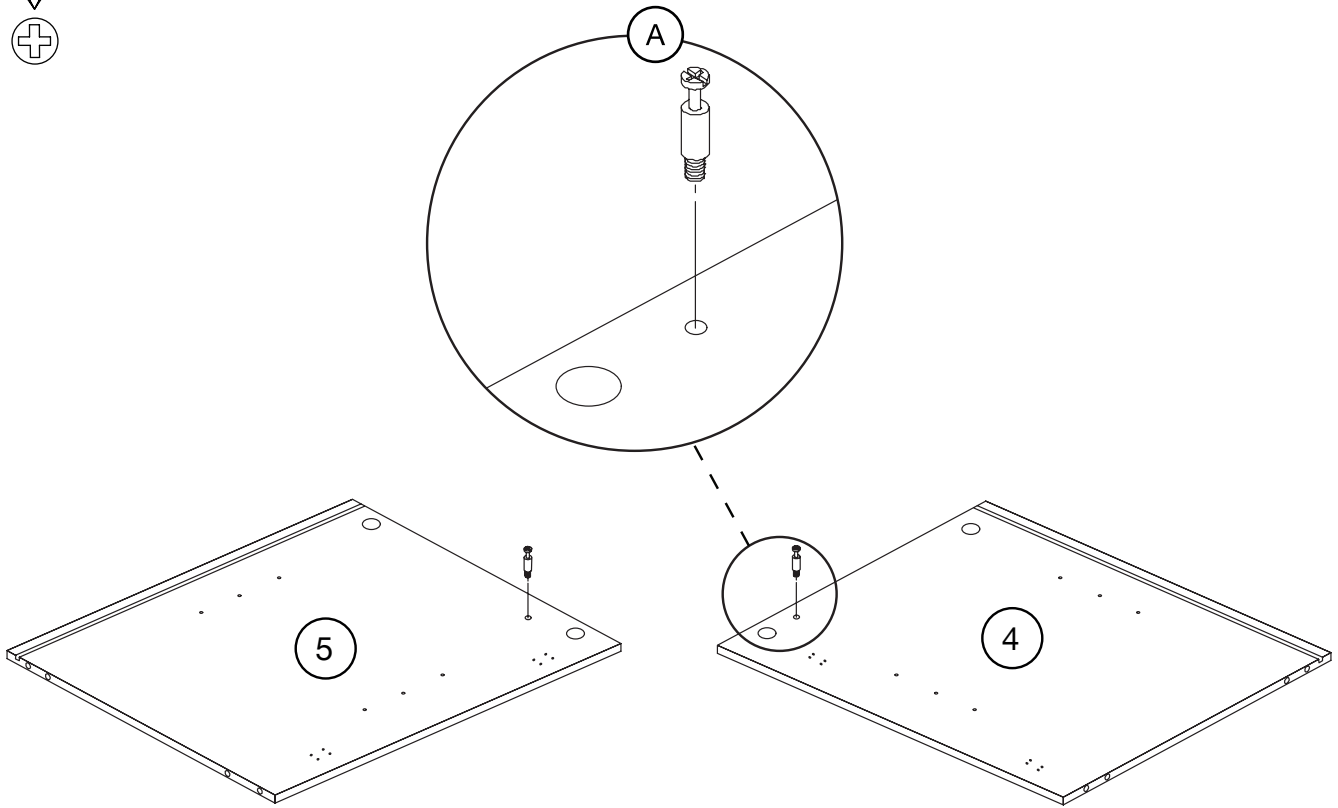
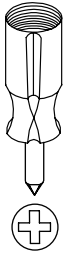
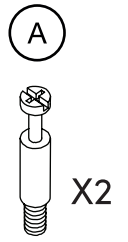


INSTALL IN BOTTOM PANEL (3) ONLY
(top panel comes later)



Step 3

Grab the Right Panel (5) and the Left Panel (4) and screw one of the Cam Bolts (A) into the corner of each panel as shown below.



Step 4

Insert four Wood Dowels (C) into the Top Panel (1).
Now place the Left Panel (4) and Right Panel (5) onto the Dowels (C) and push together. Make sure to line things up as shown below.

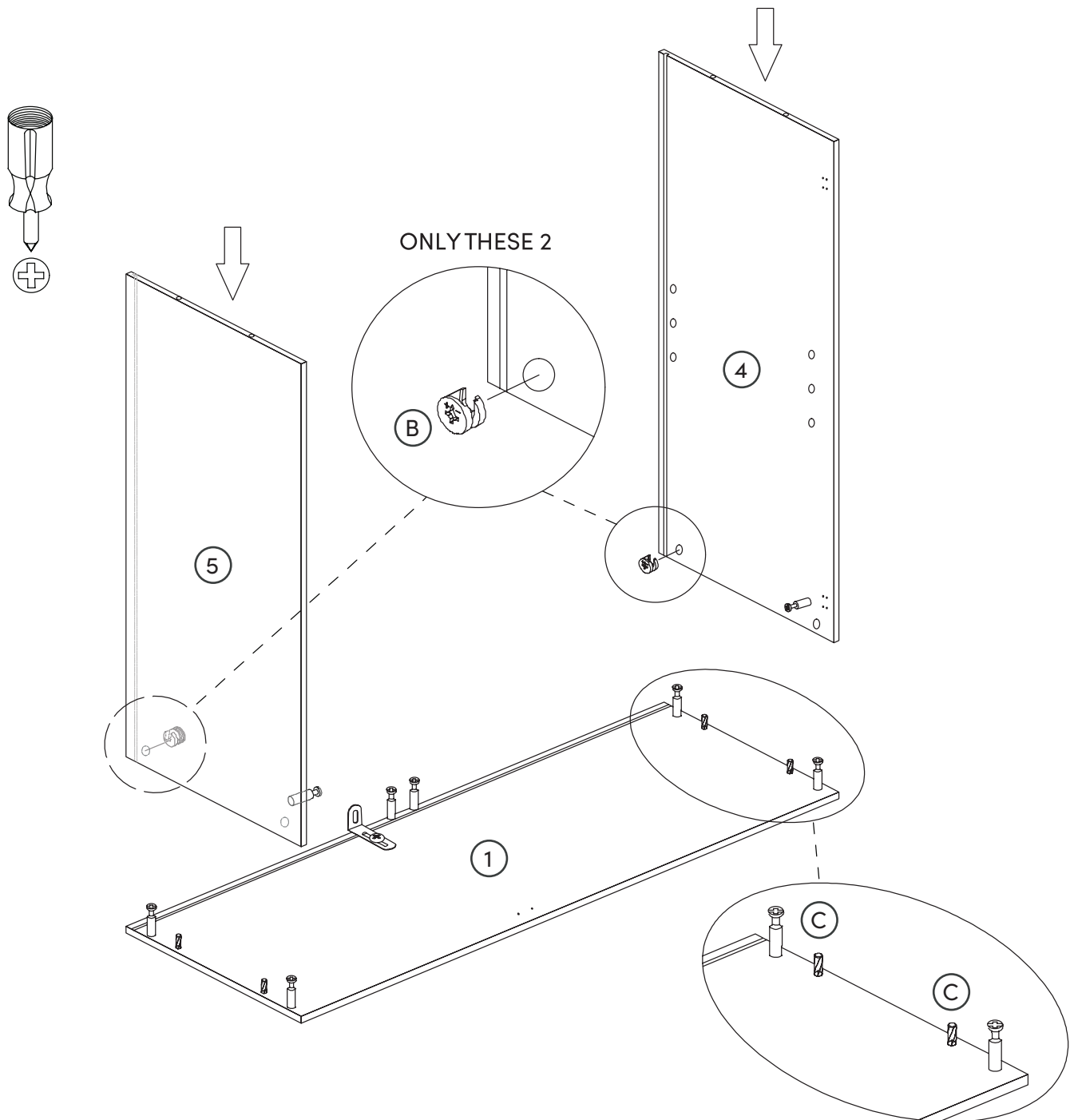
Finish this step by using two Cam Locks (B) to secure the backs ONLY of the Left (4) and Right (5) Panels.



X2



X4



Step 5

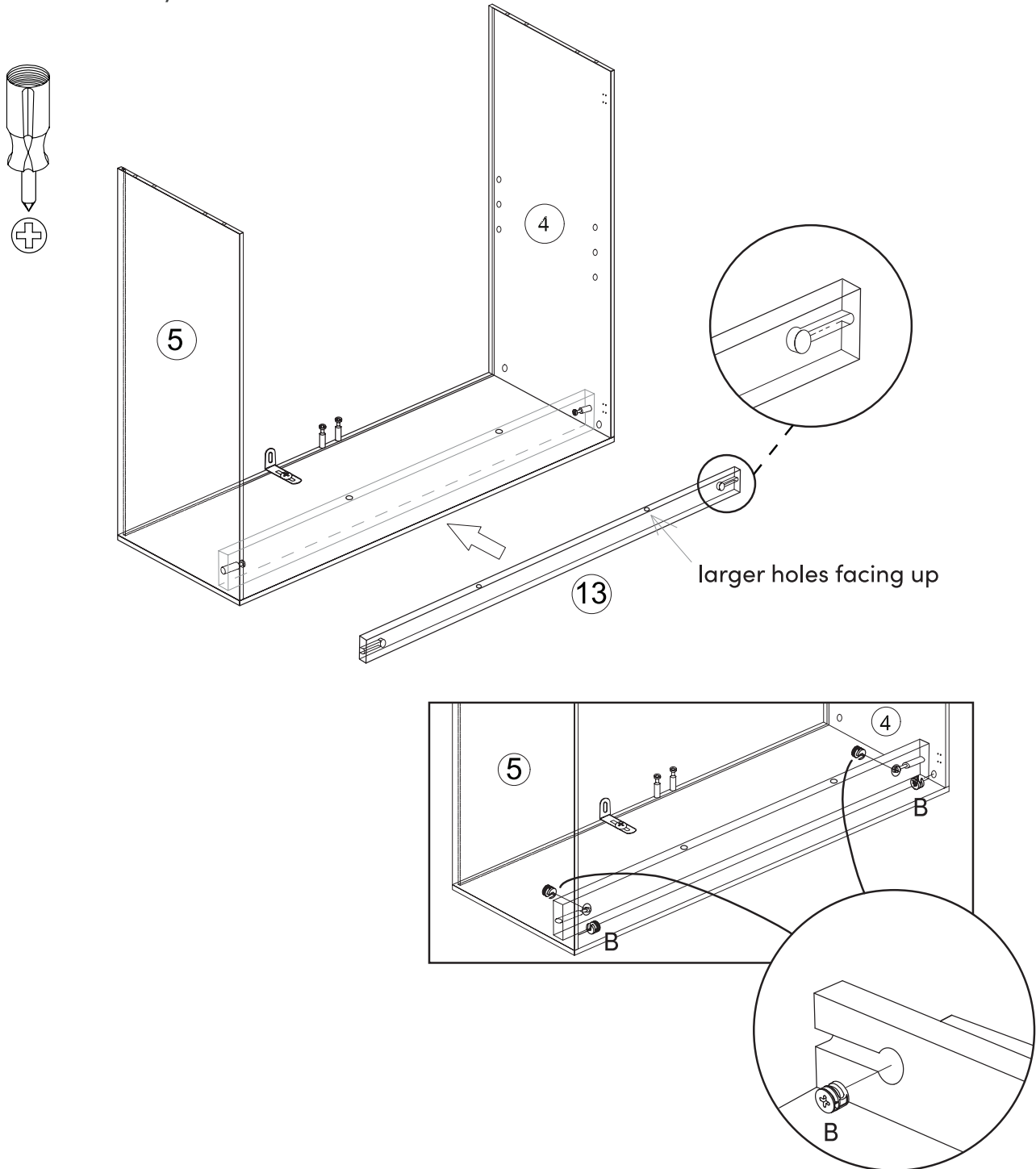
Slide the top rail into position, as shown below, lining up the keyhole cutouts in both ends of the top rail.

(B)



X4

Next, slide the Cam Lock bolts into the (2) holes in the Top Rail and tighten them with your screwdriver.



Step 6

Align the Back Vertical Stretcher (6) holes with the Cam Bolts in the Top Panel (1). Ensure the holes in the Back Vertical Stretcher (1) are facing out (to the closest edge of the Top Panel). Secure using two of the Cam Locks (B).

Next, secure the Stretcher (13) using two M4*35mm Screws (D).

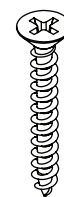
Finish up this step by installing the remaining Magnetic Door Catch (E) using the M3*14mm Screws (R).

(B)



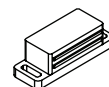
X2

(D)



X2

(E)

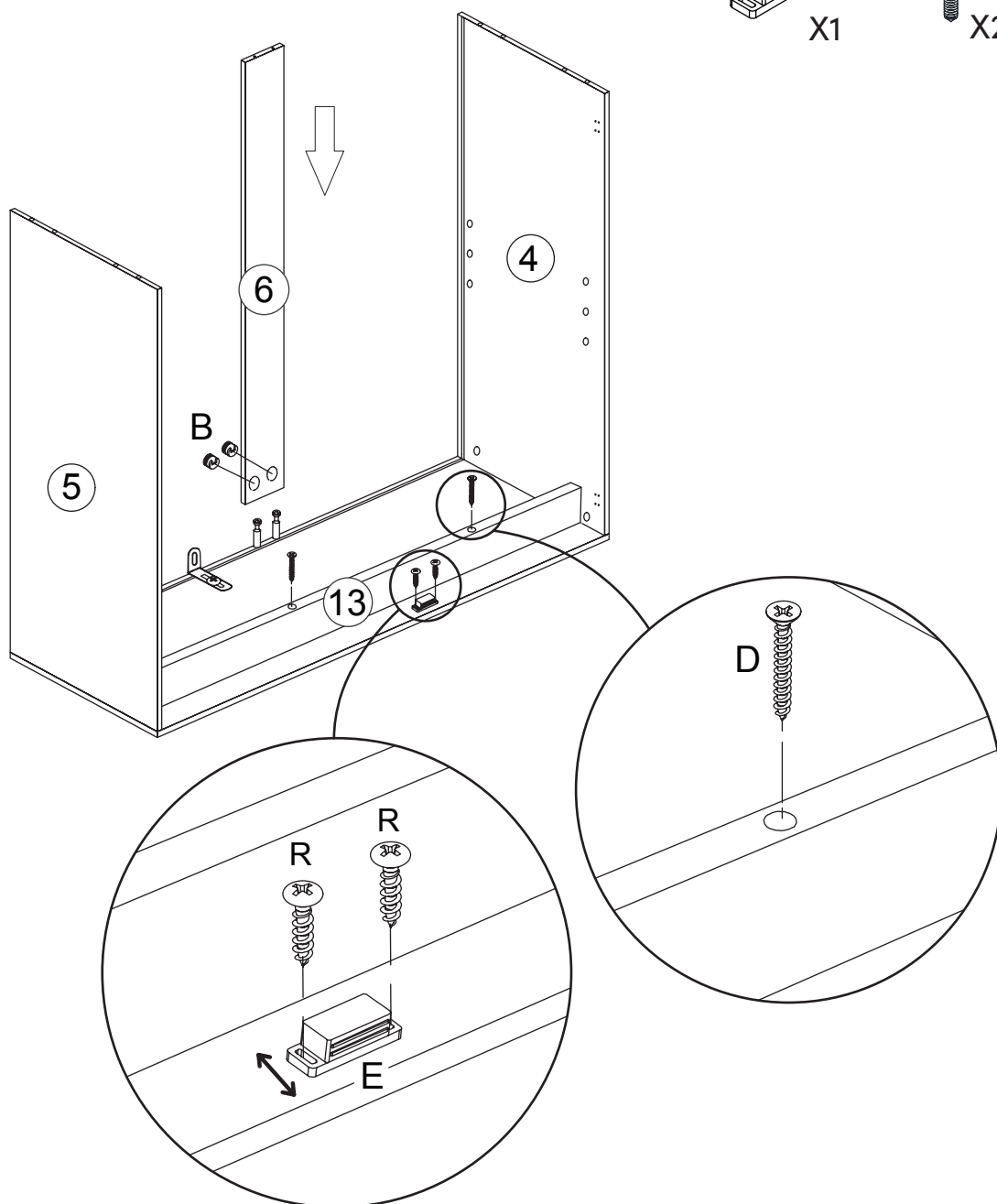


X1

(R)



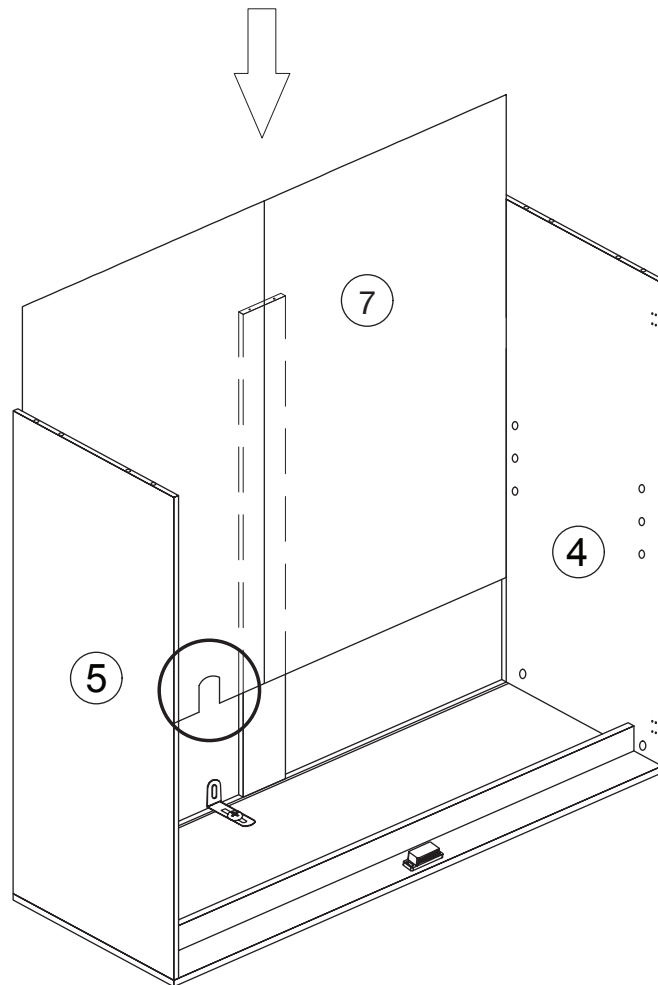
X2



Step 7

Now would be a good time to order that pizza you've been thinking about since Step 1.

Slide in the Back Panel (7), making sure the cutout is located as shown.

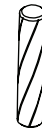


Step 8

Okay, time to attach the Bottom Panel (3)!

First, insert the M6x30mm Wood Dowels (C) into the corresponding holes in the edges of the Left Panel (4) and Right Panel (5). Once inserted, align the dowels with the holes in the Bottom Panel (3) and push together.

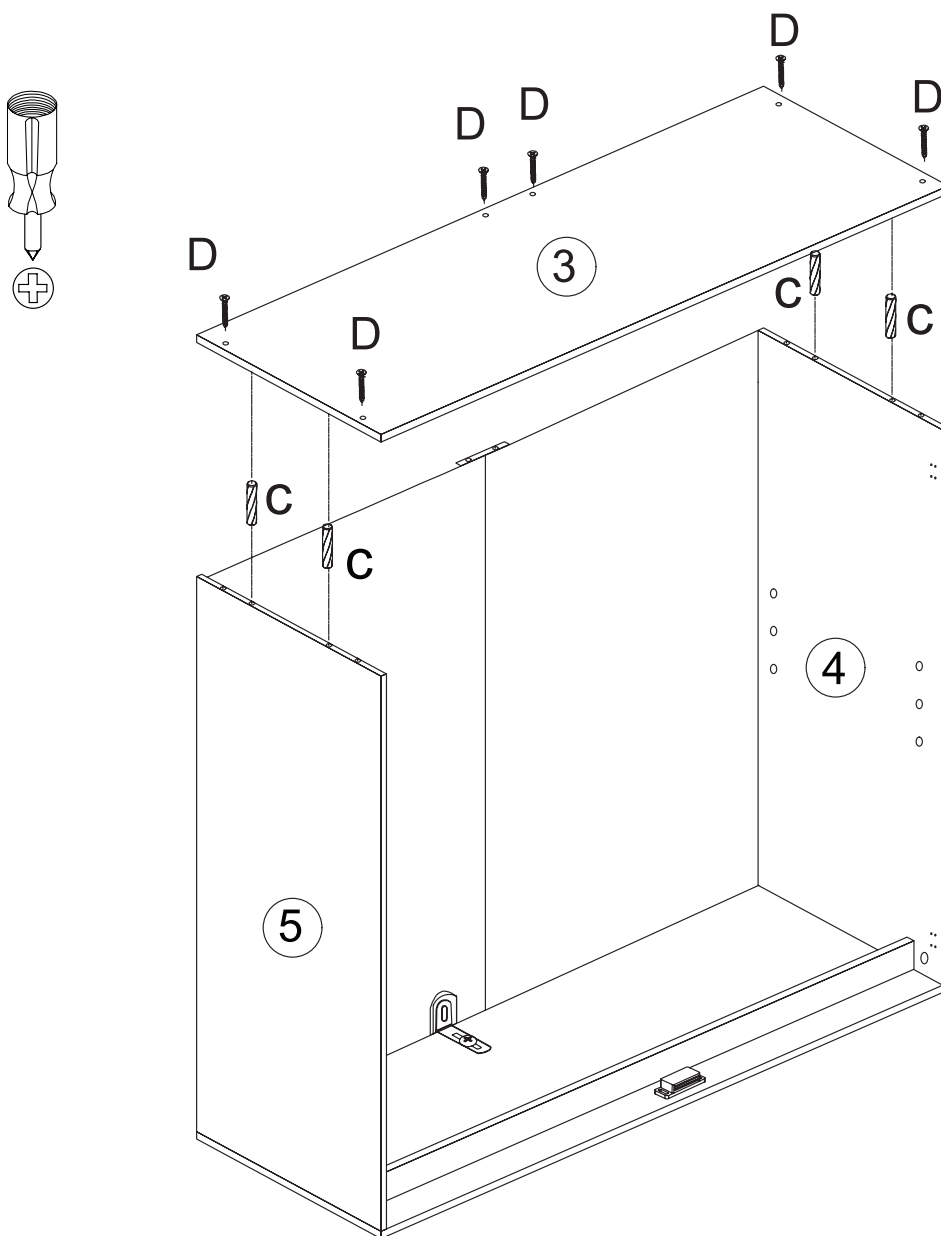
Secure the Bottom Panel using six of the M4*35mm Screws (D).



X4



X6

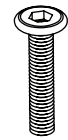


Step 9

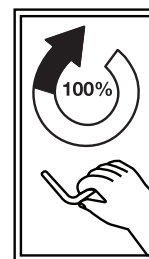
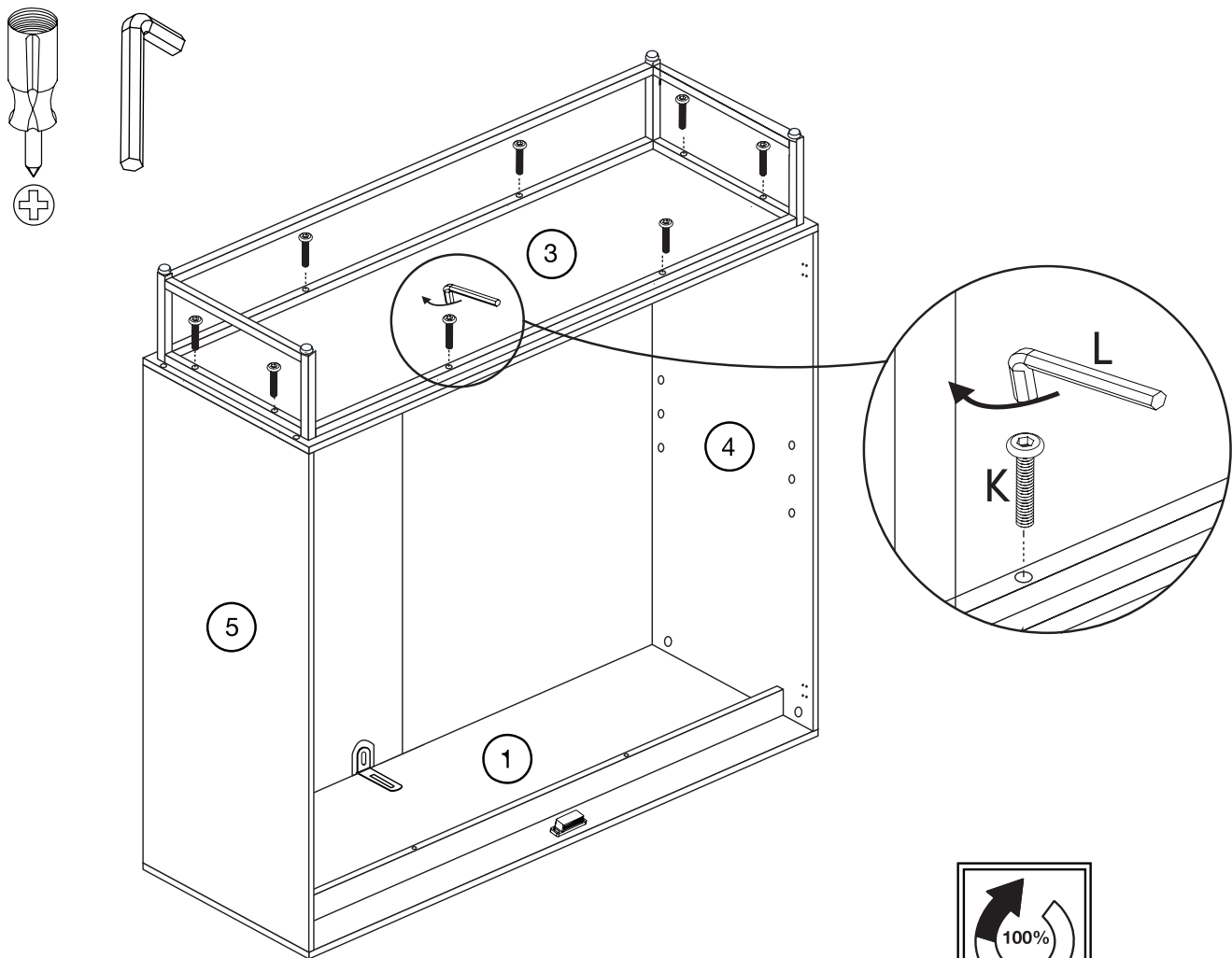
Now to attach the base you assembled in Step 1 to the Bottom Panel (3).

Position the metal base, locating the corresponding holes in the Bottom Panel (3). By hand, partially tighten the eight M6*30mm Bolts (K). Once you have located all of the bolts, go ahead and tighten them using Allen Key (L) till they are fully secured. You can also fully tighten the bolts from Step 1.

(K)



X8



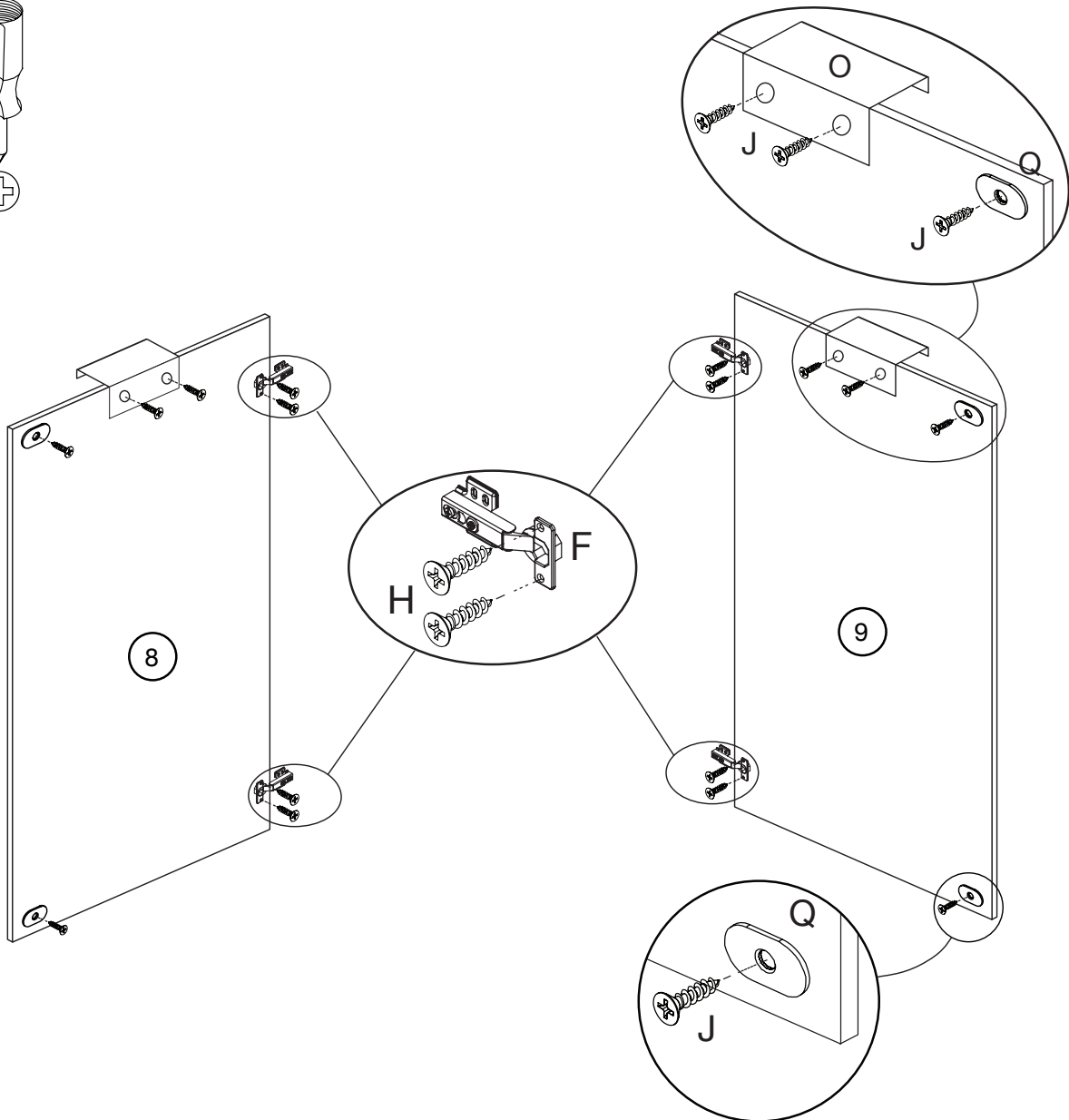
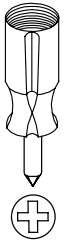
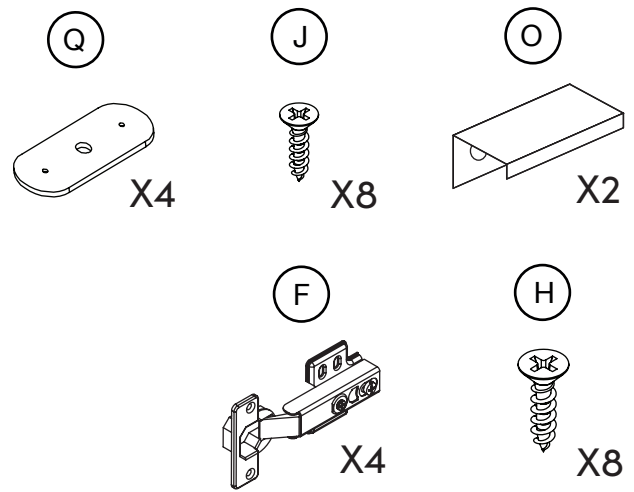
Step 10

Let's get started on the doors!

First, attach Part (Q) to the top and bottom corners of the Left Door (8) and Right Door (9) using the M3*12mm Screws (J).

Then, attach the Hinges (F) to the doors using two of the M4*14mm Screws (H) per hinge.

Lastly, attach the Handles (O) to the doors using two of the M3*12mm Screws (J) per handle.



Step 11

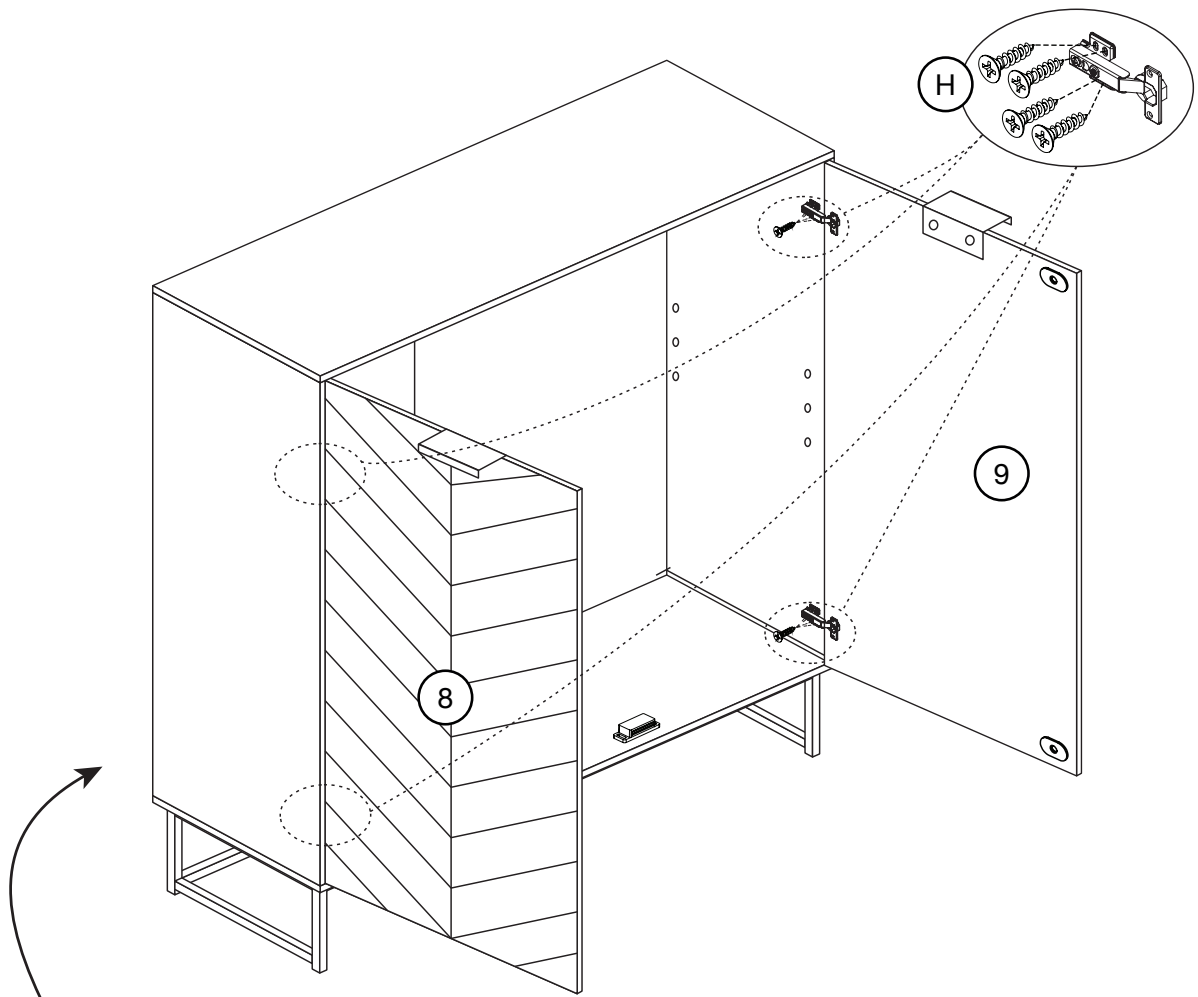
Time to get out those muscles! Flip the unit upright and then it's time to attach the doors!

Attach the doors (8) by securing the Hinges (F) to the cabinet using the M4*14mm Screws (H). You'll need four screws per hinge.

(H)



X16



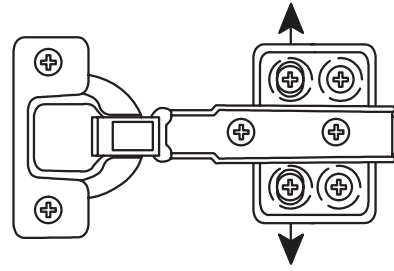
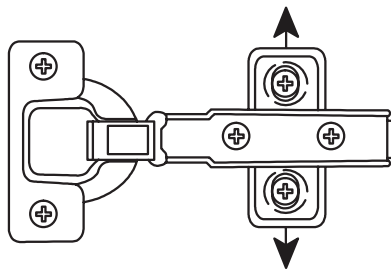
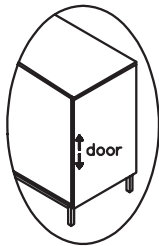
Pro Tip: Place your Enloe where it will live and ensure everything is level prior to installing the doors. This will help reduce adjustments to the hinges.



Is your cabinet door looking crooked or unevenly spaced?

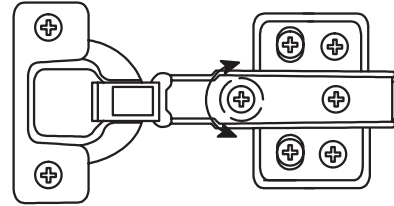
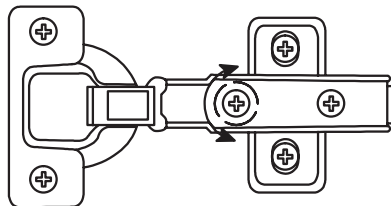
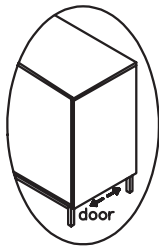
Then you've come to the right place. Follow the illustrations below to get your cabinet door aligned and ready for action.

If your door is too low or too high...



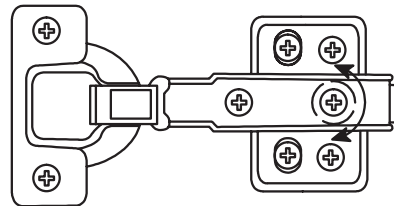
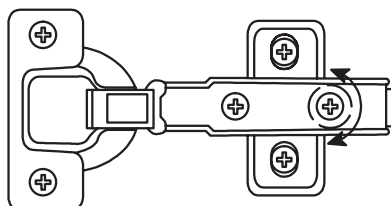
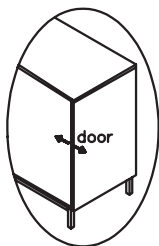
Loosen the height screws, then move the door up or down to make it level.

If the space between your doors is off...



Loosen the side-to-side screws, then screw counter-clockwise to make the gap wider or clockwise to close any gaps.

If you need to adjust the depth of the doors...



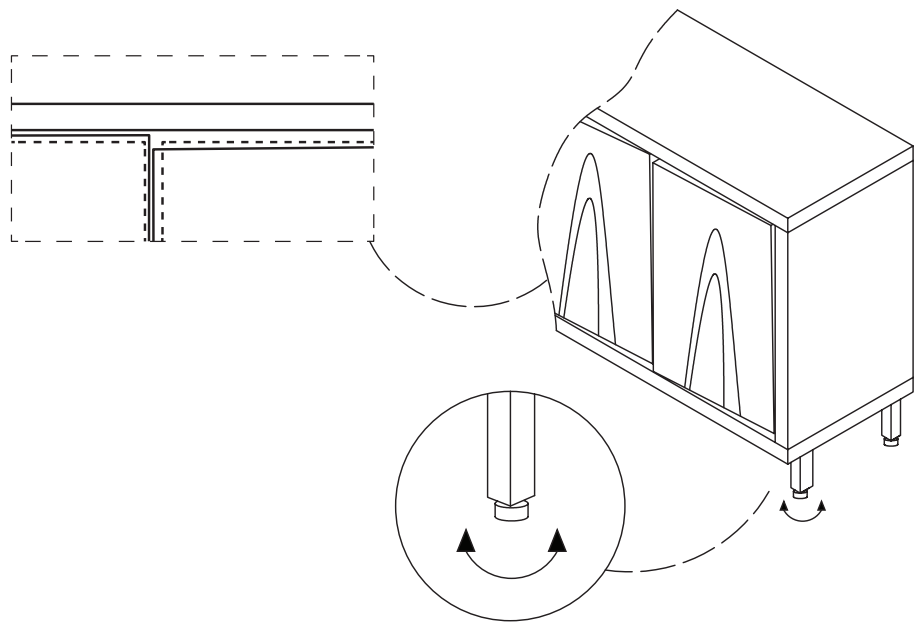
Adjust the in-and-out screws until the door is aligned with the side of the cabinet.



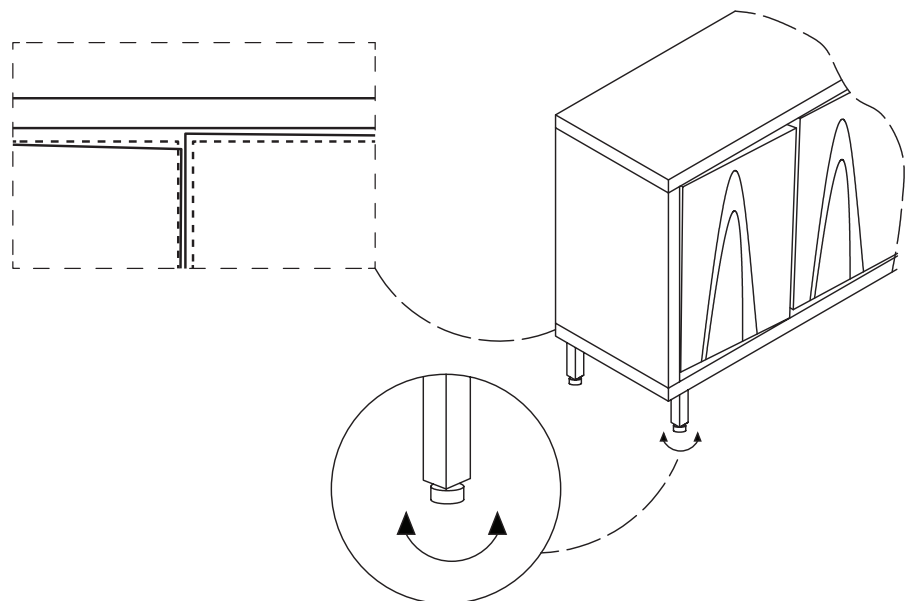
Is your cabinet door looking crooked or unevenly spaced? (Cont.)

If you're still having trouble lining everything up, your next step should be to adjust the leveling glides to square up the cabinet and doors and make sure things are level. Follow the instructions below:

If the right door appears to be hanging low, you can adjust the adjustable leveler on the front right until the door is better aligned.



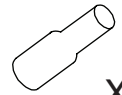
If the left door appears to be hanging low, you can adjust the adjustable leveler on the front left until the door is better aligned.



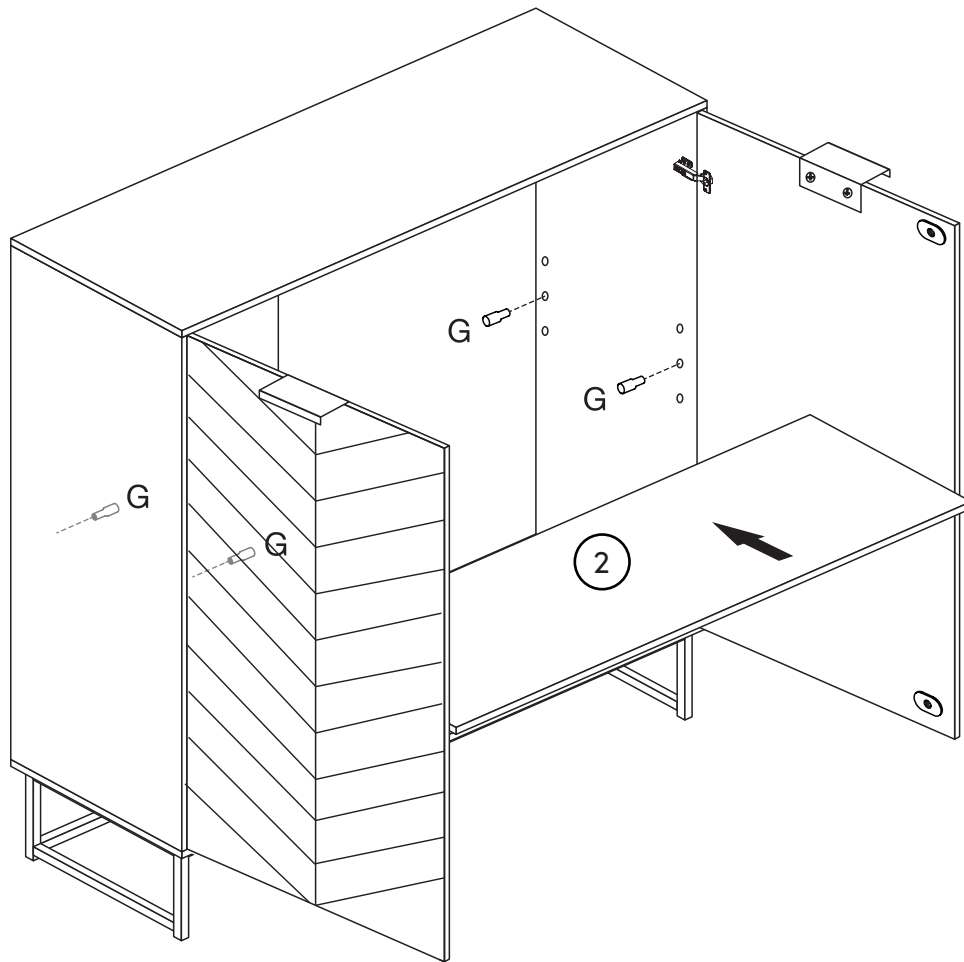
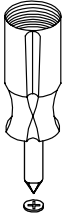
Step 12

Twist in the Shelf Pins (G) at your desired height and slide the Shelf (2) in the unit.

G



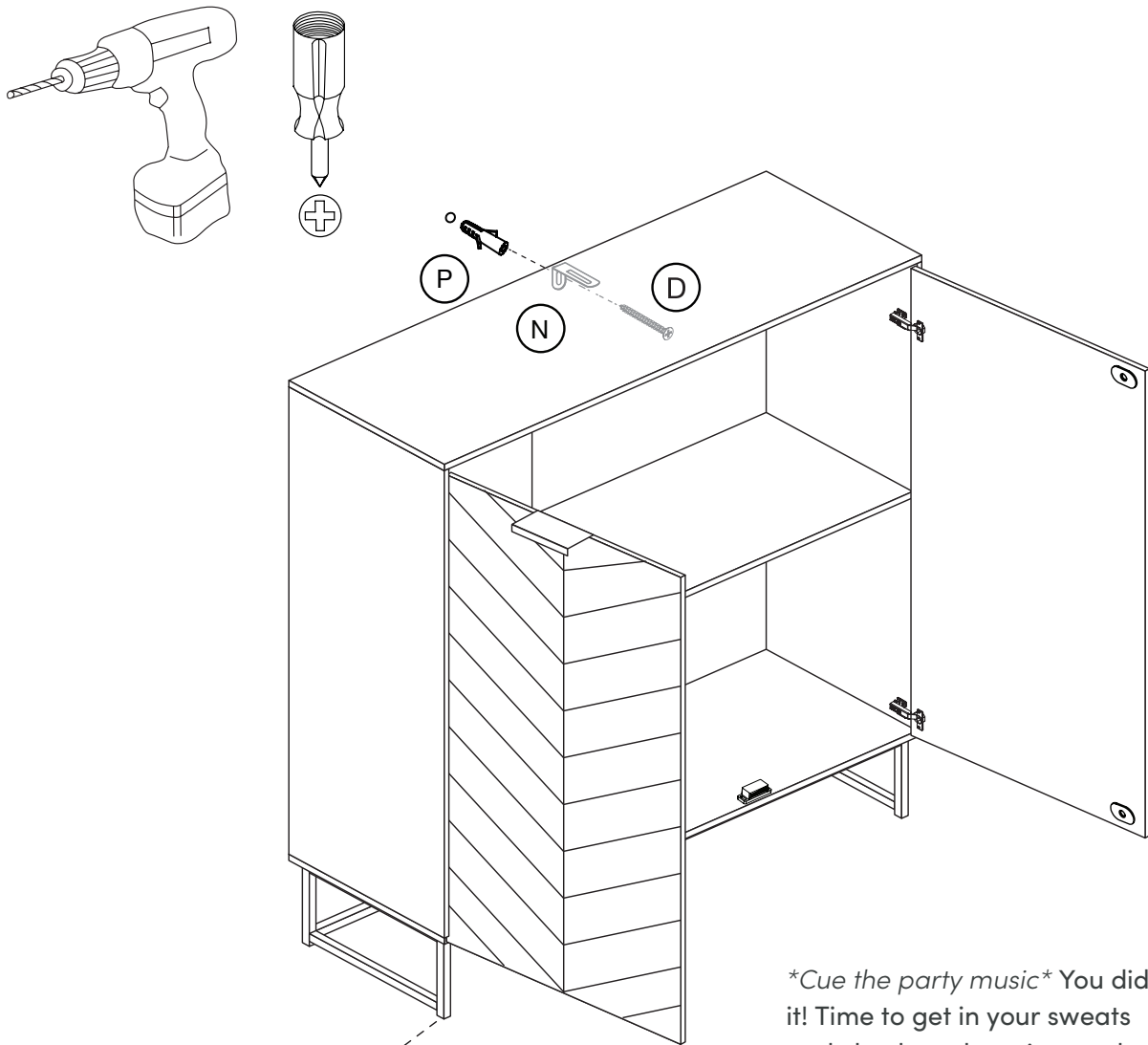
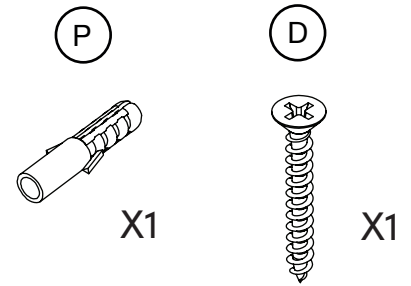
X4



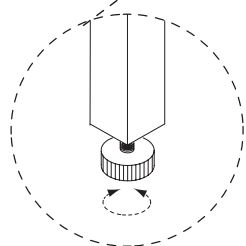
Step 13

Safety first! Use the wall anchor to secure your storage unit to the wall. You'll need a drill and 1/4" Drill Bit for this step.

Drill a 1/4" hole for the Wall Anchor (P) into the wall. Insert the Wall Anchor (P) in the hole, then secure the Anti-Tip Bracket (N) to the wall using a M4*35mm Screw (D).



Cue the party music You did it! Time to get in your sweats and check on that pizza order.



Wobbly or unlevel?
Adjust feet until stable!



No heartburn, when we handle the return

Give us a call **1-866-619-1004** or shoot us a message at **help@nathanjames.com** we will issue you a free replacement with **zero hassle**.

Our way



Give us a call



Replacement



You

Their way



Re-package item



Schedule pick up



Track package



Replacement



You

We really don't want you to go through the hassle of re-packaging your item and sending it back, because let's be honest...nobody has time for that.



Safety first, fun later

We want your Enloe Storage Unit to last as long as possible, so we recommend that you tighten the screws 2 weeks after assembly and for added safety check the tightness of all screws every 2 months.

For proper care and treatment of wood and metal please check our website at NathanJames.com/products

Safe use of this product starts with you.

Use this storage unit responsibly with the primary concern for your safety. Follow assembly instructions carefully and inspect product upon receipt and each use.

Nathan James and its parent companies cannot be held legally responsible for any injuries or death resulted from failure to follow instructions or improper use of this product.

Do not modify the structure of this product in any way.

Our products have been tested to meet specific safety measures as they were originally intended to be sold. Any modifications will present the risk of creating significant safety issues which NJ will not be responsible for.

Proper use

- DO NOT** use for commercial purposes
- DO NOT** climb on storage unit
- DO NOT** exceed weight limit
- DO NOT** leave spilled liquid on storage unit
- DO NOT** use if storage unit is damaged or broken
- DO NOT** make temporary repairs
- DO NOT** use outdoors



We are only in business if you're happy

For starters, thanks for being you.

☎ Toll-free at 1-866-619-1004

✉ Help@nathanjames.com

🌐 NathanJames.com/help

We do our best to ensure your furniture arrives without any problems, but occasionally mistakes happen—as humans we are imperfect beings. In the event that a part is damaged or missing, we will be more than happy to provide you with replacement part(s) for free.

Warranty

This product comes with a lifetime warranty from the date of purchase. Please use your phone to scan the QR code to register your product or visit <https://goo.gl/i9dk3q>



Did we do alright? Please spread the love!

If you are happy with your product, tell your friends and family about us or even better leave us a review online. Spreading the word gives us the opportunity to make more people happy and keep our prices low for your next purchase.

Brooklyn Burden

Founder, Nathan James

