

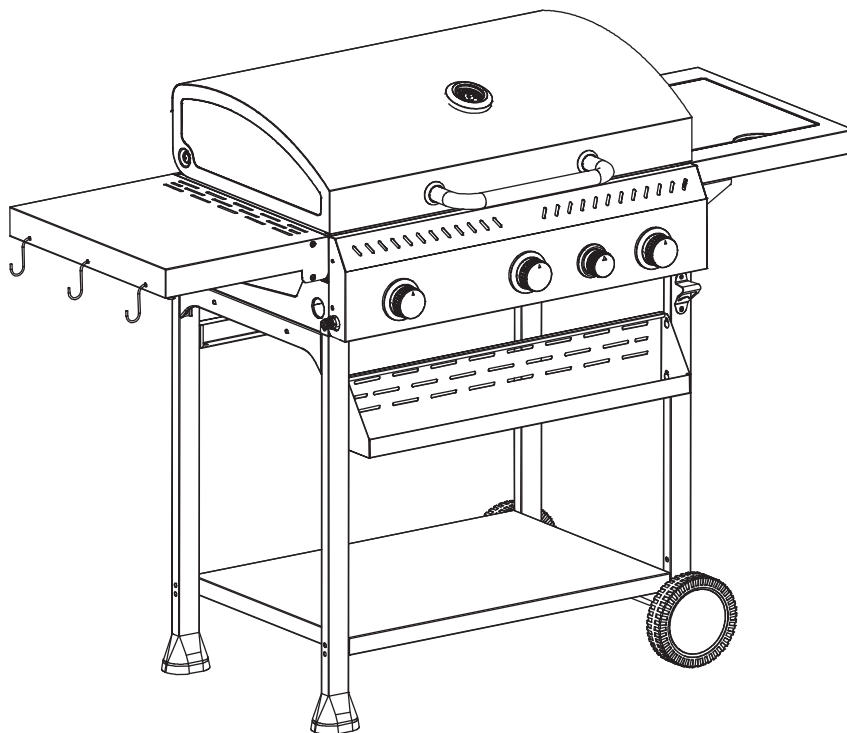


IN231100417V03_UK_DE

846-136V71_846-136V91

WN-03JY-03B

OPERATING INSTRUCTIONS
FOR OUTDOORGAS GRILL
BEDIENUNGSANLEITUNG FÜR DEN
OUTDOOR-GASGRILL



THIS GAS GRILL IS DESIGNED
FOR OUTDOOR USE ONLY

DIESER GASGRILL IST NUR
FÜR DEN GEBRAUCH IM
FREIEN BESTIMMT



EN: IMPORTANT, RETAIN FOR FUTURE REFERENCE: READ CAREFULLY.
DE: WICHTIG! SORFGFÄLTIG LESEN UND FÜR SPÄTERES NACHSCHLAGEN
AUFBEWAHREN.

FOLLOW ALL STEPS IN ORDER. NEVER ALLOW CHILDREN TO OPERATE THIS UNIT.

Warnings:

- Only to be used outdoors.
- Read the instructions before using the appliance.
- Accessible parts maybe very hot, keep young children away.
- Do not move the appliance during use.
- Turn off the gas supply at the gas cylinder after use.
- Any modification of the appliance may be dangerous.
- Parts sealed by the manufacturer or his agent must not be altered by the user.
- Do not modify the appliance.

Attention:

Some parts of this appliance become very hot, take special care when children or elderly are present.

For your safety:

- Do not store or use gasoline or mentholated fuels or any other flammable vapors and liquids in the vicinity of this or any other appliance.
- Never light a gas grill with gasoline or comparable fluids!
- Suggestion: user should not change the assembly that the manufacturer packaged.

USE AND CHARACTERISTICS

The barbecue grill is safe and easy to use. Please ensure you only use your barbecue at the correct pressure the appliance is designed for.

Food can be barbecued on the cooking grid either with or without the lid being closed. When the lid is closed for 5 minutes, the lid must be open for 1 minute to release heat.

With a grease tray or a grease cup under the case.

Adequate ventilation is vital for combustion and efficiency performance of the barbecue. This will ensure the safety of the user and other people in the vicinity of the area where the appliance is being used. Never use the appliance in any enclosed covered area.

When the wind speed is above 2m/s, don't use gas grill facing to the wind.

The appliance is designed for use outdoors only.

Warning! Accessible parts may be very hot. Keep young children away.

Read the instructions before using the appliance.

Do not move the appliance during use.

Turn off the appliance at the cylinder valve or regulator after use.

Any modification to the appliance may be dangerous and may cause injury or property damage.

The parts sealed by the manufacturer or his agent shall not be manipulated by the user.

Any unauthorised modification of the appliance will invalidate the guarantee on this appliance.

Do not modify the appliance

Never mount the cylinder under the barbecue on the base shelf as this could result in serious injury to the user, other people and/or property.

Use protective gloves when handling particularly hot components.

The appliance must not have any overhead obstruction. E.g. trees, shrubs, lean to roofs. The appliance must be installed with a clearance of 1 m around the appliance.

The appliance must not be used near flammable materials. (Petroleum based products, thinners or any other solid object that carries a flammable warning label.)

Close the valve of the gas cylinder or the regulator after use.

The use of this appliance in enclosed areas can be dangerous and is **PROHIBITED**.

1. Technical data

Model:	WN-03JY-03B			
SKU:	846-136V71BK			
PRODUCT:	Outdoor gas grill			
Manufacturer: NINGBO XINWEI METAL PRODUCTS CO., LTD. Address: No. 562 Qishan Rd., Hengxi Town, Ningbo, China		Gas consumption		Butane: 691 g/h Propane: 678 g/h
Appliance category	I3+ (28-30/37)	I3B/P (30)	I3B/P (37)	I3B/P(50)

Gas type and pressure	Butane at 28-30 mbar	propane at 37 mbar	G30 (Butane), G31 (Propane) and their mixtures at 28-30 mbar	G30 (Butane), G31 (Propane) and their mixtures at 37 mbar	G30 (Butane), G31 (Propane) and their mixtures at 50 mbar
Main burner(s) orifice size	φ0.78 mm		φ0.78 mm	φ0.74 mm	φ0.66 mm
Side burner orifice size	φ0.70 mm		φ0.70 mm	φ0.66 mm	φ0.61 mm
Nominal heat input	Main burner(s): 2.5kW *3+2.0kw*1 = 9.5 kW				
Destination country	BE,FR,IT,LU,IE,GB,GR,PT,ES,CY,CZ,LT,SK,CH,SI,LV	LU,NL,DK,FI,SE,CY,CZ,EE,LT,MT,SK,SI,BG,IS,NO,TR,HR,RO,IT,HU,LV	PL	AT,DE,CH,SK	
Pressure regulator type	included for different destination countries (PRESSURE REGULATOR TYPES)				

Use outdoors only!

Read the instructions before using the appliance!

WARNING! Accessible parts may be very hot. Keep young children away.

WARNING! Do not use spirit or petrol for lighting or re-lighting!



a) choose the proper regulator according to appliance category and gas pressure in the table above, for example, Use 37mbar regulator with appliance category I3+ for propane gas.

b) Marking on injector, for example, 0.86 indicates that the size of the injector is 0.86mm.

The gas regulator should be in accordance with EN 16129 and comply with local code.

2. Mounting steps

Make sure your grill is assembled properly. Detailed assembly instructions are packed with each grill giving specific assembly procedures for each model. Follow these instructions carefully to ensure the correct and safe assembly of the grill.

Caution: Although we take every effort to ensure that the assembly process is as easy as possible, it is inherent with fabricated steel parts that corners and edged can cause cuts if improperly handled during assembly procedures. Be careful while handling any parts during assembly. It is strongly recommended that you protect hands with a pair of work gloves.

3. Preparation

You will need GASG gas bottle and proper regulators under the gas pressure to operate this gas grill. The regulators should be comply with EN16129 with current version and national regulation.

See point 6 for farther instructions.

Energy saving tips:

a) Reduce the opening time of the lid.

b) Turn the grill off as soon as cooking is completed.

c) Preheat the gas grill for 10 to 15 minutes only.

(Except for the first use)

d) Do not preheat longer then recommended.

e) Do not use a higher setting than required.

f) Connect the hose and regulator to the gas container at the left side of the gas grill .Keeping in mind that the gas container must be kept away from heat and in a safe position .The hose dimension is 8-10mm diameter. **The Length of hose recommended which shall not exceed 1.5m.**

The hose should be within the date of validity. An expire hose or blocked/ twisting hose should be replaced. Always use an approval hose which complies with local code and relevant standard.

4. Installation

After purchasing your gas cylinder you will then be ready to set it up with your gas grill.

a) **When changing the gas cylinder which shall be carried out away from any source of ignition.Position the gas cylinder at left side or inside of your BBQ,** keeping in mind that the bottle must be kept away from heat and in a safe position.

b) When ready to use your gas grill insert the regulator into the gas bottle valve and tighten firmly.



Warning:Before attempting to light your gas grill you must refer to your lighting instructions and warning / safety points.

Check the hose before each use, searching for cracking, cuts or any abrasions. If the hose is found to be faulty in any way do not attempt to use your gas grill.

When changing your gas bottle ensures that there are no sources of ignition close by i.e. fires, cigarettes, naked flames etc. Make sure that the appliance is switched off.

Ensure that the hose is not subjected to twisting which will affect the gas flow when installing your gas grill. Also the hose must not have undue tension and must not touch any part of the gas grill which may be hot.

Please choose flexible hose whose heatproof higher than 80 °C

Flexible tube should be changed every 2 years;It's necessary to change the flexible tube when the national conditions require it.

How to change your cylinder

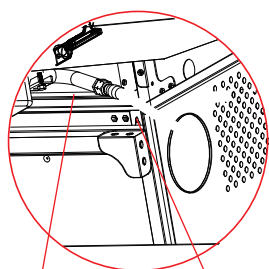
Note: Turn off the switch of cylinder (No spanner is required)

A)if put the gas cylinder outside the grill, The height of the gas cylinder is below the 80cm, and the width is within 35cm,Net

weight of gas cylinder should not be more than 15KG;

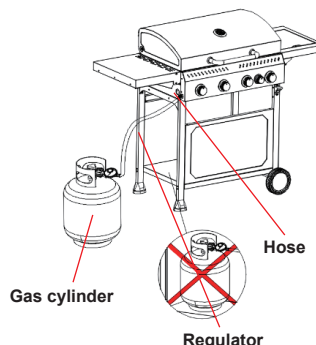
How to connect a gas bottle

- Turn the orange cap so that the arrow is pointing to the gap in the shroud.
- Remove the orange safety cap by pulling the lanyard out, then out. Do not use tools. Leave the cap hanging.
- Check that the black sealing washer is fitted inside the cylinder valve. Connect the regulator to the valve.
- Turn the switch clockwise on gas bottle-then turn on the gas grill as instructed.



Gas Connector Hose

Illustration for the connection of BBQ and Hose



Gas cylinder Regulator Hose
Illustration for the connection of Gas Cylinder, Regulator and Hose

How to connect a gas bottle

- Turn the orange cap so that the arrow is pointing to the gap in the shroud.
- Remove the orange safety cap by pulling the lanyard out, then out. Do not use tools. Leave the cap hanging.
- Check that the black sealing washer is fitted inside the cylinder valve. Connect the regulator to the valve.
- Turn the switch clockwise on gas bottle-then turn on the gas grill as instructed.



Warning:

Always test gas line for leaks at connector with soap water finishing all connections.

How to disconnect a gas bottle

- Turn off the gas tap if fitted to the appliance. Wait until the burner flame gone out.
- empty cylinder.
- Replace the orange safety cap onto the empty cylinder.

5. Warning and safety points

Please read the following points before using your gas grill:

- Read the instructions before using the appliance.** If instructions are not followed it may cause problems in use.
- This gas grill accessible **parts maybe very hot when being used. Keep young children away.** Use protective when handling particularly hot components.
- In the event of a gas leak, Turn off the gas supply at the gas bottle, extinguish any open flames, open lid and if leak continues, check for damages, poor connections etc. Contact your local gas dealer immediately if the problem can't be solved.
- Do not move Gas grill during use.**
- Do not use or store any liquids, vapors or other materials in the vicinity when operating the gas grill.
- This gas grill only **to be used outdoors.**
- Do not use a naked flame to check for gas leaks.
- Do not operate gas grill if there is a gas leak. Turn off the gas supply.
- Do not attempt to disconnect any gas fitting part if your gas grill is being used, on the gas grill or the gas regulator / bottle.
- Care is advised when operating your gas grill, you should never leave unattended when in use. Turn off the gas supply at the gas container after use.

Take care not to enlarge burner ports or orifice/nozzle openings when cleaning the burner or valves.

- Do not attempt to use this appliance in a garage or any enclosed area. Also **this appliance must be keep away from flammable materials**, etc. We recommend keeping a distance of at least 0.6 to 1.0 meter clear of any flammable materials.
- We would recommend that this gas grill should be serviced by your local gas retail outlet at least once a year by a competent engineer. Do not attempt to service this appliance yourself.
- Any modification of the appliance may be dangerous.** Do not attempt any unauthorized interference of the main controls on this gas grill, i.e. gas taps, injectors, valves etc.



Figure 4



WARNING: The Handle Black Area (See Above Picture for Reference) Will Become Hot When the Gas grill In Use, BE CAREFUL! Do Not Touch The Black Area.

6. Safety precautions

- a) Always test gas line for leaks at connector with soapy water after making connections.
- b) The top lid must always be open when lighting the burner.
- c) Use oven gloves and sturdy, long handled gas grill tools when cooking on the grill.
- d) Be prepared if an accident or fire should occur. Know where the first aid kit and fire extinguishers are and know how to use them.
- e) Keep any electrical supply cord and the fuel supply hose away from any heated surfaces.
- f) Always cook with great care.
- g) Do not heat any unopened glass or metal container of food on the grill. Pressure may build up and cause the container to burst, possibly resulting in serious personal injury or damage to the grill.

7. Lighting instructions

Caution: The lid must be open when lighting the burner!

Do not stand with your face directly over the gas grill when lighting it.

Your gas grill will have following method of ignition:

Gas Control Ignition

With all gas controls on the Gas grill in the "OFF" position "● OFF", turn the gas cylinder valve to the on position at the regulator. To create a spark you must press the gas control knob (A) and hold in this position for 3-5 seconds to allow gas flow and then turn anticlockwise to "HI" (B). It can spark to the burner lighting tube (C). You will hear a "snap" from the igniter and you will also see an orange flame coming from the burner lighting tube at the left side of the burner (D).

Continue to hold the gas control knob in for two seconds after the "snap", this will allow gas to flow completely down the burner tube (E) and insure ignition.

When the burner is alight, adjacent burners will cross light when their controls are turned to "HI"

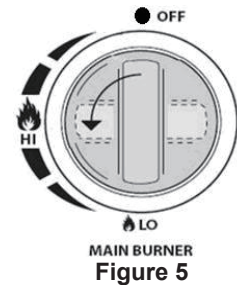
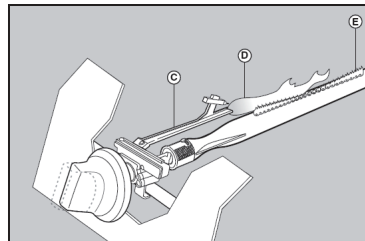
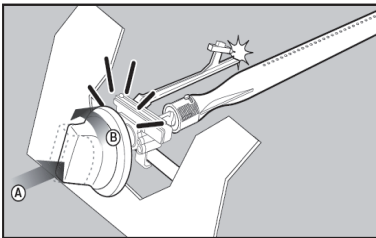
At "HI" setting the burner flame should be approximately 12-20mm long with a minimum of orange flame. Turn the gas control knob fully anticlockwise for minimum setting.

Should you have any difficulty lighting your gas grill following the above steps, contact your dealer for advice.

If the automatic ignition can't be used, please remove the cooking grill and heat diffuser(hotplate), and turn the valve anticlockwise to 90°, to light with BBQ lighter in the distance of 5mm to the burner fire hole. Replace the cooking grill and heat diffuser (hotplate), please wear the fireproof and heatresisting gloves.



WARNING: If the burner still does not light ,turn the gas control knob to " ● OFF" and wait for 2 minutes for the unburnt gas to evaporate before lighting again.



WARNING

For Your Safety

This grill has been made to high quality standards.

NOTE: The use and installation of this product must conform to local codes.

IMPORTANT NOTICE: read all instructions prior to assembly and use.

Read and understand all warnings and precautions prior to operating your grill.

CAUTION

Do not attempt to move the grill while it is lit.

2. Do not use the grill unless it is completely assembled and all parts are securely fastened and tightened.
3. DO NOT use this grill near unprotected combustible constructions.
4. Do not use in an explosive atmosphere. Keep grill area clear and free from combustible materials, gasoline and other flammable vapors and liquids.
5. Do not touch metal parts of grill until it has completely cooled (about 45 minutes) to avoid burns, unless you are wearing protective gear (BBQ mittens, pot holders, etc.)

WARNING

1. This grill is for outside use only, and should not be used in a building, garage or any other enclosed area.
2. The use of alcohol, prescription or non-prescription drugs may impair the operator's ability to properly assemble or safely operate the grill.
3. Always open grill lid slowly and carefully as heat and steam trapped within the grill can burn you severely.
4. Always place your grill on a hard, level surface far away from combustibles. An asphalt or blacktop surface may not be acceptable for this purpose.

5. Do not leave a lit grill unattended. Keep children and pets away from the grill at all times.
6. Do not place this grill on any type of tabletop surface.
7. Do not use the grill in high winds.

8. Storage

Your Gas Bottle must be stored outdoors in a well ventilated area and must be disconnected from your gas grill when not being used. Ensure that you are outdoors and away from any sources of ignition before attempting to disconnect your gas bottle from your gas grill. When you are using your gas grill after a period of storage, please ensure to check for gas leaks and check for any obstructions in the burner etc. before using. Also follow the cleaning instructions to ensure gas grill is safe.

If gas grill is stored outdoors ensure to check that all areas under the front panel are free from any obstructions (insects etc.) This area must be kept free as this may affect the flow of combustion or ventilation air.

9. Cleaning instructions

Maintenance is recommended that every 90 days for your gas grill, but it is absolutely necessary to perform maintenance at least once a year. By doing so, you will extend the life of your gas grill.

Your gas grill is easy to clean with minimum effort, just follow these heGasful hints for cleaning convenience.

Trouble Shooting

Emergencies	Possible cause	Prevention/ Solution
Gas leaking from cracked/cut/burned hose	Damaged hose	Turn off gas at GAS tank, if hose is cut or cracked, replace hose. See GAS tank lead test and connection regulator to the GAS tank
Gas leaking from GAS tank	Mechanical failure due to resting or mishandling	Turn off GAS tank valve
Gas leaking from GAS tank valve	Failure or tank valve from mishandling or mechanical failure	Turn off GAS tank valve. Return GAS tank to gas supplier
Gas leaking between GAS tank and regulator connection	Improper installation, connection not tight, failure of rubber seal	Turn off GAS tank valve, remove regulator from cylinder and visually inspect rubber seal for damage, see GAS tank test and connection regulator to the GAS tank
Fire coming through control panel	Fire in burner tube section of burner due to partial blockage	Turn off control knobs and GAS tank valve. After fire is out and grill is cold, remove burner and inspect for spider nests or rust. see natural hazard and cleaning the burner assembly pages.

Troubleshooting: Problem	Possible cause	Prevention/ Solution
Grease fire or continuous excessive flames above cooking surface	Too much grease buildup in burner area	Turn off GAS Tank. Leave lid open to allow flames to die down. After cooling, clean food particles and excess grease from inside firebox area, grease cup/pan/tray, and other surfaces
Burner will not light using ignitor	Gas issues 1. Trying to light wrong burner 2. Burner not engaged with control valve 3. Obstruction in burner 4. No gas flow 5. Vapor lock at coupling nut to GAS tank 6. Coupling nut and GAS tank valve not fully connected.	1. See instructions on control panel and section in the Use and Care. 2. Make sure valve are positioned inside of burner tubes. 3. Ensure burner tubes are not obstructed with spider webs or other matted, see cleaning section of use and care 4. Make sure GAS tank is not empty. If GAS tank is not empty, refer to "sudden drop in gas flow." 5. Turn off knobs and disconnect coupling nut from GAS tank. Reconnect and retry. 6. Turn the coupling nut approximately one-half to three-quarters

Burner will not light using ignitor	<p>Electrical issues:</p> <ol style="list-style-type: none"> 1. Electrode cracked or broken;" sparks at crack." 2. Electrode tip not in proper position 3. Wire and/or electrode covered with cooking residue. 4. Wires are loose or disconnected 5. Wires are shorting (sparking) between ignitor and electrode. 6. push button sticks at bottom sparking between ignitor and electrode 	<ol style="list-style-type: none"> 1. Replace electrode. 2. Tip of electrode should be pointing toward port hole in burner. The distance should be 1/8" to 3/16". Adjust if necessary. 3. Clean wire and or electrode with rubbing alcohol and clean swab. 4. Reconnect wires or replace electrode/wire assembly. 5. Replace ignitor wire 6. Replace ignitor 7. Inspect wire insulation and proper connection. Replace wires if insulation is broken.
Burner will not mach light	<ol style="list-style-type: none"> 1. See "gas issues;" on previous page. 2. Improper method of match-lighting 	<ol style="list-style-type: none"> 1. See "Pilot Gas Control Ignition" section of use and care.
Sudden drop in gas flow or low flame	<ol style="list-style-type: none"> 1. Grease buildup. 2. Excessive fat in meat. 3. Excessive cooking temperature 	<ol style="list-style-type: none"> 1. Clean burners and inside of grill/ firebox 2. Trim fat from meat before grilling.
Flames blow out	<p>High or gusting winds. Low on GASgas. Excess flow valve tripped.</p>	<p>Turn front of grill to face wind or increase flame height. Refill GAS tank. Refer to "sudden drop in gas flow" above.</p>
Persistent grease fire	<p>Grease trapped by food buildup around burner system.</p>	<p>Turn knobs to OFF. Turn gas off at GAS tank. Leave lid in position and let fire burn out. After grill cools, remove and clean all parts</p>
Flashback... (fire in burner tube(s))	<p>Burner and burner tubes are blocked</p>	<p>Turn knobs to OFF. clean burner and/or burner tubes. See burner cleaning section of use and care manual</p>
Flare-up	<ol style="list-style-type: none"> 1. Grease buildup. 2. Excessive fat in meat. 3. Excessive cooking temperature 	<ol style="list-style-type: none"> 1. Clean burners and inside of grill/ firebox 2. Trim fat from meat before grilling. 3. Adjust (lower) temperature
Unable to fill GAS tank	<p>Some dealers have older fill nozzles with worn threads.</p>	<p>Turn worn nozzles don't have enough "bite" to engage the valve. Try a second GAS dealer.</p>
One burner does not light from other burner(s)	<p>Grease buildup or food particles in end of carryover tube</p>	<p>Clean carry-over tube with wire brush</p>

If your problem is not resolved from the information above, please Contact your local gas dealer.

- a) Turn the burner on for 15 to 20 minutes. Ensure appliance is cold before continuing.
- b) Grids should be cleaned periodically by soaking and washing in soapy water.
- c) The interior surfaces of the grill housing cover should also be washed with hot, soapy water. Use a wire brush, steel wool or a scouring pad to remove stubborn spots.
- d) Periodically check the burner to see that it is free from insects and spiders which may clog the gas system, deflecting gas flow. Ensure to clean venturi pipes on burner very carefully, make sure that there are no obstructions. We recommend that you use a pipe cleaner to clean the venturi pipe area.
- e) Any modifications of this appliance may be dangerous and are not permitted.

10. Gas grill Safety Hints

Stand your gas grill on a safe level surface, away from inflammable items such as wooden fences or overhanging tree branches.

Never use your gas grill indoors!

Once lit do not move your gas grill or leave it unattended.

Keep children and pets at a safe distance from the gas grill.

Keep a fire extinguisher handy.

The gas grill will become hot when in use, so handle lids etc. with the Gas of gloves.

Ensure that the appliance has completely cooled down before storing.

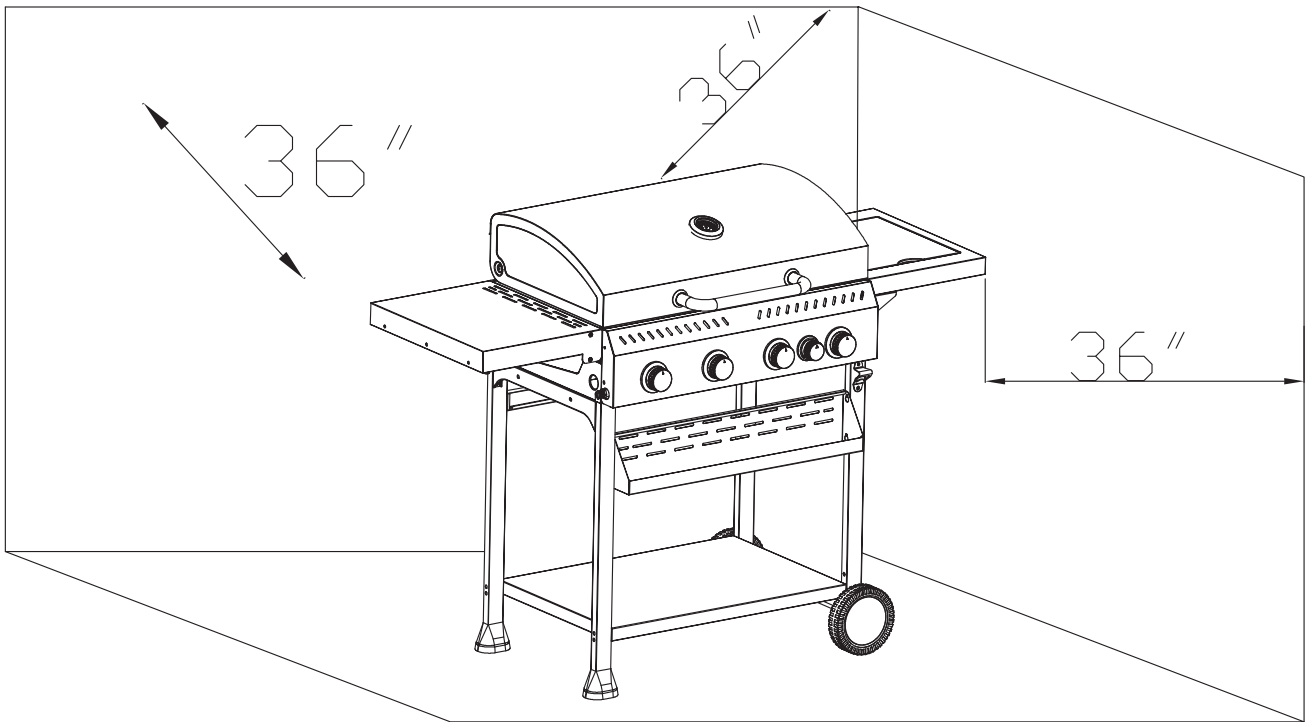
Use outdoors only!

Read the instructions before using the gas grill.

Assessable parts may be very hot, Keep young children away!
Do not move the gas grill during using.
Turn off the gas supply at the gas container after use.
Any modification of the appliance may be dangerous and be not permitted.

SERVICING:

Your barbecue should be serviced annually by a competent registered person.



BEFOLGEN SIE ALLE SCHRITTE DER REIHE NACH. ERLAUBEN SIE NIEMALS KINDERN, DIESES GERÄT ZU BEDIENEN.

Warnungen:

- Die Verwendung darf nur im Freien erfolgen.
- Lesen Sie vor der Verwendung des Geräts die Anweisungen.
- Zugängliche Teile können sehr heiß sein, halten Sie kleine Kinder fern.
- Das gerät während des gebrauchs nicht bewegen.
- Drehen Sie nach dem Gebrauch die Gaszufuhr an der Gasflasche ab.
- Jegliche Veränderung des Geräts kann gefährlich sein.
- Die vom Hersteller oder seinem Vertreter versiegelten Teile dürfen vom Benutzer nicht verändert werden.
- Nehmen Sie keine Veränderungen am Gerät vor.

Achtung:

Einige Teile dieses Geräts werden sehr heiß, seien Sie besonders vorsichtig, wenn Kinder oder ältere Menschen anwesend sind.

Zu Ihrer Sicherheit:

- Lagern oder verwenden Sie kein Benzin oder mentholhaltige Brennstoffe oder andere brennbare Dämpfe und Flüssigkeiten in der Nähe dieses oder eines anderen Geräts.
- Zünden Sie einen Gasgrill niemals mit Benzin oder vergleichbaren Flüssigkeiten an!
- Vorschlag: Der Benutzer sollte den vom Hersteller verpackten Zusammenbau nicht verändern.

VERWENDUNG UND EIGENSCHAFTEN

Der Barbecue-Grill ist sicher und einfach zu verwenden. Bitte stellen Sie sicher, dass Sie Ihren Grill nur mit dem richtigen Druck verwenden, für den das Gerät ausgelegt ist.

Sie können die Speisen auf dem Grillrost entweder mit oder ohne geschlossenen Deckel grillen. Wenn der Deckel 5 Minuten lang geschlossen ist, muss der Deckel 1 Minute lang geöffnet sein, um die Hitze abzugeben.

Mit einem Fettauffangschale oder einer Fettaufnahme unter dem Gehäuse.

Eine ausreichende Belüftung ist für die Verbrennung und die Effizienz des Grills unerlässlich. Dadurch wird die Sicherheit des Benutzers und anderer Personen in der Nähe des Bereichs, in dem das Gerät verwendet wird, sichergestellt. Verwenden Sie das Gerät niemals in einem geschlossenen, überdachten Bereich.

people in the vicinity of the area where the appliance is being used. Never use the appliance in any enclosed covered area.

Verwenden Sie den Gasgrill nicht, wenn die Windgeschwindigkeit über 2 m/s liegt, und verwenden Sie ihn nicht gegen den Wind.

Das Gerät ist nur für den Gebrauch im Freien bestimmt.

Warnung! Zugängliche Teile können sehr heiß sein. Halten Sie Kleinkinder fern.

Lesen Sie vor der Verwendung des Geräts die Anweisungen.

Das gerät während des gebrauchs nicht bewegen.

Schalten Sie das Gerät nach dem Gebrauch am Gasflaschenventil oder am Regler aus.

Jegliche Modifikation am Gerät kann gefährlich sein und zu Verletzungen oder Sachschäden führen.

Die vom Hersteller oder seinem Vertreter versiegelten Teile dürfen vom Benutzer nicht manipuliert werden.

Jegliche unbefugte Modifikation des Geräts führt zum Erlöschen der Garantie für dieses Gerät.

Modifizieren Sie das Gerät nicht

Montieren Sie niemals die Gasflasche unter dem Grill auf dem unterem Regalboden, da dies zu schweren Verletzungen des Benutzers, anderer Personen und/oder Eigentum führen kann.

Verwenden Sie Schutzhandschuhe, wenn Sie besonders heiße Teile handhaben.

Das Gerät darf nicht von oben behindert werden. z.B. Bäume, Sträucher, Dachsrägen. Das Gerät muss mit einem Abstand von 1 m um das Gerät aufgestellt werden.

Die Verwendung des Geräts darf nicht in der Nähe von brennbaren Materialien erfolgen. (Produkte auf Petroleumbasis, Verdüner oder andere feste Gegenstände, die ein Etikett mit einer Warnung vor Entflammbarkeit tragen.)

Schließen Sie das Ventil der Gasflasche oder den Regler nach dem Gebrauch.

Die Verwendung dieses Geräts in geschlossenen Räumen kann gefährlich sein und ist **VERBOTEN**.

1. TECHNISCHE DATEN

Modell:	WN-03JY-03B				
SKU:	846-136V91BK				
PRODUKT:	Gasgrill für den aussenbereich				
Hersteller: NINGBO XINWEI METAL PRODUCTS CO., LTD. Adresse: No. 562 Qishan Rd., Hengxi Industriegebiet, Ningbo, China			Gasverbrauch		Butan: 691 g/h Propan: 678 g/h
GERÄTEKATEGORIE	I3+ (28-30/37)		I3B/P (30)	I3B/P (37)	I3B/P(50)
Gasart und Druck	Butan bei 28-30 mbar	Propan bei 37 mbar	G30 (Butan), G31 (Propan) und deren Mischungen bei 28 bis 30 mbar	G30 (Butan), G31 (Propan) und ihre Gemische bei 37 mbar	G30 (Butan), G31 (Propan) und ihre Mischungen bei 50 mbar

Größe der Hauptbrenner öffnung(en)	φ0.78 mm	φ0.78 mm	φ0.74 mm	φ0.66 mm
Größe der Seitenbrenner öffnung	φ0.70 mm	φ0.70 mm	φ0.66 mm	φ0.61 mm
Nominale Wärmezufuhr	Hauptbrenner: 2.5kW *3+2.0kW*1 = 9.5 kW			
Bestimmungsland	BE,FR,IT,LU,IE,GB,GR,PT,ES,CY,CZ,LT,SK,CH,SI,LV	LU,NL,DK,FI,SE,CY,CZ,EE,LT,MT,SK,SI,BG,IS,NO,TR,HR,RO,IT,HU,LV	PL	AT,DE,CH,SK
Typ des Druckreglers	enthalten für verschiedene Bestimmungsänder (TYP DES DRUCKREGLERS)			

Nur im Außenbereich verwenden!

Lesen Sie die Anweisungen, bevor Sie das Gerät verwenden!

WARNUNG! Zugängliche Teile können sehr heiß sein.

Halten Sie Kleinkinder fern.

WARNUNG! Kein Spiritus oder Benzin zum Anzünden oder Nachzünden verwenden!



a) Wählen Sie den richtigen Regler entsprechend der Gerätekategorie und dem Gasdruck in der Tabelle oben, z.B. Verwenden Sie einen 37 mbar Regler mit der Gerätekategorie I3+ für Propangas.

b) Die Markierung auf der Einspritzdüse, z.B. 0,86, bedeutet, dass die Größe der Einspritzdüse 0,86 mm beträgt.

Der Gasregler sollte der EN 16129 entsprechen und mit den örtlichen Vorschriften übereinstimmen.

2. Montageschritte

Stellen Sie sicher, dass Ihr Grill richtig zusammengebaut ist. Jedem Grill liegt eine ausführliche Anweisung bei, in der für jedes Modell spezifische Zusammenbauverfahren angegeben sind. Befolgen Sie diese Anweisungen sorgfältig, um einen korrekten und sicheren Zusammenbau des Grills sicherzustellen.

Vorsicht: Obwohl wir uns bemühen sicherzustellen, dass der Zusammenbau so einfach wie möglich ist, kann es bei Stahlteilen vorkommen, dass Ecken und Kanten Schnittverletzungen verursachen, wenn sie beim Zusammenbau unsachgemäß gehandhabt werden. Seien Sie vorsichtig bei der Handhabung der Teile während des Zusammenbaus. Es wird dringend empfohlen, dass Sie Ihre Hände mit einem Paar Arbeitshandschuhen schützen.

3. Vorbereitung

Für die Bedienung dieses Gasgrills benötigen Sie eine GASG-Gasflasche und einen geeigneten Gasdruckregler. Die Druckregler sollten der EN16129 in der aktuellen Version und den nationalen Vorschriften entsprechen.

Siehe Punkt 6 für weitere Anweisungen.

Tipps zum Energiesparen:

- a) Verringern Sie die Öffnungszeit des Deckels.
- b) Schalten Sie den Grill aus, sobald das Garen abgeschlossen ist.
- c) Heizen Sie den Gasgrill nur für 10 bis 15 Minuten vor. (Außer bei der ersten Verwendung)
- d) Heizen Sie nicht länger als empfohlen vor.
- e) Verwenden Sie keine höhere Einstellung als erforderlich.
- f) Verbinden Sie den Schlauch und den Regler an der Gasflasche auf der linken Seite des Gasgrills. Beachten Sie, dass die Gasflasche nicht in der Nähe von Hitze und in einer sicheren Position aufbewahrt werden muss. Der Schlauch hat einen Durchmesser von 8-10 mm. Die empfohlene Länge des Schlauchs sollte 1,5 m nicht überschreiten.

Das Gültigkeitsdatum des Schlauchs sollte nicht überschritten werden. Ein ungültiger Schlauch oder ein verstopfter/verknoteter Schlauch sollte ersetzt werden. Verwenden Sie immer einen zugelassenen Schlauch, der den örtlichen Vorschriften und den einschlägigen Normen entspricht.

4. Aufstellung

Nachdem Sie Ihre Gasflasche gekauft haben, können Sie sie zusammen mit Ihrem Gasgrill aufstellen.

- a) Wenn Sie die Gasflasche wechseln, tragen Sie sie fern von jeglicher Zündquelle. Stellen Sie die Gasflasche an der linken Seite oder im Inneren Ihres Grills auf, wobei Sie darauf achten müssen, dass die Flasche nicht erhitzt wird und sich in einer sicheren Position befindet.
- b) Wenn Sie bereit sind, Ihren Gasgrill zu verwenden, stecken Sie den Regler in das Gasflaschenventil und ziehen Sie ihn fest.



Warnung: Bevor Sie versuchen, Ihren Gasgrill anzuzünden, müssen Sie die Anweisungen zum Anzünden und die Warnungen/Sicherheitshinweise beachten.

Prüfen Sie den Schlauch vor jeder Verwendung auf Risse, Schnitte oder Abschürfungen. Sollte der Schlauch in irgendeiner Weise defekt sein, versuchen Sie nicht, Ihren Gasgrill zu verwenden.

Stellen Sie beim Wechseln der Gasflasche sicher, dass sich keine Zündquellen in der Nähe befinden, wie z.B. Feuer, Zigaretten, offene Flammen usw. Stellen Sie sicher, dass das Gerät ausgeschaltet ist.

Stellen Sie sicher, dass der Schlauch bei der Aufstellung Ihres Gasgrills nicht verdreht wird, da dies den Gasfluss beeinträchtigt. Außerdem darf der Schlauch nicht übermäßig gespannt sein und darf keine Teile des Gasgrills berühren, die heiß sein könnten.

Bitte wählen Sie einen flexiblen Schlauch mit einer Hitzebeständigkeit von mehr als 80 °C

Der flexible Schlauch sollte alle 2 Jahre gewechselt werden. Es ist notwendig, den flexiblen Schlauch zu wechseln, wenn die nationalen Bedingungen dies erfordern.

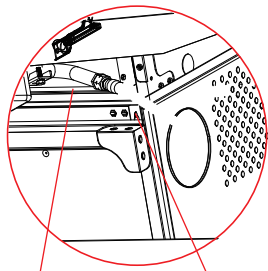
Wie Sie Ihre Gasflasche wechseln

Hinweis: Schalten Sie den Schalter der Gasflasche aus (ein Schraubenschlüssel ist nicht erforderlich)

A) Wenn Sie die Gasflasche außerhalb des Grills aufstellen, sollte die Höhe der Gasflasche unter 80 cm und die Breite nicht über 35 cm liegen. Das Nettogewicht der Gasflasche sollte nicht mehr als 15 kg betragen;

So verbinden Sie eine Gasflasche

- Drehen Sie die orangefarbene Kappe so, dass der Pfeil auf den Spalt in der Verkleidung zeigt.
- Entfernen Sie die orangefarbene Sicherheitskappe, indem Sie an der Schnur ziehen und sie dann herausziehen. Verwenden Sie kein Werkzeug. Lassen Sie die Kappe hängen.
- Prüfen Sie, ob die schwarze Dichtungsscheibe im Inneren des Gasflaschenventils angebracht ist. Verbinden Sie den Regler mit dem Ventil.
- Drehen Sie den Schalter an der Gasflasche im Uhrzeigersinn und schalten Sie dann den Gasgrill wie angewiesen ein.



Gas-Verbindung Schlauch

Abbildung für die Verbindung von Grill und Schlauch

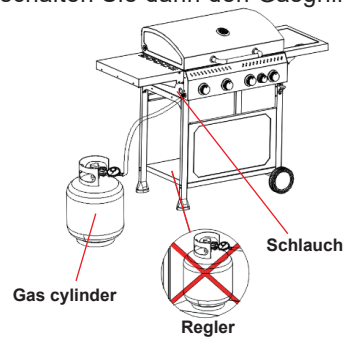


Illustration für die Verbindung von Gasflasche, Regler und Schlauch



Warnung: Testen Sie die Gasleitung an der Verbindung immer mit Seifenwasser auf Lecks, bevor Sie alle Verbindungen fertigstellen.

So trennen Sie eine Gasflasche ab

- Drehen Sie den Gashahn zu, falls am Gerät vorhanden. Warten Sie, bis die Brennerflamme erloschen ist.
- Leere Gasflasche.
- Ersetzen Sie die orangefarbene Sicherheitskappe auf der leeren Gasflasche.

5. Warnungen und Sicherheitshinweise

Bitte lesen Sie die folgenden Punkte, bevor Sie Ihren Gasgrill verwenden:

- Lesen Sie vor der Verwendung des Geräts die Anweisungen.** Wenn die Anweisungen nicht befolgt werden, kann es bei der Verwendung zu Problemen kommen.
 - Die zugänglichen **Teile dieses Gasgrills können bei der Verwendung sehr heiß sein. Halten Sie kleine Kinder fern.** Verwenden Sie Schutzkleidung, wenn Sie mit besonders heißen Teilen hantieren.
 - Im Falle eines Gaslecks: Schließen Sie die Gaszufuhr an der Gasflasche, löschen Sie alle offenen Flammen, öffnen Sie den Deckel und prüfen Sie, falls das Leck weiter besteht, auf Schäden, schlechte Verbindungen usw. Wenden Sie sich sofort an Ihren Gashändler vor Ort, wenn das Problem nicht behoben werden kann.
 - Bewegen Sie den Gasgrill während der Verwendung nicht.**
 - Verwenden oder lagern Sie keine Flüssigkeiten, Dämpfe oder andere Materialien in der Nähe, wenn Sie den Gasgrill betreiben.
 - Die Verwendung dieses Gasgrills darf nur **im Freien erfolgen.**
 - Die Verwendung einer offenen Flamme zum Prüfen auf Gaslecks ist verboten.
 - Betreiben Sie den Gasgrill nicht, wenn ein Gasleck vorhanden ist. Schließen Sie die Gaszufuhr
 - Versuchen Sie nicht, während der Verwendung Ihres Gasgrills irgendwelche Gasarmaturen auf dem Gasgrill oder dem Gasregler/der Gasflasche zu lösen.
 - Lassen Sie bei der Bedienung Ihres Gasgrills Vorsicht walten und lassen Sie ihn niemals unbeaufsichtigt, wenn er in Gebrauch ist. Drehen Sie nach dem Gebrauch die Gaszufuhr am Gasbehälter ab.
- Achten Sie darauf, dass Sie beim Reinigen des Brenners oder der Ventile nicht die Brenner- oder Düsenöffnungen vergrößern.
- Die Verwendung dieses Geräts sollte nicht in einer Garage oder einem geschlossenen Raum erfolgen. Außerdem **muss das Gerät von brennbaren Materialien usw. ferngehalten werden.** Wir empfehlen, einen Abstand von mindestens 0,6 bis 1,0 Metern zu brennbaren Materialien einzuhalten.
 - Wir empfehlen, dass dieser Gasgrill mindestens einmal im Jahr von einem kompetenten Techniker Ihres Gasfachgeschäfts vor Ort gewartet wird. Versuchen Sie nicht, dieses Gerät selbst zu warten.
 - Jegliche Veränderung des Geräts kann gefährlich sein.** Versuchen Sie nicht, unbefugte Eingriffe an den Hauptsteuerungen dieses Gasgrills vorzunehmen, d.h. an Gashähnen, Einspritzdüsen, Ventilen usw.



Abbildung 4



Warnung: WARNUNG: Der schwarze Bereich des Griffs (siehe Abbildung oben) wird heiß, wenn Sie den Gasgrill verwenden, SEIEN SIE VORSICHTIG! Berühren Sie den schwarzen Bereich nicht.

6. Sicherheitsvorkehrungen

- Prüfen Sie die Gasleitung nach der Verbindung immer mit Seifenwasser auf Lecks.
- Der obere Deckel muss beim Anzünden des Brenners immer geöffnet sein.
- Verwenden Sie Ofenhandschuhe und stabiles Gasgrillwerkzeug mit langem Griff, wenn Sie auf dem Grill garen.

d) Seien Sie vorbereitet, falls es zu einem Unfall oder Brand kommen sollte. Wissen Sie, wo sich der Erste-Hilfe-Kasten und die Feuerlöscher befinden und wie sie zu verwenden sind.

e) Halten Sie alle Stromkabel und den Kraftstoffschlauch von allen erhitzten Oberflächen fern.

f) Garen Sie immer mit großer Sorgfalt.

g) Erhitzen Sie keine ungeöffneten Glas- oder Metallbehälter mit Speisen auf dem Grill. Es kann sich ein Druck aufbauen, der zum Bersten des Behälters führen kann, was zu schweren Verletzungen oder Schäden am Grill führen kann.

7. Anweisungen zum Anzünden

Vorsicht! Der Deckel muss beim Anzünden des Brenners geöffnet sein!

Stellen Sie sich beim Anzünden nicht mit dem Gesicht direkt über den Gasgrill.

Ihr Gasgrill verfügt über folgende Zündmethoden:

Gasregler-Zündung

Wenn sich alle Gasregler des Gasgrills in der Position „●AUS“ befinden, drehen Sie das Gasflaschenventil am Regler in die Position EIN. Um einen Funken zu erzeugen, müssen Sie den Gasreglerknopf (A) drücken und 3-5 Sekunden lang in dieser Position halten, um den Gasfluss zu ermöglichen, und dann gegen den Uhrzeigersinn auf „HI“ (B) drehen. Es können Funken zum Brenner-Zündrohr (C) überspringen. Sie hören ein „Schnappen“ des Zünders und sehen außerdem eine orangefarbene Flamme, die aus dem Brennerzündrohr auf der linken Seite des Brenners (D) austritt.

Halten Sie den Gasreglerknopf nach dem „Schnappen“ noch zwei Sekunden lang gedrückt. Dies ermöglicht es dem Gas, vollständig in das Brennerrohr (E) zu strömen und die Zündung sicherzustellen.

Wenn der Brenner angezündet ist, werden die benachbarten Brenner über Kreuz gezündet, wenn ihre Regler auf „HI“ gestellt werden.

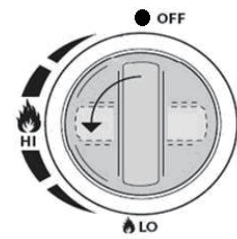
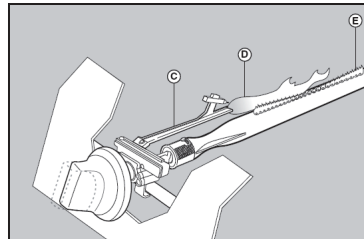
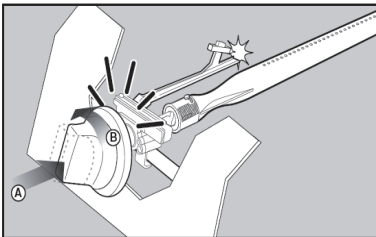
Bei der Einstellung „HI“ sollte die Brennerflamme etwa 12 bis 20 mm lang sein und ein Minimum von orangefarbener Flamme aufweisen. Drehen Sie den Gasreglerknopf ganz gegen den Uhrzeigersinn, um die Minimaleinstellung zu erreichen.

Sollten Sie Schwierigkeiten haben, Ihren Gasgrill nach den obigen Schritten anzuzünden, wenden Sie sich an Ihren Händler um Rat.

Falls die Verwendung der automatischen Zündung nicht möglich ist, nehmen Sie den Grillrost und den Hitzediffusor (Kochplatte) ab und drehen Sie das Ventil gegen den Uhrzeigersinn auf 90°, um mit einem Grillanzünder in einem Abstand von 5 mm zum Brennerfeuerloch anzuzünden. Ersetzen Sie den Grillrost und den Hitzediffusor (Kochplatte), tragen Sie bitte feuerfeste und hitzebeständige Handschuhe.



Warnung: Wenn der Brenner immer noch nicht zündet, drehen Sie den Gasregler auf „●AUS“ und warten Sie 2 Minuten, bis das unverbrannte Gas verdampft ist, bevor Sie erneut zünden.



MAIN BURNER
Abbildung 5

WARNUNG

Zu Ihrer Sicherheit

Dieser Grill wurde mit hohen Qualitätsstandards hergestellt.

HINWEIS: Die Verwendung und Aufstellung dieses Produkts muss den örtlichen Vorschriften entsprechen.

WICHTIGER HINWEIS: Lesen Sie alle Anweisungen vor dem Zusammenbau und der Verwendung.

Lesen und verstehen Sie alle Warnungen und Vorsichtsmaßnahmen, bevor Sie Ihren Grill in Betrieb nehmen.

VORSICHT

1. Versuchen Sie nicht, den Grill zu bewegen, wenn er angezündet ist.
2. Verwenden Sie den Grill erst, wenn er vollständig zusammengebaut ist und alle Teile sicher befestigt und festgezogen sind.
3. Verwenden Sie diesen Grill NICHT in der Nähe von ungeschützten, brennbaren Konstruktionen.
4. Verwenden Sie ihn nicht in einer explosiven Atmosphäre. Halten Sie den Grillbereich frei von brennbaren Materialien, Benzin und anderen brennbaren Dämpfen und Flüssigkeiten.
5. Berühren Sie die Metallteile des Grills erst, wenn er vollständig abgekühlt ist (etwa 45 Minuten), um Verbrennungen zu vermeiden, es sei denn, Sie benutzen Schutzkleidung (Grillhandschuhe, Topflappen usw.)

WARNUNG

1. Dieser Grill ist nur für die Verwendung im Freien gedacht und sollte nicht in einem Gebäude, einer Garage oder einem anderen geschlossenen Bereich verwendet werden.
2. Die Verwendung von Alkohol, verschreibungspflichtigen oder nicht verschreibungspflichtigen Medikamenten kann die Fähigkeit des Benutzers beeinträchtigen, den Grill ordnungsgemäß zusammenzubauen oder sicher zu bedienen.
3. Öffnen Sie den Deckel des Grills immer langsam und vorsichtig, da die Hitze und der Dampf, die sich im Inneren des Grills aufbauen, Sie schwer verletzen können.
4. Stellen Sie Ihren Grill immer auf eine harte, ebene Fläche, weit entfernt von brennbaren Gegenständen. Eine Asphalt- oder Bitumenoberfläche ist für diesen Zweck möglicherweise nicht geeignet.
5. Lassen Sie einen angezündeten Grill nicht unbeaufsichtigt. Halten Sie Kinder und Haustiere jederzeit vom Grill fern.
6. Stellen Sie diesen Grill nicht auf irgendeine Art von Tischplatte.

7. Verwenden Sie den Grill nicht bei starkem Wind.

8. Lagerung

Lagern Sie Ihre Gasflasche im Freien an einem gut belüfteten Ort und trennen Sie sie vom Gasgrill, wenn Sie ihn nicht verwenden. Stellen Sie sicher, dass Sie sich im Freien und fern von jeglichen Zündquellen befinden, bevor Sie die Gasflasche vom Gasgrill trennen.

Wenn Sie Ihren Gasgrill nach einer gewissen Zeit der Lagerung verwenden, stellen Sie bitte sicher, dass Sie vor der Verwendung auf Gaslecks prüfen und ob der Brenner usw. verstopft ist. Befolgen Sie auch die Anweisungen zur Reinigung, um die Sicherheit des Gasgrills sicherzustellen.

Wenn der Gasgrill im Freien gelagert wird, stellen Sie sicher, dass alle Bereiche unter der Frontplatte frei von Hindernissen (Insekten usw.) sind. Dieser Bereich muss freigehalten werden, da dies den Fluss der Verbrennungs- oder Lüftungsluft beeinträchtigen kann.

9. Anweisungen zur Reinigung

Es wird empfohlen, Ihren Gasgrill alle 90 Tage zu warten, aber es ist absolut notwendig, die Wartung mindestens einmal im Jahr durchzuführen. Auf diese Weise verlängern Sie die Lebensdauer Ihres Gasgrills.

Ihr Gasgrill ist mit minimalem Aufwand leicht zu reinigen. Befolgen Sie einfach diese Tipps für eine bequeme Reinigung.

Fehlerbehebung

Notfälle	Mögliche Ursache	Vorbeugung/ Lösung
Gasleck aus gerissenem/-geschnittenem/verbranntem Schlauch	Beschädigter Schlauch	Schließen Sie das Gas an der Gasflasche, wenn der Schlauch durchgeschnitten oder gerissen ist, ersetzen Sie den Schlauch. Siehe Gasflaschenleckprüfung und Verbindung des Reglers mit der Gasflasche
Gas leckt aus der Gasflasche	Mechanisches Versagen aufgrund von Ruhepausen oder falscher Handhabung	Schließen Sie das Ventil der Gasflasche
Gas leckt aus dem Ventil der Gasflasche	Ausfall des Gasflaschenventils durch falsche Handhabung oder mechanisches Versagen	Schließen Sie das Ventil der Gasflasche. Bringen Sie die Gasflasche zum Gaslieferanten zurück.
Gasleck zwischen Gasflasche und Verbindung des Reglers	Unsachgemäße Aufstellung, undichte Verbindung, Ausfall der Gummidichtung	Schließen Sie das Ventil der Gasflasche, nehmen Sie den Regler von der Gasflasche ab und überprüfen Sie die Gummidichtung visuell auf Schäden, siehe Test der Gasflasche und Verbindung des Reglers mit der Gasflasche
Feuer kommt aus der Schalttafel	Feuer im Brennerrohrbereich des Brenners aufgrund einer teilweisen Verstopfung	Schließen Sie die Reglerknöpfe und das Ventil der Gasflasche. Nachdem das Feuer erloschen und der Grill kalt ist, nehmen Sie den Brenner ab und untersuchen Sie ihn auf Spinnennester oder Rost, siehe Seiten zur Naturgefahr und Reinigung der Brennereinheit.

Fehlersuche: Problem	Mögliche Ursache	Vorbeugung/ Lösung
Fettbrand oder ständige übermäßige Flammen über der Kochfläche	Zu große Fettablagerungen im Brennerbereich	Schalten Sie die Gasflasche aus. Lassen Sie den Deckel offen, damit die Flammen erlöschen können. Entfernen Sie nach dem Abkühlen Speisereste und überschüssiges Fett aus der Grillkammer, der Fettaufnahme, der Fettauffangschale und von anderen Oberflächen.
Der Brenner zündet nicht mit dem Zünder	Probleme mit dem Gas 1. Versuch, den falschen Brenner anzuzünden 2. Brenner ist nicht am Reglerventil befestigt 3. Verstopfung im Brenner 4. Kein Gasfluss 5. Dampfblase an der Überwurfmutter zur Gasflasche 6. Überwurfmutter am Ventil der Gasflasche nicht vollständig verbunden.	1. Siehe Anweisungen auf der Schalttafel und im Abschnitt Verwendung und Pflege. 2. Stellen Sie sicher, dass die Ventile innerhalb der Brennerrohre positioniert sind. 3. Stellen Sie sicher, dass die Brennerrohre nicht durch Spinnweben oder andere Verunreinigungen verstopft sind, siehe Abschnitt Reinigung im Abschnitt Verwendung und Pflege 4. Stellen Sie sicher, dass die Gasflasche nicht leer ist. Wenn die Gasflasche nicht leer ist, lesen Sie den Abschnitt „Plötzlicher Abfall des Gasflusses“. 5. Drehen Sie die Knöpfe aus und lösen Sie die Überwurfmutter von der Gasflasche. Schließen Sie sie wieder an und versuchen Sie es erneut. 6. Drehen Sie die Überwurfmutter um etwa eine Hälfte bis drei Viertel.

Der Brenner zündet nicht mit dem Zünder	Elektrische Probleme: 1. Elektrode gerissen oder gebrochen; „Funken am Riss.“ 2. Elektrodenspitze nicht in der richtigen Position 3. Kabel und/oder Elektrode sind mit Kochrückständen bedeckt. 4. Kabel sind lose oder nicht angeschlossen 5. Kabel haben einen Kurzschluss (Funkenbildung) zwischen Zünder und Elektrode. 6. Drucktaste klemmt am Ende, Funkenbildung zwischen Zünder und Elektrode	1. Ersetzen Sie die Elektrode. 2. Die Spitze der Elektrode sollte auf die Öffnung im Brenner gerichtet sein. Der Abstand sollte 1/8 Zoll bis 3/16 Zoll betragen. Passen Sie sie gegebenenfalls an. 3. Reinigen Sie das Kabel und/oder die Elektrode mit Reinigungsalkohol und einem sauberen Tupfer. 4. Schließen Sie die Kabel wieder an oder ersetzen Sie die Elektrode/Kabel-Einheit. 5. Zünderkabel ersetzen 6. Ersetzen Sie den Zünder 7. Überprüfen Sie die Isolierung der Kabel und den richtigen Anschluss. Ersetzen Sie die Kabel, wenn die Isolierung gebrochen ist.
Brenner zündet nicht mit Streichholz	Siehe „Gasprobleme“ auf der vorherigen Seite. 2. Ungeeignete Methode des Anzündens mit Streichhölzern	1. Siehe Abschnitt „Zündung des Pilotgasreglers“ unter Verwendung und Pflege.
Plötzlicher Abfall des Gasflusses oder schwache Flamme	1. Fettablagerungen. 2. Übermäßiges Fett im Fleisch. 3. Überhöhte Kochtemperatur	1. Reinigen Sie die Brenner und das Innere des Grills/der Grillkammer 2. Entfernen Sie vor dem Grillen das Fett vom Fleisch.
Flammen erlöschen	Starker oder böiger Wind. Zu wenig Gas. Das Überlaufventil wurde ausgelöst.	Drehen Sie die Vorderseite des Grills in den Wind oder erhöhen Sie die Flammenhöhe. Füllen Sie die Gasflasche auf. Siehe „Plötzlicher Abfall des Gasflusses“ oben.
Anhaltender Fettbrand	Fett, das sich durch Speiseablagerungen um das Brennersystem herum angesammelt hat.	Drehen Sie die Knöpfe auf AUS. Drehen Sie das Gas an der GASflasche aus. Lassen Sie den Deckel in Position und lassen Sie das Feuer ausbrennen. Nachdem der Grill abgekühlt ist, entfernen und reinigen Sie alle Teile.
Flammenrückschlag... (Feuer im Brennerrohr/den Brennerrohren)	Brenner und Brennerrohre sind verstopft	Drehen Sie die Knöpfe auf AUS und reinigen Sie den Brenner und/oder Brennerrohre. Siehe Abschnitt Brennerreinigung im Handbuch für die Verwendung und Pflege
Abfackeln	1. Fettablagerungen. 2. Übermäßiges Fett im Fleisch. 3. Überhöhte Kochtemperatur	1. Reinigen Sie die Brenner und das Innere des Grills/der Grillkammer 2. Entfernen Sie vor dem Grillen das Fett vom Fleisch. 3. Temperatur anpassen (senken)
Die Gasflasche lässt sich nicht befüllen	Einige Händler haben ältere Fülldüsen mit abgenutzten Gewinden.	Abgenutzte Düsen haben nicht genug „Biss“, um das Ventil einzurasten. Versuchen Sie es bei einem zweiten Gashändler.
Ein Brenner zündet nicht von einem anderen Brenner aus	Fettablagerungen oder Speisereste am Ende des Überlaufrohrs	Reinigen Sie das Überführungsrohr mit einer Drahtbürste

Wenn sich Ihr Problem mit den obigen Informationen nicht lösen lässt, wenden Sie sich bitte an Ihren Gashändler vor Ort.

- Schalten Sie den Brenner für 15 bis 20 Minuten ein. Stellen Sie sicher, dass das Gerät kalt ist, bevor Sie fortfahren.
- Die Grillroste sollten regelmäßig durch Einweichen und Waschen in Seifenwasser gereinigt werden.
- Die Innenflächen der Grillgehäuseabdeckung sollten ebenfalls mit heißem Seifenwasser abgewaschen werden. Verwenden Sie eine Drahtbürste, Stahlwolle oder einen Scheuerschwamm, um hartnäckige Flecken zu entfernen.
- Prüfen Sie regelmäßig, ob der Brenner frei von Insekten und Spinnen ist, die das Gassystem verstopfen und den Gasfluss behindern können. Reinigen Sie die Venturi-Rohre auf dem Brenner sehr sorgfältig und stellen Sie sicher, dass es keine Verstopfungen gibt. Wir empfehlen Ihnen, einen Pfeifenreiniger zu verwenden, um den Bereich der Venturi-Rohre zu reinigen.
- Jegliche Modifikation dieses Geräts kann gefährlich sein und ist nicht erlaubt.

10. Gasgrill Sicherheitshinweise

Stellen Sie Ihren Gasgrill auf eine sichere, ebene Fläche, entfernt von brennbaren Gegenständen wie Holzzäunen oder überhängenden Ästen.

Verwenden Sie Ihren Gasgrill niemals in Innenräumen!

Bewegen Sie Ihren Gasgrill nach dem Anzünden nicht und lassen Sie ihn nicht unbeaufsichtigt.

Halten Sie Kinder und Haustiere in einem sicheren Abstand zum Gasgrill.

Halten Sie einen Feuerlöscher bereit.

Der Gasgrill wird bei der Verwendung heiß, also handhaben Sie Deckel usw. mit Gashandschuhen.

Stellen Sie sicher, dass das Gerät vor der Lagerung vollständig abgekühlt ist.

Nur im Außenbereich verwenden!

Lesen Sie die Anweisungen, bevor Sie den Gasgrill verwenden.

Die zugänglichen Teile können sehr heiß sein, halten Sie kleine Kinder fern!

Bewegen Sie den Gasgrill während der Verwendung nicht.

Drehen Sie nach dem Gebrauch die Gaszufuhr am Gasbehälter ab.

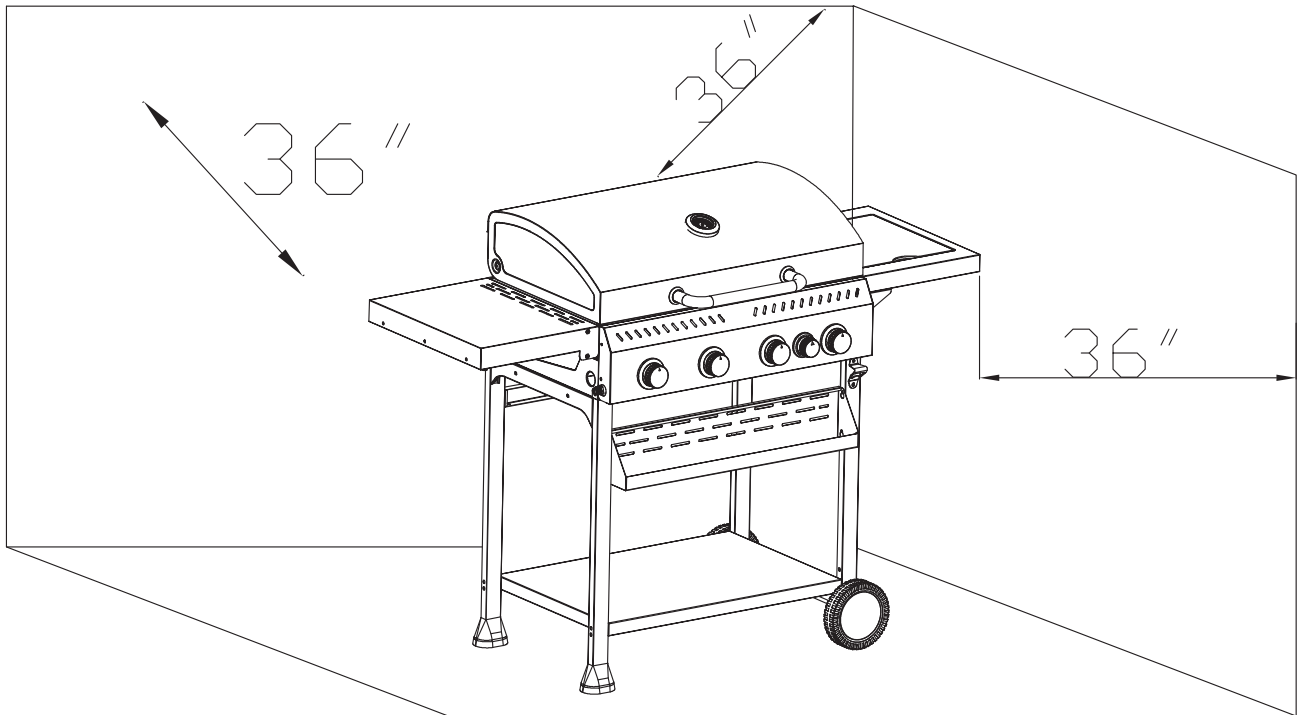
Jegliche Modifikation des Geräts kann gefährlich sein und ist nicht erlaubt.

WARTUNG:

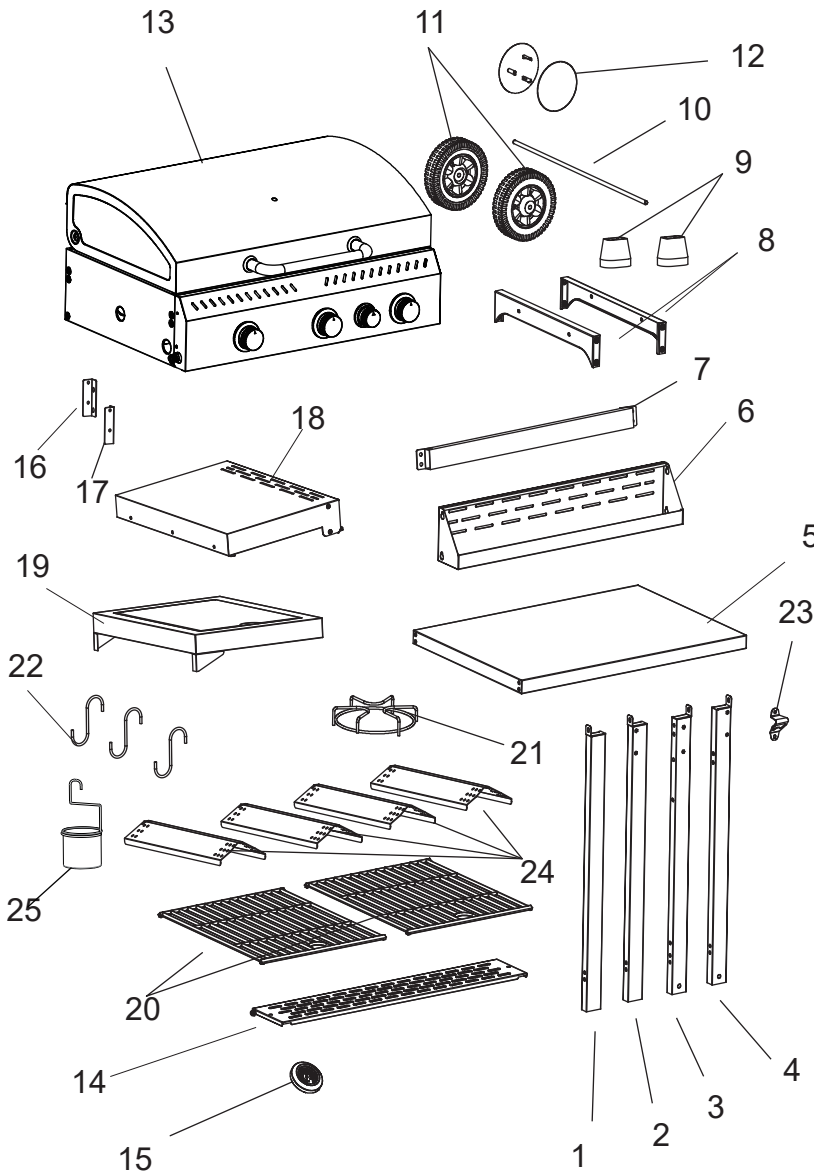
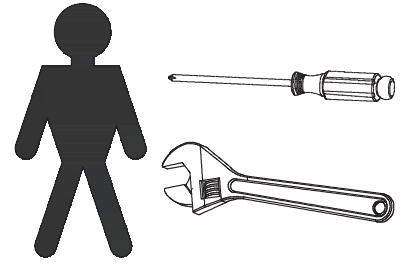
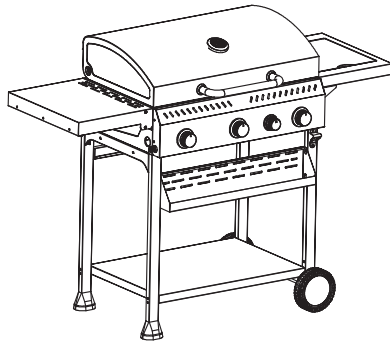
Ihr Grill sollte jährlich von einer kompetenten, registrierten Person gewartet werden.

Wartungszentrum:

Bitte wenden Sie sich für die Produktwartung an den Händler vor Ort



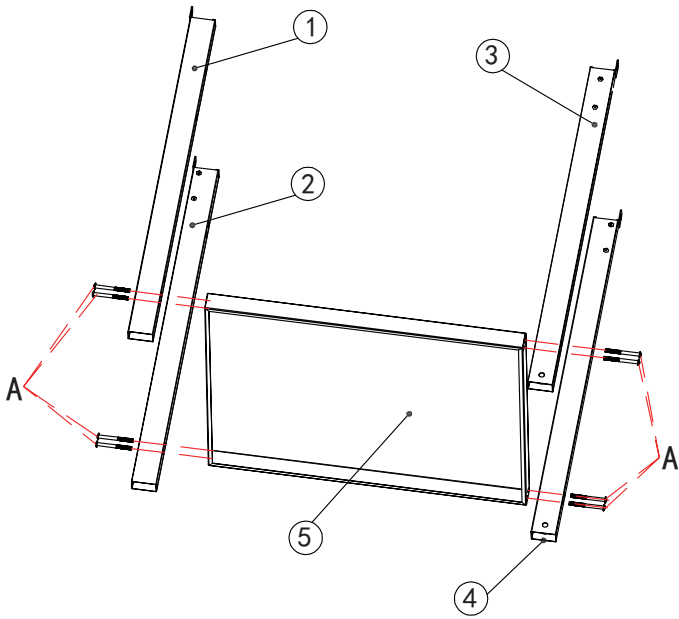
PART LIST



① *1 (LF)	② *1 (LB)	③ *1 (RF)
④ *1 (RB)	⑤ *1	⑥ *1
⑦ *1	⑧ *2	⑨ *2
⑩ *1	⑪ *2	⑫ *2
⑬ *1	⑭ *1	⑮ *1
⑯ *1 (L)	⑰ *1 (R)	⑱ *1
⑲ *1	⑳ *2	㉑ *1
㉒ *3	㉓ *1	㉔ *4
㉕ *1		

A M5x50 *8	B M5x12 *27 +3	C M6x19 *4	D M6 *4
E M5x12 *4 (SS)	F M4x6 *1	G M4 *1	H *2

1

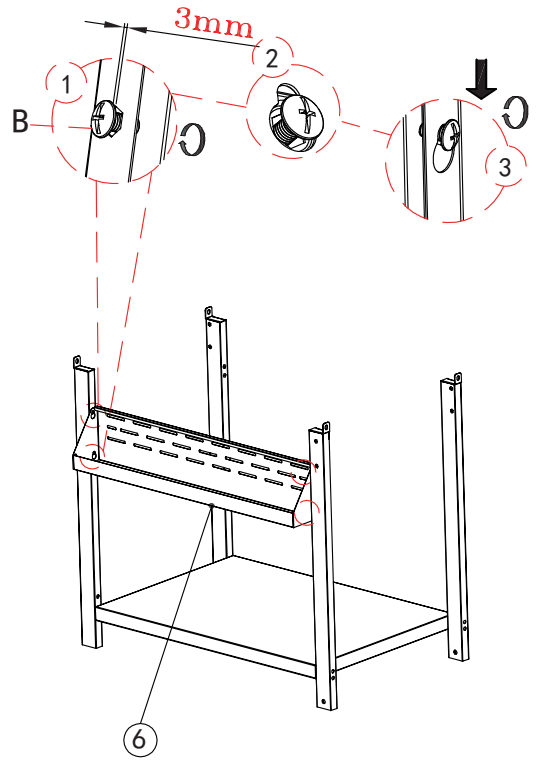


A



8PCS

2

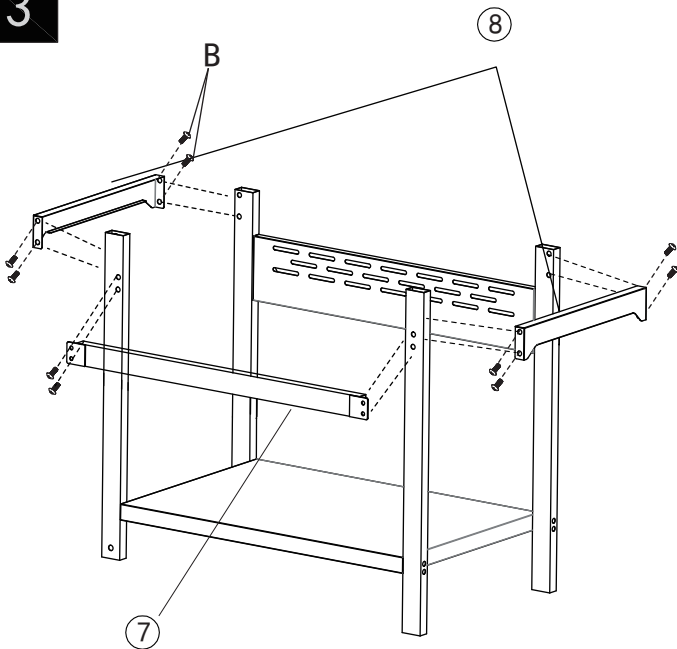


B



4PCS

3

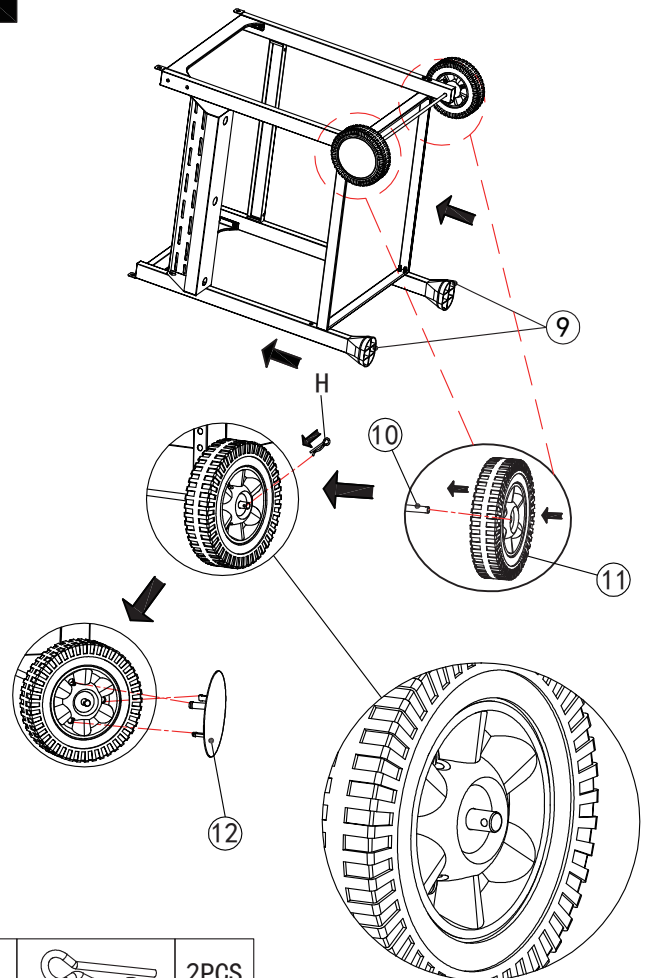


B



12PCS

4

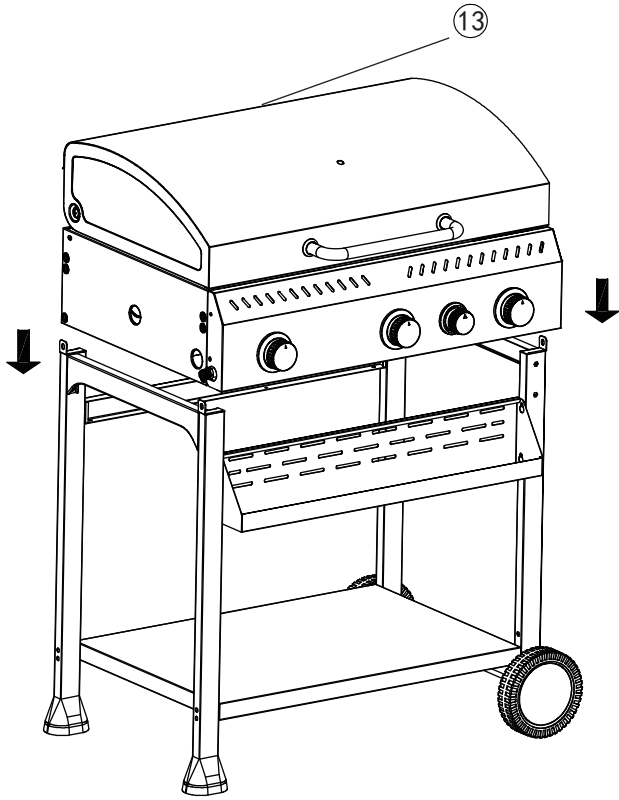


H

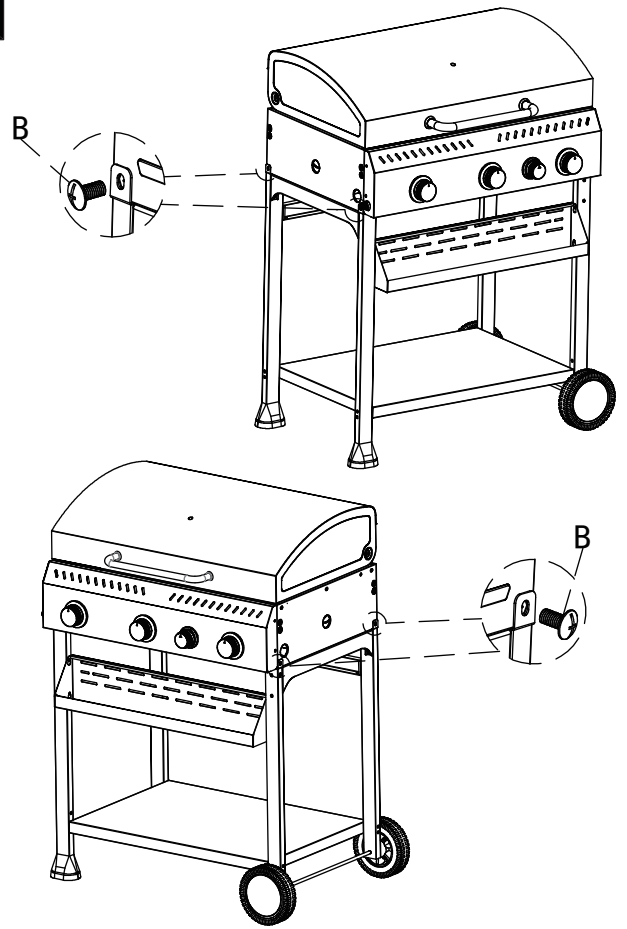


2PCS

5

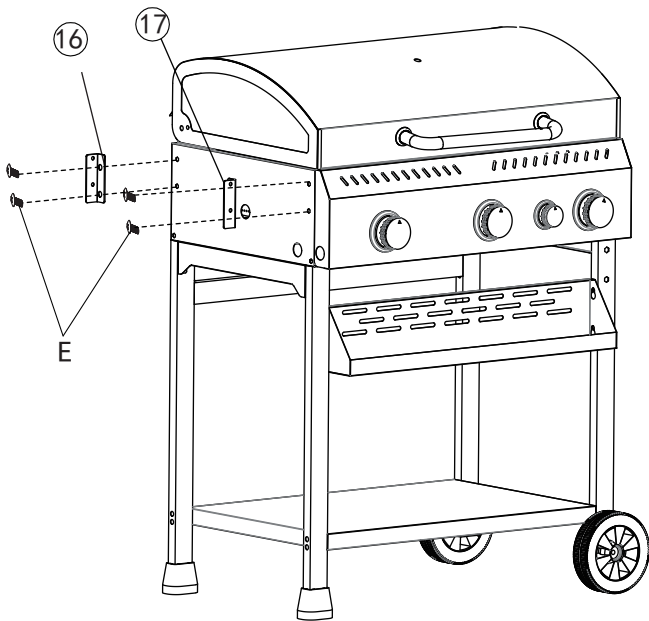


6

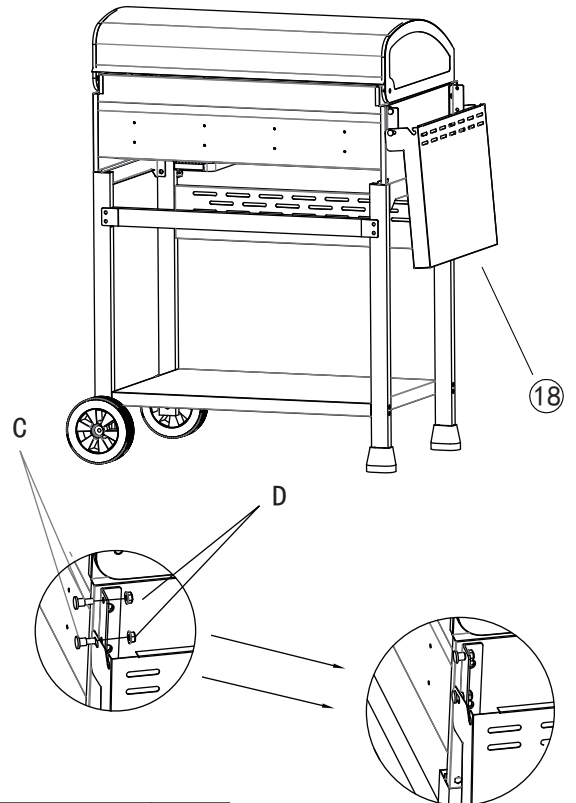




B		4PCS
---	---	------


7



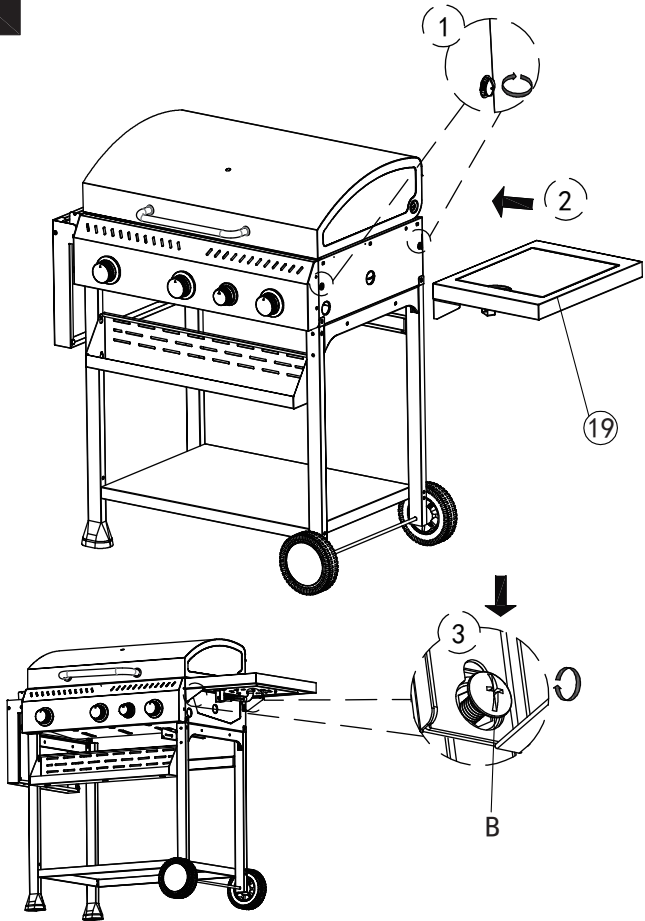
8



C		4PCS
D		4PCS

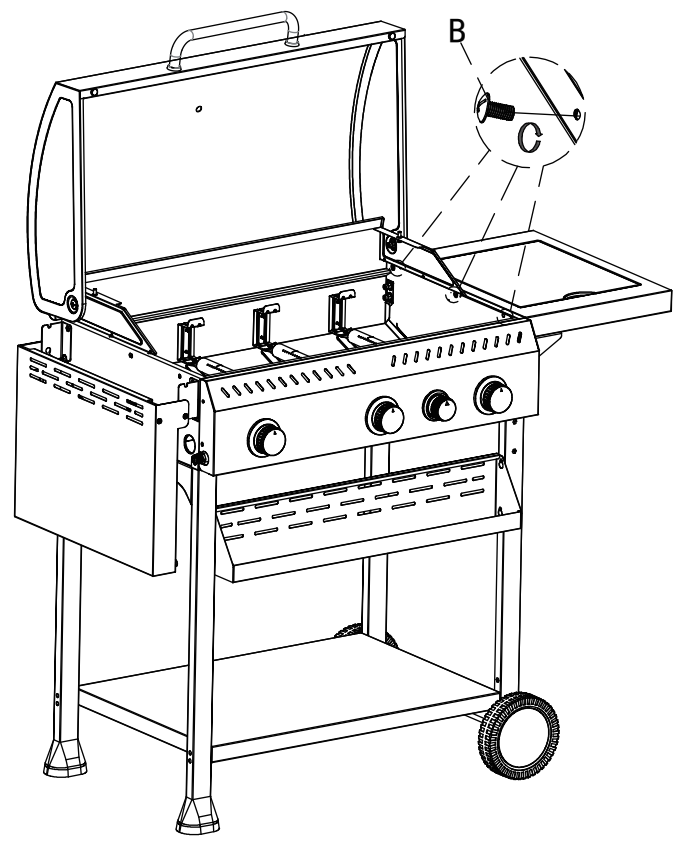
E		4PCS
---	---	------

9



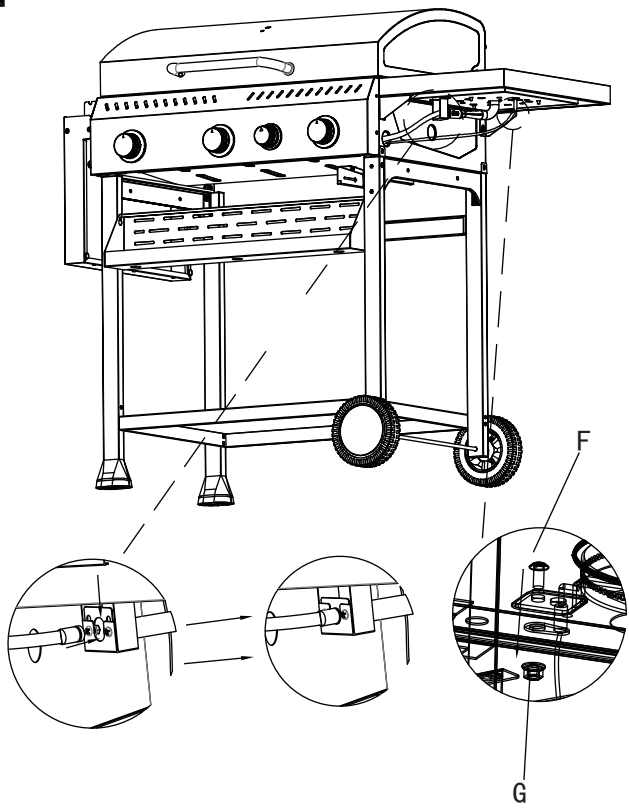
B		2PCS
---	--	------

10



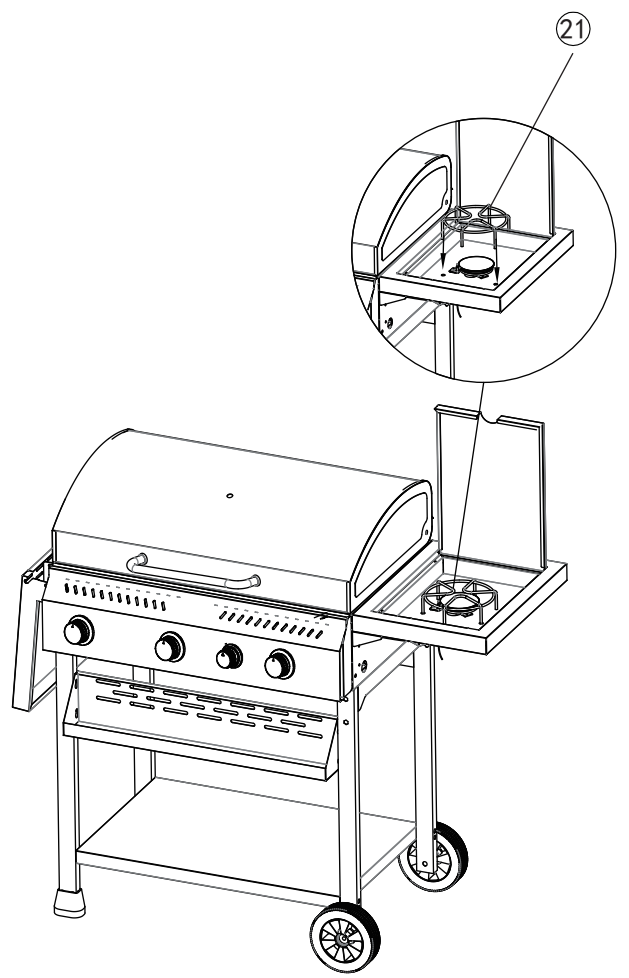
B		3PCS
---	--	------

11

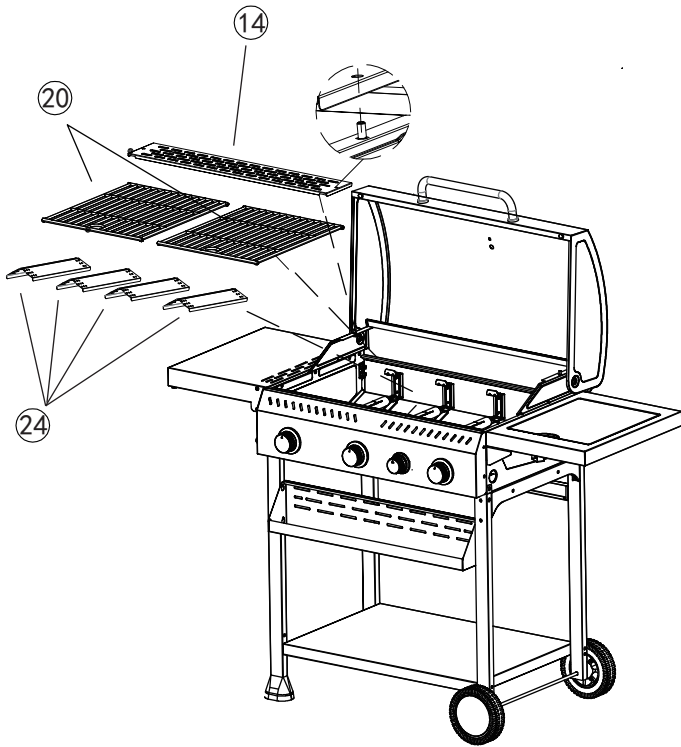


G		1PCS
F		1PCS

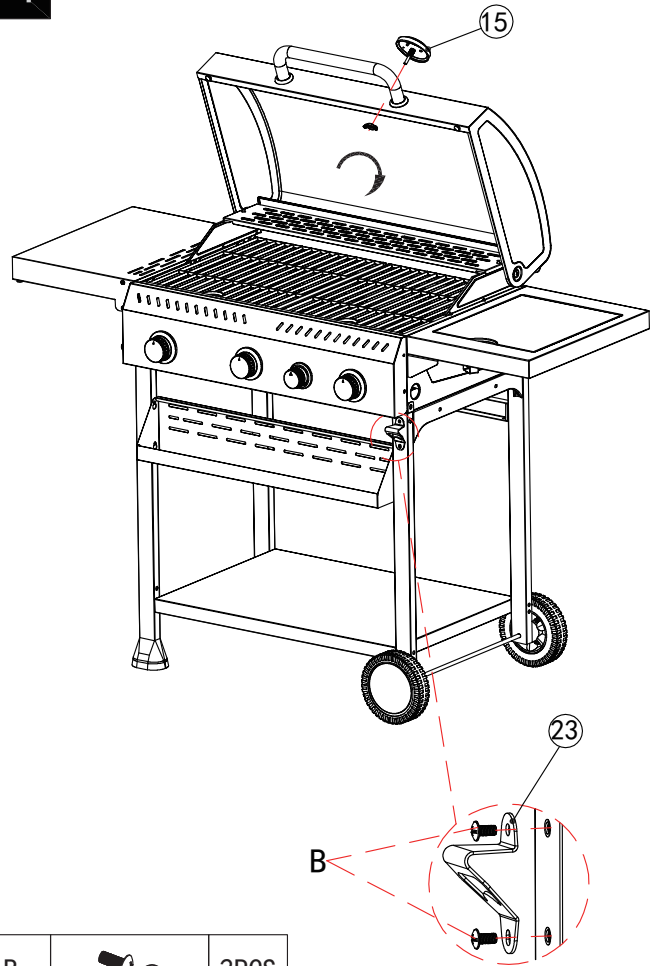
12



13



14

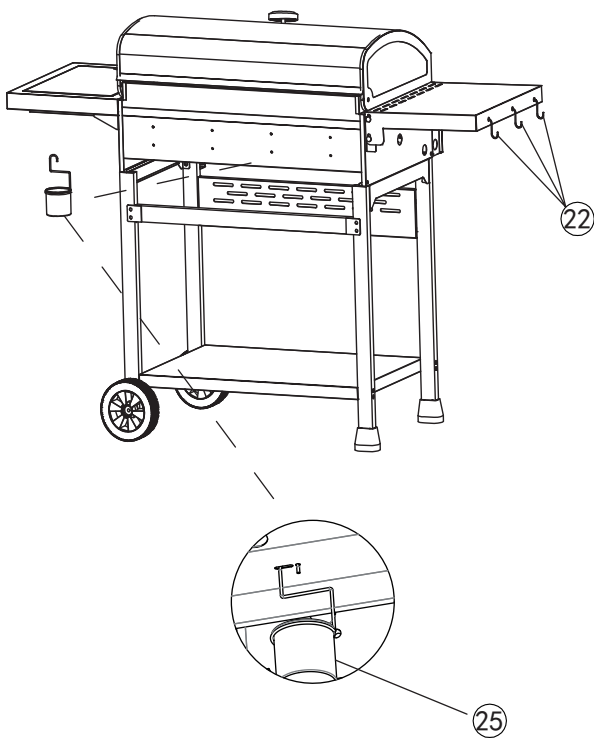


B



2PCS

15



UK

If you have any questions, please contact our customer care center.

Our contact details are below:



0044-800-240-4004



enquiries@mhstar.co.uk

IMPORTER ADDRESS:

MH STAR UK LTD
Unit 27, Perivale Park,
Horsenden lane South
Perivale, UB6 7RH
MADE IN CHINA

ES

Si tiene alguna pregunta, comuníquese con nuestro Centro de Atención al Cliente. Nuestros datos de contacto son los siguientes:



0034-931294512



atencioncliente@aosom.es

Importador/REP:

Spanish Aosom, S.L.
C/ Roc Gros, nº 15. 08550, Els Hostalets de Balenyà,
Spain.
B66295775
HECHO EN CHINA

FR

Si vous avez la moindre question, veuillez contacter notre centre d'assistance à la clientèle.

Nos coordonnées sont les suivantes:



0033-1-84166106



aosom@mhfrance.fr

Importé par/REP :

MH France
2, rue Maurice Hartmann
92130 Issy-les-Moulineaux
France
Fabriqué en Chine

PT

Se tiver alguma dúvida, por favor contacte o nosso Centro de Atendimento ao Cliente. Os nossos dados de contacto são os seguintes:



0034-931294512



info@aosom.pt.

IMPORTADOR:

SPANISH AOSOM, S.L
C.ROC GROS N.15, 08550. ELS HOSTALETES DE BALENYÀ
TEL: 931294512 (SEG-SEX DAS 7:30H ÀS 16:30H)
INFO@AOSOM.PT
FEITO NA CHINA

DE

Wenn Sie Fragen haben, wenden Sie sich bitte an unser Kundendienstzentrum.

Unsere Kontaktdaten stehen unten:



0049-0(40)-88307530



service@aosom.de

Importeur/REP :

MH Handel GmbH
Wendenstraße 309
D-20537 Hamburg
Germany
IN CHINA HERGESTELLT

IT

In caso di dubbio, si prega di contattare il nostro centro assistenza clienti. I nostri dettagli di contatto sono di seguito:



0039-0249471447



clienti@aosom.it

IMPORTATO DA/REP:

AOSOM Italy srl
Centro Direzionale Milanofiori
Strada 1 Palazzo F1
20057 Assago (MI)
P.I.: 08567220960
FATTO IN CINA

