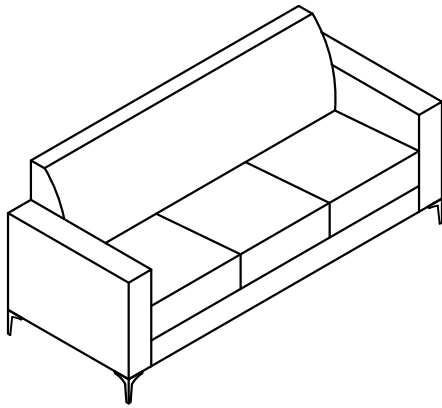
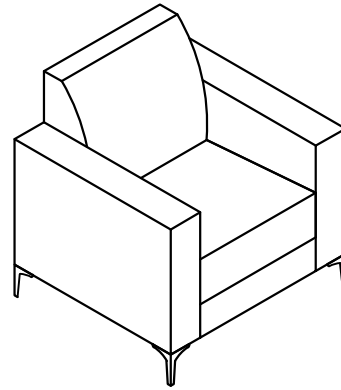


# Assembly Instructions



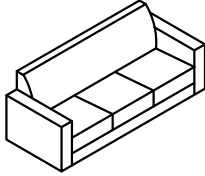
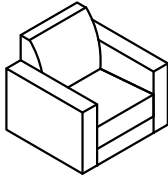
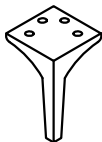
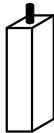

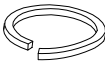

SOFA



CHAIR

REQUIRED TOOLS: (Included) · Wrench

PARTS:(Included)

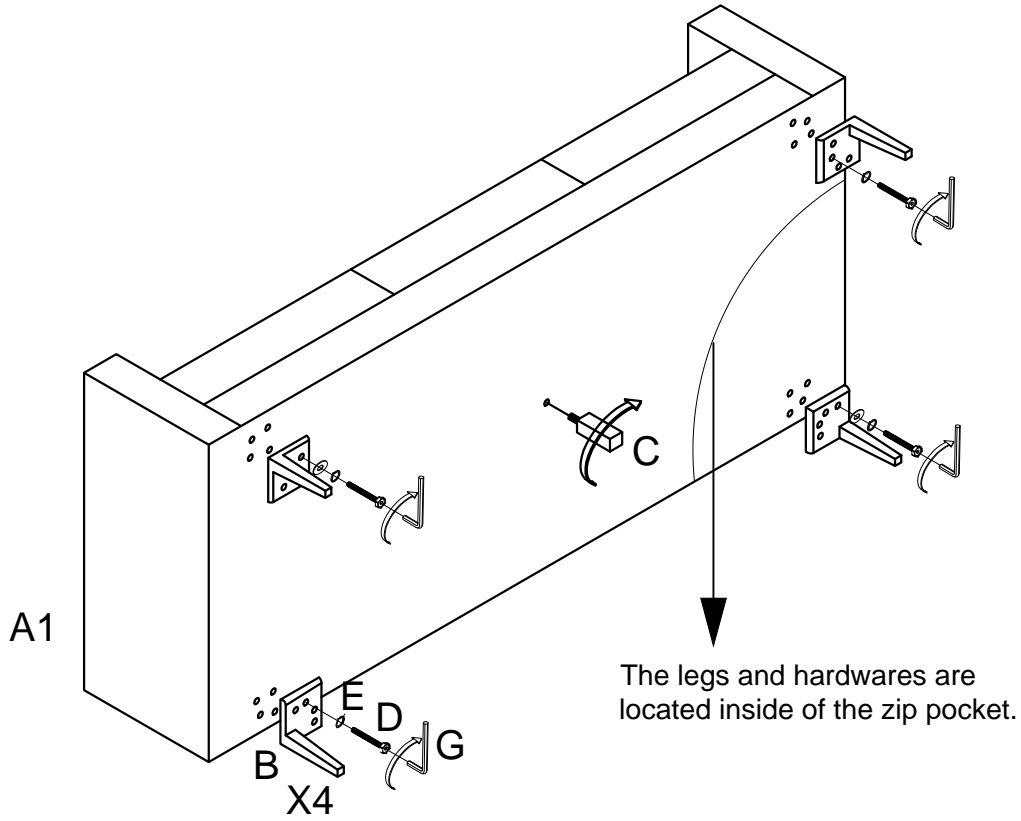
LABEL	DESCRIPTION	PICTURE	QTY
<b>A1</b>	SOFA ASSEMBLY		SOFA-1 PC
<b>A2</b>	CHAIR ASSEMBLY		CHAIR-1 PC
<b>B</b>	METAL LEG		SOFA- 4 PCS CHAIR-4 PCS
<b>C</b>	SUPPORT LEG		SOFA-1 PC
<b>D</b>	BOLT		SOFA-16 PCS CHAIR-16 PCS
<b>E</b>	SPRING WASHER		SOFA-16 PCS CHAIR-16 PCS
<b>F</b>	WRENCH		SOFA-1 PC CHAIR-1 PC

# Assembly Instructions

It is recommended to have 2 adults on hand for assembly.

Ensure that all bolts are tightened before use. Check and tighten all bolts periodically throughout use of the products.

## ( SOFA )



## ( CHAIR )

