

ASSEMBLY INSTRUCTIONS



CAUTION

◆ Inspect the wire insulation for any cuts, abrasions, or exposed copper that may have resulted during shipping. If there is a defect in the wire, do not attempt installation.

◆ Before starting installation of this fixture or removal of a previous fixture, disconnect the power by turning off the circuit breaker or by removing the fuse at the fuse box.

✉ If you need further assistance, please contact us.

TOOLS REQUIRED



Ladder



Safety glasses



Electrical tape



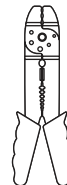
Phillips screwdriver



Flat blade screwdriver

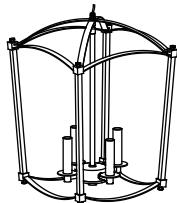


Pliers



Wire strippers

HARDWARE INCLUDED



Fixture



Fixture Finial



Chain



Canopy



Screw Collar Ring



Mounting Unit



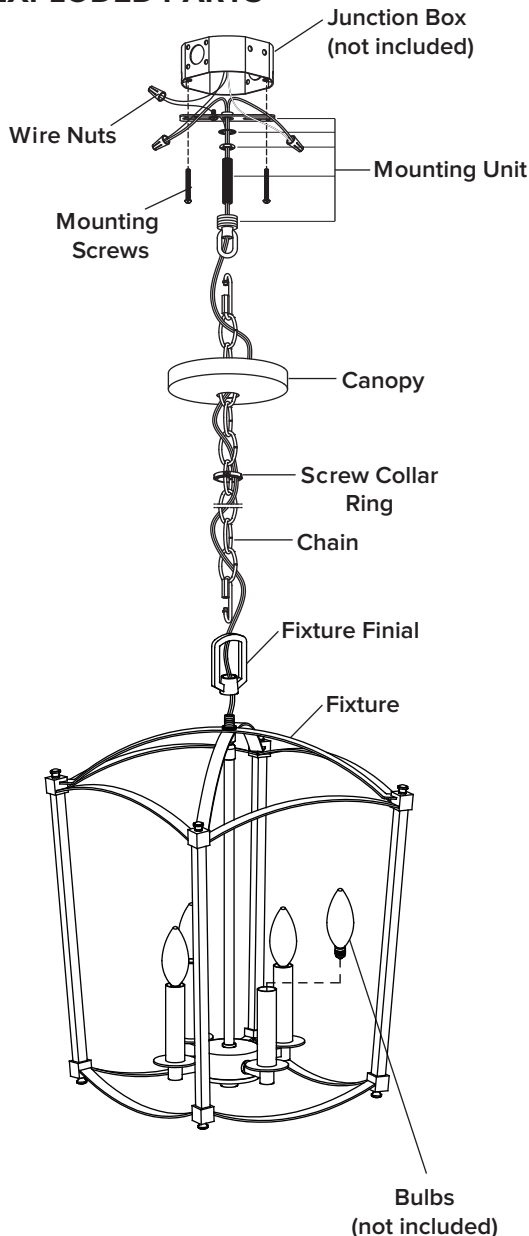
Mounting Screws



Wire Nuts

*PARTS SHOWN MAY DIFFER SLIGHTLY PER LIGHT FIXTURE

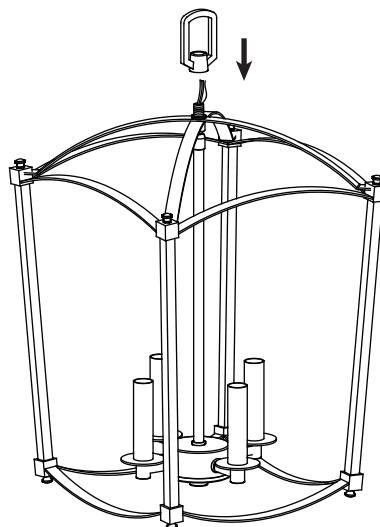
EXPLODED PARTS



INSTALLATION

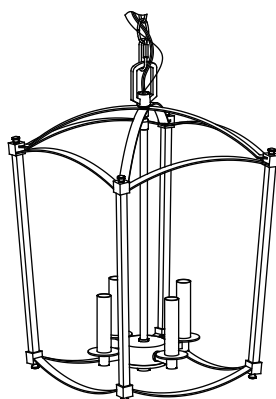
STEP 1

Attach the **Fixture Finial** onto **fixture**.



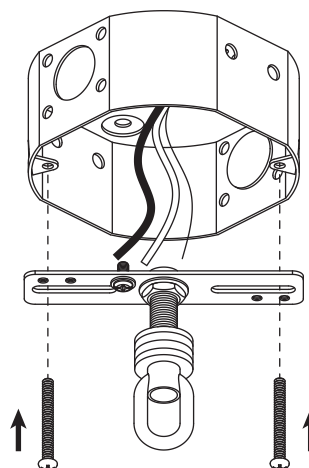
STEP 2

1. Choose the length of the **chain** you need (Open the chain using a phillips screwdriver (not included) and pliers (not included)).
2. Attach the end of the **chain** to the loop on the **fixture**.



STEP 3

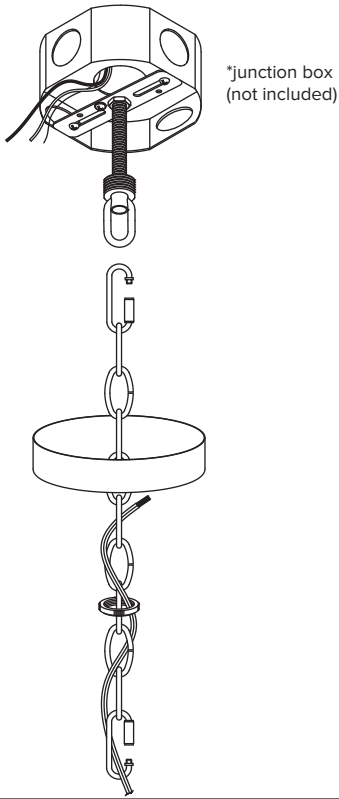
Use the **mounting screws** to attach the **mounting unit** to the **junction box** (not included).



ASSEMBLY INSTRUCTIONS (INSTALLATION)

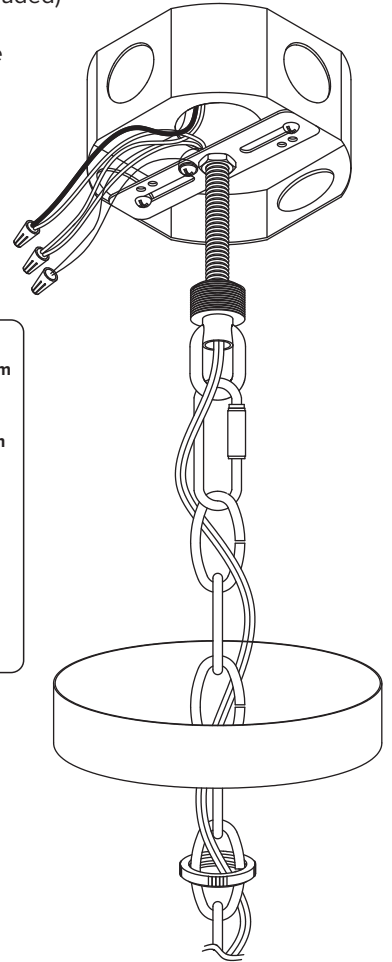
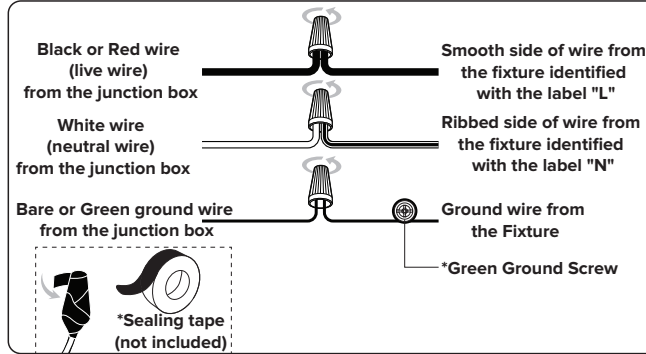
STEP 4

1. Pass the **chain** and the branch wires through the **screw collar ring** and **canopy**.
2. Attach the end of the **chain** to the **mounting unit**.
3. Feed the branch wires through the pipe nipple on the **mounting unit**.



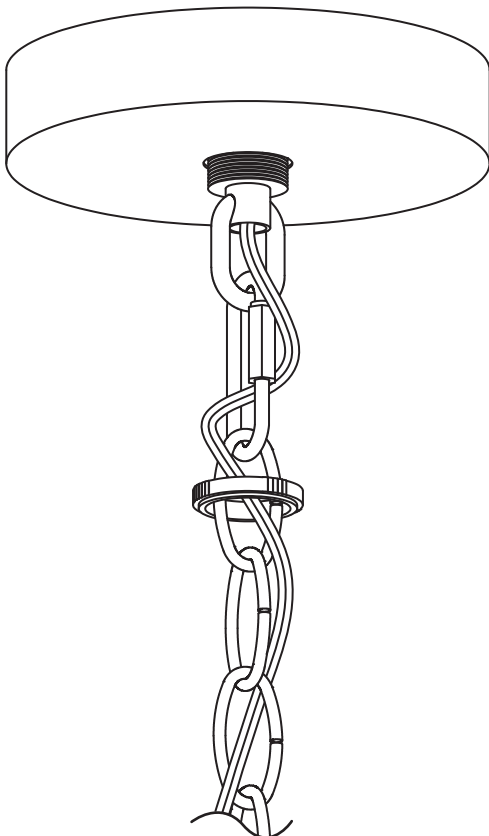
STEP 5

Make the electrical connection from the junction box (not included) to the **fixture**. Connect the ground wire to the **mounting unit** using the preinstalled green ground screw. Next, connect the live wire, neutral wire and ground wires with the supplied **wire nuts**. Secure with electrical tape.



STEP 6

Secure the **canopy** to the **mounting unit** with the **screw collar ring**.



STEP 7

Install bulbs (not included)

