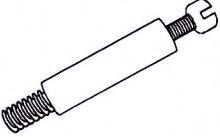
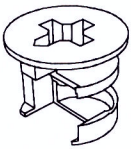
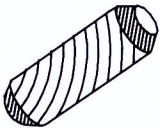
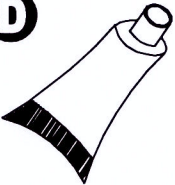




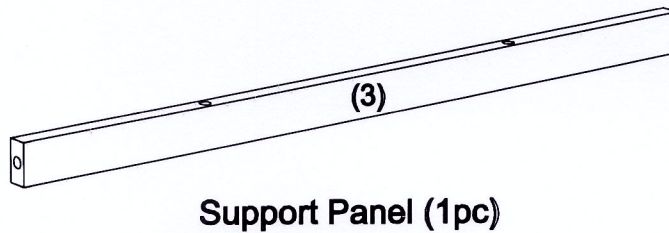
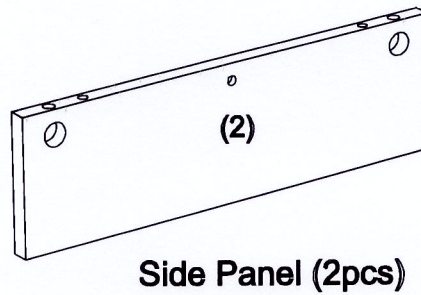
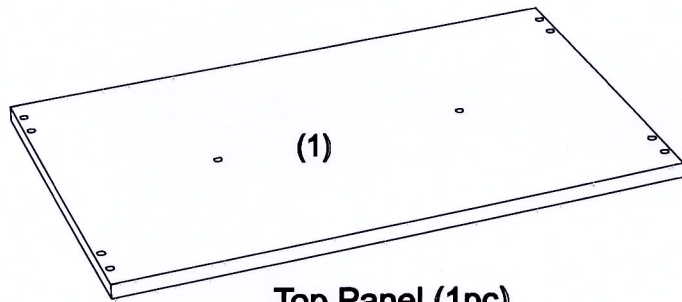
### **Assembly Instructions**

We have designed our furniture with you, the customer in mind. Our clear, easy to follow, step by step instructions will guide you through the project from start to finish. Feel confident that this will be a fun and rewarding project. The final product will be a quality piece of furniture that will go together smoothly and give years of enjoyment.

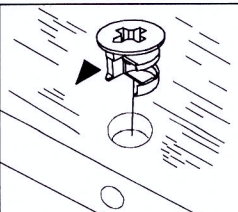
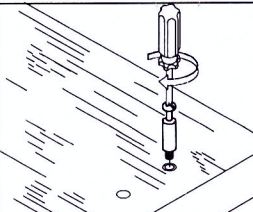
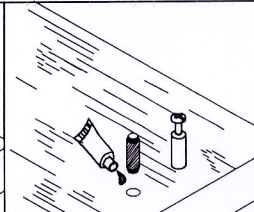
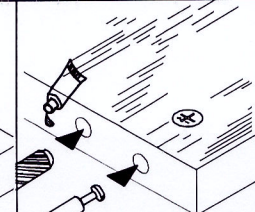
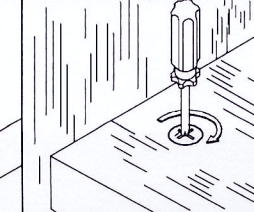
**Hardware List**

|          |   |
|----------|---|
| <b>A</b> |    |
|          | <b>Cam bolt (6pcs)</b>  |
| <b>B</b> |    |
|          | <b>Cam lock (6pcs)</b>  |
| <b>C</b> |  |
|          | <b>Wood dowel (6pcs)</b>  |
| <b>D</b> |  |
|          | <b>Glue (1pc)</b>   |

**Part List**

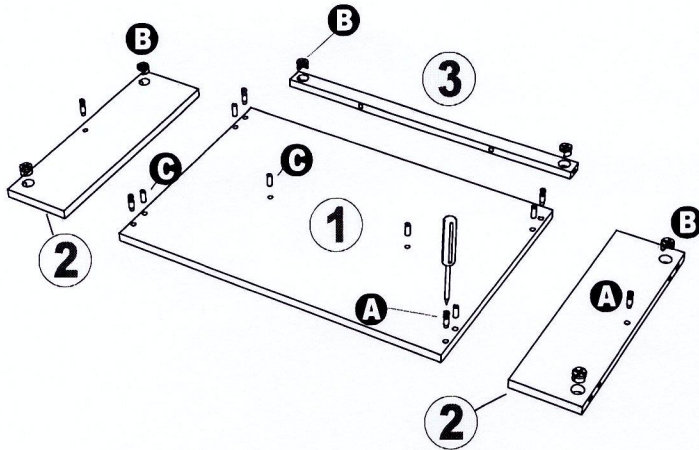


**Assembling the unit with camlocks and wood dowels.**

|   |   |   |  |   |
|---|---|---|--|---|
|  |  |  |  |  |
| Insert camlock, camlock must face bolt hole   | Gently screw cam dowel into the threaded anchor                                     | Lightly glue one end of wood dowel and tap into hole.                               | Lightly glue dowel and connect to second panel by inserting dowels into holes        | Gently screw the cam clockwise into locked position. Do not overtighten.              |

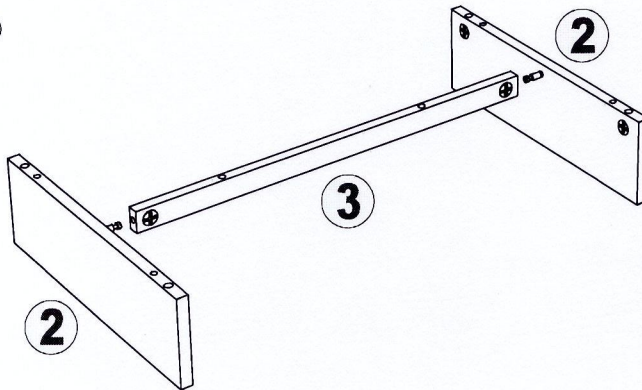
### step1

Attach hardware to panels as shown.



### step2

Connect two side panels (2) with support panel (3). Gently tighten camlocks.



### step3

1. Attach top panel (1) to unit and gently tighten camlocks.

2. Finish and enjoy!

